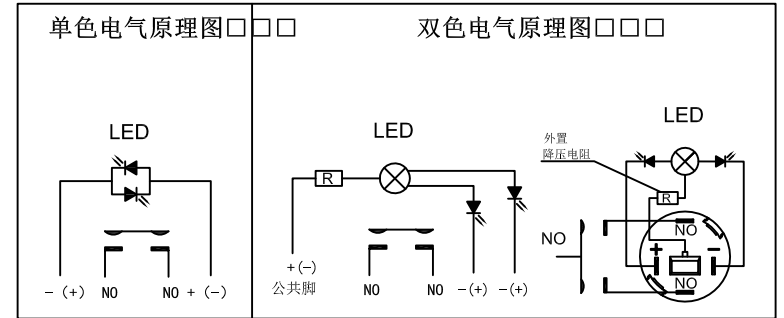
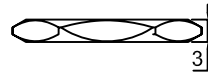
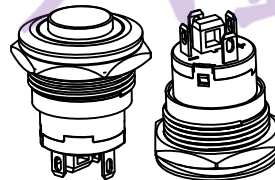
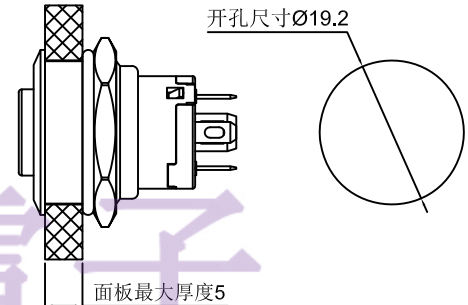


轴视图



安装视图



1. Rating : DC36V 3A.
2. Contact resistance : ≤50mΩ.
3. Insulation resistance : ≥1000MΩ (DC500V).
4. Withstanding voltage : 1500VAC .
5. Operating Force : ≤6N
6. life test : 100000 cycles.
7. Operation temperature range: -25°C~85°C.
8. Sign "*" is importance dimension.

发光类型: E环形 / DY电源符号 / D单点状 / E+DY环形+电源符号 / E+D环形+单点状
 发光颜色: R红 / G绿 / L蓝 / N黄 / W白 / O橙 / P紫
 灯电压: AC/DC: 3V/6V/12V/24V/36V/48V / AC: 60V/110V/220V

TEL: 0769-82310511-867

9	NO TERMINAL	BRASS	2	Ag-PLATED	TOLERANCE UNLESS SPECIFIED	ANGULAR ±1°	NO	DATE	REVISIONS	BY	APPD
8	LED TERMINAL	BRASS	2	Ag-PLATED							
7	CONTACT	SILVER ALLOY	2								
6	HOUSING	PA66	1	BLUE	<1.5: ±0.1mm						
5	NUT	BRASS	1	Ni-PLATED	>1.5~5.0: ±0.25mm						
4	O-RING	SILICA GEL	1	WHITE	>5.0: ±0.3mm						
3	SHELL	SUS/BRASS	1	Ni-PLATED	TITLE: PUSH SWITCH		UNIT : MM		ROHS	DWN	
2	BUTTON	SUS	1		MODEL: HY-19E-G10-N-E-G24V-SU-008		SCALE: 1:1		COMPLIANT	CHK'D	
1	LIGHT-EMITTING REGION	PC	1		东莞市六钧电子五金有限公司		APPD		PRO.AGL: REV :A0		
NO.	PART NAME	MATERIAL	QTY	FINISHING							