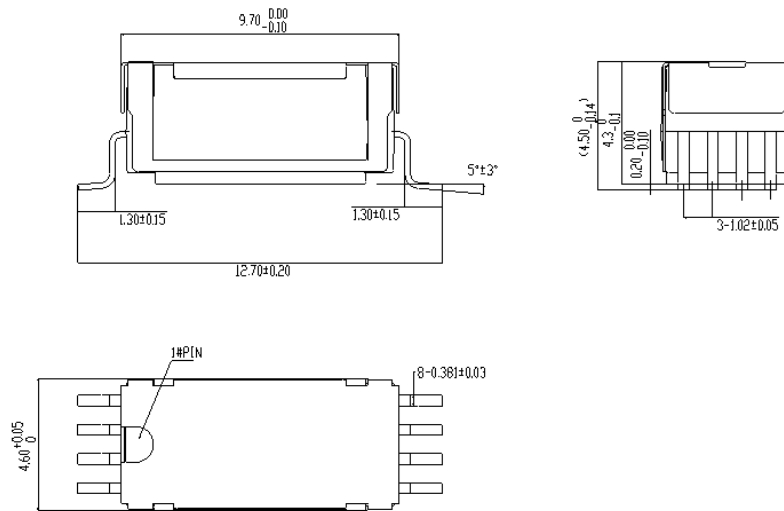


SMD-105GP

- Hermetically sealed for long life
- Low Contact Resistance
- Excellent Lifetime Characteristics
- Custom Design Available

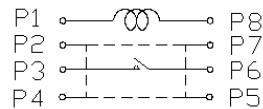
[Outline Dimension]

Unit: mm Scale: 1/1



[Pin Layout]

[Wiring Diagrams (Top View)]



Order Information

SMD-105GP

Coil Parameters		Relay Parameters	
1 Nominal coil voltage	5 VDC	1 Min Breakdown Voltage	210 VDC
2 Max Operating voltage	8 VDC	2 Dielectric Strength contact/shield	1.5K VDC
3 Max Pull-in voltage	3.85 VDC	Dielectric Strength coil/contact	1.5K VDC
4 Min Drop-out voltage	0.4 VDC	3 Insulation Resistance Open contact	1.00E+12ohm
5 Coil Resistance	150 ohm	4 Operate Time, incl. Bounce	0.25ms
Contact Parameters		5 Reset Time	0.05ms
1 Contact Form	1 Form A	6 Capacitance Across Contacts	0.2pF
2 Max Contact Rating	10 W	7 Storage Temperature	-20~+85°C
3 Max Switch Voltage	170VDC/120VAC	8 Operating Temperature	-35~+100°C
4 Max Switch Current	0.5 A	9 Soldering Temperature	5 sec. max 260°C
5 Max Carrying Current	1.0 A		
6 Min Breakdown Voltage	210 VDC		
7 Max Contact Resistance	150 mohm		

Version: 01

Designed by

Checked by

Approved by

Date

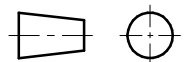
29th, Apr, 2025

TITLE

High Voltage Reed Relay

P/N

SMD-105GP



Scale: 1:1

Page: 1/1