

SMD Seam Crystal Units 1.6x1.2 x0.33mm Series



Features

- Extremely small SMD type crystal units.
- Application for smart phone, sip module , variety of compact portable consumer products reference clocks.
- High reliable environmental performance



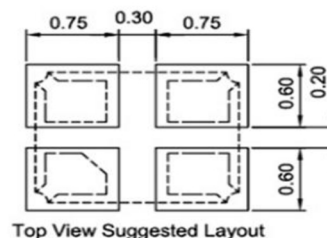
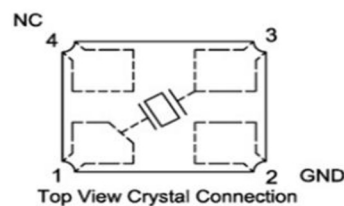
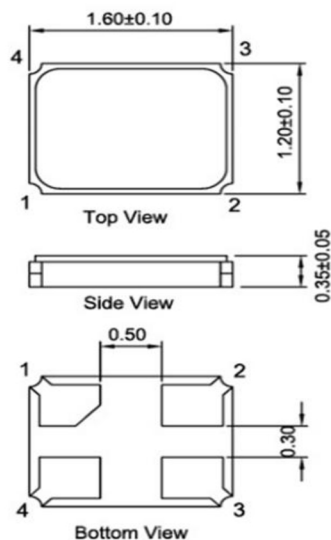
Electrical Specifications

Item / Type	
Frequency Range 频率范围	30.00 ~ 54.00MHz
Frequency Tolerance (at 25 °c) 调频偏差	± 10 ppm ± 20 ppm, or specify
Frequency Stability 频率温度特性	± 10 ppm ± 20 ppm, or specify
Operating Temperature Range 工作温度	-40 ~ +85 °c -40 ~ +105 °c, or specify
Shunt Capacitance (C0) 静态电容	3 pF Max. (2 pF typical)
Drive Level 激励功率	10 μW~200μW (Max 100 μW)
Load Capacitance 负载电容	8 pF, 9pF 10 pF 12 pF, or specify
Aging (at 25 °c) 老化率	± 3 ppm year Max.
Storage Temperature Range 存储温度	- 5 5 ~ + 125 °c

Equivalent Series Resistance(ESR)

Fundamental			
30.0 ~ 60 MHz	80 Ω Max.	30.0 ~ 60 MHz	80 Ω Max.

Dimensions



Units: mm