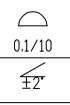
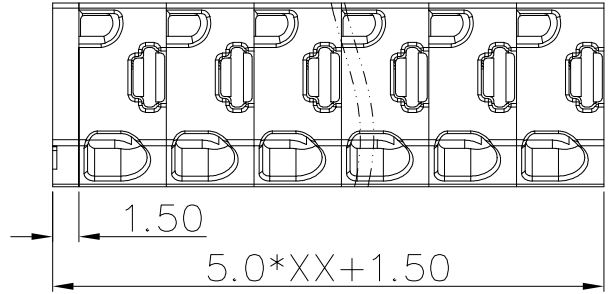


未注公差/General tolerances(mm)													
0	>3	>6	>10	>18	>30	>50	>80	>120	>180	>250	>315	>400	>500
~	~	~	~	~	~	~	~	~	~	~	~	~	~
3	6	10	18	30	50	80	120	180	250	315	400	500	>500
±0.12	±0.18	±0.22	±0.26	±0.31	±0.37	±0.57	±0.80	±0.93	±1.05	±1.15	±1.60	±2.20	±2.50



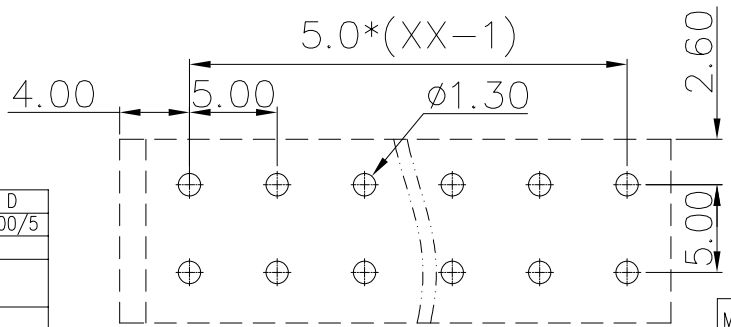
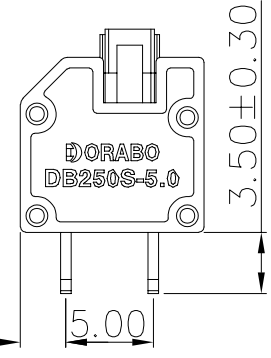
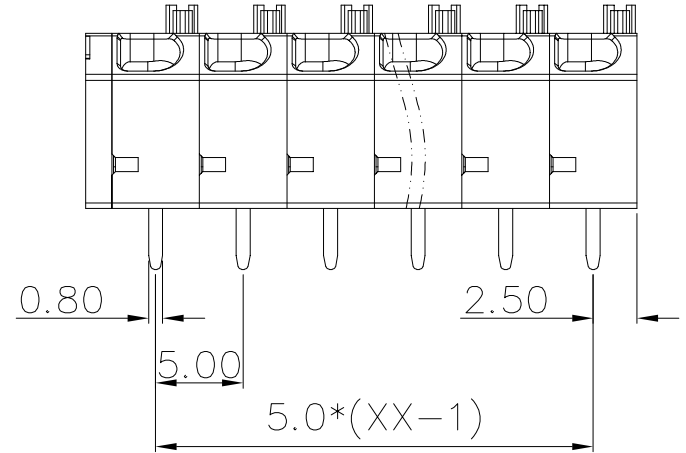
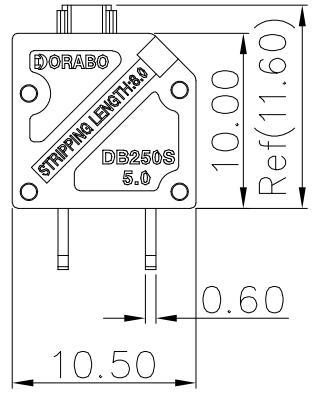
REV	ECN	DESCRIPTION	DRFT	DATE



DB250S — 5.0 — XXP — C

(Series No.) (Pitch) (Poles)

(Color):GN:(Green), BK:(Black), BU:(Blue), RD:(Red), GY:(Gray)
OG:(Orange), WT:(White), YL:(Yellow), CR:(Clear)



UL 标准/UL Standard:	B	C	D
额定电压/电流/Rated Voltage(V)/Current(A)	300/10	/	300/5
IEC 标准/IEC Standard:			
过压类别/Overvoltage Category/污染等级/Pollution Degree	III/2		
额定电压/电流/Rated Voltage(V)/Current(A)	300/10		
额定脉冲电压(KV)/Rate Impulse Voltage(KV)	4.0		
螺丝扭矩/Torque Tightening(N·m/Lb.in)	/		
线径范围(硬线和软线)/Wire Range(rigid and flexible)(mm ² /AWG)	0.2~2.5/26~14		
间距/Pitch(mm)/线数范围/Poles	5.0/XX=02~24P		
剥线长度/Stripping length(mm)	8~9		
使用温度范围/Operating temperature(°C)	-40~+105		
符合RoHS环保要求/Conform to RoHS	Yes		

NAME OF PART	MATERIAL	NOTES
Spring	Stainless Steel	/
Conductor	Copper alloy	Sn Plated
Button	PA66	UL94V-0
Insulator	PA66	UL94V-0

MAT NO.:	/
STATUS:	/
APPD:	MARK 2024.10.26
CHKD:	MARK 2024.10.26
DRFT:	MARK 2024.10.26
SIZE:	A4

DORABO 宁波地博电气有限公司
NINGBO DORABO ELECTRICAL CO., LTD

NAME: DB250S-5.0-XXP-C

DRAWING NO.:	/	REV	MO
TYPE: CUSTOMER_DRAWING	SCALE:	SHEET	1/1