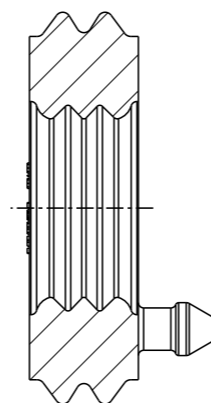
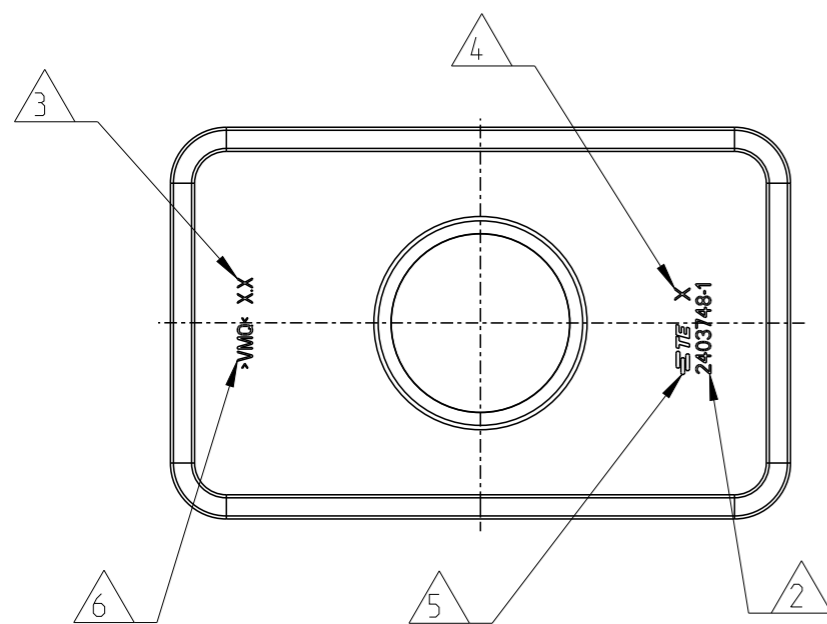
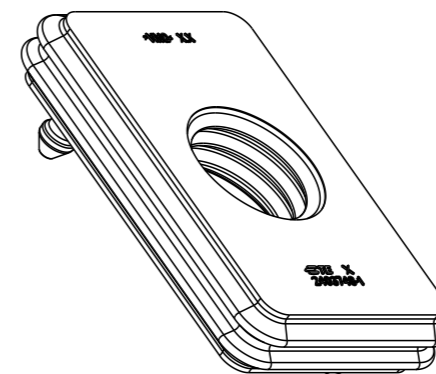


REVISIONS

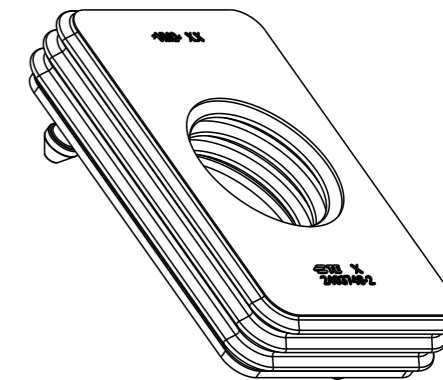
P	LTR	DESCRIPTION	DATE	DWN	APVD
1		INITIAL RELEASED	27MAR2022	S.Y	E.J
2		ECN-22-146320	29MAR2022	S.Y	E.J
A		ECN-22-164908	15JUL2022	S.Y	E.J
A1		ECN-22-172947	05SEP2022	S.Y	E.J



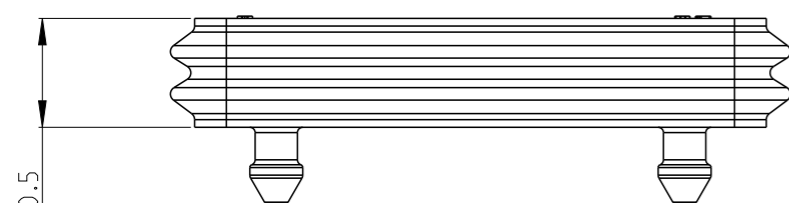
SECTION A-A



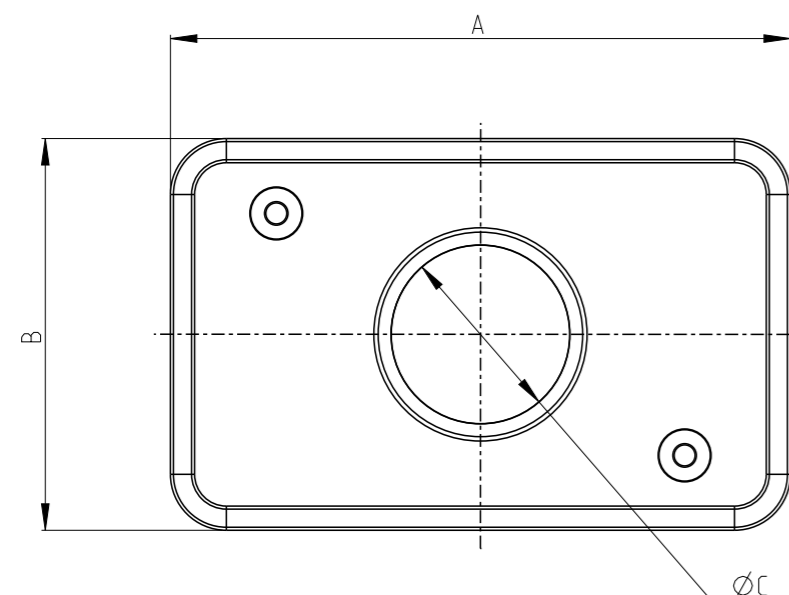
2403748-1/-4



2403748-2/-3



7.5±0.5



1 IN CASE OF DISCREPANCIES BETWEEN GERMAN AND ENGLISH TEXT THE GERMAN TEXT IS BINDING

- 2 TE PART NUMBER
- 3 CAVITY MARKING IF MULTIPLE CAVITY TOOL
- 4 PART REVISION
- 5 TE-TRADEMARK
- 6 MATERIAL MARKING ACC TO VDA 260

7 BULK PACKAGING IN PLASTIC BAG AND CORRUGATED SHIPPING BOX

2403748-4	BROWN	41.00 ±0.50	25.9 ±0.50	9.6 ±0.30	SILICONE	7.5	25mm <sup>2</sup> CABLE SEAL 180DEG	11.6~12.2MM
2403748-3	GREEN	40.05 ±0.50	25.3 ±0.50	16.4 ±0.30		6.0	70mm <sup>2</sup> CABLE SEAL 180DEG	17.4~18.2MM
2403748-2	GRAY	40.05 ±0.50	25.3 ±0.50	14.0 ±0.30		6.5	50mm <sup>2</sup> CABLE SEAL 180DEG	15.2~15.8MM
2403748-1	BLUE	41.00 ±0.50	25.9 ±0.50	11.8 ±0.30		7.1	35mm <sup>2</sup> CABLE SEAL 180DEG	13.8~14.4MM
PART NO	COLOR	A	B	C	MATERIAL NO	WEIGHT(g)	DESCRIPTION	CABLE DIAM.

THIS DRAWING IS A CONTROLLED DOCUMENT.

DIMENSIONS:		TOLERANCES UNLESS OTHERWISE SPECIFIED:	
mm			
0 PLC	±	±	
1 PLC	±0.1	±0.1	
2 PLC	±0.01	±0.01	
3 PLC	±0.001	±0.001	
4 PLC	±0.0001	±0.0001	
ANGLES	±	±	
MATERIAL	-	FINISH	-

DWN	S.YANG	30MAR2022
CHK	F.MA	30MAR2022
APVD	F.JIANG	30MAR2022
PRODUCT SPEC	108-160494	
APPLICATION SPEC	114-160272	
WEIGHT	-	



NAME				HVCSJ1800 PLUG 180DEG CABLE SEAL			
SIZE	CAGE CODE	DRAWING NO	RESTRICTED TO				
A3	00779	©=2403748	-				