

4

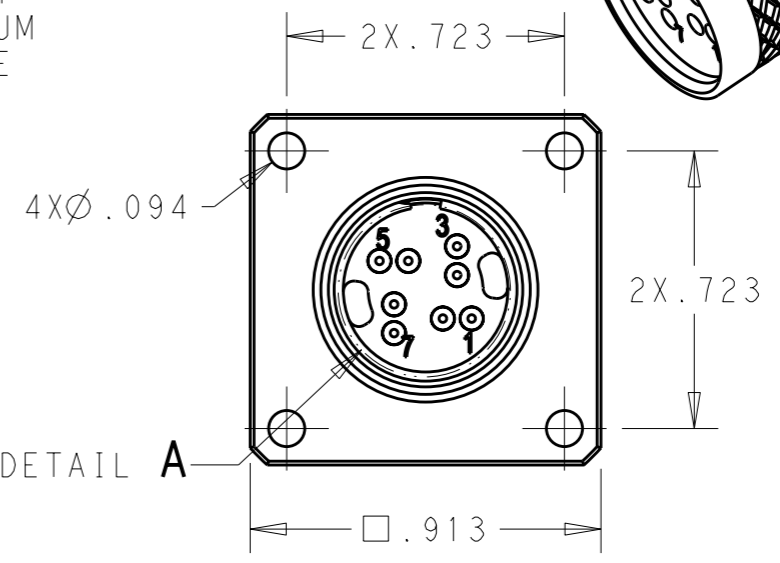
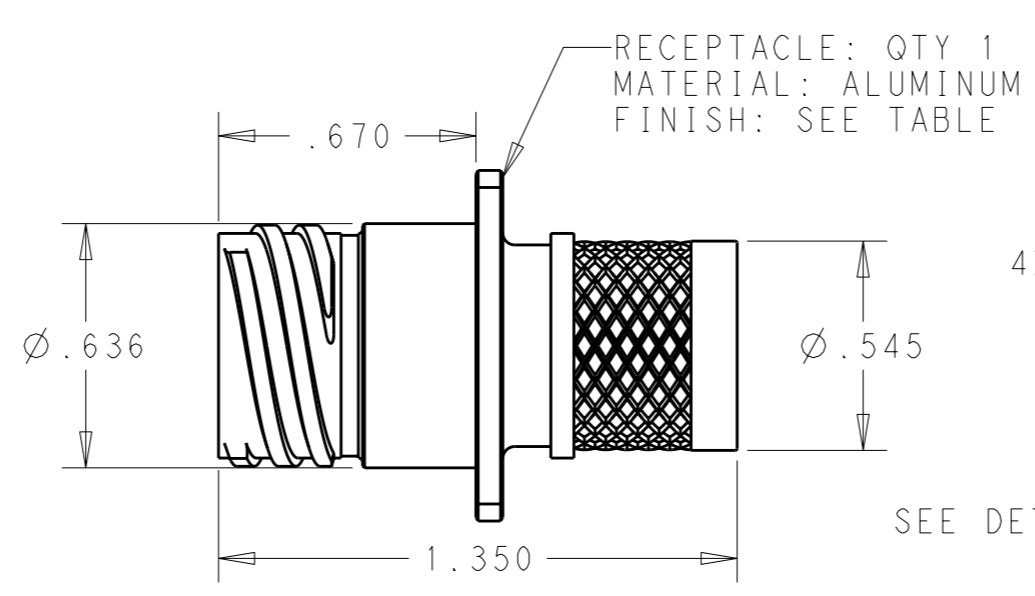
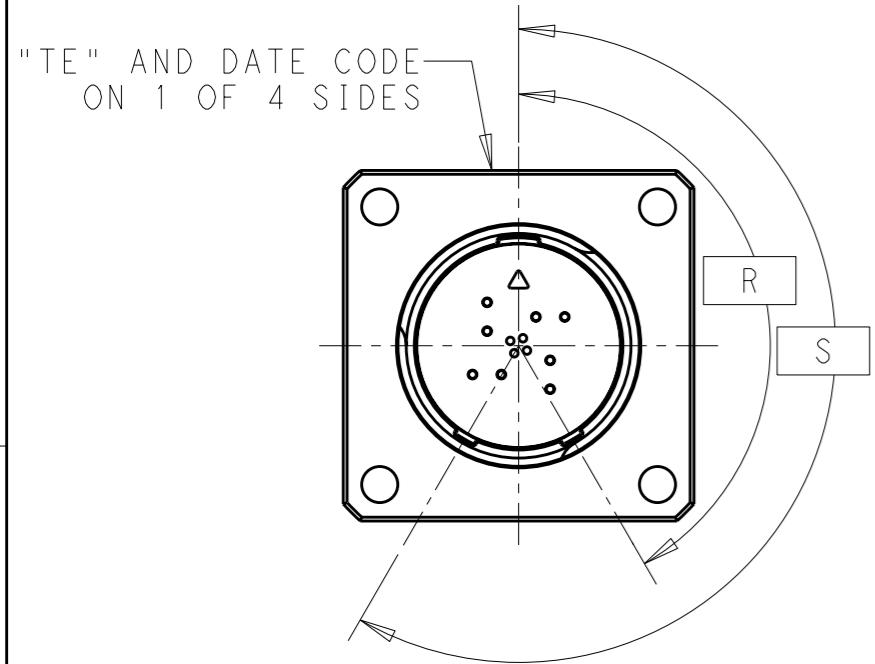
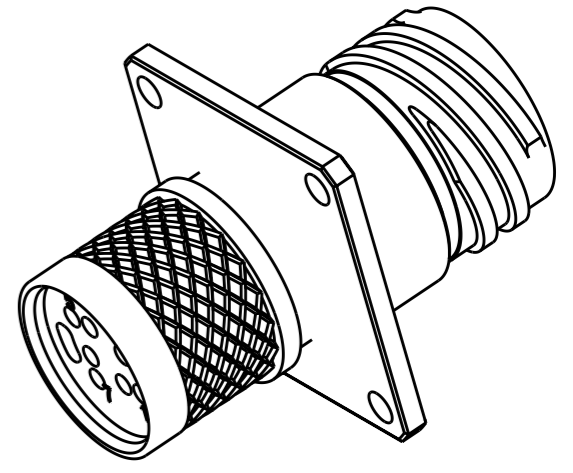
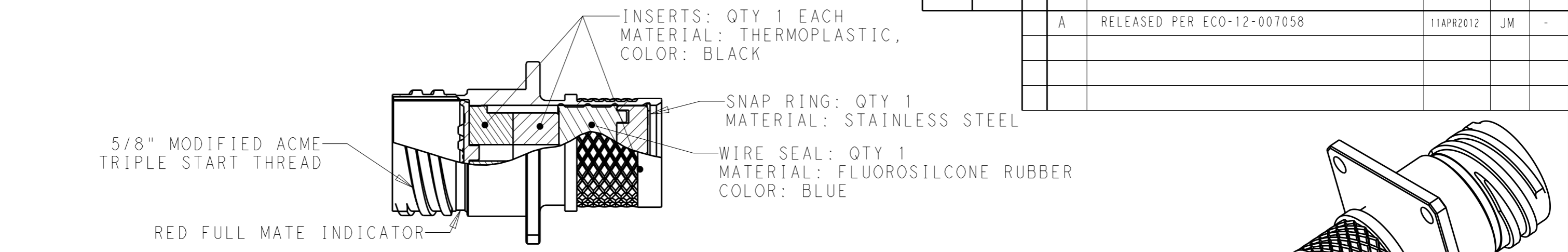
3

2

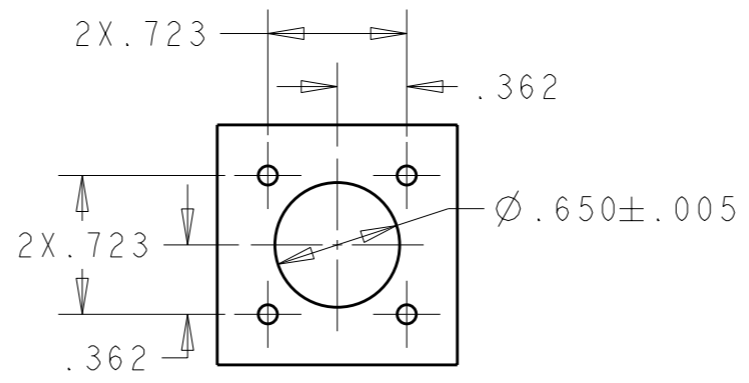
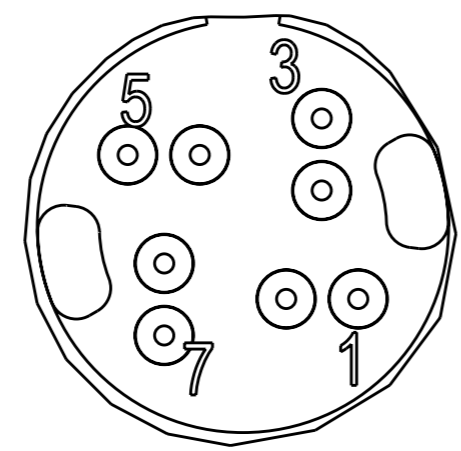
1

THIS DRAWING IS UNPUBLISHED. RELEASED FOR PUBLICATION 20
 © COPYRIGHT 2011 BY - ALL RIGHTS RESERVED.

LOC		DIST		REVISIONS			
P	LTR	DESCRIPTION		DATE	DWN	APVD	
-	-	A		RELEASED PER ECO-12-007058	11APR2012	JM	-



KEY OPTION	KEY ROTATION	
	"R"	"S"
NORMAL	150°	210°
A	140°	215°
B	132°	248°



KEYING OPTION	FINISH	PART NUMBER
B	BLACK ZINC NICKLE PLATE	2102342-6
B	NICKLE PLATE	2102342-5
A	BLACK ZINC NICKLE PLATE	2102342-4
A	NICKLE PLATE	2102342-3
NORMAL	BLACK ZINC NICKLE PLATE	2102342-2
NORMAL	NICKLE PLATE	2102342-1

MAX. PANEL THICKNESS 1/4"

DETAIL A
 SCALE 5:1

- NOTES:
- 1, -3 AND -5 ARE ELECTROLESS NICKEL PLATE PER MIL-C-26074.
 - 2, -4 AND -6 ARE BLACK ZINC NICKEL PER AMS-2417.

THIS DRAWING IS A CONTROLLED DOCUMENT.		DWN 15DEC2011 MCKIBBEN, JOHN		TE Connectivity	
DIMENSIONS: INCH		CHK 15DEC2011 DOWHOWER, KENNETH			
TOLERANCES UNLESS OTHERWISE SPECIFIED:		APVD 15DEC2011		NAME RECEPTACLE ASSEMBLY	
0 PLC ±.1		PRODUCT SPEC 108-2482		SIZE CAGE CODE DRAWING NO RESTRICTED TO	
1 PLC ±.02		APPLICATION SPEC 114-32025		A300779 C-2102342	
2 PLC ±.005		WEIGHT -		SCALE 2:1 SHEET 1 OF 1 REV A	
3 PLC ±.0005		CUSTOMER DRAWING			
4 PLC ±.0005					
ANGLES ±.					
FINISH -					