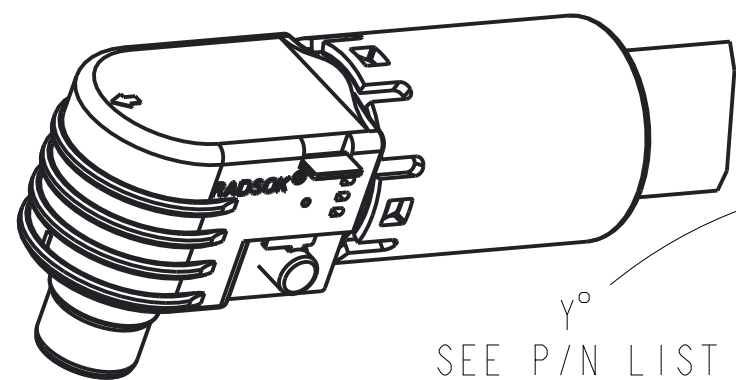


GENERAL TOLERANCE

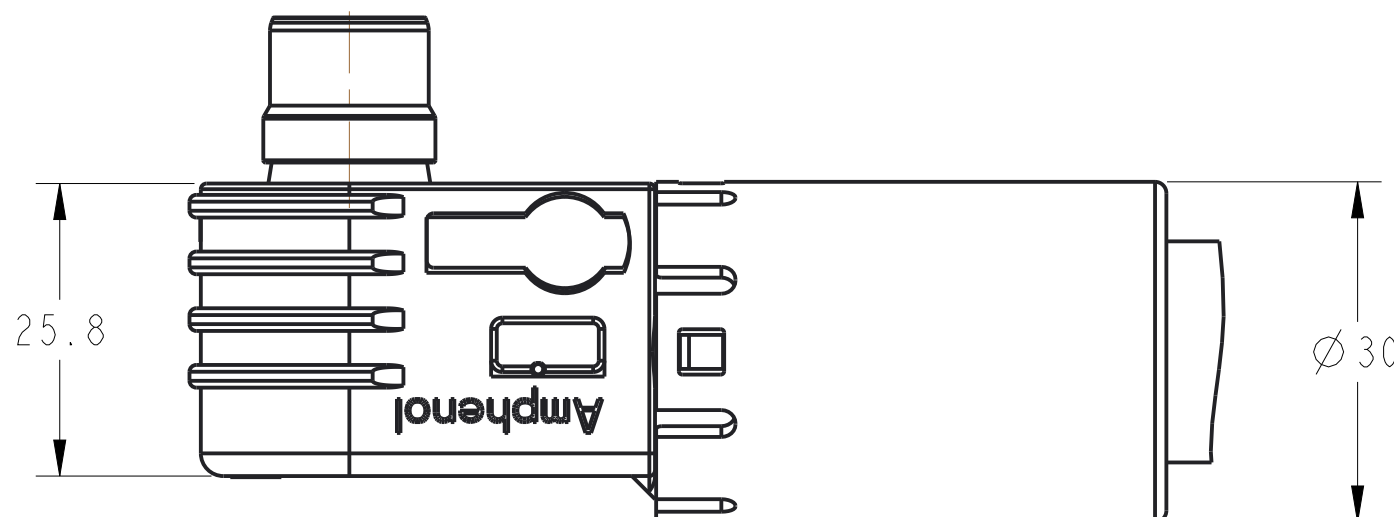
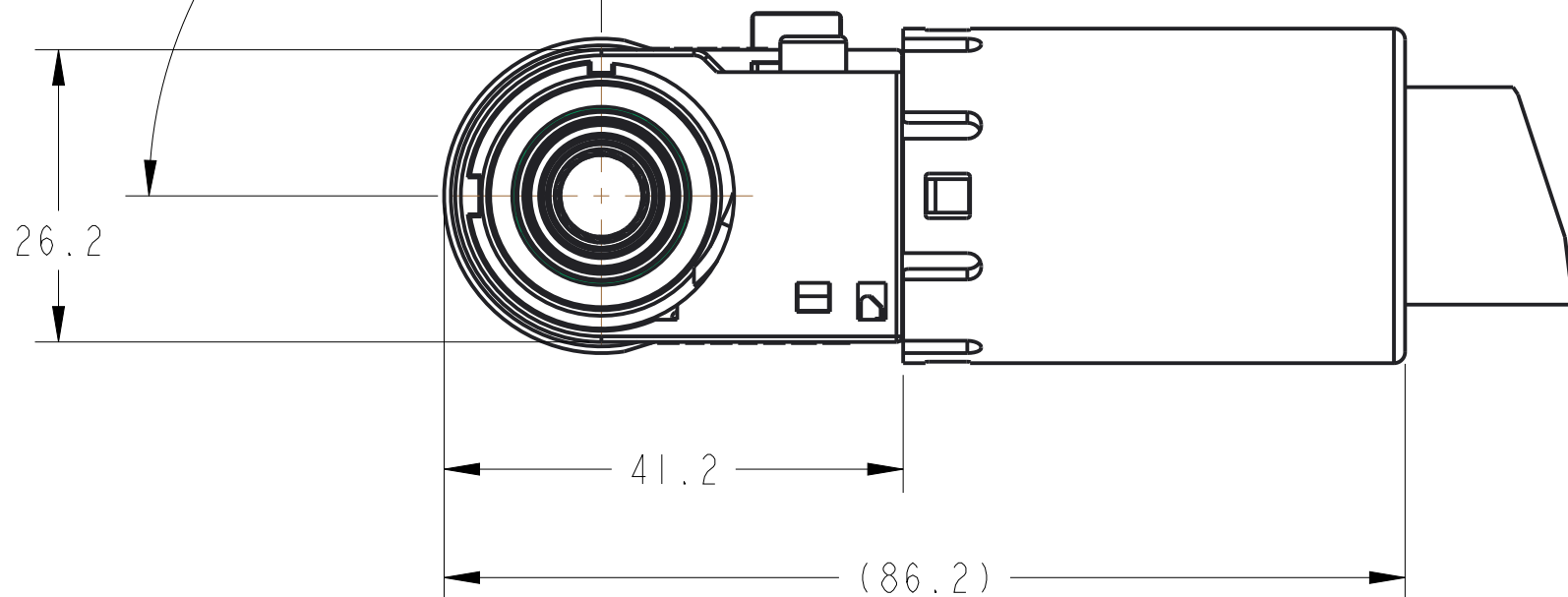
DIM. RANGE	0.5 ~ 3	> 3 ~ 6	> 6 ~ 30	> 30 ~ 120	> 120 ~ 400
TOLERANCE	±0.1	±0.1	±0.2	±0.3	±0.5

CUSTOMER DRAWING

REVISIONS		
REV	DESCRIPTION	DATE
A	PREMININARY REVISION	2016-07-06



SEE P/N LIST
CLOCKWISE



MFG PART NUMBER: C10-738728-() () () ()

BASE NUMBER

COLOR OF BUTTON, SEE TABLE

WIRE SIZE, SEE TABLE

SEALING, SEE TABLE

KEYWAY, SEE TABLE

CODE NUMBER REFERENCE: SLPPB() B () () () E H

BASE NUMBER

WIRE SIZE, SEE TABLE

WITH BACKSHELL

SEALING, SEE TABLE

COLOR OF BUTTON, SEE TABLE

KEYWAY, SEE TABLE

EMI

HVIL

ITEM	DESCRIPTION	CODE NUMBER	MFG NUMBER
COLOR OF BUTTON	ORANGE	1	O
	BLACK	2	B
	RED	3	R
WIRE SIZE	70 MM ²	7	70
	50 MM ²	5	50
	35 MM ²	3	35
SEALING	IP 67	0	S
	NO SEALING	1	N
KEYWAY (Y°)	90°	0	0
	270°	1	1
	60°	2	2
	120°	3	3
	150°	4	4

SPECIFICATIONS

CURRENT RATING	250 Amps MAX (C10-738728-X7XX) 200 Amps MAX (C10-738728-X5XX) 150 Amps MAX (C10-738728-X3XX)
OPERATING VOLTAGE	1000V DC/AC
OPERATING TEMPERATURE	-40°C - 125°C
PROTECTION CLASS	IP67 (MATED)

NOTES:
1. THE REFERENCED PRODUCT IS IN COMPLIANCE WITH THE MAXIMUM CONCENTRATION VALUES(MCVS) AS SET BY ROHS 2.0 DIRECTIVE 2011/65/EU AND ANNEX II AMENDMENT DIRECTIVE (EU)2015/863.

THIS DOCUMENT CONTAINS PROPRIETARY INFORMATION AND SUCH INFORMATION MAY NOT BE DISCLOSED TO OTHERS FOR ANY PURPOSE OR USED FOR MANUFACTURING PURPOSES WITHOUT WRITTEN PERMISSION FROM THE AMPHENOL CORP.

N/A	PRO/ENGINEER INFORMATION
NEXT ASSEMBLY	Pro/e Model Used:
METRIC DOCUMENT	C10-738728.PLUG.ASSEM
	Drawing Name:
	C10-738728-ABROAD

UNLESS OTHERWISE SPECIFIED	SPECIFICATIONS	POS	QTY	PART NUMBER	DESCRIPTION	NOTE	
LINEAR DIMENSIONS ARE IN: MILLIMETERS TOLERANCES: ANGLES= ±2° DEFAULT LINEAR TOLERANCES SEE TABLE	MATERIAL SPEC. N/A				AMPHENOL INDUSTRIAL OPERATIONS Amphenol Technology(Zhuhai)Co.,Ltd No.63, Xinghan Road, Sanzao Town, Jinwan, Zhuhai, PRC 8.0MM SURLOK PLUS WITH EMI, PLUG		
DIM. & TOL. PER ASME Y14.5M-1994; DRM PER MIL-DTL-31000; OTHER AMPHENOL STANDARDS: 9-9318	PROCESS SPEC. N/A	APPROVALS	DATE				
LEGENDS: △=FLAG NOTE CALL OUT REFERENCE ONLY		PREPARED BY: GRACE YANG	JUL-06-17				
		ENGINEER IN CHARGE: EVANS JIANG					
		DESIGN MANAGER: ROB WENG					
		DESIGN ACTIVITY GROUP: C&I					
		THIRD ANGLE PROJECTION					
				SIZE C	CAGE CODE 77820	DOCUMENT NO. C10-738728-()	REV. A
				SCALE: 1:5	REF. N/A	SHEET 1 OF 1	

DOCUMENT NO. C10-738728-()
 SHEET 1 OF 1
 REV. A
 C
 B
 A

D
 C
 A
 SHEET 1 OF 1
 DOCUMENT NO. C10-738728-()