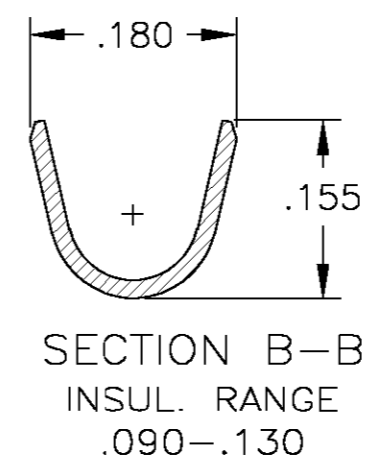
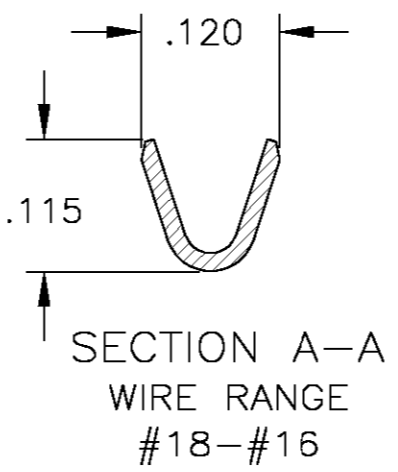
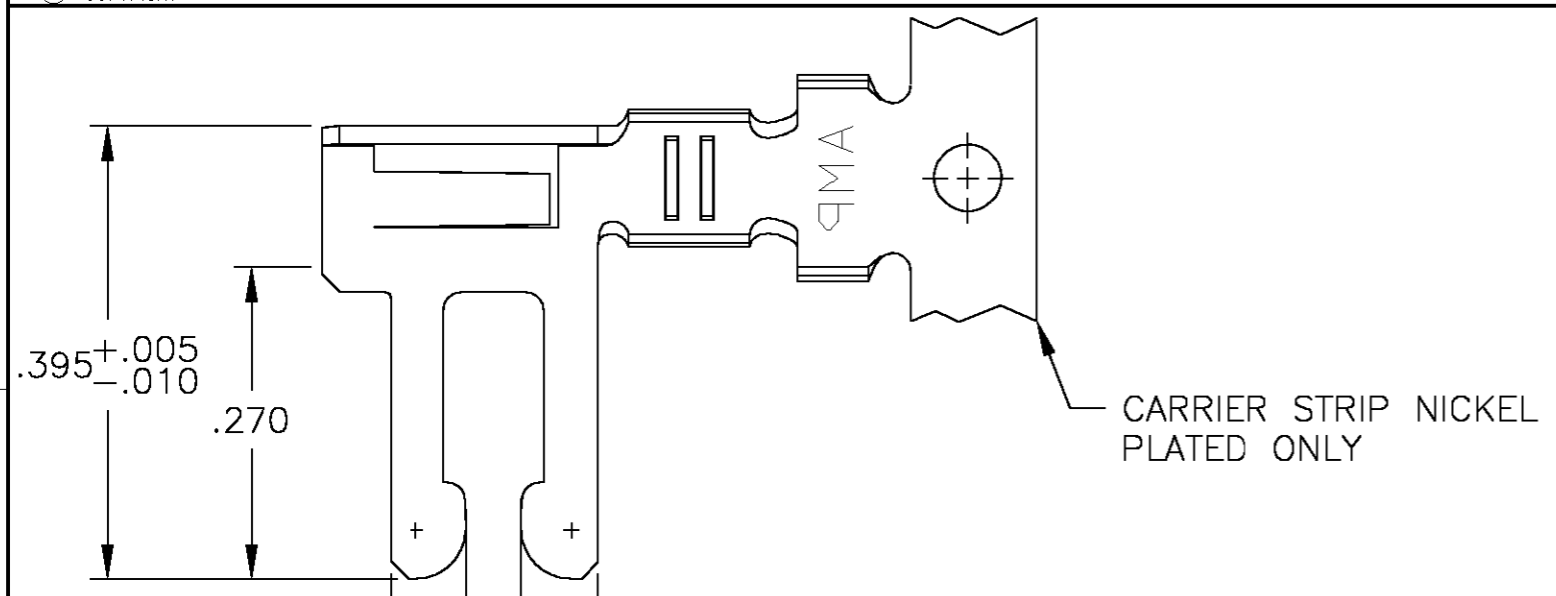


THIS DRAWING IS UNPUBLISHED. RELEASED FOR PUBLICATION
 © COPYRIGHT BY TYCO ELECTRONICS CORPORATION. ALL RIGHTS RESERVED.

LOC	DIST	REVISIONS			
P	LTR	DESCRIPTION	DATE	DWN	APVD
FT	00	G	REV PER 0G3C-0519-00	03APR01	MB MM



- TO BE USED IN HOUSING WITH INSULATION CAVITY OF .123 X .155.
- $\triangle 2$.000030 GOLD OVER .000050 NICKEL IN CONTACT AREA. .000050 NICKEL ON REMAINDER OF CONTACT.
- $\triangle 3$.000015 GOLD OVER .000050 NICKEL IN CONTACT AREA. REMAINDER OF CONTACT .000050 NICKEL.
- $\triangle 4$ L-R FEED FOR MINI-APPL.

OBSOLETE	$\triangle 3$	$\triangle 4$	530503-7
OBSOLETE	$\triangle 2$	$\triangle 4$	530503-6
OBSOLETE	$\triangle 3$		530503-5
OBSOLETE	$\triangle 2$		530503-4
OBSOLETE	$\triangle 3$		530503-3
OBSOLETE	$\triangle 2$		530503-2
FINISH		PART NUMBER	

THIS DRAWING IS A CONTROLLED DOCUMENT.		DWN M.BINNER 03APR01	Tyco Electronics Corporation Harrisburg, PA			
DIMENSIONS: INCHES		CHK M.MILLER 05APR01				
TOLERANCES UNLESS OTHERWISE SPECIFIED:		APVD M.MILLER 05APR01	NAME CONTACT, 22-18 AWG, DUO-TYNE FLAG			
0 PLC ± - 1 PLC ± - 2 PLC ± - 3 PLC ± .005 4 PLC ± .0005 ANGLES ± -		PRODUCT SPEC -	APPLICATION SPEC -			
MATERIAL BERYLLIUM COPPER	FINISH SEE TABLE	WEIGHT -	SIZE A3	CAGE CODE 00779	DRAWING NO C-530503	RESTRICTED TO -
CUSTOMER DRAWING			SCALE 6:1	SHEET 1 OF 1	REV G	