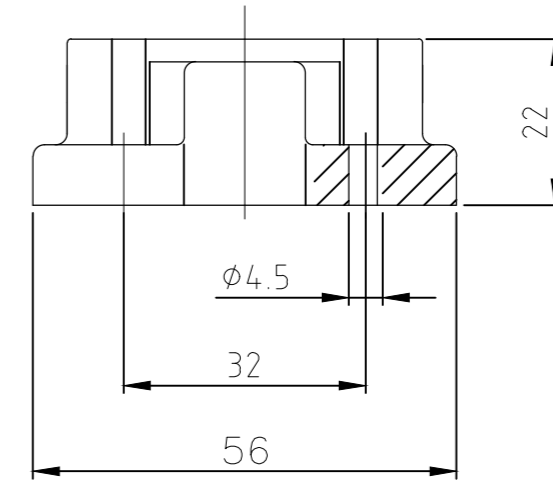
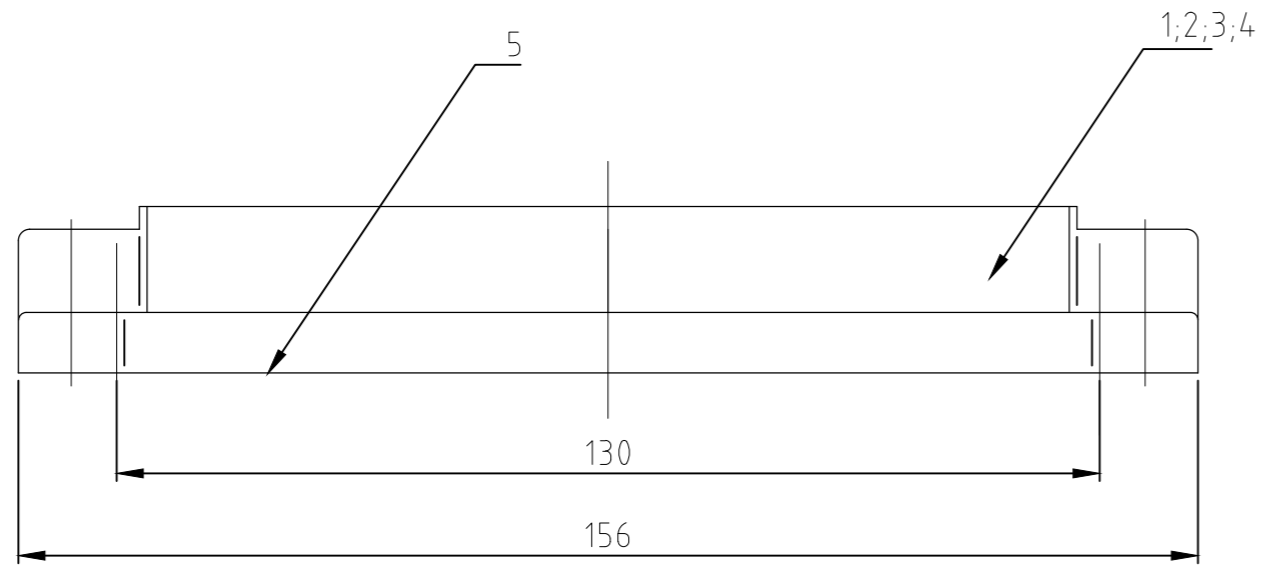
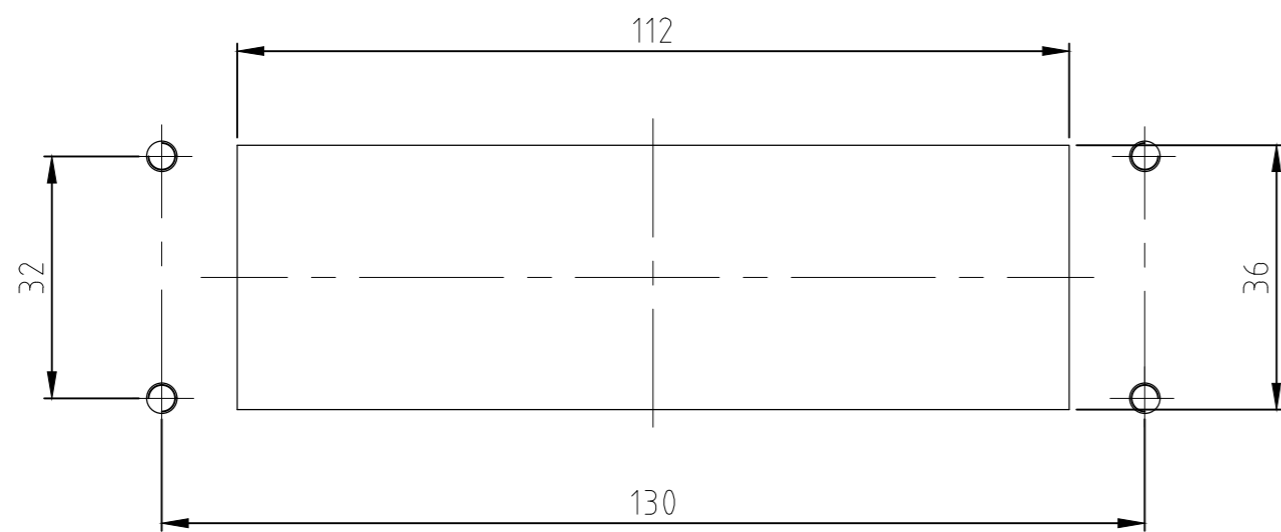


THIS DRAWING IS UNPUBLISHED. RELEASED FOR PUBLICATION
 © COPYRIGHT - TE Connectivity ALL RIGHTS RESERVED.

| REVISIONS | | | | | |
|-----------|-----|---------------------------|-----------|-----|------|
| P | LTR | DESCRIPTION | DATE | DWN | APVD |
| | A6 | REVISED PER ECR-17-014011 | 24JAN2018 | NG | MKO |



Panel Cut Out



- Notes:
- ① Material: Housing: aluminium diecasting alloy
Seals: Neoprene conductive
 - ② Surface: Varnisch- grey
yellow chromium plated +
Varnisch black
 - ③ Varnisch on the inside not necessarily

- Bemerkungen:
- ① Material: Gehäuse: Alu-Druckguß-Legierung
Dichtungen: Neoprene leitfähig
 - ② Oberfläche: Lackierung - grau
gelb chromatiert +
Lackierung schwarz
 - ③ Lackierung im Gehäuseinnere ist nicht notwendig

| QTY | DESCRIPTION / BENENNUNG | MATERIAL | SURFACE/OBERFLÄCHE | COLOR/FARBE | ITEM NO. | REMARKS / BEMERKUNGEN |
|-----|----------------------------|---------------|--------------------|----------------|----------|-----------------------|
| 1 | O-Ring Bg8 | Neoprene | - | black/schwarz | 5 | Conductive |
| 1 | Bulkhead housing EMV-K Bg8 | Aluminium/Alu | yellow chromated | black/schwarz | 4 | |
| 1 | Bulkhead housing EMV Bg8 | Aluminium/Alu | - | grey/grau | 3 | |
| 1 | Bulkhead housing EMV Bg8 | Aluminium/Alu | - | unvarnished | 2 | |
| 1 | Bulkhead housing EMV Bg8 | Aluminium/Alu | - | white aluminum | 1 | |

| | | | | | | |
|--|----------------|--------------------------|--------------|--|--------------|--------------|
| EMV.24/64-AG | EMV-K.24/64-AG | EMV.24/64-AG | EMV.24/64-AG | EMV.24/64-AG | EMV.24/64-AG | EMV.24/64-AG |
| 0-3 | 4-5 | 3-5 | 0-2 | 0-1 | | |
| ORDERING TEXT/BESTELLTEXT | | | | | | |
| THIS DRAWING IS A CONTROLLED DOCUMENT. | | DWN Schneider 01.08.2000 | | TE Connectivity | | |
| DIMENSIONS: mm | | CHK Schweiger 01.08.2000 | | NAME | | |
| TOLERANCES UNLESS OTHERWISE SPECIFIED: | | APVD - | | Surface mounted housing bottom entry EMV | | |
| 0 PLC ± - | | PRODUCT SPEC - | | Anbaugehäuse EMV.24/64-AG | | |
| 1 PLC ± - | | APPLICATION SPEC - | | SIZE A2 | | |
| 2 PLC ± - | | WEIGHT | | CAGE CODE 00779 | | |
| 3 PLC ± - | | CUSTOMER DRAWING | | DRAWING NO C=1102760 | | |
| 4 PLC ± - | | SCALE 1:1 | | SHEET 1 of 1 | | |
| ANGLES ± - | | RESTRICTED TO | | REV A6 | | |
| FINISH | | | | | | |