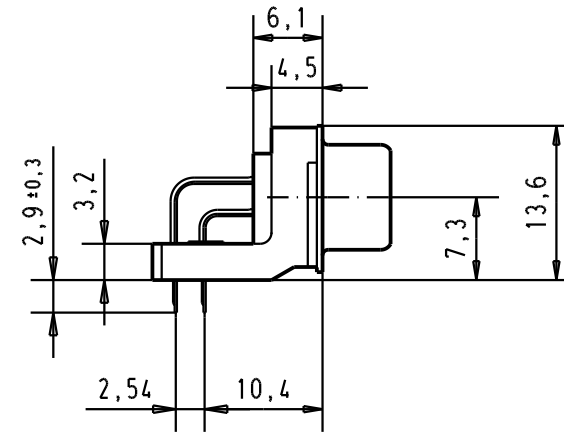
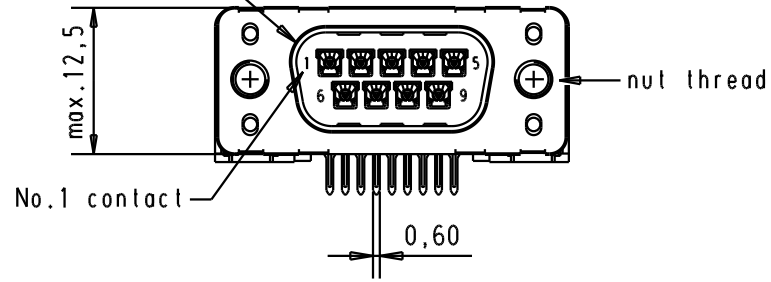
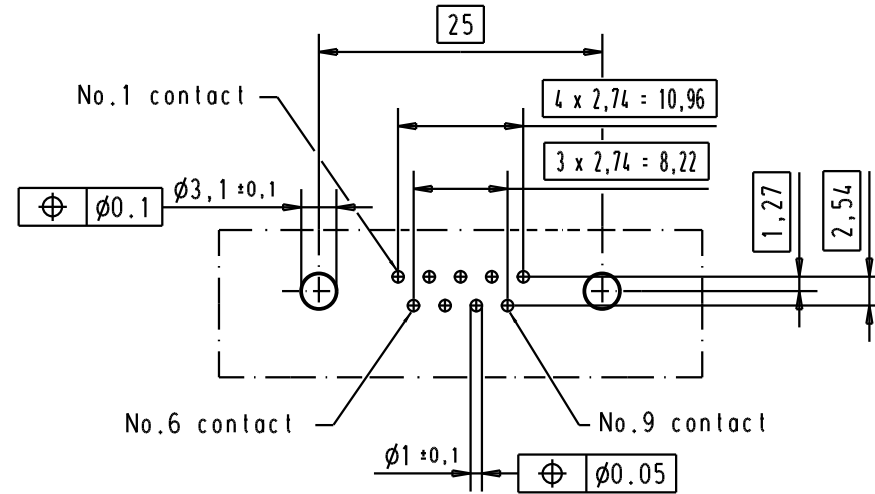
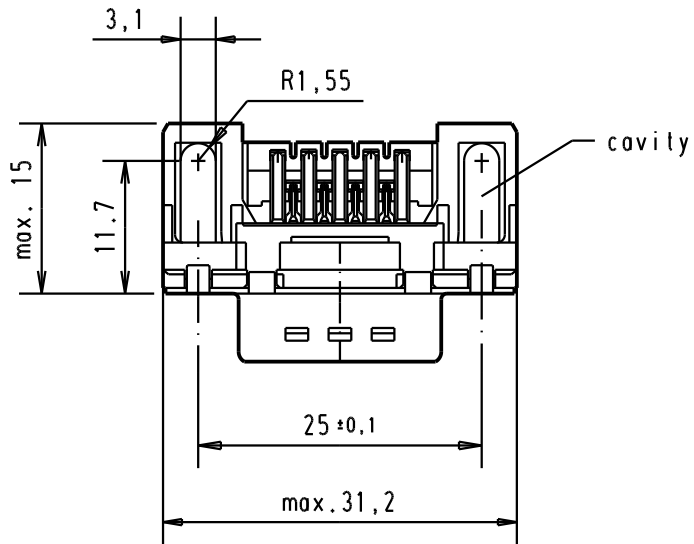


5 4 3 2 1



Mating face according to : MIL-C-24308 / DIN 41652 / CECC 75301-802



Printed board layout component side



A

Part number	Nut thread	Performance level	Mod.	Dat.	Name	Dat.	Name	 All Dim. in mm Orig. Size DIN A 4		D-Sub, male, standard angle, 09 poles, solder pin with nut, hole	Maßstab/ Scale  Blatt/ Page 2
09 65 122 3801	M3	1									
09 65 122 6801	M3	2				Detail.	11/dec/00	ALSPACE			
09 65 122 7801	M3	3	31892	22/04/04	JH	Insp.					
09 65 122 3802	4-40 UNC	1	29773	18-APR-02	CV	Stand.					
09 65 122 6802	4-40 UNC	2	29689	02/07/01	AA						
09 65 122 7802	4-40 UNC	3	27960	11/dec/00	ALSPACE						
						HARTING EURL F-95972 Paris				TB 0965122x80x	