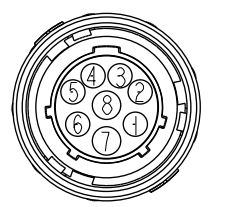
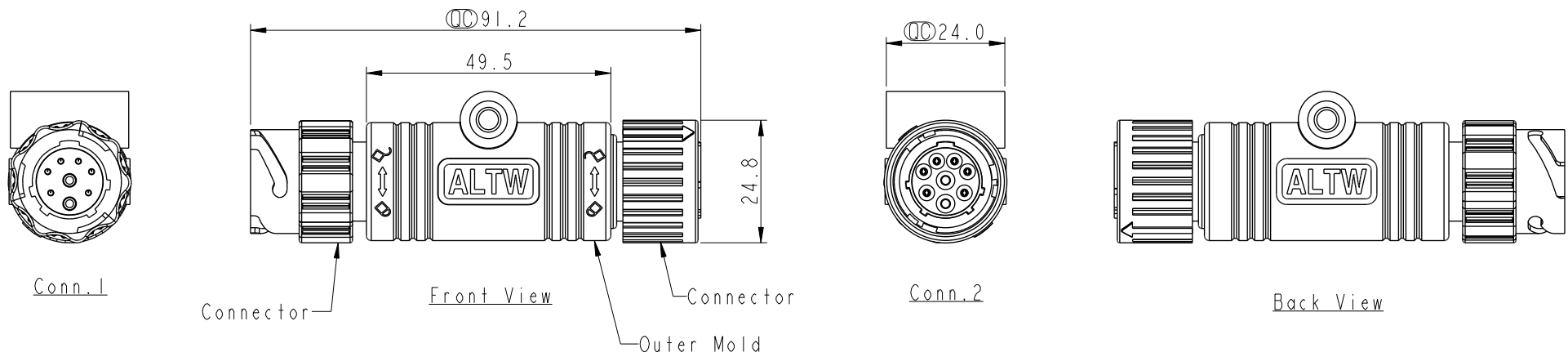


THIS DOCUMENT IS SUBJECT TO CHANGE WITHOUT NOTICE. IT IS CONFIDENTIAL AND A PROPERTY OF Amphenol LTW. DISCLOSURE TO THIRD PARTY HAS TO BE AUTHORIZED BY Amphenol LTW.

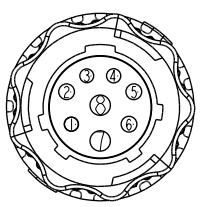
REV.	ECN NO.	DATE	SIGN	DESCRIPTION
A	Initial Release	2023/04/28	Ruru	GA-000808-0MF-IT001 To GA-XXXX00-MF0-IT001

GA-XXXX00-MF0-IT001

XX: No. Of Pin



Conn.1
Pin Assignments
Front View



Conn.2
Pin Assignments
Front View

8	Black	18AWG	黑	8
7	Red	18AWG	紅	7
6	Yellow	24AWG	黃	6
5	Green	24AWG	綠	5
4	White	24AWG	白	4
3	Blue	24AWG	藍	3
2	Black	24AWG	黑	2
1	Red	24AWG	紅	1
Conn.1	Wire Color			Conn.2
Pin Out				

Note:

- * RoHS Compliant
- * \varnothing Important dimension
- * Waterproof rate: IP68, mated 1m/24h
- * Connector
Housing: Thermoplastic, Black
Pin: Copper alloy, Gold plated
- * Connector
Housing: Thermoplastic, Black
Pin: Copper alloy, Gold plated
Nut: Thermoplastic, Black
Gasket: Rubber, Black
- * Outer mold: Thermoplastic, Black
- * Wire Harness: UL1007 24AWG
UL1007 18AWG

UNIT:mm		
TOLERANCE		
± 0.5 mm		

TITLE ACC, CERES, G-10A+5A, 1 ADA W/O CB MF			
SCALE 4:5	SIZE A4	SHEET 1 OF 1	
REV. A	WC-REV. A.1	\varnothing : Inspection item	

Amphenol LTW
安費諾亮泰企業股份有限公司

ITEM NO	DRAWN BY Ruru	DATE 2023-04-28
DWG NO GA-XXXX00-MF0-IT001	CHECKED BY Rita	DATE 2023-04-28
CUSTOMER ALTW	APPROVED BY Max	DATE 2023-04-28