

## SUMMARY

### # Wires

Low voltage 16



*Image is for illustrative purpose only*

Series	2P
Termination type	Female print PCB
IP rating	50
AWG wire size	30.00 - 22.00
Cable Ø	0.00 - 0.00 mm
Status	active
Matching parts	<a href="#">CAB.M16.GLA.C52G</a>

### Download

- [Request a quote](#)
- [PCB Eagle Pattern](#)
- [PCB Altium Pattern](#)
- [PCB KiCad Pattern](#)
- [Catalog](#)

## TECHNICAL DETAILS

### Mechanics

Shell Style/Model	CK*: Fixed receptacle with two nuts (back panel mounting)
Keying	3 keys (alpha=0, gamma=60; Plug: male contacts; Receptacle: female contacts)
Housing Material	PSU (Polysulfone), gray
Weight	6.98 g

### Performance

Configuration	2P.M16 : 16 Low V.
Insulator	L: PEEK for solder contacts
Rated Current	6 Amps

### Specifications

Test voltage (kV rms) Contact-contact: 1.5  
Air clearance min.: 0.65 mm  
Creepage distance min.: 0.65 mm

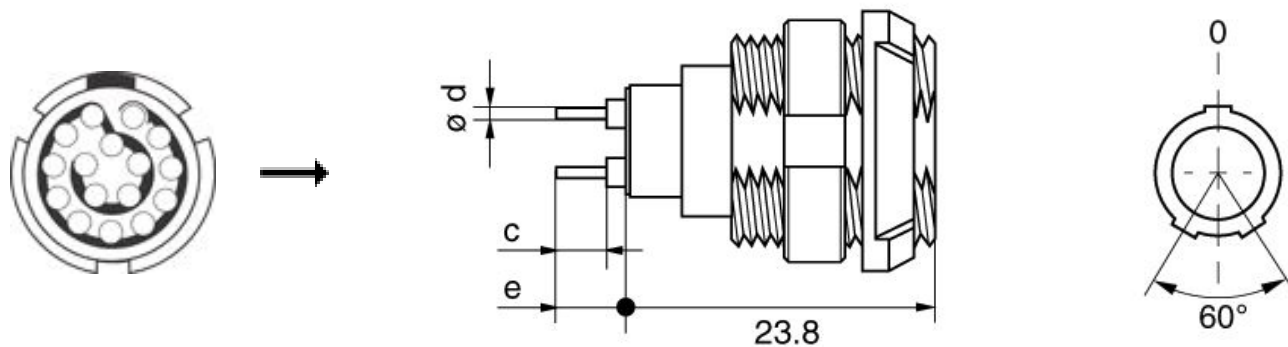
### Others

Endurance (Shell): >1000 mating cycles  
Temp (min / max): -50°C / +150°C  
F ret (min): 150 N

*LEMO products and services are provided "as is". LEMO makes no warranties or representations with regard to LEMO product & services or use of them, express, implied or statutory, including for accuracy, completeness, or security. The user is fully responsible for his products and applications using LEMO components.*

F ret (max): 250 N  
Steam sterilization: 20 times

## DRAWINGS



### Dimensions

	N	c	d	e
mm.	23.8	3.0-5.7	0.5-0.7	3.0-6.0
in.	0,94	0,12	0,02	0,12

## RECOMMENDED BY LEMO

### Tools

LEMO products and services are provided "as is". LEMO makes no warranties or representations with regard to LEMO product & services or use of them, express, implied or statutory, including for accuracy, completeness, or security. The user is fully responsible for his products and applications using LEMO components.