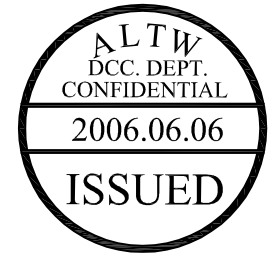
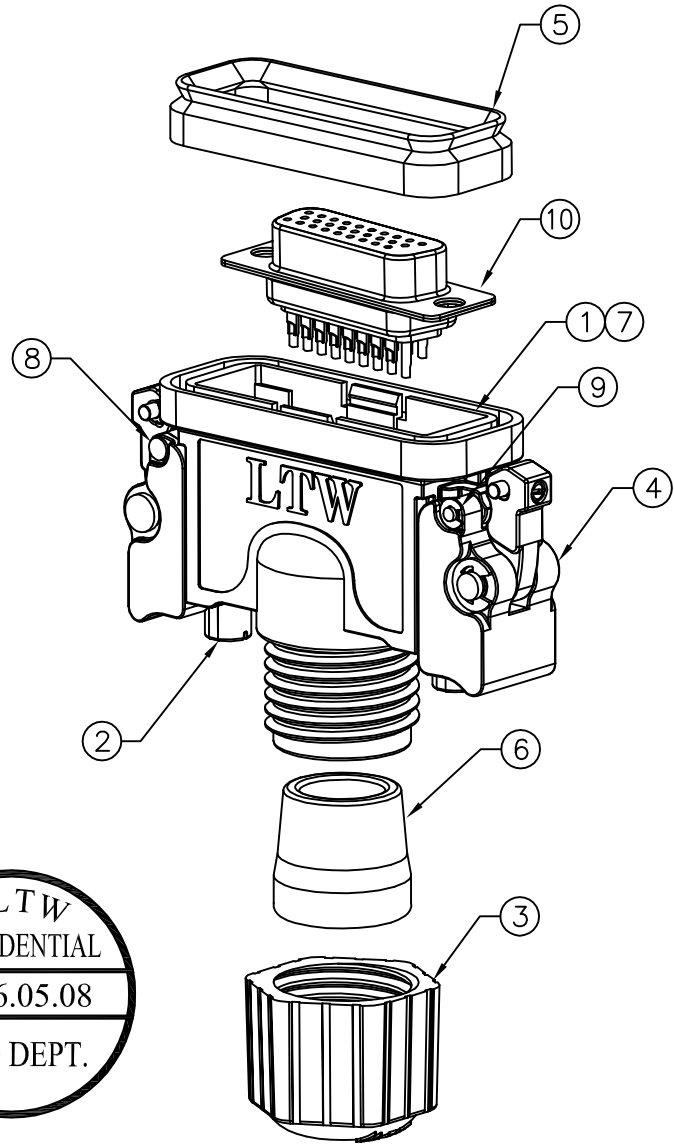
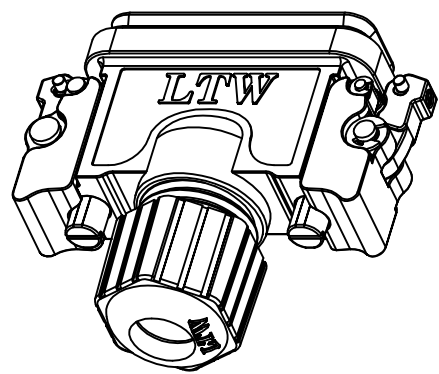
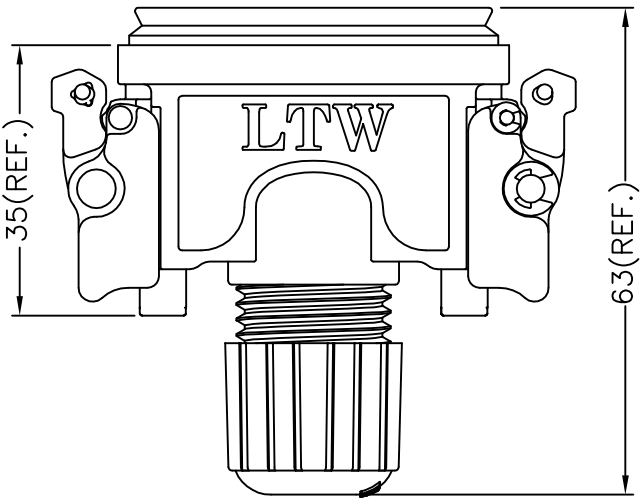
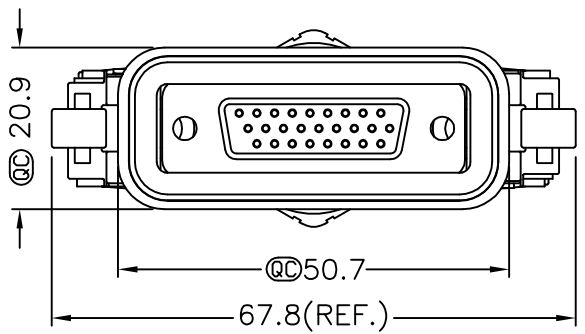


5	6	7	8
REV.	ECN NO.	DATE	SIGN
		DESCRIPTION	

THIS DOCUMENT IS SUBJECT TO CHANGE WITHOUT NOTICE. IT IS CONFIDENTIAL AND A PROPERTY OF AMPHENOL LTW. DISCLOSURE TO THIRD PARTY HAS TO BE AUTHORIZED BY AMPHENOL LTW.



Notes:

- * @C Important Dimension.
- * Waterproof Rate : IP67
IP67:1M of depth of water 30 Min.
- * Applicable Wire Range: 24AWG-28AWG
- * Seals for Cable OD:φ6.0mm~φ8.0mm
- * Core Color:Black
- * Materials:
Gasket : Silicone,Black
Seal : Silicone,Black
Insulator : PBT
Contact : Copper Alloy
Body : Zinc
Screw : Stainless
Aixs and Buckle : Stainless
- * Finishes:
Body : Nickel Plated
Shell : Nickel Plated
Contact : Gold Flash

UNIT:mm	
TOLERANCE	
.X	±0.25
.XX	±0.1
.XXX	±0.05
ANGLES	±1'

TITLE		D-SUB CONN	
ASSY QUICK HD26P F CONN F PIN			
SCALE	Free	SHEET	1 OF 1
REV.	A	SIZE	A4
@C :Inspection Item			

Amphenol LTW
安費諾亮泰企業股份有限公司

ITEM NO	HDB-26BFFA-QL7001
DWG NO	HDB-26BFFA-QL7001
CUSTOMER	ALTW

DRAWN BY	Rolando R. Bagsit
CHECKED BY	Alan MJ Sundo
APPROVED BY	Simon Hung

DATE	2006/05/08
DATE	2006/05/11
DATE	2006/05/19