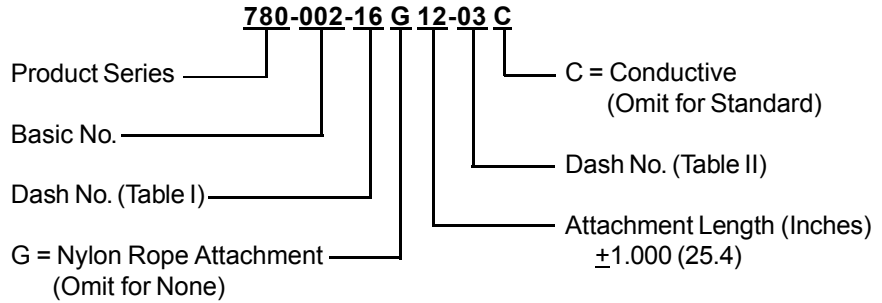


780-002 (Receptacle)
Mr. Bean Protective Rubber Covers
Universal Circular

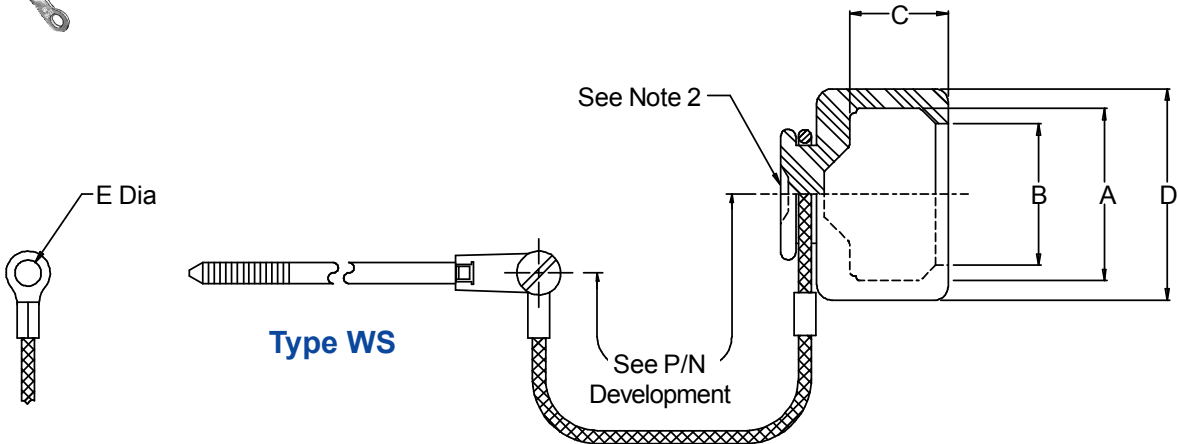
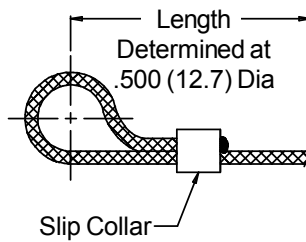


6 & 78

- MIL-C-38999
Series I, II, III
- MIL-DTL-5015
- MIL-C-26482
SERIES I AND II
- MIL-DTL-83723
SERIES III
- MIL-C-81511
SERIES I, II, III AND IV
- MIL-C-28840



Type SK



NOTES:

1. Metric dimensions (mm) are indicated in parentheses.
2. This series of covers is similar to Bean Rubber BP Series, Same Dash No., ie: BP-16-W equivalent to 780-002-16G12-09.
3. Standard material contains trace amounts of sulfur (a vulcanizing agent) which is known to contribute to degradation/corrosion of silver plated components such as braid, etc. Specify MOD Code suffix -675 for sulfur-free material.



*"To Protect
and to Serve"*



780-002 (Receptacle) Mr. Bean Protective Rubber Covers Universal Circular

TABLE I: COVER DIMENSIONS

Dash No.	A Dia	B Dia	C Dim	D Dim	Bean Rubber Mfg Cross Ref No.
01	.160 (4.1)	N/A.220 (5.6)	.400 (10.2)	.750 (19.1)	N/A
02	.240 (6.1)	(5.6)	.400 (10.2)	.750 (19.1)	N/A
03	.320 (8.1)	.250 (6.4)	.300 (7.6)	.750 (19.1)	BP-3
04	.420 (10.7)	.390 (9.9)	.630 (16.0)	.750 (19.1)	BP-4
05	.370 (9.4)	.330 (8.4)	.500 (12.7)	.750 (19.1)	N/A
06	.470 (11.9)	.440 (11.2)	.630 (16.0)	.750 (19.1)	BP-6
07	.780 (19.8)	.560 (14.2)	.630 (16.0)	1.150 (29.2)	SBP-7
08	.780 (19.8)	.560 (14.2)	.630 (16.0)	1.150 (29.2)	SBP-8
09	.850 (21.6)	.650 (16.5)	.630 (16.0)	1.250 (31.8)	SBP-9
10	.890 (22.6)	.680 (17.3)	.630 (16.0)	1.250 (31.8)	SBP-10
11	1.050 (26.7)	.830 (21.1)	.630 (16.0)	1.560 (39.6)	SBP-11
12	1.060 (26.9)	.840 (21.3)	.630 (16.0)	1.560 (39.6)	SBP-12
13	1.220 (31.0)	1.000 (25.4)	.630 (16.0)	1.680 (42.7)	SBP-13
14	1.180 (30.0)	.960 (24.4)	.630 (16.0)	1.680 (42.7)	SBP-14
15	1.350 (34.3)	1.130 (28.7)	.630 (16.0)	1.810 (46.0)	SBP-15
16	1.310 (33.3)	1.090 (27.7)	.630 (16.0)	1.810 (46.0)	SBP-16
17	1.480 (37.6)	1.260 (32.0)	.630 (16.0)	2.040 (51.8)	SBP-17
18	1.420 (36.1)	1.210 (30.7)	.630 (16.0)	2.040 (51.8)	SBP-18
19	1.560 (39.7)	1.340 (34.0)	.630 (16.0)	2.150 (54.6)	SBP-19
20	1.560 (39.7)	1.340 (34.0)	.630 (16.0)	2.180 (55.4)	SBP-20
21	1.680 (42.7)	1.460 (37.1)	.630 (16.0)	2.310 (58.7)	SBP-21
22	1.680 (42.7)	1.460 (37.1)	.630 (16.0)	2.310 (58.7)	SBP-22
23	1.800 (45.7)	1.590 (40.4)	.690 (17.5)	2.430 (61.7)	SBP-23
24	1.800 (45.7)	1.590 (40.4)	.690 (17.5)	2.430 (61.7)	SBP-24
25	1.960 (49.8)	1.740 (44.2)	.690 (17.5)	2.580 (65.5)	SBP-25
26	1.900 (48.3)	1.710 (43.4)	.690 (17.5)	2.640 (67.1)	SBP-26
27	2.160 (54.9)	1.750 (44.5)	.690 (17.5)	2.580 (65.5)	SBP-27
28	2.050 (52.1)	1.580 (40.1)	.630 (16.0)	3.300 (83.8)	SBP-28
32	2.310 (58.7)	2.130 (54.1)	TBD	2.980 (75.7)	N/A
36	2.560 (65.0)	2.320 (58.9)	TBD	3.180 (80.8)	N/A
40	2.810 (71.4)	2.590 (65.8)	.690 (17.5)	3.430 (87.1)	SBP-40
50	3.000 (76.2)	2.870 (72.9)	TBD	3.570 (90.7)	N/A
12JA	.980 (24.9)	.840 (21.3)	.630 (16.0)	1.250 (31.8)	SBP-12JA

TABLE II: ATTACHMENT

Dash No.	E Dia ±.010 (0.3)
00	No Terminal
01	.140 (3.6)
02	.182 (4.6)
03	.191 (4.9)
04	.197 (5.0)
05	.167 (4.2)
06	.125 (3.2)
07	.218 (5.5)
09	.156 (4.0)
WS	With Strap
SK	Slip Knot

Metric dimensions (mm)
are indicated in
parentheses.

TABLE III: CONNECTOR APPLICATION REFERENCE

Dash No.	MIL-C-26482		MIL-DTL-38999		MIL-DTL-38999		MIL-DTL-83723		MIL-DTL-83723		MIL-C-81511	
	MIL-DTL-5015	Series I & II	Series I	Series II	Series III	Series III	Series III	Series III	Series III	Series III	Series I, II, III, IV	MIL-C-28840
04	8 & 8S	8		8								
06		10	9	10			8	8		8		
08	10S, 10 SL		11		9		10	10		10		
09	12, 12S	12		12	11							A (11)
10			13									
11	14, 14S	14		14	13		12	12		14		B (13)
12			15				14	14				
13	18	18	17	18								D (17)
14	16, 16S	16		16	15		16	16		16		C (15)
15	20	20		20	19							
16			19		17		18	18		18		
17	22	22		22	21							
18			21				20	20		20		E (19)
19	24			22								
20			23		23		22	22		22		
21					25							G (25)
22		24	25	24			24	24		24		F (239)
23	28											
26												H (21)
28	32											J (33)
32	36											
36	40											
40	44											
50	48											