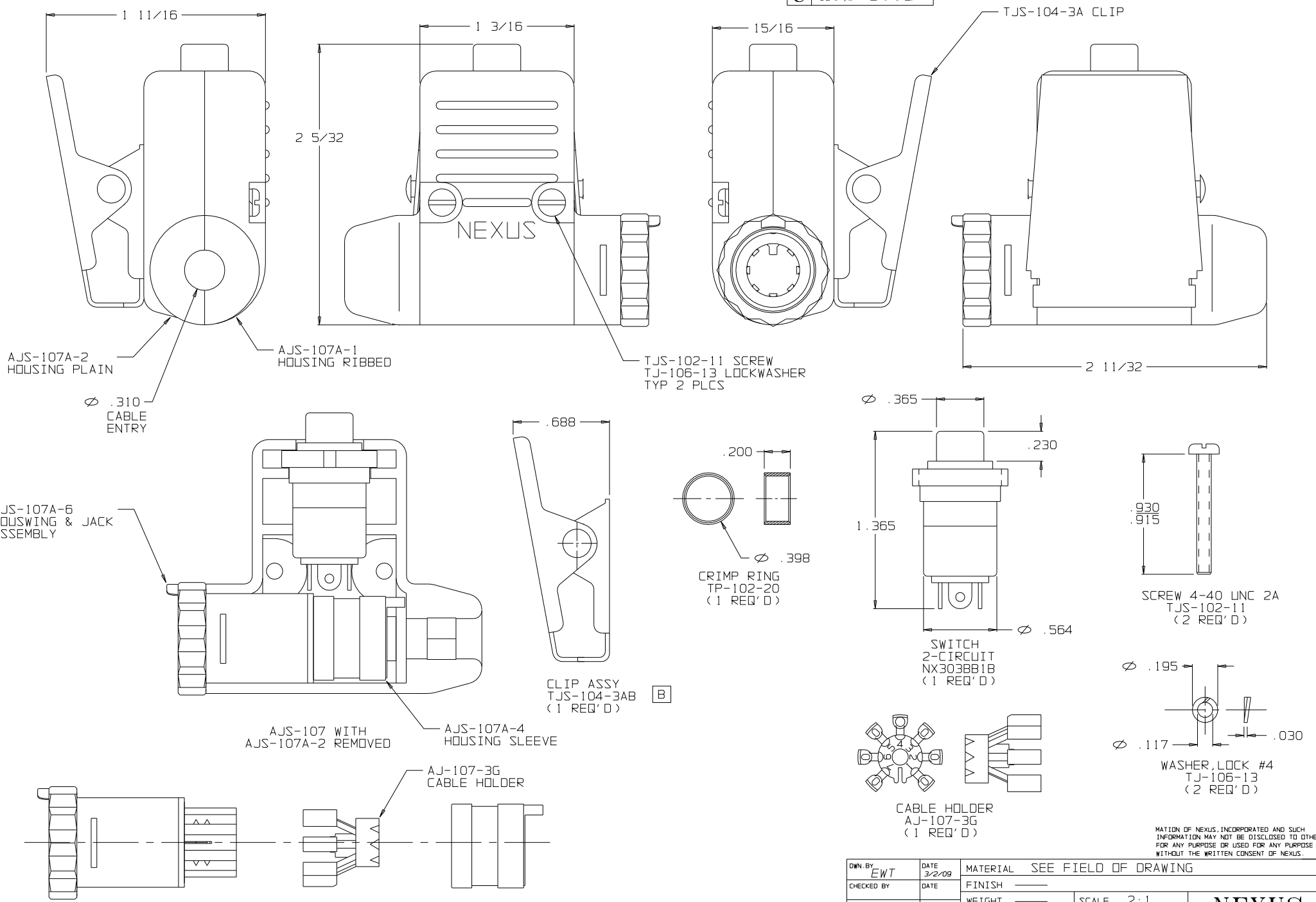


C AJS-107B



MATION OF NEXUS, INCORPORATED AND SUCH INFORMATION MAY NOT BE DISCLOSED TO OTHERS FOR ANY PURPOSE OR USED FOR ANY PURPOSE WITHOUT THE WRITTEN CONSENT OF NEXUS.

DWN BY	EWT	DATE	3/2/09	MATERIAL	SEE FIELD OF DRAWING
CHECKED BY		DATE		FINISH	
APPR BY		DATE		WEIGHT	SCALE 2:1
TITLE				JACK-TELEPHONE (7) CONDUCTOR WITH SWITCH (NX303)	
UNLESS OTHERWISE SPECIFIED DIMENSIONS ARE IN INCHES TOLERANCES ON FRACTIONS DECIMALS ANGLES					
±.1/64 ±.005					
DO NOT SCALE DWG.				SHEET 1 OF 1	

B	TJS-104-3AB WAS TJS-104-3A	030	9/25/09	GPH
A	INITIAL RELEASE		3/2/09	EWT
LET.	REVISION	CN #	DATE	CHK

NEXUS
STAMFORD, CONN
SIZE DWG. NO.
C AJS-107B