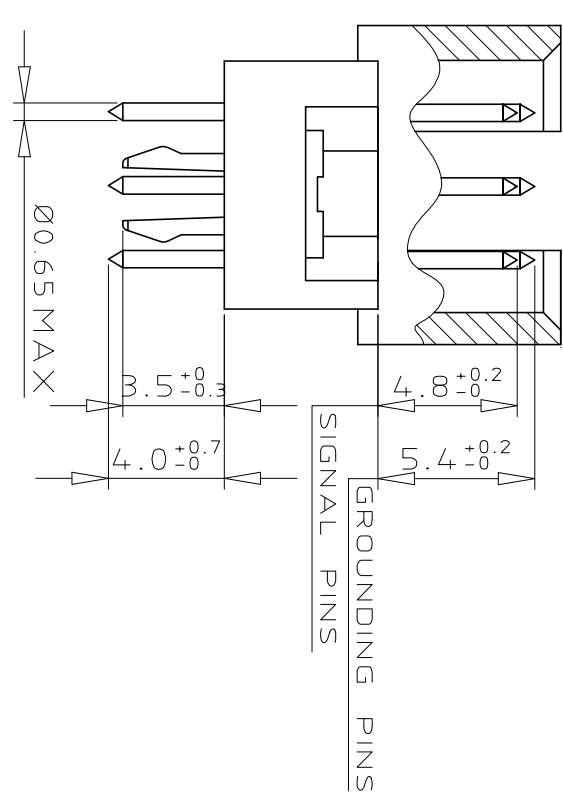
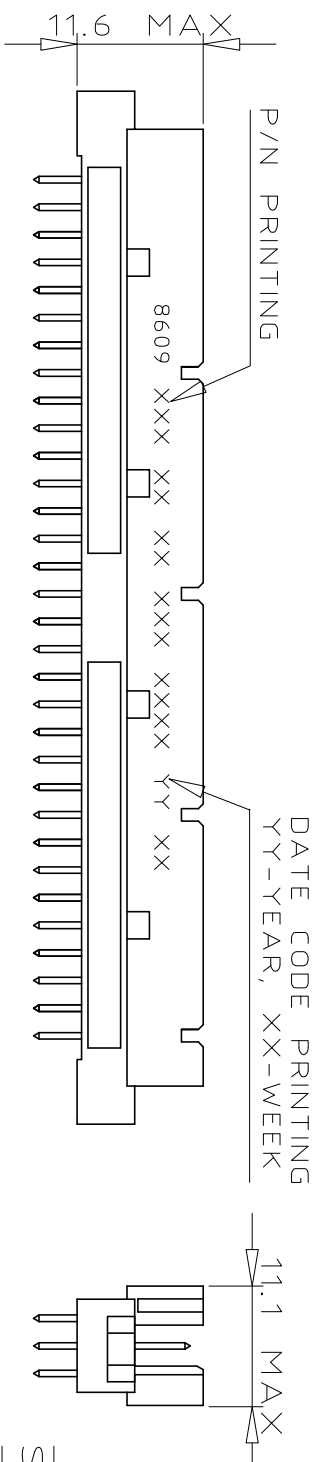
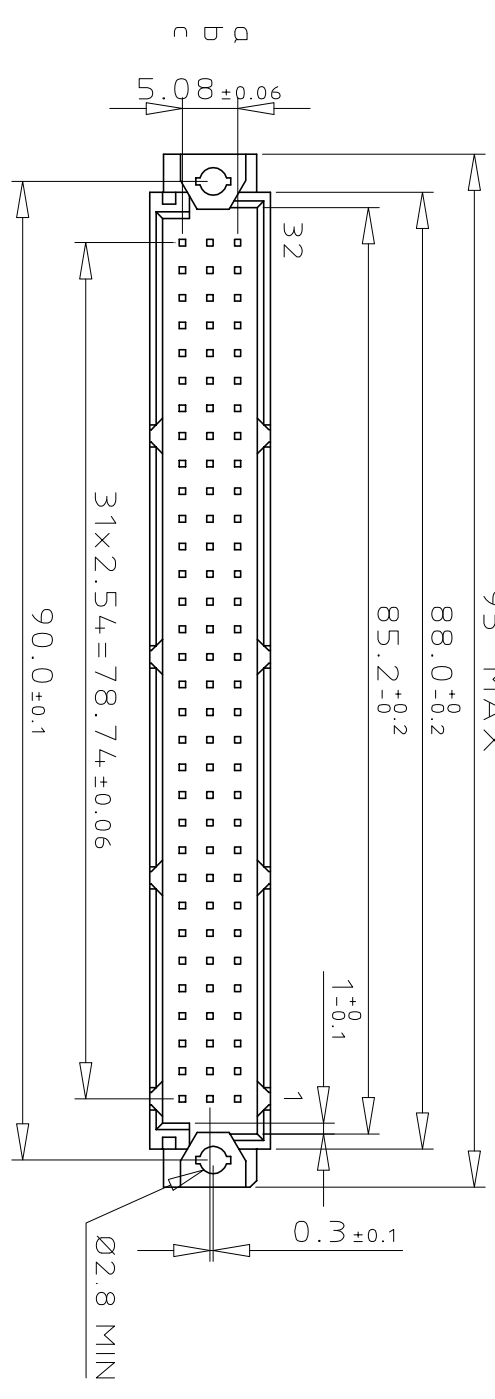


# DIMENSIONS

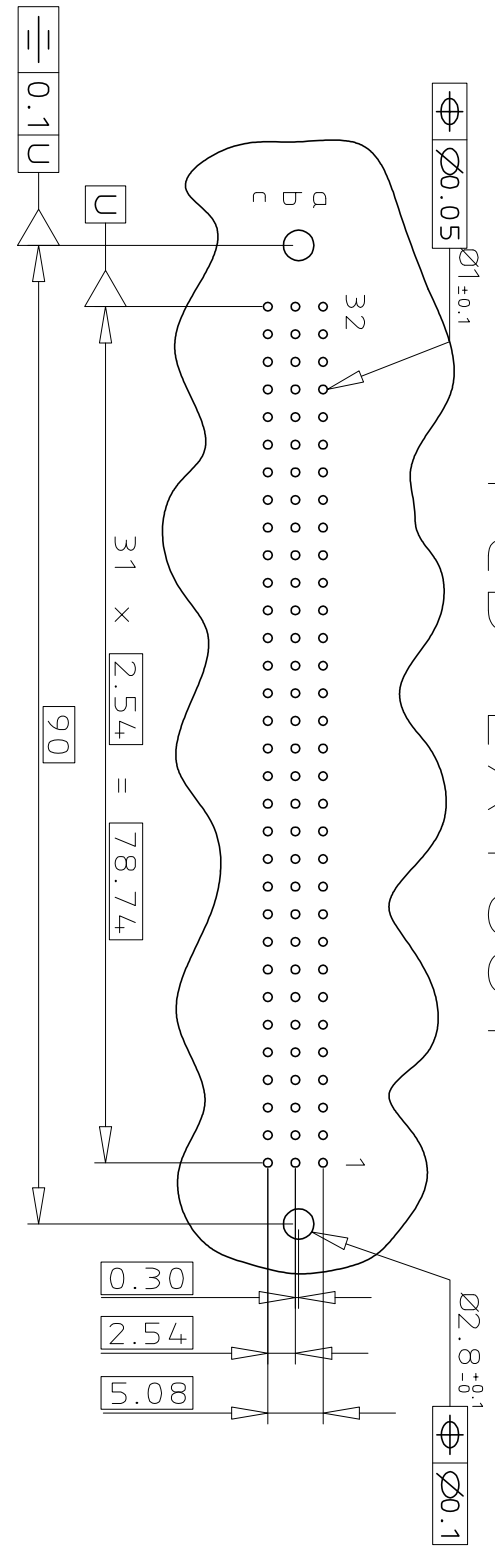


# TERMINATION

# ORDERING INFORMATION

SERIES	8609	3	96	7	8	14	7	4	5	UMLF
ROWS FITTED WITH CONTACTS	Row a	b	c							
NO. OF CONTACTS	96									
TYPE OF INSULATOR	3									
METHOD OF MOUNTING	7									
REVERSE MOUNTING - STYLE	R									
TERMINATION	8									
STRAIGHT SPILL	14									
OPTIONS	7									
NO OPTION WITH HARPOONS	5									
PERFORMANCE CLASS	4									
DIN 41612 CLASS 3	2									
DIN 41612 CLASS 2	1									
DIN 41612 CLASS 1	6									
AS PER MIL C 55302 / JSS 50808	8									
PITCH PER ROW	2.54 mm									
LEAD FREE VERSION - SPL LOADING	UMLF									

# PCB LAYOUT



# CONTACT ARRANGEMENT

1	2	3	4	5	6	7	8	9	10	11	12	13	14	15	16	17	18	19	20	21	22	23	24	25	26	27	28	29	30	31	32	
✓	✓	✓	✓	✓	✓	✓	✓	✓	✓	✓	✓	✓	✓	✓	✓	✓	✓	✓	✓	✓	✓	✓	✓	✓	✓	✓	✓	✓	✓	✓	✓	✓
✓	✓	✓	✓	✓	✓	✓	✓	✓	✓	✓	✓	✓	✓	✓	✓	✓	✓	✓	✓	✓	✓	✓	✓	✓	✓	✓	✓	✓	✓	✓	✓	

STANDARD CONTACT   
  EMPTY CAVITY   
  FMLB CONTACT   
  LMEB CONTACT

GENERAL CHARACTERISTICS & ROHS INFO

REFER DRAWING C-8609-0000A

mat'l. code	SEE DWG C-8609-0000A	surface	ISO 1302	tolerance	ISO 406	ISO 1101	projection	product family	8609
tr	ecn no dr	ddte	tolerances unless otherwise specified	0.X	±0.1	±0.1	mm	title	DIN REVERSE HEADER
A	110-0130	KR 2010-06-11	angles	linear	0.XX	±0.1	SCDLE 3:2	STRAIGHT SPILL	DIN 41612 STYLE R
sheet index	revision	sheet	dr	engr	chr	pppd	FCI	dwg no	C-8609-2244
1	A	1	KESAVAN R	KESAVAN R	KESAVAN R	BIJU K PAUL		sheet 1 of 1	A3
			2010-06-11	2010-06-11	2010-06-11	2010-06-11		size	
								type Product	Customer Drawing