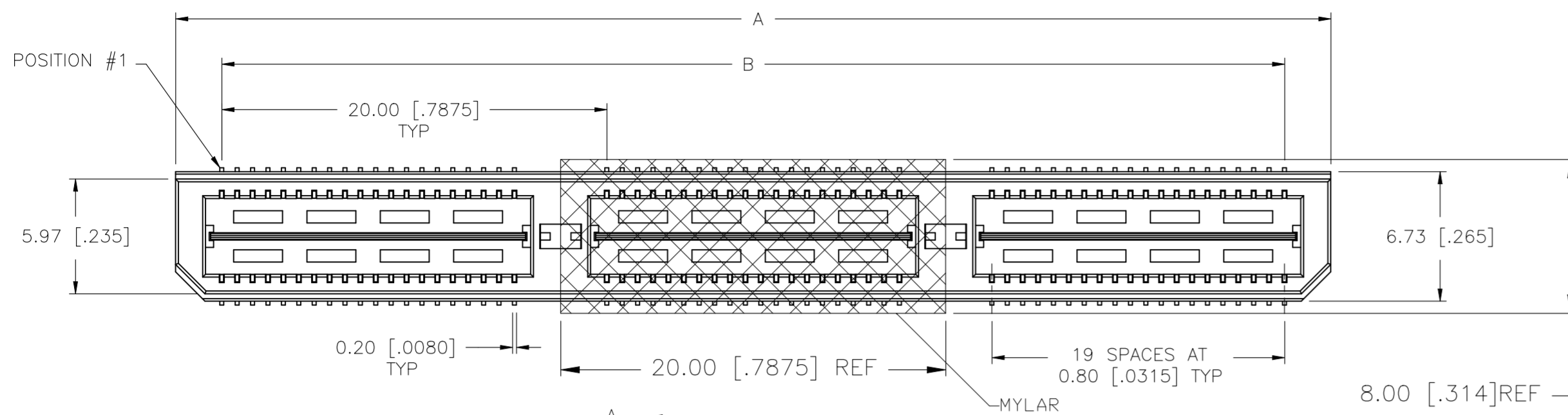
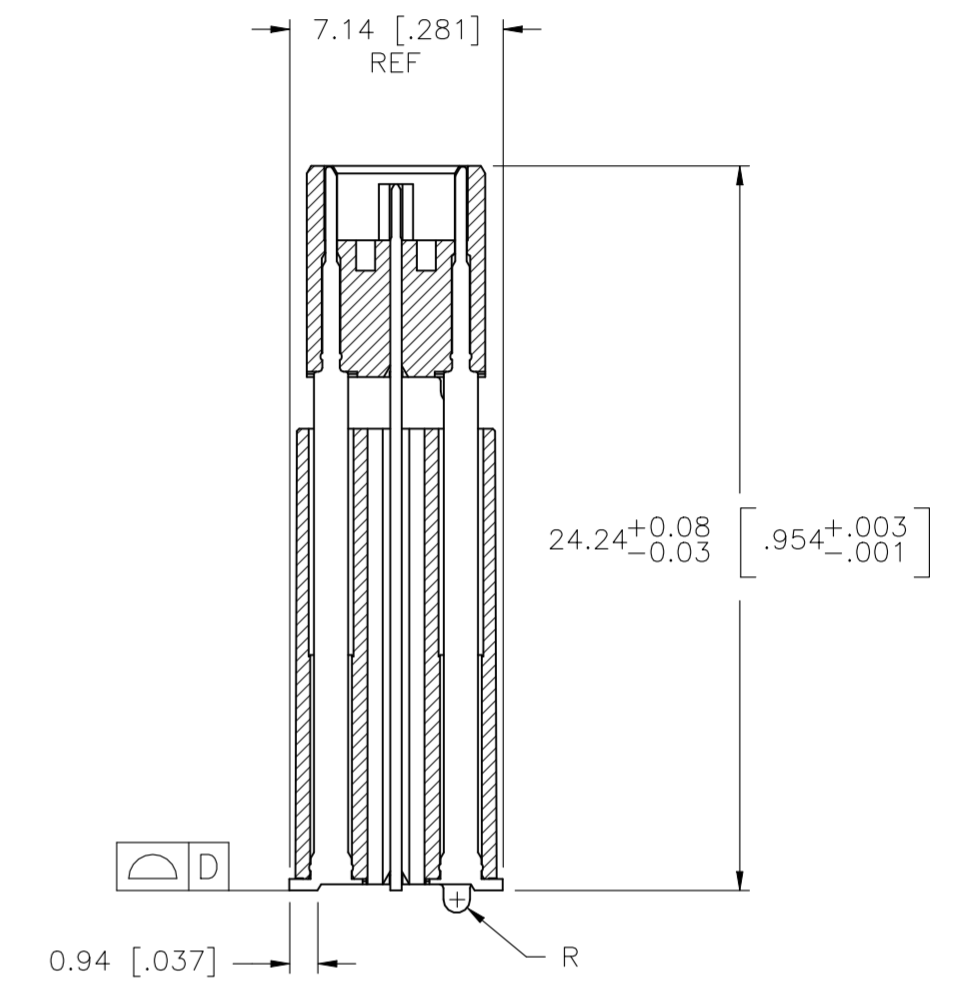
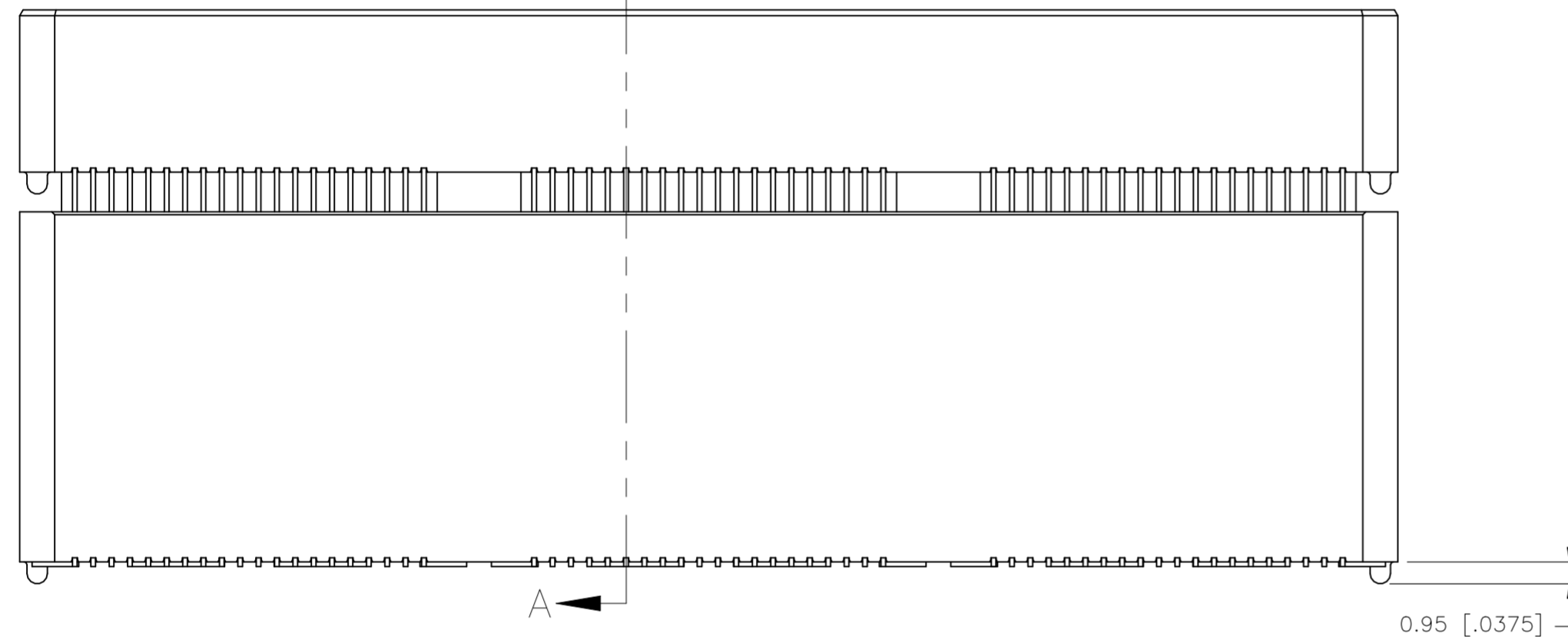


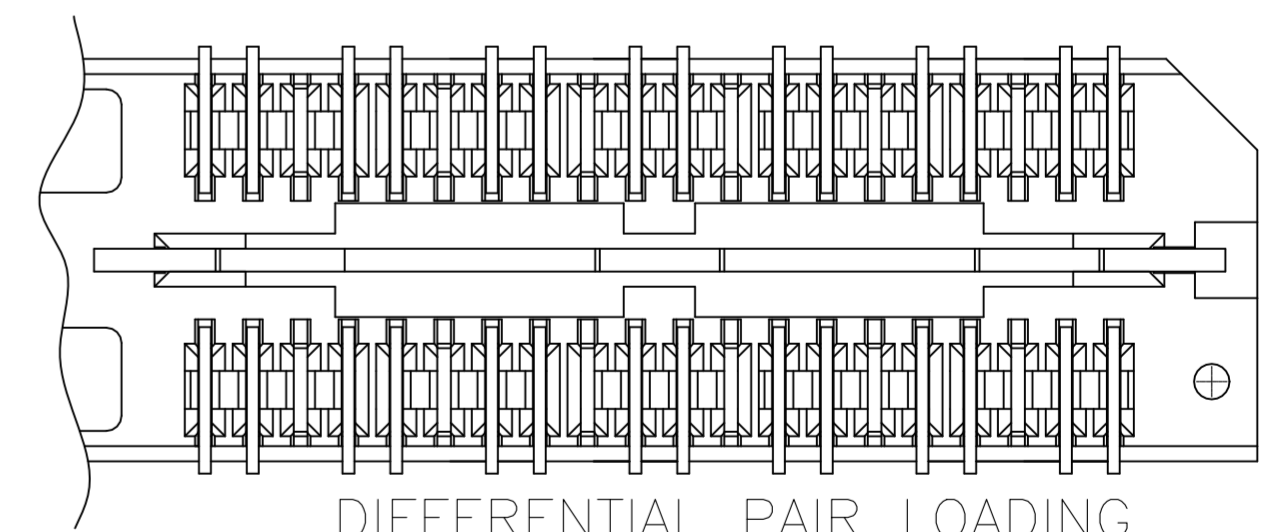
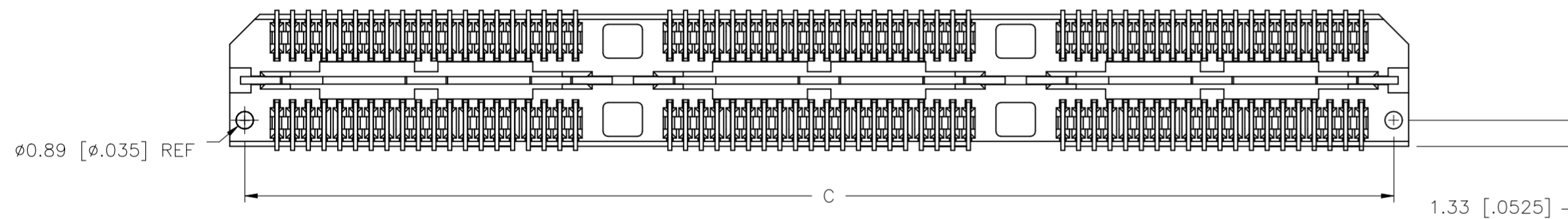
REVISIONS					
P	LTR	DESCRIPTION	DATE	DWN	APVD
J		REVISE PER ECO-21-000567	15JAN2021	TL	HL



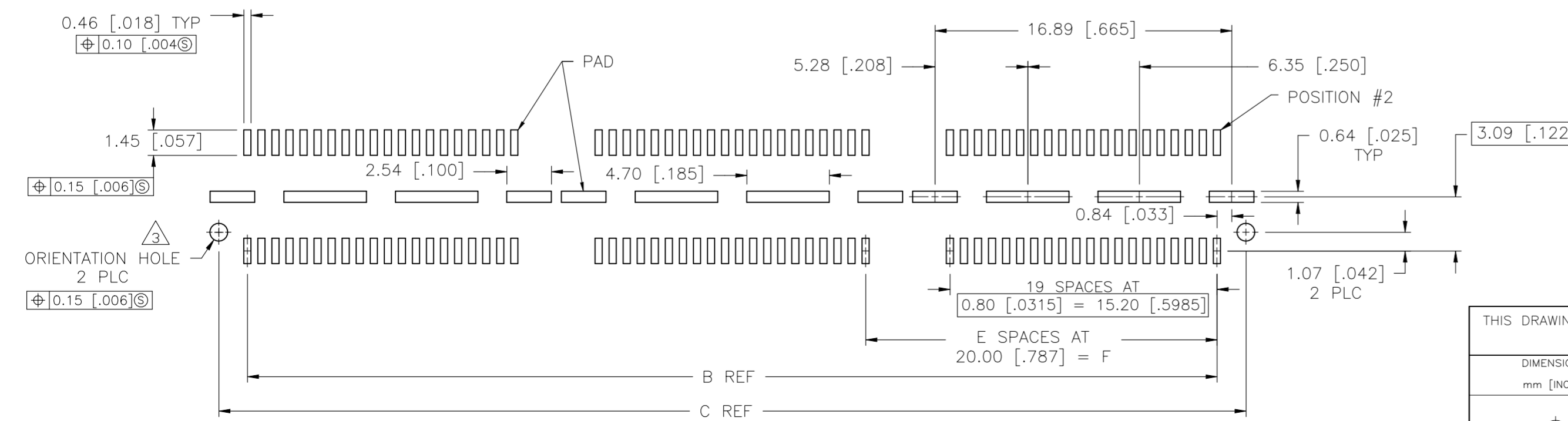
- 1 HOUSING: LCP, BLACK.
CONTACT & GROUND PLANE: PHOS BRONZE.
- 2 CONTACT PLATING: SELECT 0.25 MICROMETERS (.000010 IN) MIN GOLD.
- 3 FOR STANDARD APPLICATIONS, ORIENTATION HOLE TO BE $\phi 1.02 [\phi .0400]$.



SECTION A-A



DIFFERENTIAL PAIR LOADING
(BOTTOM VIEW)
SCALE 2:1



RECOMMENDED PC BOARD LAYOUT
(VIEWED FROM CONNECTOR SIDE)

THIS DRAWING IS A CONTROLLED DOCUMENT.		DWN B.CARBO 04FEB03	TE Connectivity Ltd.	
DIMENSIONS: mm [INCHES]		CHK D.DIXON 04FEB03		
TOLERANCES UNLESS OTHERWISE SPECIFIED:		APVD D.DIXON 04FEB03	NAME HEADER ASSEMBLY, 25.0MM [.984] VERTICAL, 0.80MM CL, MICTOR SB	
0 PLC ± -		PRODUCT SPEC	SIZE A2	
1 PLC ± 0.3[.01]		APPLICATION SPEC	CAGE CODE 00779	DRAWING NO C=1658019
2 PLC ± 0.13[.005]		WEIGHT 0	RESTRICTED TO	
3 PLC ± 0.051[.0020]		CUSTOMER DRAWING	SCALE 3:1	SHEET 1 of 2
4 PLC ± -			REV J	
ANGLES ± 2°				
FINISH				

REVISIONS

P	LTR	DESCRIPTION	DATE	DWN	APVD
-		SEE SHEET 1	-	-	-

F	E	D	C	B	A	MYLAR (Y/N)	PACKAGING TYPE	DIFF. PAIR	NO OF POS	PART NUMBER
60.00(2.362)	3	0.152(.0060)	78.49(3.090)	75.20(2.961)	80.00(3.150)	YES	TRAY	NO	160	3-1658019-4
80.00(3.150)	4	0.152(.0060)	98.50(3.748)	95.20(3.748)	100.00(3.937)	NO	TRAY	YES	140	1-1658019-5
60.00(2.362)	3	0.152(.0060)	78.49(3.090)	75.20(2.961)	80.00(3.150)	NO	TRAY	YES	112	1-1658019-4
40.00(1.575)	2	0.102(.0040)	58.50(2.303)	55.20(2.173)	60.00(2.362)	NO	TRAY	YES	84	1-1658019-3
20.00(.7874)	1	0.102(.0040)	38.48(1.515)	35.20(1.386)	40.00(1.575)	NO	TRAY	YES	56	1-1658019-2
0(.000)	0	0.102(.0040)	18.49(.728)	15.20(.598)	20.00(.787)	NO	TRAY	YES	28	1-1658019-1
80.00(3.150)	4	0.152(.0060)	98.50(3.748)	95.20(3.748)	100.00(3.937)	NO	TRAY	NO	200	1658019-5
60.00(2.362)	3	0.152(.0060)	78.49(3.090)	75.20(2.961)	80.00(3.150)	NO	TRAY	NO	160	1658019-4
40.00(1.575)	2	0.102(.0040)	58.50(2.303)	55.20(2.173)	60.00(2.362)	NO	TRAY	NO	120	1658019-3
20.00(.7874)	1	0.102(.0040)	38.48(1.515)	35.20(1.386)	40.00(1.575)	NO	TRAY	NO	80	1658019-2
0(.000)	0	0.102(.0040)	18.49(.728)	15.20(.598)	20.00(.787)	NO	TRAY	NO	40	1658019-1

1658019

THIS DRAWING IS A CONTROLLED DOCUMENT.

DWN	B.CARBO	04FEB03
CHK	D.DIXON	04FEB03
APVD	D.DIXON	04FEB03
PRODUCT SPEC	-	
APPLICATION SPEC	-	
WEIGHT	0	
CUSTOMER DRAWING		

TE TE Connectivity Ltd.

NAME: HEADER ASSEMBLY, 25.0MM [.984] VERTICAL, 0.80MM CL, MICTOR SB

SIZE: A2 CAGE CODE: 00779 DRAWING NO: C=1658019 RESTRICTED TO: -

SCALE: 3:1 SHEET: 2 OF 2 REV: J