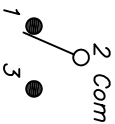


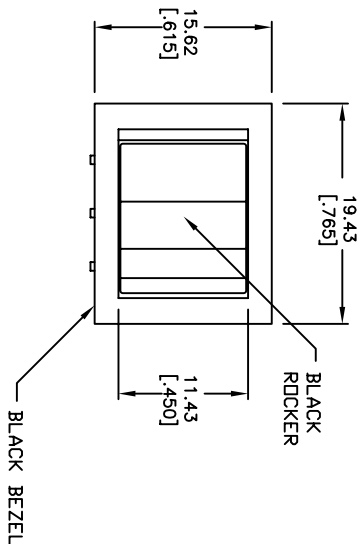
RECOMMENDED P.C.B. LAYOUT



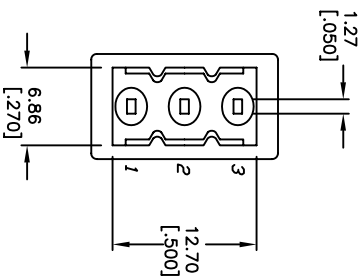
CIRCUIT: SPST

SWITCH FUNCTION		
POS. 1	POS. 2	POS. 3
(DN)	OFF	(DN)
2-3	OPEN	2-1

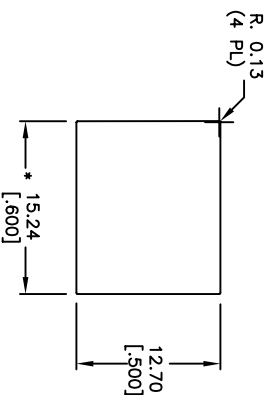
(DN) = MOMENTARY



BLACK BEZEL
BLACK ROCKER



BOTTOM VIEW

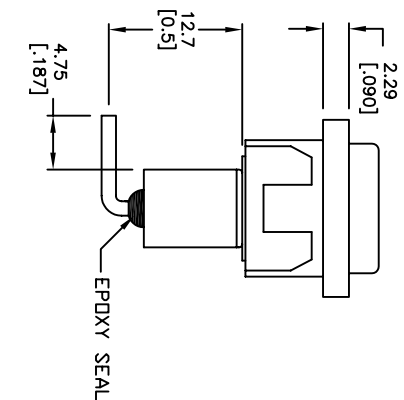
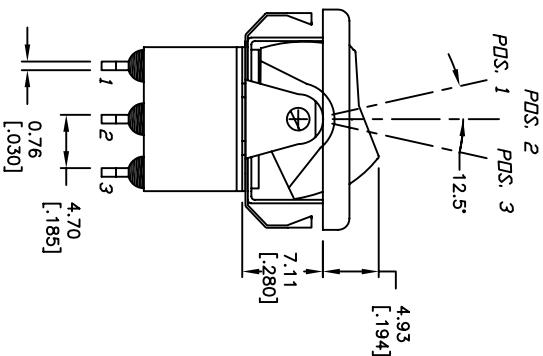


RECOMMENDED PANEL MOUNTING

PANEL THICKNESS

1.52 TD 3.18

* DIMENSION IS 15.75/15.88 FOR PANEL THICKNESS BETWEEN 1.52mm TD 3.18mm



EPDXY SEAL

NOTES:

1. ALL DIMENSIONS IN MM [INCH]
2. GENERAL TOLERANCE: X.X=±0.4 X.XX=±0.25
3. TERM. NOS. FOR REF. ONLY
4. RATING: 0.4VA @20V max.
5. MATERIAL: FIXED TERMINAL & MOVING CONTACT
Copper Alloy w/Gold Plate over Nickel plate.
6. CONTACT RESISTANCE: 10mlll Ohms max initial @2-4VDC, 100mA for AG & AU
7. ELECTRICAL LIFE: 40,000 make-and-break cycles at full load.
8. INSULATION RESISTANCE: 1,000M ohm min.
9. DIELECTRIC STRENGTH: 1000V RMS @sea level
10. OPERATING TEMP.: -30°C to 85°C
11. ▲ DENOTES CRITICAL PARAMETER.
12. 2002/95/EC (ROHS) COMPLIANT

C	17364	FIXED 11.78 DIM TD 12.7	6/6/07	TN
B	13971	CORRECT SWITCH FUNCTION	4/29/04	AR
A	13621	RELEASED FOR PRODUCTION	11/25/03	AR
REV.	ECN No.	DESCRIPTION	DATE	CHKD

THE INFORMATION CONTAINED IN THIS DOCUMENT IS PROPRIETARY TO E-SWITCH AND IS NOT TO BE COPIED OR TRANSMERED



300SP4R6BLKM6REBLK

SCALE	DATE	DR	DWG	REV
2:1	6/6/07	TN	T314033	C