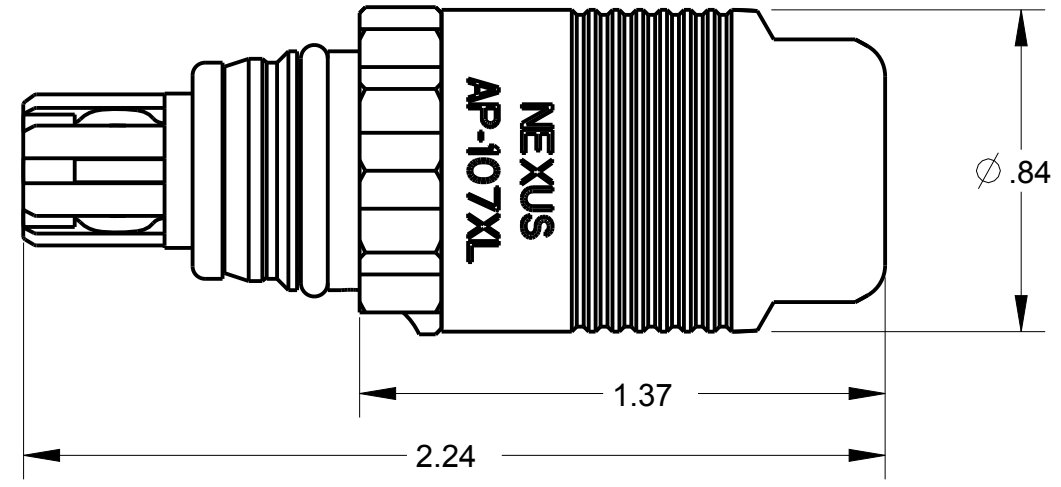
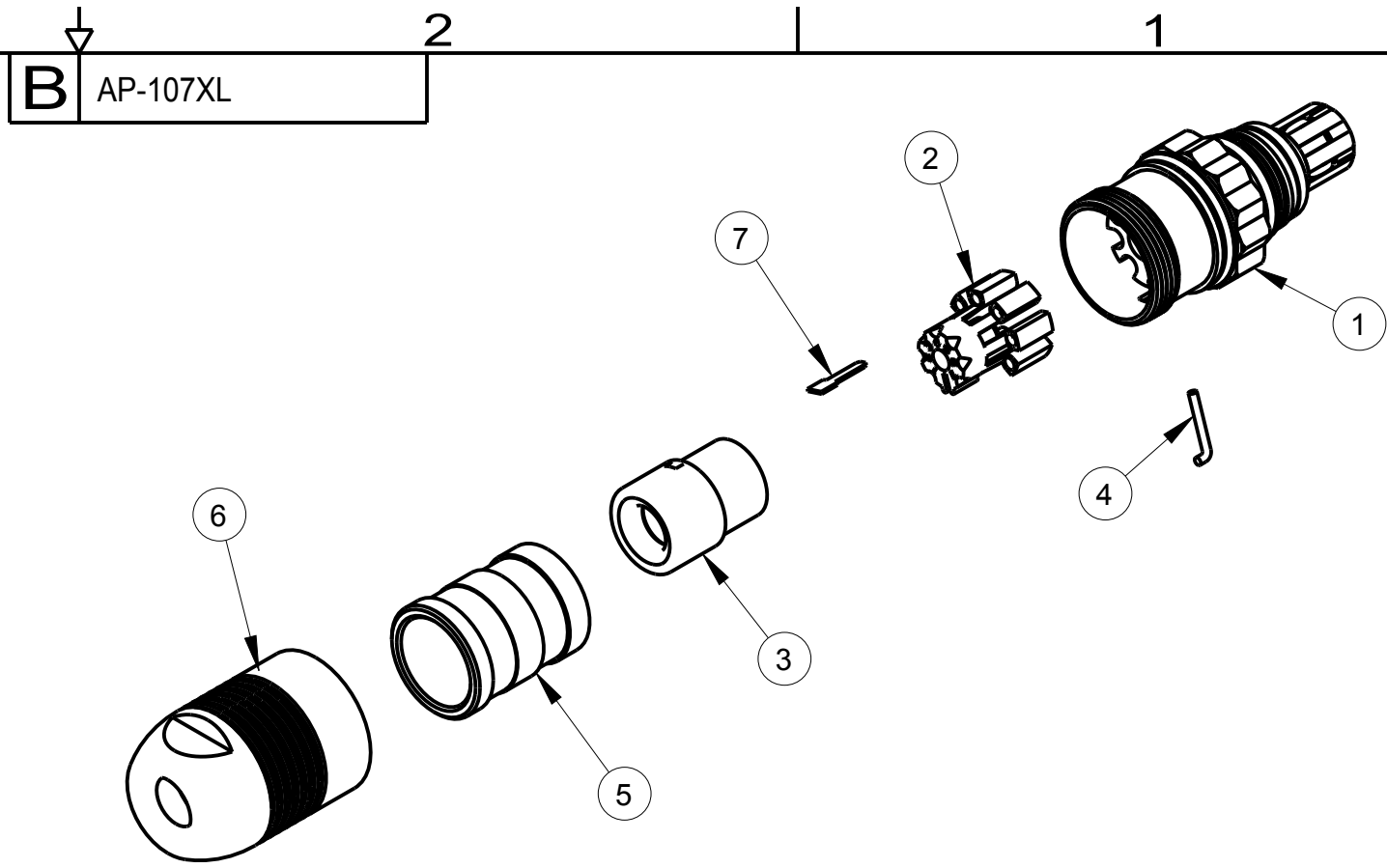
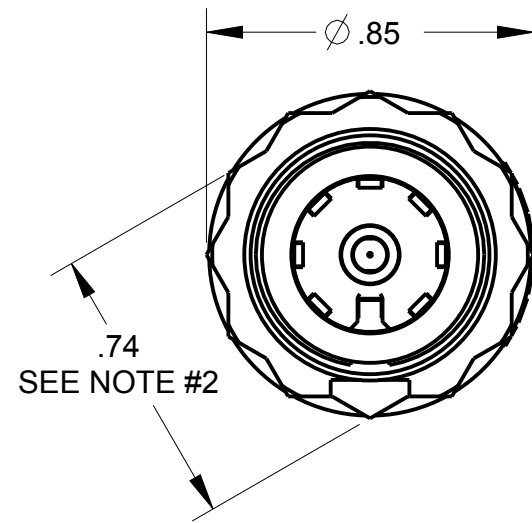


ITEM #	PART #	QTY	DESCRIPTION
1	AP-107-28	1	PLUG BODY ASSEMBLY
2	AP-107-3BXL	1	CABLE HOLDER, PLUG
3	AP-107-27	1	CABLE SEAL ASSEMBLY
4	AP-107-9	1	RETAINER, PIN
5	AP-107-4	1	SLEEVE
6	AP-107-10XL	1	SHELL - PLUG
7	AP-107-25	1	SHIM

NOTES:

- 1) THIS PART MATES WITH AJ-107XL, SEVEN CONDUCTOR WATERPROOF AUDIO JACK
- 2) CONFIGURATION IS FOR 3/4-12 PT SOCKET WRENCH



THIS DOCUMENT CONTAINS PROPRIETARY INFORMATION OF NEXUS, INCORPORATED AND SUCH INFORMATION MAY NOT BE DISCLOSED TO OTHERS FOR ANY PURPOSE OR USED FOR ANY PURPOSE WITHOUT THE WRITTEN CONSENT OF NEXUS.

					DWN.BY	IDH	DATE	1/21/86	MATERIAL		
					CHECKED BY	RWF	DATE	2/20/86	FINISH		
					APPR. BY	JRJ	DATE	4/22/91	WEIGHT	SCALE = 1.00 :1	
C	ADD: BOM & EXPLODED VIEW	219	2/20 2015	HR	UNLESS OTHERWISE SPECIFIED: DIMENSIONS ARE IN INCHES &/OR [mm] TOLERANCES: DECIMAL: .XX[X.X] .XXX[X.XX] ± .0X[0.X] ± .00X[0.0X] FRACTION: X/X X/XX ANGLES: .X ± .X°					<b>NEXUS</b> STAMFORD, CONN	
B	CHG: AP-107-10XL2 TO AP-107-10XL		4/22 1991	JRJ							
A	VIEWS CHANGED		8/12 1988		TITLE SEVEN CONDUCTOR WATERPROOF AUDIO PLUG DO NOT SCALE DWG. SHEET 1 OF 1					SIZE	DWG. NO.
LET.	REVISION	CN #	DATE	CHK.						B	AP-107XL