

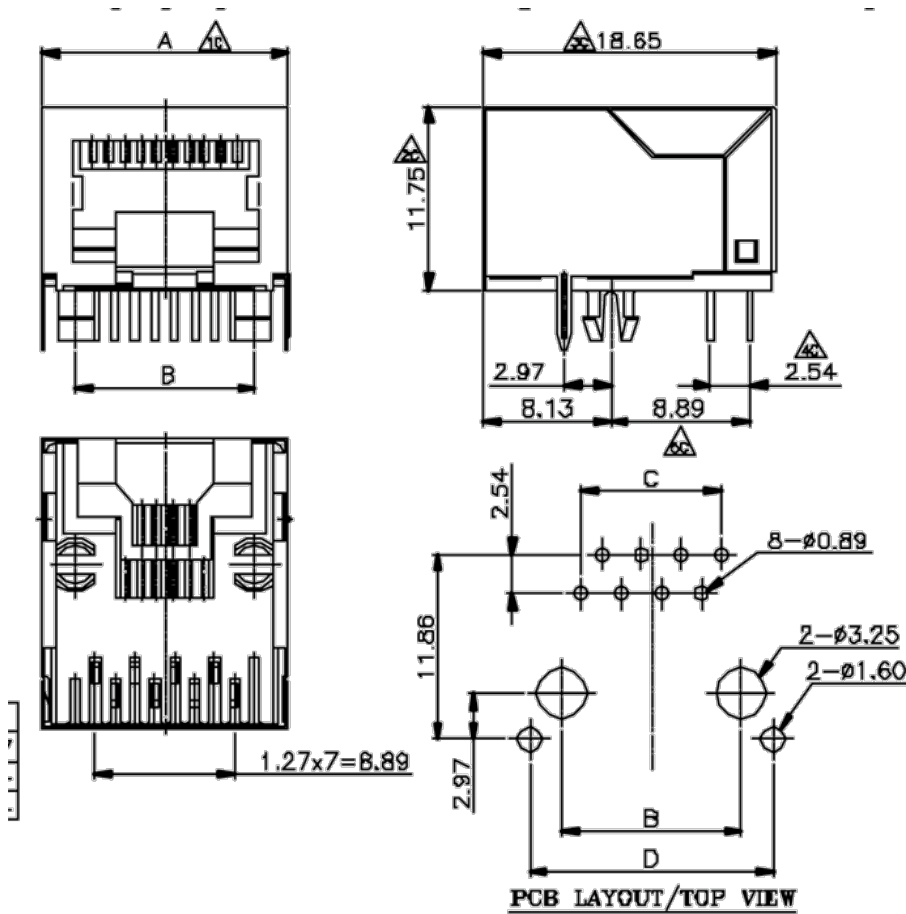
### Very Low Profile PCB Jack(Side Entry,Shielded)

**Materials**

Housing: PBT+30% glass-fiber UL94V-0 Black  
 Contacts: 0.35mm thickness alloy, gold plating over nickel in contact area  
 Tin Plating over nickel in solder area

Directive 2002/95/EC  
„RoHS“  
Compliant

Pin	A	B	C	D
6	13.56	10.16	6.35	13.57
8	15.74	11.43	8.89	15.54
10	15.74	11.43	11.43	15.54



### Order Information

**33TS3004 S - 88 B**  
 1 2 3 4

**1. Series No.**  
33TS3004

**2.Contact Type**  
S : Shielded

**3. No. Of Contacts**  
 64:6P4C  
 66:6P6C  
 88:8P8C  
 1010:10P10C

**4. Gold Plating**  
 B: 6µ"  
 For other plating options  
 contact factory

**Note:**  
Packed in tray

