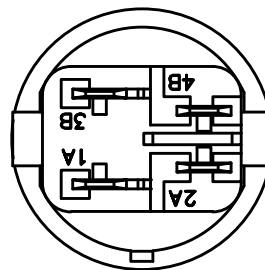
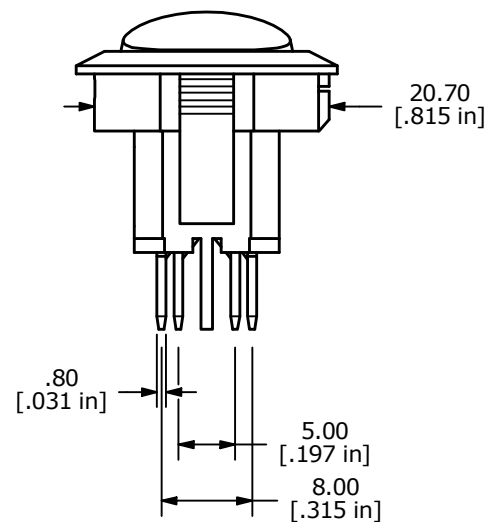
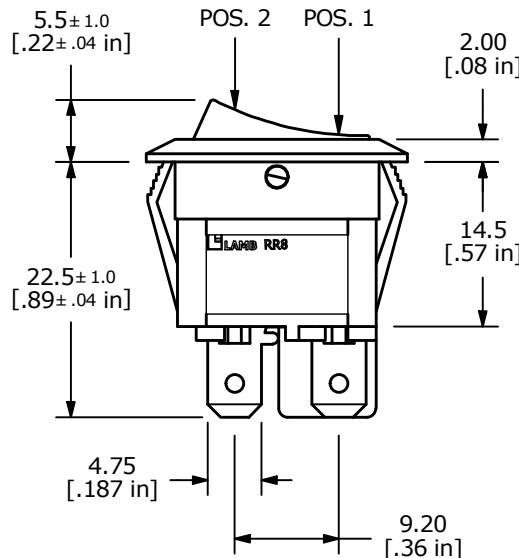
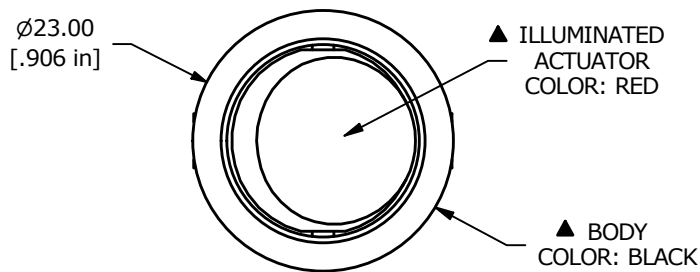
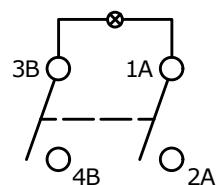


PANEL THICKNESS	(X) DIM.
0.75 TO 1.25	20.2mm
1.25 TO 2.00	20.4mm
2.00 TO 3.00	20.6mm



SWITCH FUNCTION	
POS. 1	POS. 2
OFF	ON
OPEN	3B-4B, 1A-2A



▲ CIRCUIT: DPST  
FUNCTIONS  
OFF - ON

NOTE:

1. DIMENSIONS IN MM [INCH]
2. GENERAL TOLERANCE: X.X = ± 0.4  
X.XX = ± 0.25
3. TERMINAL NUMBERS FOR REF ONLY
- ▲ 4. CONTACT MATERIAL: SILVER
- ▲ 5. CONTACT RATING: 16A 125VAC [UR, cUR]  
10A 250VAC [UR, cUR]  
1/3HP 125/250VAC [UR, cUR]
6. CONTACT RESISTANCE: 35mΩ MAX. @ 50VAC
7. INSULATION RESISTANCE: 100MΩ MIN. @ 500VAC
8. DIELECTRIC STRENGTH: 1,500VAC FOR 1 MINUTE
9. ELECTRICAL LIFE: 6,000 CYCLES [UR, cUR]
10. OPERATING TEMPERATURE: -20°C to 105°C [UR, cUR]
11. ▲ DENOTES CRITICAL PARAMETER
- ▲ 12. LENS COLOR: RED
- ▲ 13. LAMP VOLTAGE: 250V

REV	ECO NO	DESCRIPTION	DATE	BY
B	ECO-100707	REMOVE VDE/ENEC RATING AND LOGO	03/09/23	JS



OBJECT ID  
000001525

TITLE RR812C1000-117				
SCALE 3:2	DATE 1/25/2021	DR MW	DWG 38-RR812C1000117	REV B