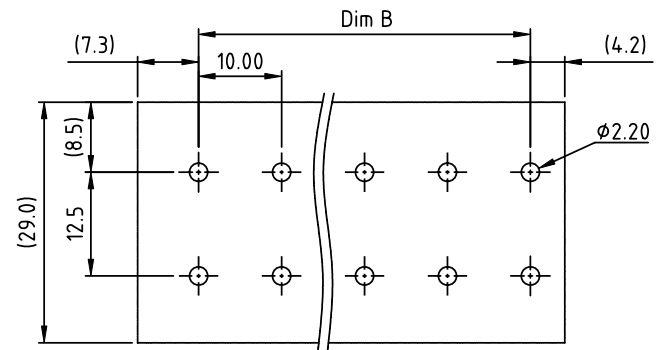
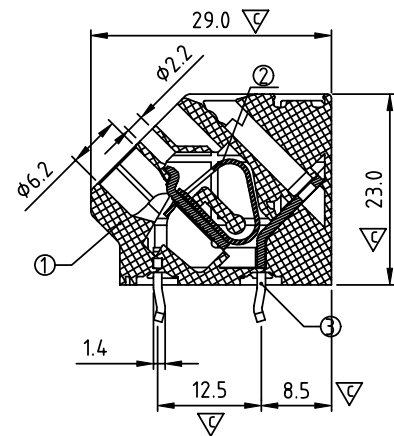
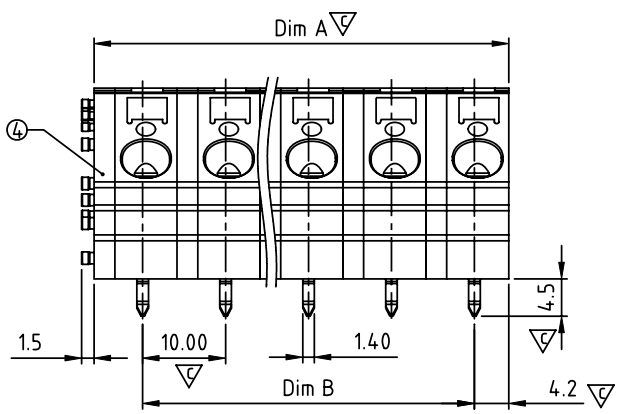
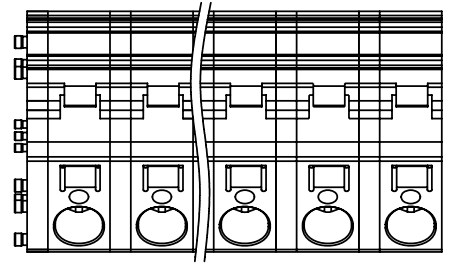


SIGN	DATE	DESCRIPTION	APPROVER
△	01/22'13	update the drawing	Da cheng
THIS IS CAD DRAWING, DO NOT REVISE MANUALLY!!!			



△ P.C.B. LAYOUT  
Top view

POLE	1	2	3	4	5	6
Dim A	12.50	20.00	30.00	40.00	50.00	60.00
Dim B		10.00	20.00	30.00	40.00	50.00
Tol.	±0.25					
POLE	7	8	9	10	11	12
Dim A	70.00	80.00	90.00	100.00	110.00	120.00
Dim B	60.00	70.00	80.00	90.00	100.00	110.00
Tol.	±0.40					

- △ Material:
- Item ① Insulator(housing): Thermoplastic ( UL94V-0 )
  - Item ② Spring clamp: Stainless steel
  - Item ③ Terminal Body(contact pin): Brass, Tin plated
  - Item ④ Insulator(Cover): Thermoplastic ( UL94V-0 )
  - Item ⑤ Pad board: Thermoplastic ( UL94V-0 )

- Electrical: cULus
- Voltage rating: 300V
  - Current rating: 10A
  - Wire range:
  - Solid wire(AWG): 10-24
  - Stranded wire(AWG): 10-24
  - Wire strip length: 11-12mm
  - Withstanding Voltage: 1.6KV
  - Operating temperature: -40°C to +115°C
  - △ ● Soldering temperature: 260°C±5°C/5 Sec
  - Safety Approval:
  - △ ● Critical dimension: ▽

H2 xx 10 x 0 xxxx G

△ No. OF POLES

- 01 : 1 POLES
- 02 : 2 POLES
- ...
- 12 : 12 POLES

△ COLOR

- 0 : BLACK
- 2 : Red (RAL3001/D)
- 5 : GREEN (RAL 6018/T)
- 8 : GREY (RAL 7004/P)
- C : Multiple colors

RoHS compliant (lead<4%) △  
In copper Alloy  
0000: "@" Logo (Standard)  
000A: "ANYTEK" Mark  
Any special item by customer request, please contact sales department.

# ANYTEK

## CUSTOMER COPY

ALL RIGHTS RESERVED. REPRODUCTION OR ISSUE TO THRD PARTIES IN ANY FORM WHATEVER IS NOT PERMITTED WITHOUT WRITTEN AUTHORITY FROM THE PROPRIETOR. PROPERTY OF ANYTEK TECHNOLOGY CO., LTD

TITLE	H2 10.0 Series				DWG NO.	8H20002	
PART NO.	H2xx10x0xxxxG				CUST NO.		
APPROVED	CHECKED	DESIGNED	DRAWN			Tolerance	
		Da cheng 2013.01.22	Da cheng 2013.01.22			X.	±0.50
						X.X	±0.30
						SHEET: 01/01	
						X*	±1*