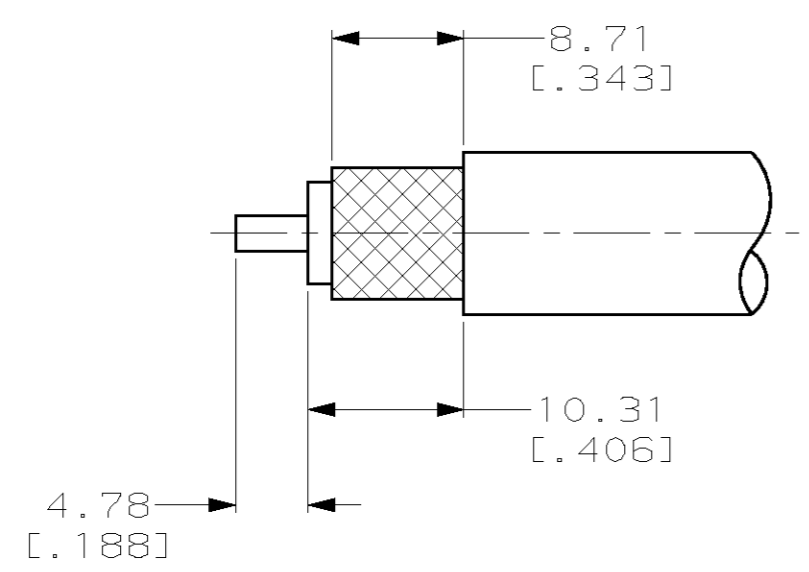


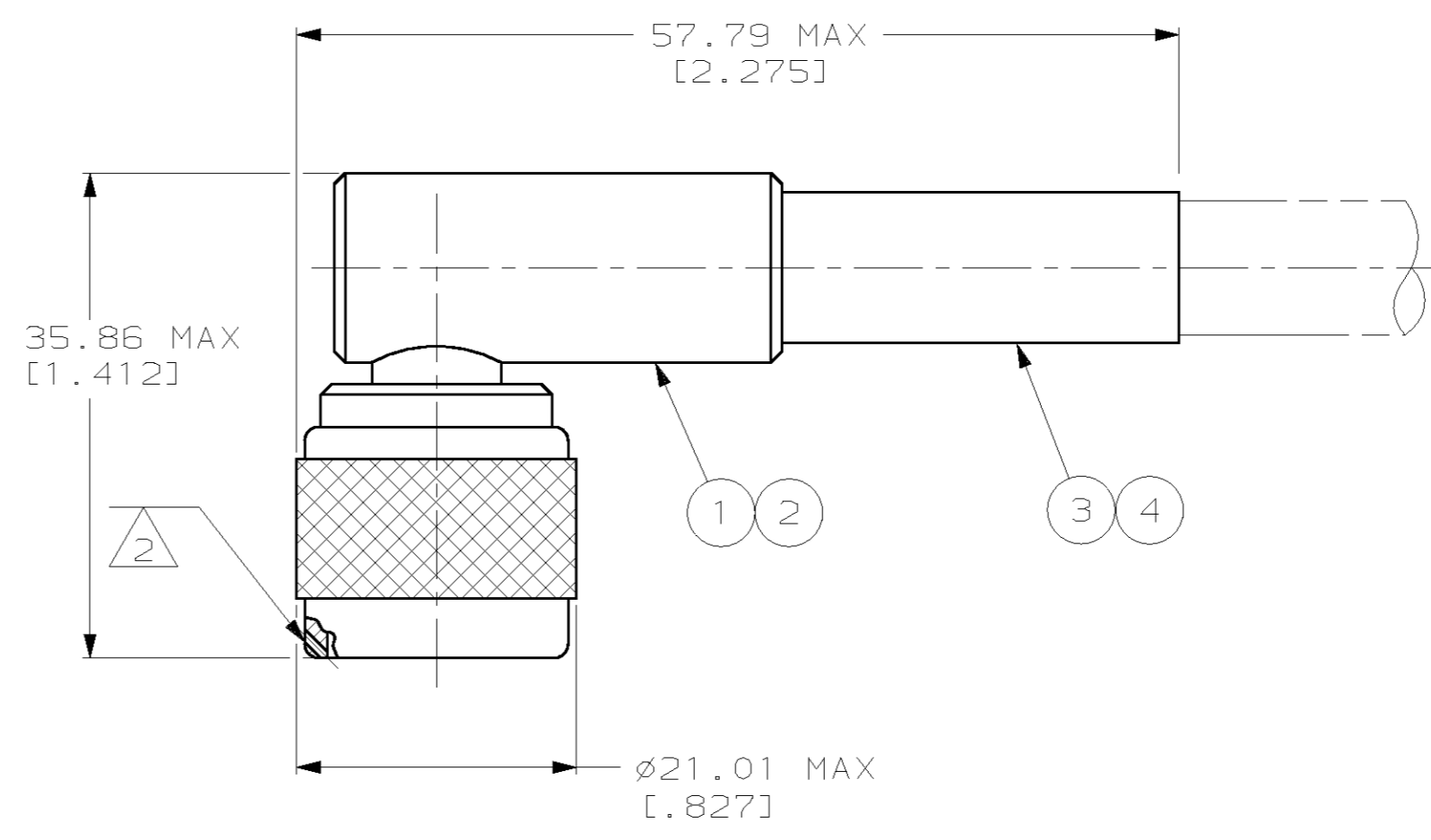
THIS DRAWING IS UNPUBLISHED.
 DIFFUSION RESEINTE AMP
 (C) COPYRIGHT BY TYCO ELECTRONICS CORPORATION ALL RIGHTS RESERVED.
 TOUS DROITS RESERVES.

LOC	DIST	REVISIONS			
P	LTR	DESCRIPTION	DATE	DWN	APVD
	REV	MODIFICATIONS		DESS.	APP.
	D	REACTIVATE -5	16-NOV-04	JJD	-
	E	UPDATE	01-FEB-05	JJD	-

- PARTS PACKAGED UNASSEMBLED
- △ THREE SAFTEY WIRE HOLES $\phi 0.61$ [0.024] MINIMUM, EQUALLY SPACED AROUND CIRCUMFERENCE
- CRIMP TOOL: 220045-2
- SEE I.S. 408-2028-5



RECOMMENDED STRIP LENGTH



SUPERSEDED BY 225394-2	FILECA F1703/94 & FILOTEX 50 MFCFB	225908-1	331256	1-51704-0	225249-1	225365-5
	RG-142/U, 142A/U & 142B/U	-	225382-2	225106-3	225383-1	225365-4
OBSOLETE	-	-	-	-	-	225365-3
SUPERSEDED BY 225394-1	RG-55/U & 223/U	-	225382-2	225106-1	225383-1	225365-2
SUPERSEDED BY 225394-4	RG-58A/U & 58C/U	-	225381-2	225106-1	225383-1	225365-1
	CABLE SIZE	④ GASKET QTY=1	③ FERRULE QTY=1	② CONTACT QTY=1	① PLUG ASSY QTY=1	PART NUMBER

THIS DRAWING IS A CONTROLLED DOCUMENT. CE PLAN EST UN DOCUMENT CONTROLE.		DWN/DESSINE JJ-DESPRETZ CHK/VERIFIE Y-PETRONIN APVD/APPROUVE Y-PETRONIN	16-NOV-04	TYCO ELECTRONICS FRANCE SAS BP 39, 95301 CERGY-PONTOISE CEDEX	
DIMENSIONS: mm 		TOLERANCES UNLESS OTHERWISE SPECIFIED: (SUIV NB DE DECIMALES): 0-PLC/DEC ± 1-PLC/DEC ± 2-PLC/DEC ±0.41 3-PLC/DEC ± 4-PLC/DEC ± ANGLES ±		NAME TITRE PLUG, RIGHT ANGLE SERIES N	
MATERIAL MATIERE	FINISH FINITION	WEIGHT MASSE APPROX.	70 gr	SIZE FORMAT	A2
CUSTOMER DRAWING/PLAN CLIENT		UNIQUEMENT POUR REFERENCE	SCALE ECHELLE	1 : 1	SHEET FEUILLE
				1	OF DE
				1	REV E