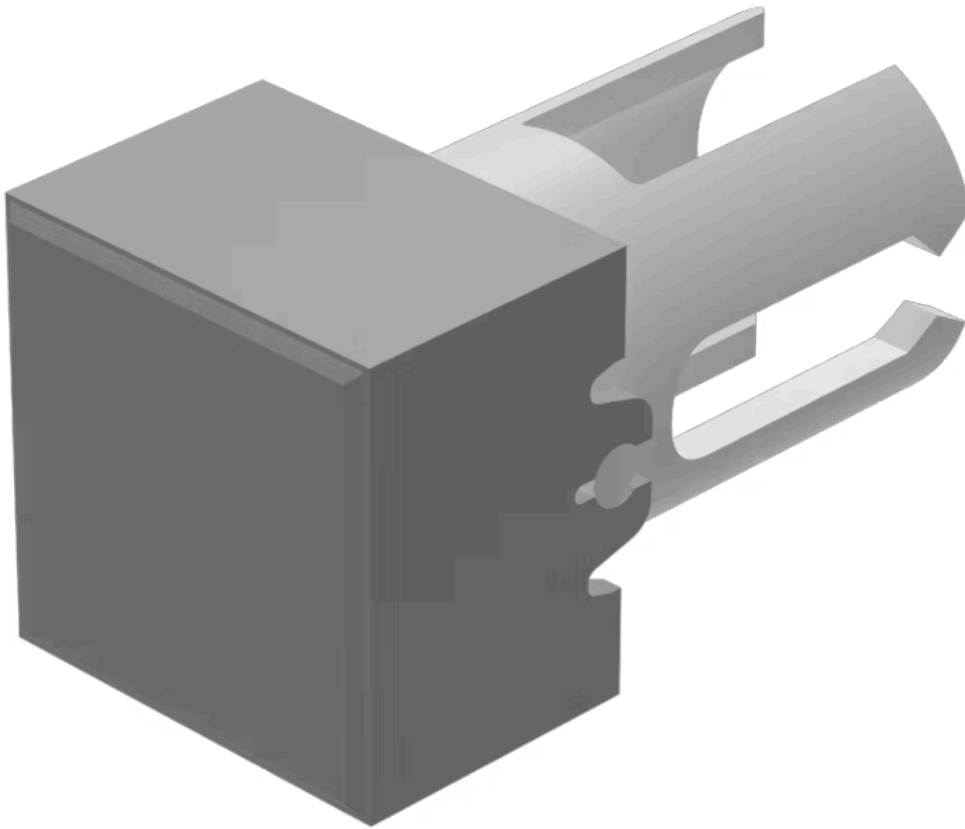


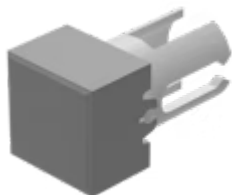
Lens

19-
951.8



<https://eao.com/p/19-951.8>

Your product:



19-951.8 Lens

OPERATING-/INDICATION PART

Lens colour:	Grey
Lens shape:	flush
Lens material:	Plastic
Lens optics:	opaque
Lens illumination:	non illuminative

MECHANICAL CHARACTERISTIC

Weight:	0.001 kg
----------------	----------

OTHER

Dimension:	7.3 mm x 7.3 mm
Short Description:	Lens, 7.3 mm x 7.3 mm, non illuminative, Grey, flush, Plastic