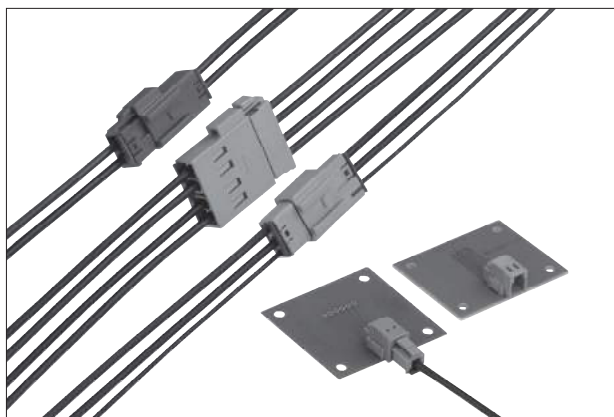


GT21 Series

— Compact Coaxial Cable Connector —

〈In-line type and Board type〉



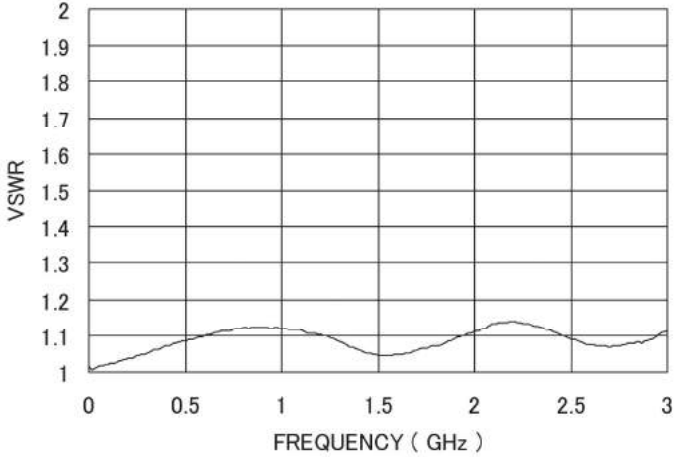
■ Features

- Consistent harness quality: “One-step” crimping design for center and outer conductors. Operators can complete harnessing without touching the center conductor. Therefore, the positional precision of the center conductor can be maintained regardless of the operators’ skill levels.
- Reduced harnessing man-hours ... “One-step” crimping of the center and outer conductors helps reduce harnessing man-hours.
- Space-saving design ... Even smaller than our GT5 Series.
- Excellent high frequency characteristics ... V.S.W.R. is 1.5 or less from DC to 2.5 GHz.
- The GT21 Series supports coaxial wire diameters up to $\phi 3.1\text{mm}$.

■ Applications

Digital TV, radio, automobile sensors (temperature, pressure, etc.), VICS, GPS, Bluetooth, TEL, satellite radio, etc.

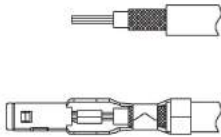
TEST DATA (using 1.5D-2V Type cable)



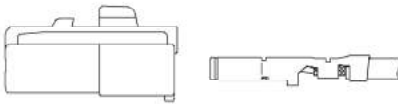
Note : The above measurement data is for GT21-1S-HU and GT21-1P-DS.

Cable Assembly Instructions

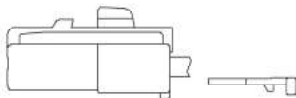
- Strip the cable and crimp the entire terminal in one step.



- Insert the terminal into the housing and check that the lance is locked.



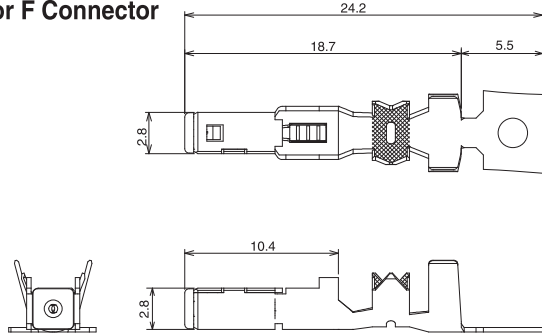
- Insert the retainer into the housing. Check that the lock is secure and the retainer cannot be pulled out. Connection is now complete.



Jan. 1, 2022, Copyright 2022 HIROSE ELECTRIC CO., LTD. All Rights Reserved. GT21
 GT5
 GT13
 GT16
 GT19
 GT21
 FH65
 FH40
 FH35
 FH67

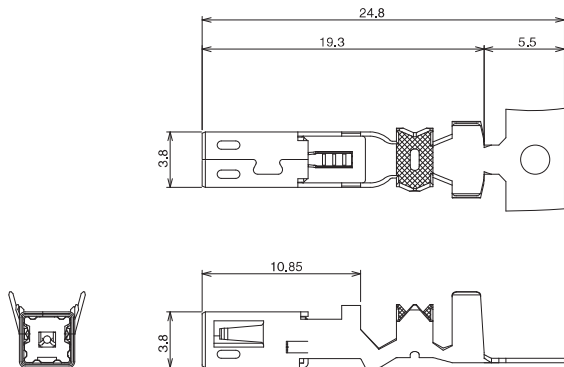
GT21 Series

Coaxial Cable Terminal for F Connector



Part No.	HRS No.	Material / Finish or color	Conductor size	Insulator outer diameter	Jacket outer diameter	Sales unit	RoHS
GT21-30/1.6-2.9SCF	771-0012-4	Insulator : PPS/Black Center terminal : Phosphor bronze/Tin plating Outer terminal : Brass/Tin plating	AWG#30 strand wire	$\phi 1.5 \sim 2.0$	$\phi 2.6 \sim 3.1$	5,500 pcs/reel	
GT21-30/1.6-2.9SCF(ID)	771-0057-2		AWG#30 single wire				
GT21-2428/1.6-2.9SCF	771-0004-6		AWG#24~28				
GT21-30/1.1-2.2SCF	771-0040-0		Single $\phi 0.32$ strand wire				
GT21B-2426/1.6-2.9SCF	771-0087-0	Center terminal : Phosphor bronze/Tin plating Insulator : PBT	AWG24~26	$\phi 1.5 \sim 2.0$	$\phi 2.6 \sim 3.1$	2,000 pcs/reel	
GT21D-1822/F4-5SCF	771-0111-0	Outer terminal : Brass/Tin plating	AWG18~22	$\phi 2.6 \sim 3.2$	$\phi 4.8 \sim 5.2$	1,200 pcs/reel	

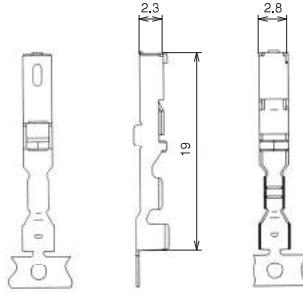
Coaxial Cable Terminal for M Connector



Part No.	HRS No.	Material / Finish or color	Conductor size	Insulator outer diameter	Jacket outer diameter	Sales unit	RoHS
GT21-30/0.7-1.5PCF	771-0056-0	Insulator : PBT/Black Center terminal : Brass /Tin plating Outer terminal : Brass/Tin plating	AWG#30 strand wire	$\phi 0.6 \sim 0.9$	$\phi 1.4 \sim 1.8$	5,000 pcs/reel	
GT21-30/1.6-2.9PCF	771-0051-6		AWG#30 strand wire				
GT21-30/1.6-2.9PCF(ID)	771-0066-3		AWG#24~28				
GT21-2428/1.6-2.9PCF	771-0013-7	Center terminal : Brass /Tin plating Insulator : PBT	AWG24~26	$\phi 1.5 \sim 2.0$	$\phi 2.6 \sim 3.1$	2,000 pcs/reel	
GT21B-2426/1.6-2.9PCF	771-0088-0		AWG18~22				
GT21D-1822/F4-5PCF	771-0112-0	Outer terminal : Brass/Tin plating	AWG18~22	$\phi 2.6 \sim 3.2$	$\phi 4.8 \sim 5.2$	1,200 pcs/reel	

Jan. 1, 2022, Copyright 2022 HIROSE ELECTRIC CO., LTD., All Rights Reserved. GT21
 GT5
 GT13
 GT16
 GT19
 FH65
 FH40
 FH35
 FH67

Power Terminal for F Connector

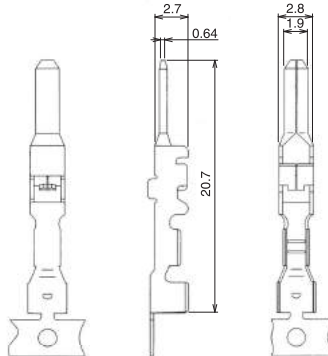


Part No.	HRS No.	Material	Finish	Conductor size	Jacket outer diameter	Sales unit	RoHS
GT7-2022SCF(70)	757-0001-1 70	Copper alloy	Tin plating	AWG#20~22	φ1.4~2.4	5,000 pcs/reel	○
GT7A-2022SCF(70)	757-0003-7 70				φ2.6~3.1	3,300 pcs/reel	

Note 1 : This product is sold in units of reels. (See the table above for number of pcs per reel.)

Note 2 : This product cannot be used with housings from other manufacturers.

Power Terminal for M Connector

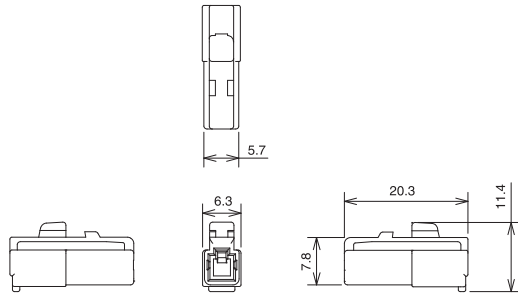
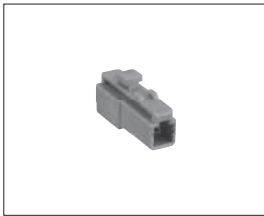


Part No.	HRS No.	Material	Finish	Conductor size	Jacket outer diameter	Sales unit	RoHS
GT7-2022PCF(70)	757-0002-4 70	Brass	Tin plating	AWG#20~22	φ1.4~2.4	5,000 pcs/reel	○
GT7A-2022PCF(70)	757-0004-0 70				φ2.6~3.1	3,300 pcs/reel	

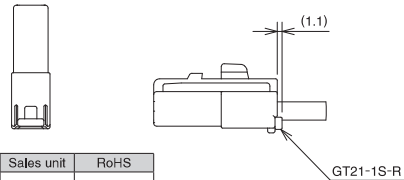
Note 1 : This product is sold in units of reels. (See the table above for number of pcs per reel.)

Note 2 : This product cannot be used with housings from other manufacturers.

■ Housing for F Connector (1 Coaxial)



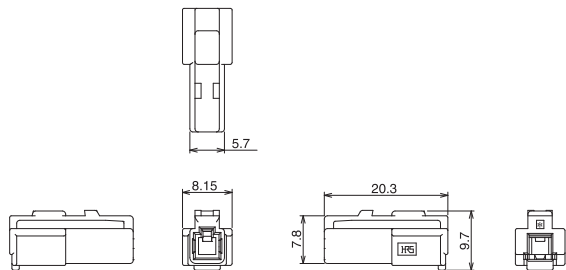
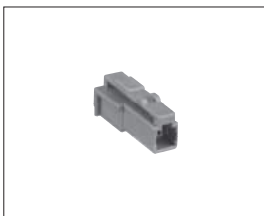
◆ Retainer installed



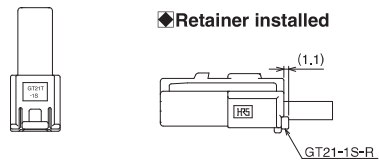
Part No.	HRS No.	Material	Color	Key position	Sales unit	RoHS
GT21-1S-HU	771-0005-9	PBT	Light gray	Standard	1	○
GT21-1S-HU(A)	771-0031-9		Brown	(A)		
GT21-1S-HU(B)	771-0032-1		Green	(B)		
GT21-1S-HU(C)	771-0033-4		Blue	(C)		

*Applicable terminal : Coaxial terminal for GT21 Series F connector
 *Use together with retainer (GT21-1S-R) sold separately.

■ Housing for F Connector (1 Coaxial)



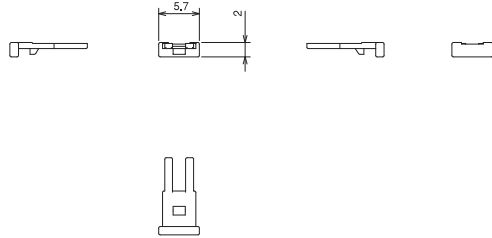
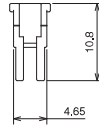
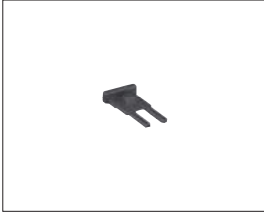
◆ Retainer installed



Part No.	HRS No.	Material	Color	Sales unit	RoHS
GT21-1S-HU	771-0018-0	PBT	Light gray	1	○

*Applicable terminal : Coaxial terminal for GT21 Series F connector
 *Use together with retainer (GT21-1S-R) sold separately.

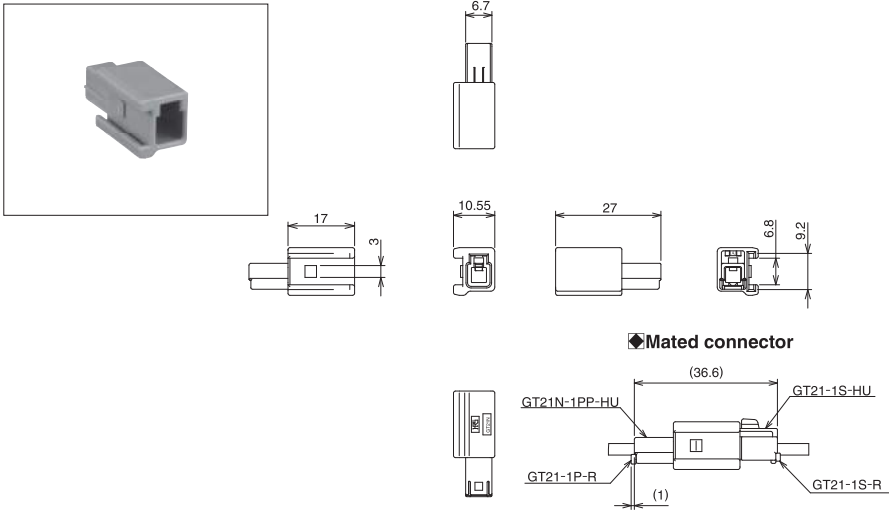
■ Retainer for F Connector (1 Coaxial)



Part No.	HRS No.	Material	Color	Sales unit	RoHS
GT21-1S-R	771-0006-1	PBT	Dark gray	1	○

Jan. 1, 2022, Copyright 2022 HIROSE ELECTRIC CO., LTD., All Rights Reserved. GT21

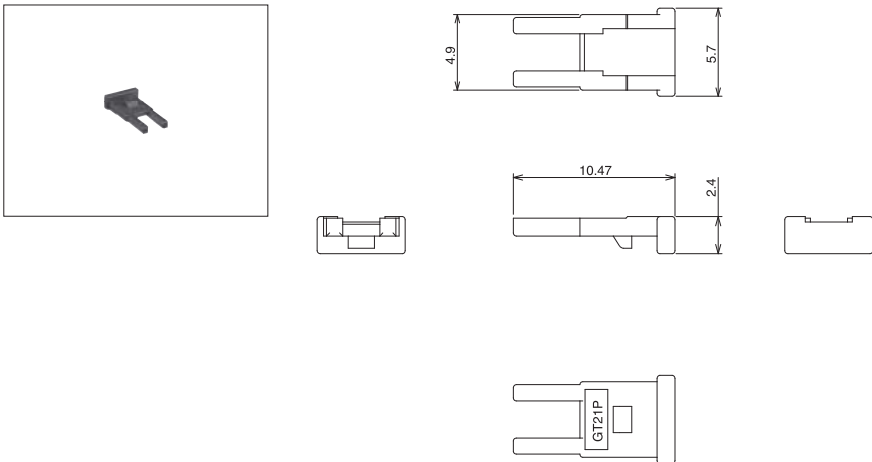
■ Housing for M Connector (1 Pole Coaxial, Bracket N type)



Part No.	HRS No.	Material	Color	Sales unit	RoHS
GT21N-1PP-HU	771-0015-2	PBT	Light gray	1	○

*Applicable terminal : Coaxial terminal for GT21 Series M connector
 *Use together with retainer (GT21-1P-R) sold separately.

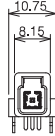
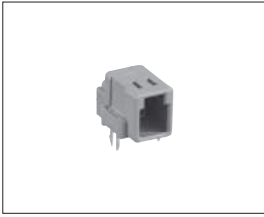
■ Retainer for M Connector (1 Coaxial)



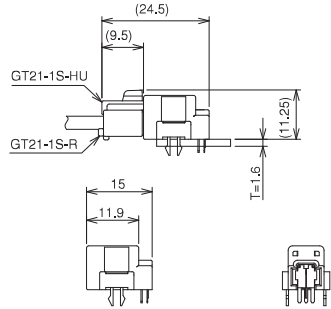
Part No.	HRS No.	Material	Color	Sales unit	RoHS
GT21-1P-R	771-0016-5	PBT	Dark gray	1	○

Jan. 1, 2022, Copyright 2022 HIROSE ELECTRIC CO., LTD., All Rights Reserved. GT21 GT5 GT13 GT16 GT19 GT21 FH65 FH40 FH35 FH67

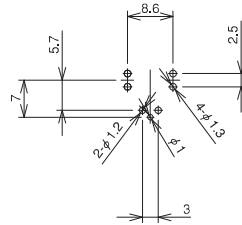
Board Connector (1 Coaxial, DIP type)



Mated connector

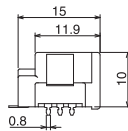
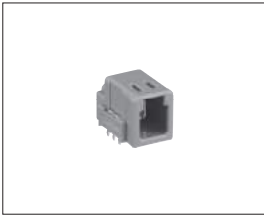


Recommended Board Dimensions

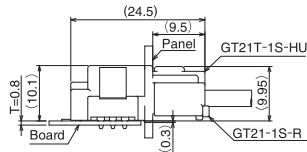


Part No.	HRS No.	Material / Finish or color	Sales unit	RoHS
GT21-1P-DS	771-0007-4	Housing : PPS/ Light gray Center terminal : Copper alloy /Tin plating Outer terminal : Copper alloy /Tin plating Metal reinforcement : Copper alloy /Tin plating	1	○

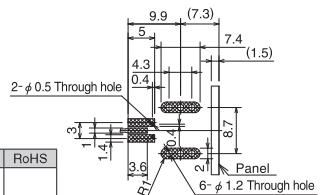
Board Connector (1 Coaxial, SMT type)



Mated connector

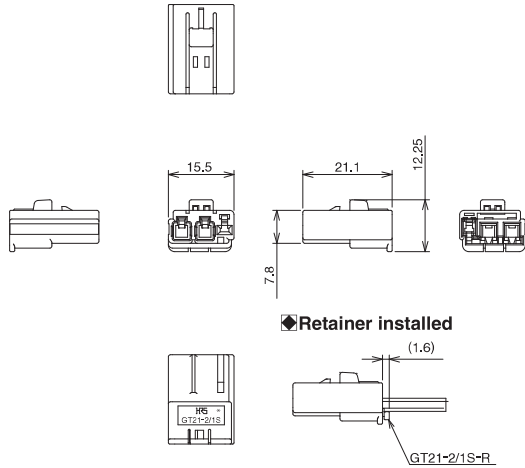
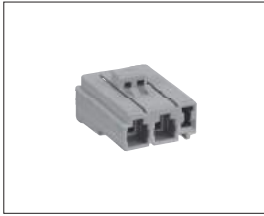


Recommended Board Dimensions



Part No.	HRS No.	Material / Finish or color	Sales unit	RoHS
GT21T-1P-H(55)	771-0014-0 55	Housing : PA/ Light gray Center terminal : Copper alloy /Tin plating Outer terminal : Copper alloy /Tin plating Metal reinforcement : Copper alloy /Tin plating	400 pcs/reel	○

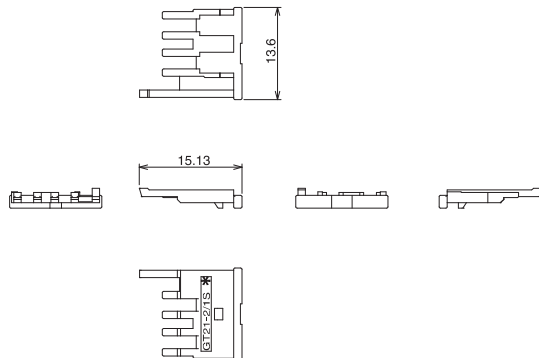
■ Housing for F Connector (2 Coaxial + 1 Power)



Part No.	HRS No.	Material	Color	Sales unit	RoHS
GT21-2/1S-HU	771-0058-5	PBT	Dark gray	1	○

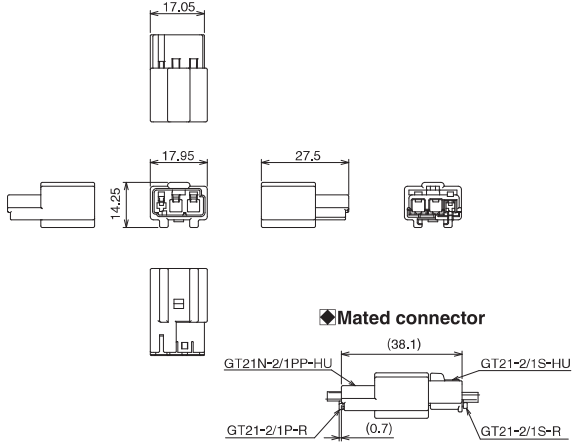
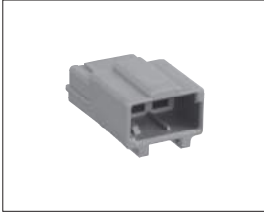
*Applicable terminal : Coaxial terminal for GT21 Series F connector
 Power terminal for GT21 Series F connector
 *Use together with retainer (GT21-2/1S-R) sold separately.

■ Retainer for F Connector (2 Coaxial + 1 Power)



Part No.	HRS No.	Material	Color	Sales unit	RoHS
GT21-2/1S-R	771-0059-8	PBT	Dark gray	1	○

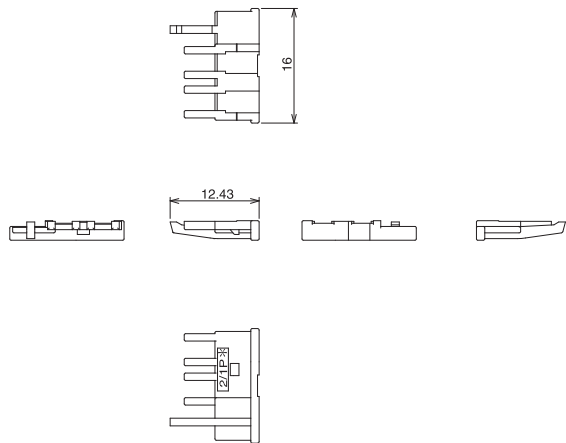
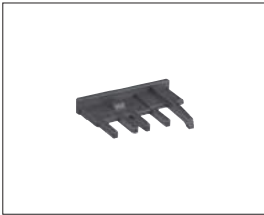
■ Housing for M Connector (2 Coaxial + 1 Power, Bracket N type)



Part No.	HRS No.	Material	Color	Sales unit	RoHS
GT21N-2/1PP-HU	771-0060-7	PBT	Light gray	1	○

*Applicable terminal : Coaxial terminal for GT21 Series M connector
 Power terminal for GT21 Series M connector
 *Use together with retainer (GT21-2/1P-R) sold separately.

■ Retainer for M Connector (2 Coaxial + 1 Power)

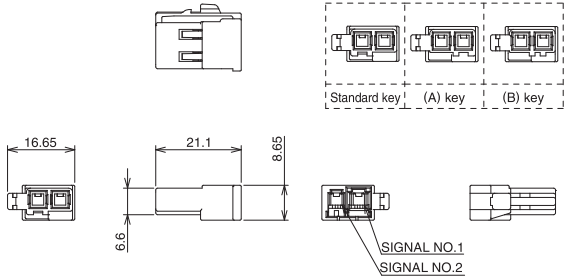


Part No.	HRS No.	Material	Color	Sales unit	RoHS
GT21-2/1P-R	771-0061-0	PBT	Dark gray	1	○

GT21A Series

Both OD ϕ 3.1 & 5.2mm coax cable applicable ver.

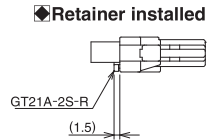
■ Housing for F Connector (2 Coaxial)



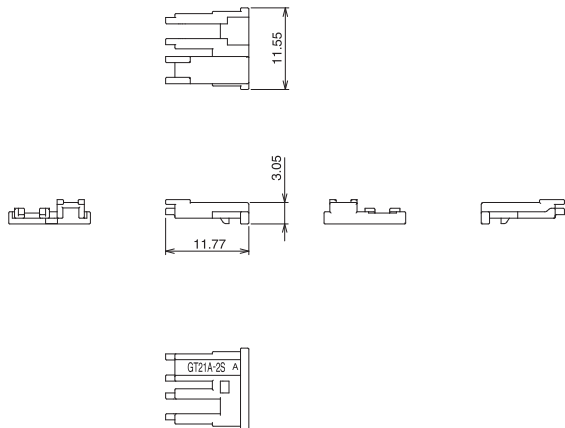
Signal No.	Max cable diameter
1	ϕ 5.2
2	ϕ 3.1

Part No.	HRS No.	Material	Color	Key position	Sales unit	RoHS
GT21A-2S+HU	771-0044-0	PBT	Light gray	Standard	1	○
GT21A-2S+HU(A)	771-0048-1		Brown	(A)		
GT21A-2S+HU(B)	771-0068-9		Green	(B)		

*Applicable terminal : Coaxial terminal for GT21 Series F connector
 *Use together with retainer (GT21A-2S-R) sold separately.

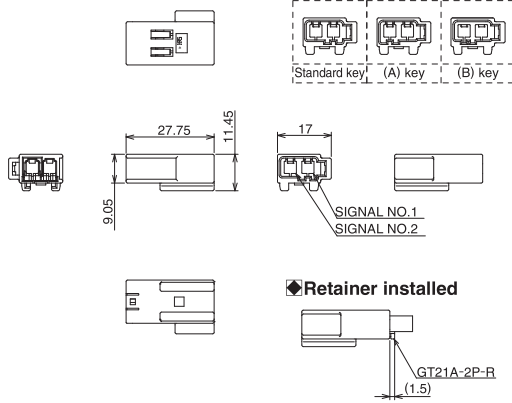


■ Retainer for M Connector (2 Coaxial)



Part No.	HRS No.	Material	Color	Sales unit	RoHS
GT21A-2S-R	771-0046-6	PBT	Dark gray	1	○

■ Housing for M Connector (2 Coaxial, Bracket N type)

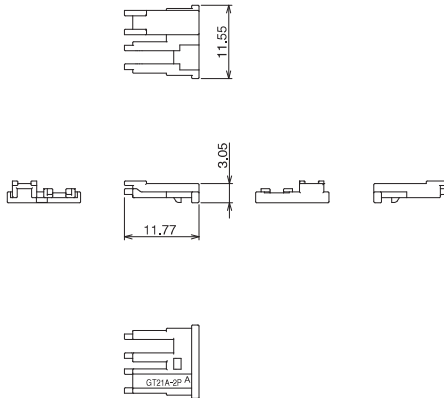


Signal No.	Max cable diameter
1	φ5.2
2	φ3.1

Part No.	HRS No.	Material	Color	Key position	Sales unit	RoHS
GT21AN-2PP-HU	771-0045-3	PBT	Light gray	Standard	1	○
GT21AN-2PP-HU(A)	771-0049-4		Brown	(A)		
GT21AN-2PP-HU(B)	771-0069-1		Green	(B)		

*Applicable terminal : Coaxial terminal for GT21 Series M connector
 *Use together with retainer (GT21A-2P-R) sold separately.

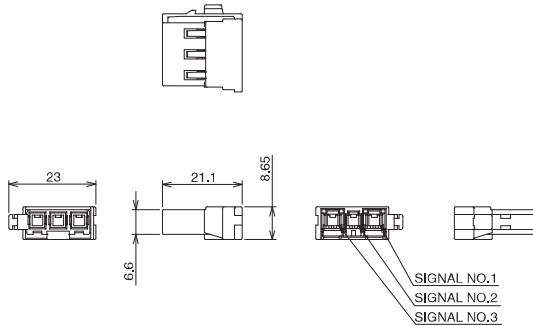
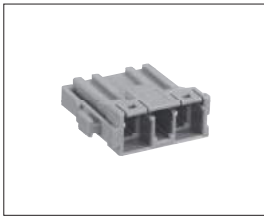
■ Retainer for M Connector (2 Coaxial)



Part No.	HRS No.	Material	Color	Sales unit	RoHS
GT21A-2P-R	771-0047-9	PBT	Dark gray	1	○

Jan. 1, 2022, Copyright 2022 HIROSE ELECTRIC CO., LTD. All Rights Reserved. GT21 GT13 GT16 GT19 FH65 FH40 FH35 FH67

■ Housing for F Connector (3 Coaxial)

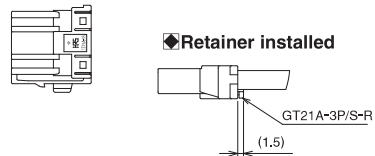


Signal No.	Max cable diameter
1	φ5.2
2	φ3.1
3	φ5.2

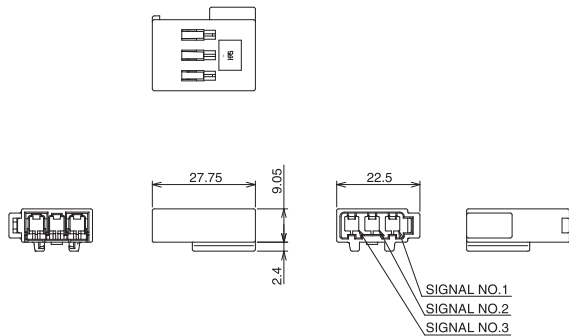
Part No.	HRS No.	Material	Color	Sales unit	RoHS
GT21A-3S-HU	771-0036-2	PBT	Light gray	1	○

*Applicable terminal : Coaxial terminal for GT21 Series F connector

*Use together with retainer (GT21A-3P/S-R) sold separately.



■ Housing for M Connector (3 Coaxial, Bracket N type)

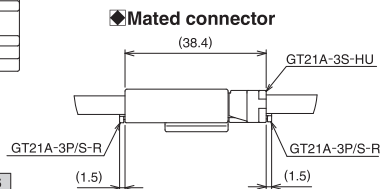


Signal No.	Max cable diameter
1	φ5.2
2	φ3.1
3	φ5.2

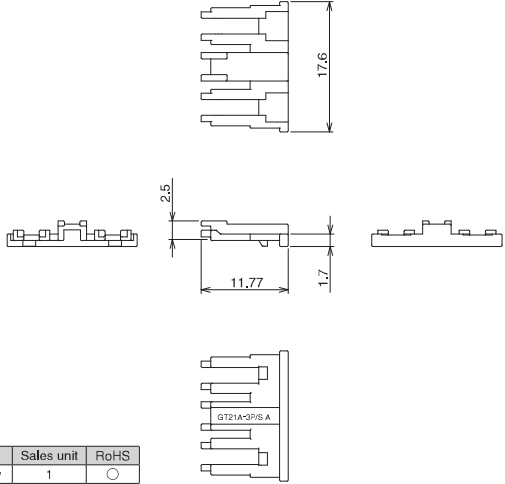
Part No.	HRS No.	Material	Color	Sales unit	RoHS
GT21AN-3PP-HU	771-0037-5	PBT	Light gray	1	○

*Applicable terminal : Coaxial terminal for GT21 Series M connector

*Use together with retainer (GT21A-3P/S-R) sold separately.

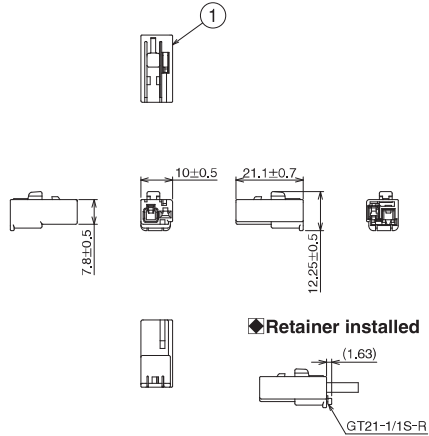
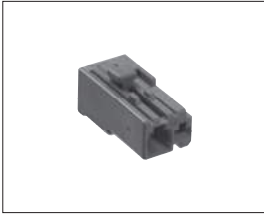


Common Retainer for F and M Connectors (3 Coaxial)



Part No.	HRS No.	Material	Color	Sales unit	RoHS
GT21A-3P/S-R	771-0038-8	PBT	Dark gray	1	○

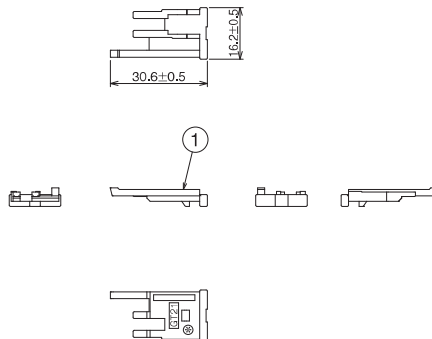
GT5
 GT13
 GT16
 GT19
 GT21
 GT22
 GT23
 GT24
 GT25
 GT26
 GT27
 GT28
 GT29
 GT30
 GT31
 GT32
 GT33
 GT34
 GT35
 GT36
 GT37
 GT38
 GT39
 GT40
 GT41
 GT42
 GT43
 GT44
 GT45
 GT46
 GT47
 GT48
 GT49
 GT50
 GT51
 GT52
 GT53
 GT54
 GT55
 GT56
 GT57
 GT58
 GT59
 GT60
 GT61
 GT62
 GT63
 GT64
 GT65
 GT66
 GT67
 GT68
 GT69
 GT70
 GT71
 GT72
 GT73
 GT74
 GT75
 GT76
 GT77
 GT78
 GT79
 GT80
 GT81
 GT82
 GT83
 GT84
 GT85
 GT86
 GT87
 GT88
 GT89
 GT90
 GT91
 GT92
 GT93
 GT94
 GT95
 GT96
 GT97
 GT98
 GT99
 GT100

GT21C SeriesThick power cable ($\phi 2.6 \sim 3.1$ mm) applicable ver.**■ Housing for F Connector (1 Coaxial + 1 Power)**

Part No.	HRS No.	Material	Color	Key position	Sales unit	RoHS
GT21C-1/1S-HU	771-0106-0	PBT	Black	Standard	1	○
GT21C-1/1S-HU(A)	771-0107-0		Brown	(A)		

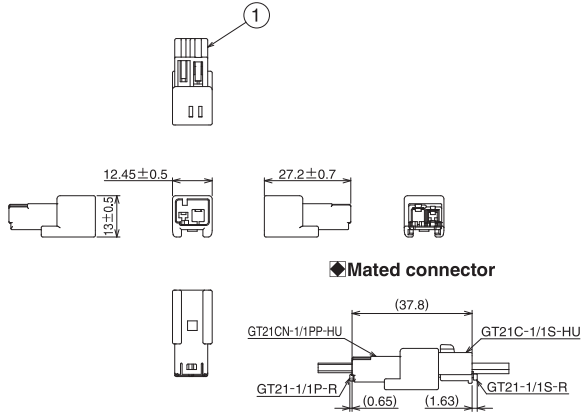
*Applicable terminal : Coaxial terminal for GT21 Series F connector and Power terminal (GT7 or GT7A)

*Use together with retainer (GT21-1/1S-R) sold separately.

■ Retainer for F Connector (1 Coaxial + 1 Power)

Part No.	HRS No.	Material	Color	Sales unit	RoHS
GT21-1/1S-R	771-0009-0	PBT	Dark gray	1	○

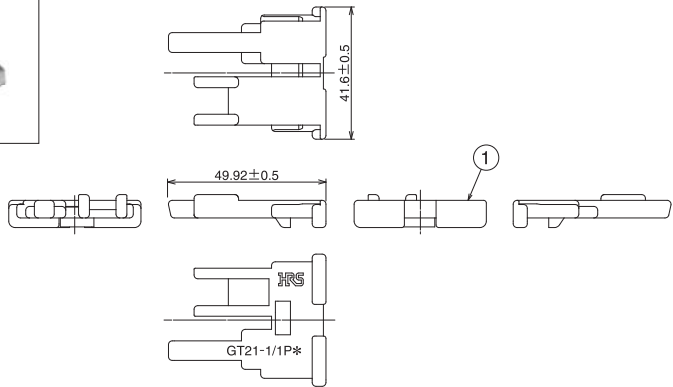
■ Housing for M Connector (1 Coaxial + 1 Power)



Part No.	HRS No.	Material	Color	Key position	Sales unit	RoHS
GT21CN-1/1PP-HU	771-0108-0	PBT	Black	Standard	1	○
GT21CN-1/1PP-HU(A)	771-0109-0		Brown	(A)		

*Applicable terminal : Coaxial terminal for GT21 Series F connector and Power terminal (GT7 or GT7A)
 *Use together with retainer (GT21-1/1P-R) sold separately.

■ Retainer for M Connector (1 Coaxial + 1 Power)

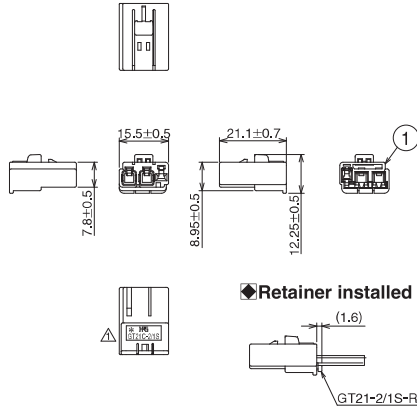


Part No.	HRS No.	Material	Color	Sales unit	RoHS
GT21-1/1P-R	771-0076-0	PBT	Dark gray	1	○

GT5
GT13
GT16
GT19
GT21
GT36
GT43
GT17
GT32
GT25
KM37
ZE05
ZG012
HM-H-200
ZB64W
H2021L
FX26
DE40
DF40GL
FH28K
FH2K
FH65
FH40
FH63S
FH67

Jan. 1. 2022 Copyright 2022 HIROSE ELECTRIC CO., LTD. All Rights Reserved.

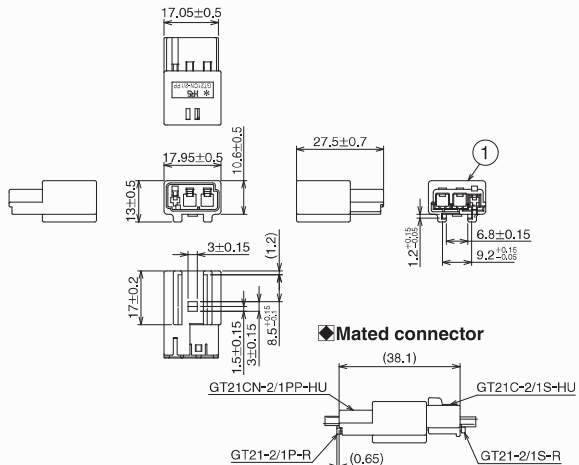
■ Housing for F Connector (2 Coaxial + 1 Power)



Part No.	HRS No.	Material	Color	Key position	Sales unit	RoHS
GT21C-2/1S-HU	771-0058-5	PBT	Light gray	Standard	1	○
GT21C-2/1S-HU(A)	771-0101-0		Brown	(A)		
GT21C-2/1S-HU(B)	771-0102-0		Green	(B)		

*Use together with retainer (GT21-2/1S-R) sold separately.

■ Housing for M Connector (2 Coaxial + 1 Power, Bracket N type)

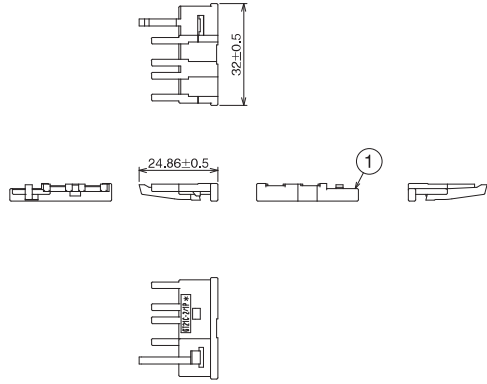


Part No.	HRS No.	Material	Color	Key position	Sales unit	RoHS
GT21CN-2/1PP-HU	771-0060-7	PBT	Light gray	Standard	1	○
GT21CN-2/1PP-HU(A)	771-0104-0		Brown	(A)		
GT21CN-2/1PP-HU(B)	771-0105-0		Green	(B)		

*Use together with retainer (GT21-2/1P-R) sold separately.

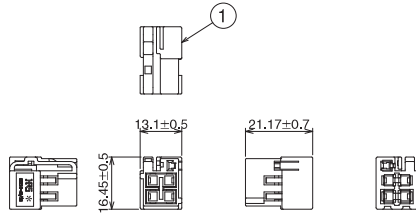
Jan. 1, 2022, Copyright 2022 HIROSE ELECTRIC CO., LTD. All Rights Reserved. GT21 GT5 GT13 GT16 GT19 GT21 FH65 FH40 FH35 FH67

Retainer for M Connector (2 Coaxial + 1 Power)

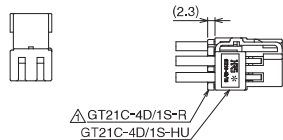


Part No.	HRS No.	Material	Color	Sales unit	RoHS
GT21C-2/1P-R	771-0110-0	PBT	Dark gray	1	○

Housing for F Connector (4 Coaxial + 1 Power)



Retainer installed



△ Note 1 : When assembling, be sure to refer to the following instruction manuals.
 ATAD-T0472, ATAD-T0685, ATAD-T0735

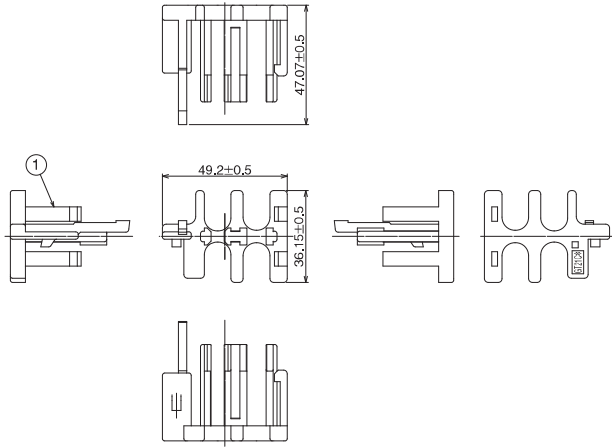
Part No.	HRS No.	Material	Color	Key position	Sales unit	RoHS
GT21C-4D/1S-HU	771-0094-0	PBT	Black	Standard	1	○
GT21C-4D/1S-HU(A)	771-0095-0		Brown	(A)		
GT21C-4D/1S-HU(B)	771-0096-0		Green	(B)		

*Applicable terminal : Coaxial terminal for GT21 Series F connector and Power terminal (GT7 or GT7A)
 *Use together with retainer (GT21C-4D/1S-R) sold separately.

GT5
GT13
GT16
GT19
GT21
GT36
GT43
GT17
GT32
GT25
KM37
ZE05
ZG012
HM-H200
ZE64W
H2071L
FX26
DF40
DF100L
FH28K
FH2K
FH65
FH40
FH63
FH67

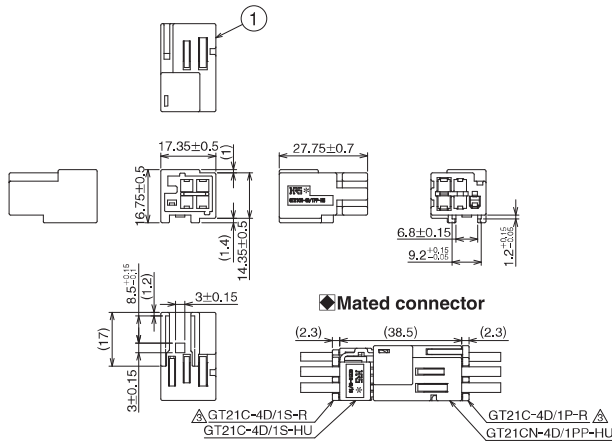
Jan. 1.2022 Copyright 2022 HIROSE ELECTRIC CO., LTD. All Rights Reserved.

■ Retainer for F Connector (4 Coaxial + 1 Power)



Part No.	HRS No.	Material	Color	Sales unit	RoHS
GT21C-4D/1S-R	771-0099-0	PBT	Black	1	○

■ Housing for M Connector (4 Coaxial + 1 Power)

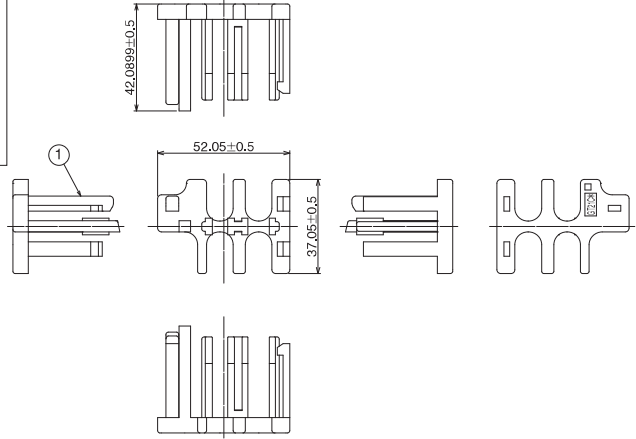


△ Note 1 : When assembling, be sure to refer to the following instruction manuals.
ATAD-T0472, ATAD-T0685, ATAD-T0735

Part No.	HRS No.	Material	Color	Key position	Sales unit	RoHS
GT21CN-4D/1PP-HU	771-0090-0	PBT	Black	Standard	1	○
GT21CN-4D/1PP-HU(A)	771-0091-0		Brown	(A)		
GT21CN-4D/1PP-HU(B)	771-0092-0		Green	(B)		

*Applicable terminal : Coaxial terminal for GT21 Series M connector and Power terminal (GT7 or GT7A)
*Use together with retainer (GT21C-4D/1P-R) sold separately.

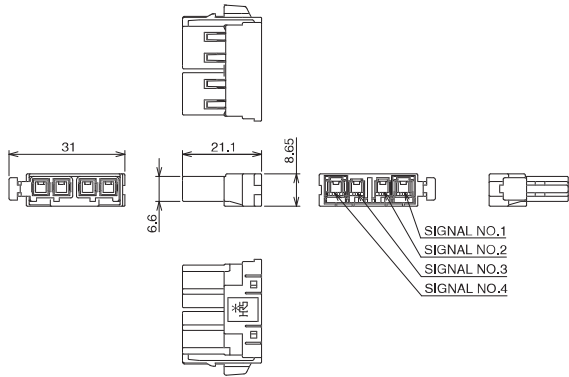
■ Retainer for M Connector (4 Coaxial + 1 Power)



Part No.	HRS No.	Material	Color	Sales unit	RoHS
GT21C-4D/1P-R	771-0098-0	PBT	Black	1	○

Jan. 1, 2022, Copyright 2022 HIROSE ELECTRIC CO., LTD. All Rights Reserved.

■ Housing for F Connector (4 Coaxial)



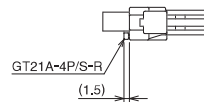
Signal No.	Max cable diameter
1	φ5.2
2	φ3.1
3	φ3.1
4	φ5.2

Part No.	HRS No.	Material	Color	Sales unit	RoHS
GT21A-4S-HU	771-0063-5	PBT	Light gray	1	○

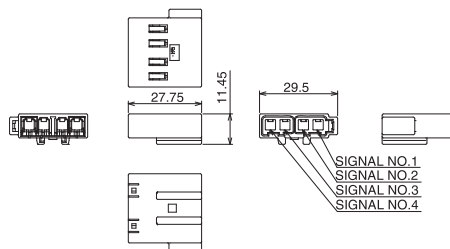
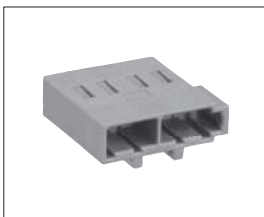
*Applicable terminal : Coaxial terminal for GT21 Series F connector

*Use together with retainer (GT21A-4P/S-R) sold separately.

◆ Retainer installed



■ Housing for M Connector (4 Coaxial, Bracket N type)



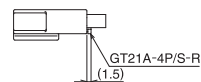
Signal No.	Max cable diameter
1	φ5.2
2	φ3.1
3	φ3.1
4	φ5.2

Part No.	HRS No.	Material	Color	Sales unit	RoHS
GT21AN-4PP-HU	771-0064-8	PBT	Light gray	1	○

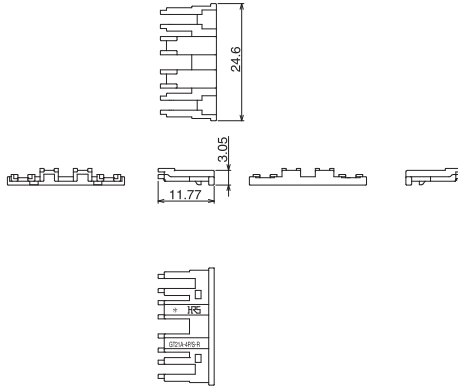
*Applicable terminal : Coaxial terminal for GT21 Series M connector

*Use together with retainer (GT21A-4P/S-R) sold separately.

◆ Retainer installed



Common Retainer for F and M Connectors (4 Coaxial)



Part No.	HRS No.	Material	Color	Sales unit	RoHS
GT21A-4P/S-R	771-0065-0	PBT	Dark gray	1	○

◆ Crimping Tools

Please ask your Hirose Electric account representative for a user manual.

Automatic Crimping Machine



Photo for reference only.
Subject to change.

Part No. CM-105C

Specifications

Item	Specifications	Remarks
Press capacity	1.5tons	
Stroke length	30mm	
Number of strokes	200spm (50Hz)	200spm (60Hz)
Weight	75kg	
Motor	0.2kW	AC100V
Crimping speed	2,000~4,000/H	

*Terminal crimp height setting tables are available for each cable type. Please contact your Hirose Electric account representative. Please note that we will need to define new crimp heights for novel cables and this may take a few days.

*Special reel stand (CM105/RS-ED) and applicator are required for each cable.

Applicator (for Mounting to Automatic Crimping Machines)

Contact Product No.	Contact HRS No.	Tool No.	Tool HRS No.
GT21-30/1.6-2.9SCF	771-0012-4	AP-GT21-30/1629S	901-5203-5
		AP-GT21-30/1629S-2	901-5217-0
GT21-30/1.6-2.9SCF (ID)	771-0057-2	AP-GT21-30/1629SI	901-5201-0
		AP-GT21-2428/1629S	901-5191-8
GT21-2428/1.6-2.9SCF	771-0004-6	AP-GT21-2428/1629S-2	901-5215-4
		AP-GT21-30/0715P	901-5207-6
GT21-30/0.7-1.5PCF	771-0056-0	AP-GT21-30/1629P	901-5208-9
		AP-GT21-30/1629P-2	901-5218-2
GT21-30/1.6-2.9PCF (ID)	771-0066-3	AP-GT21-30/1629PI	901-5219-5
		AP-GT21-2428/1629P	901-5209-1
GT21-2428/1.6-2.9PCF	771-0013-7	AP-GT21-2428/1629P-2	901-5216-7
		AP-GT21B-2426/1629S	901-5247-0
		AP-GT21B-2426/1629P	901-5248-0

Please refer to our cable termination procedure manual for performing terminations.