

THIS DRAWING IS UNPUBLISHED. RELEASED FOR PUBLICATION AUG 2006 .
 © COPYRIGHT 2011 BY TE CONNECTIVITY. ALL RIGHTS RESERVED.

LOC	DIST	REVISIONS			
P	LTR	DESCRIPTION	DATE	DWN	APVD
DW	—	D3	REVISED PER ECR-20-005145	25JUN2021	RM SZ

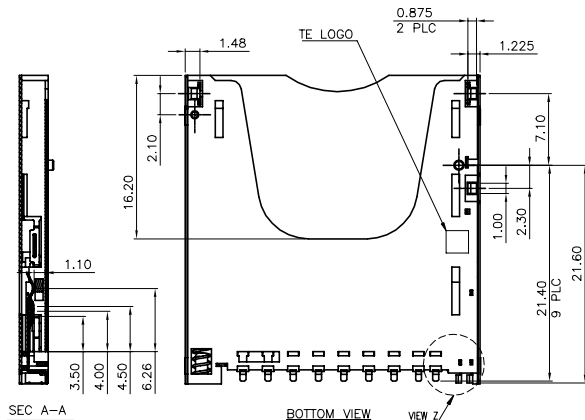
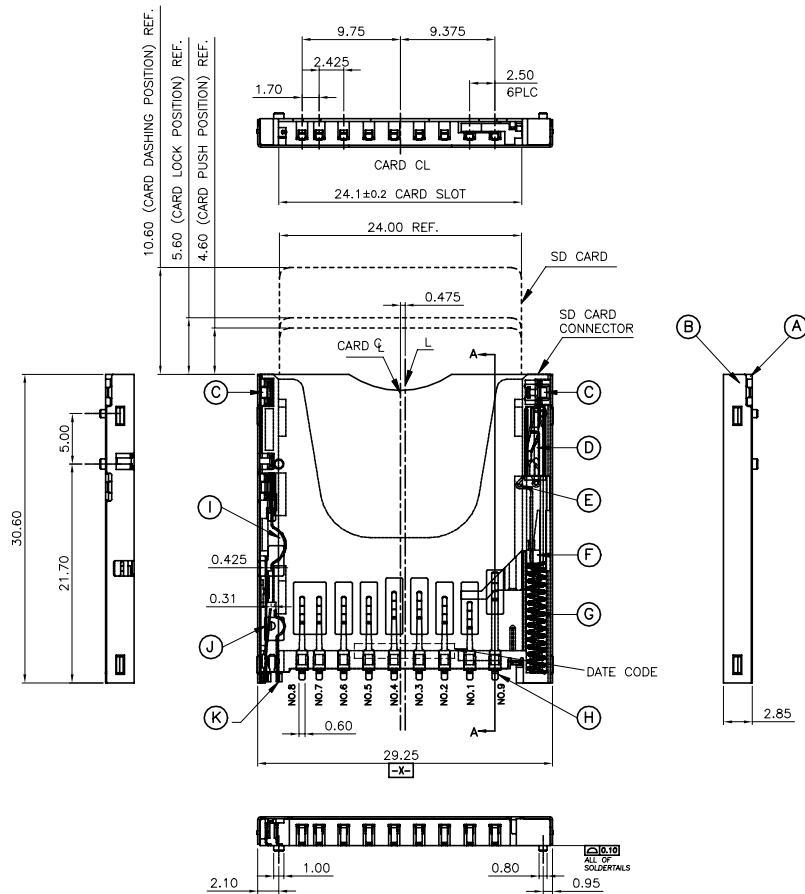
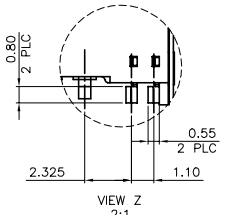
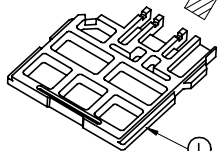
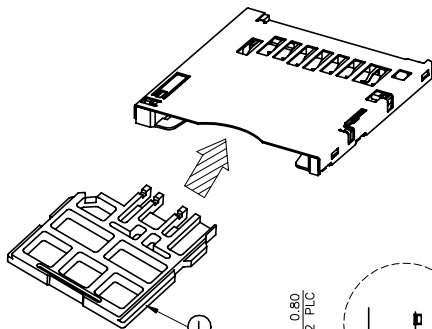
NOTES:

1.

ITEM	PARTS NAME	MATERIAL	FINISH/REMARK
A	HOUSING	TERMOPLASTIC HIGH TEMP	UL94 V-0, BLACK
B	SHELL	STAINLESS	NON-PLATING
C	HOLDDOWN CONTACT	PHOSHPOR BRONZE	100µ" MIN. MATTE-TIN PLATING ON SOLDER TAIL AREA 50µ" MIN. NICKEL UPDERPLATING OVERALL
D	CAM PIN	STAINLESS	NON-PLATING
E	CARD LOCK	PHOSHPOR BRONZE	100µ" MIN. MATTE-TIN PLATING 50µ" MIN. NICKEL UPDERPLATING OVERALL
F	SLIDER CAM	TERMOPLASTIC HIGH TEMP	UL94 V-0, BLACK
G	SPRING	SWP	50µ" MIN. NICKEL UPDERPLATING OVERALL
H	CONTACT-SD	PHOSHPOR BRONZE	GOLD (SEE TABLE) PLATING ON CONTACT AREA 100µ" MIN. MATTE-TIN PLATING ON SOLDER TAILS 50µ" MIN. NICKEL UPDERPLATING OVERALL
I	PROTECT CONTACT		
J	PROTECT CONTACT AND DETECT CONTACT-SWITCH		
K	DETECT CONTACT		
L	FAKE CARD	LCP	BLACK

- 3. APPLIED TO IR SOLDERING PROCESS
- 4. NET WEIGHT: 10 GRAMS.
- 5. OTHERS:
- 5.1 WHEN DELIVERING, THE PSH/PUSH MECHANISM IS IN THE STATE OF THE UNLOCK. (CARD DASHING OUT POSITION)
- 5.2 CARD READ ONLY BY THE TIME THE CARD DETECTION SWITCH WORKS.
- 5.3 OPEN AND CLOSE OF EACH SWITCH.

CARD INSERTION STATUS	WRITE PROTECT SWITCH		DETECT SWITCH
	WRITE PROTECT POSITION	WRITE ENABLE POSITION	
CARD UNINSERTION	OPEN	OPEN	OPEN
CARD HALF INSERTION	COLSE	COLSE	OPEN
CARD INSERTION	OPEN	COLSE	COLSE



0.762µm [30µ"]	1-1775059-1
0.127µm [5µ"]	1775059-1
MIN. GOLD THICKNESS	PART NUMBER

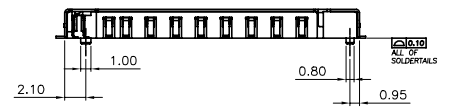
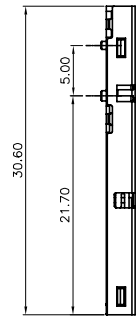
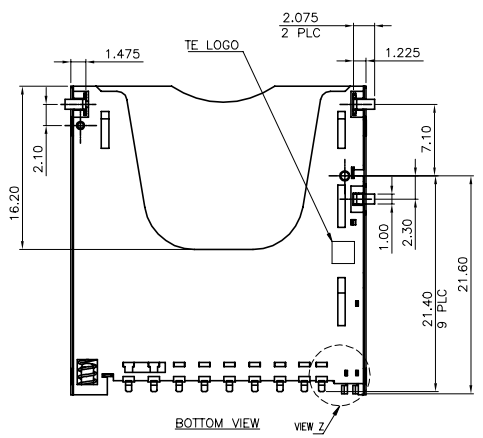
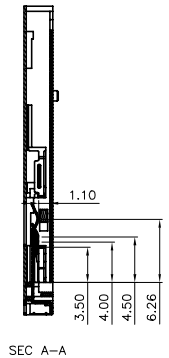
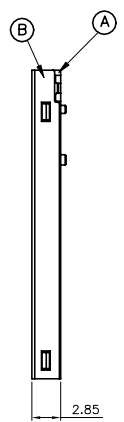
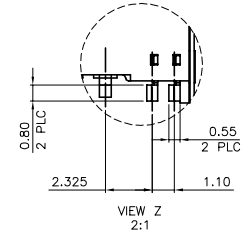
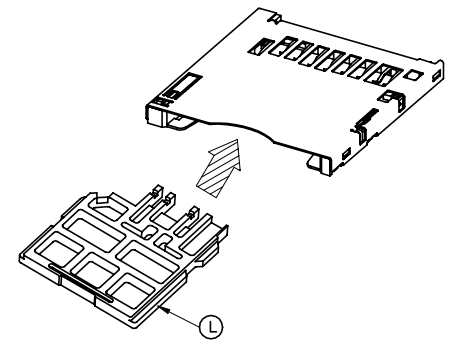
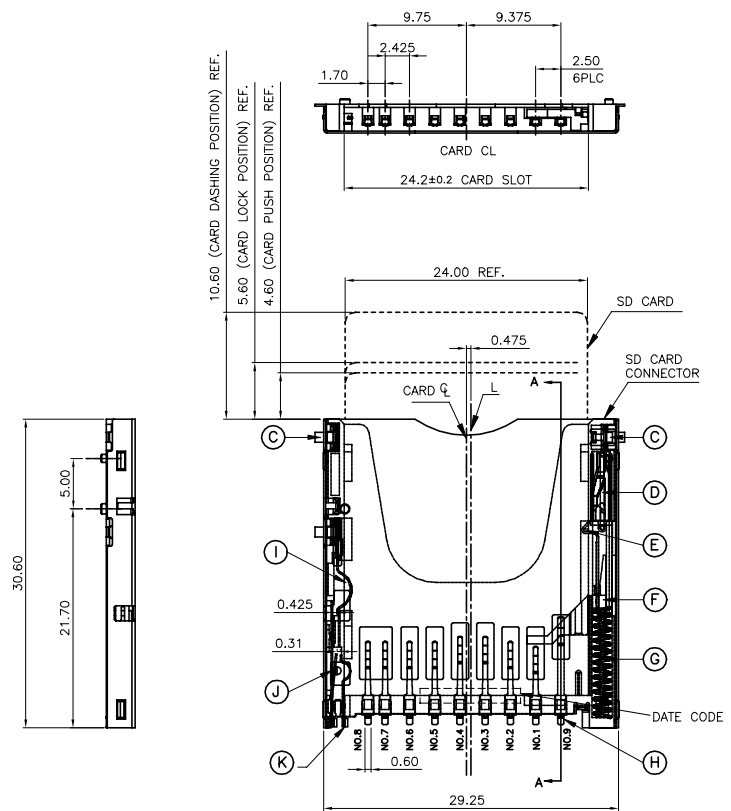
OBsolete

THIS DRAWING IS A CONTROLLED DOCUMENT.

DWN	A. WU	21AUG2006		SD CARD CONNECTOR, REVERSE TYPE, PUSH-PUSH
CHK	S. HOU	21AUG2006		
APVD	W.J. KE	21AUG2006		
NAME				
PRODUCT SPEC	108-57504		SIZE	A3
APPLICATION SPEC	—		CAGE CODE	00779
WEIGHT	SEE NOTE		DRAWING NO	G=1775059
MATERIAL	SEE NOTE		RESTRICTED TO	—
FINISH	SEE NOTE		SCALE	—
CUSTOMER DRAWING			SHEET	1 of 6
			REV	D3

THIS DRAWING IS UNPUBLISHED. RELEASED FOR PUBLICATION AUG 2006 .
 © COPYRIGHT 2011 BY TE CONNECTIVITY. ALL RIGHTS RESERVED.

LOC	DIST	REVISIONS			
P	LTR	DESCRIPTION	DATE	DWN	APVD
DW		SEE SHEET 1.			



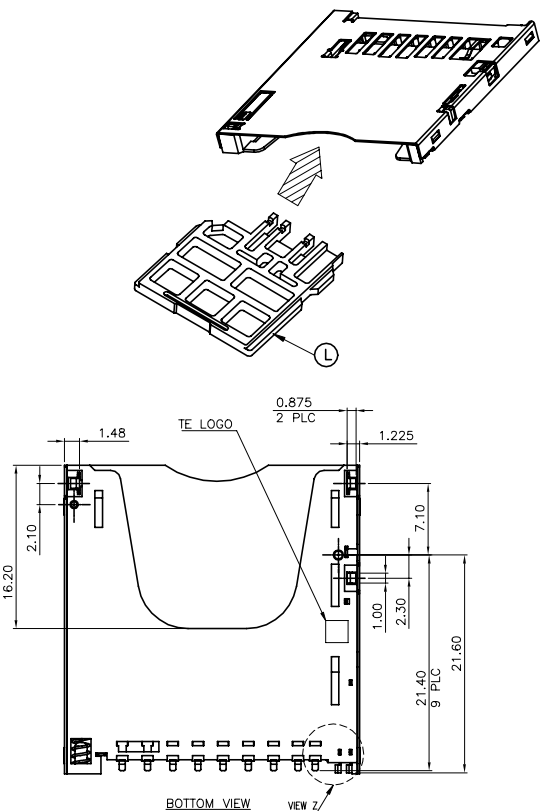
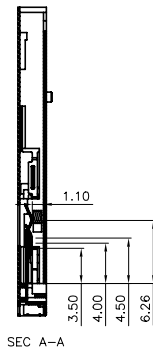
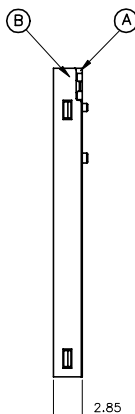
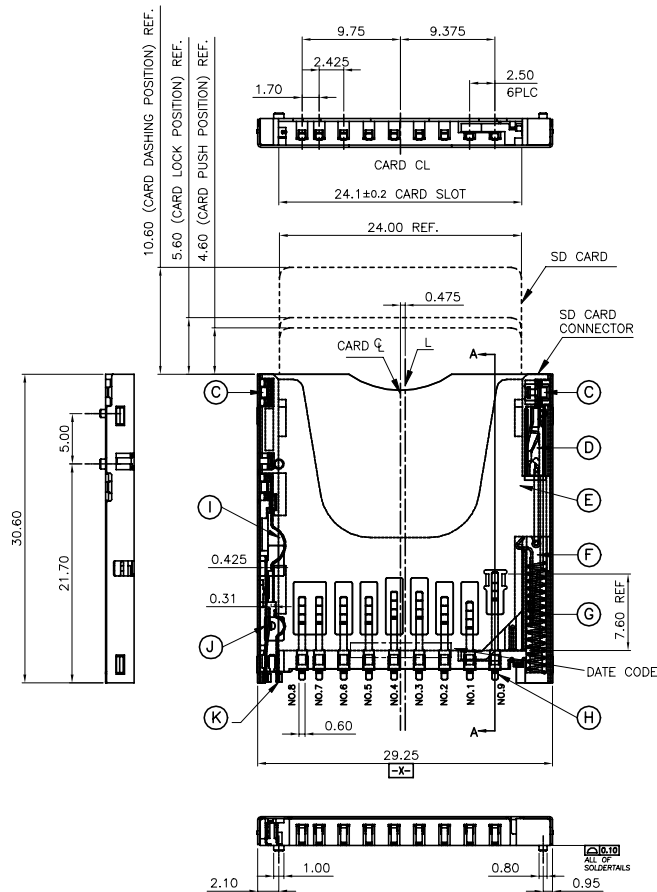
NOTE :
 1. DIFFERENT PEG DESIGN
 2. OTHERS ARE SAME AS PAGE 1 NOTE

OBSOLETE	0.127µm [5µ"]	1775059-2
	MIN. GOLD THICKNESS	PART NUMBER

THIS DRAWING IS A CONTROLLED DOCUMENT.		DWN	TE TE Connectivity	
DIMENSIONS: MM		CHK		
TOLERANCES UNLESS OTHERWISE SPECIFIED:		APVD	NAME	
0 PLC ± -		PRODUCT SPEC	SD CARD CONNECTOR, REVERSE TYPE, PUSH-PUSH	
1 PLC ± 0.3		APPLICATION SPEC	SIZE	CAGE CODE
2 PLC ± 0.2		WEIGHT	A3	00779
3 PLC ± 0.2		CUSTOMER DRAWING	DRAWING NO	
4 PLC ± -			G=1775059	
ANGLES ± 3°			RESTRICTED TO	
MATERIAL			SCALE	SHEET
FINISH			-	2 of 6
			REV	D3

THIS DRAWING IS UNPUBLISHED. RELEASED FOR PUBLICATION AUG 2006 .
 © COPYRIGHT 2011 BY TE CONNECTIVITY. ALL RIGHTS RESERVED.

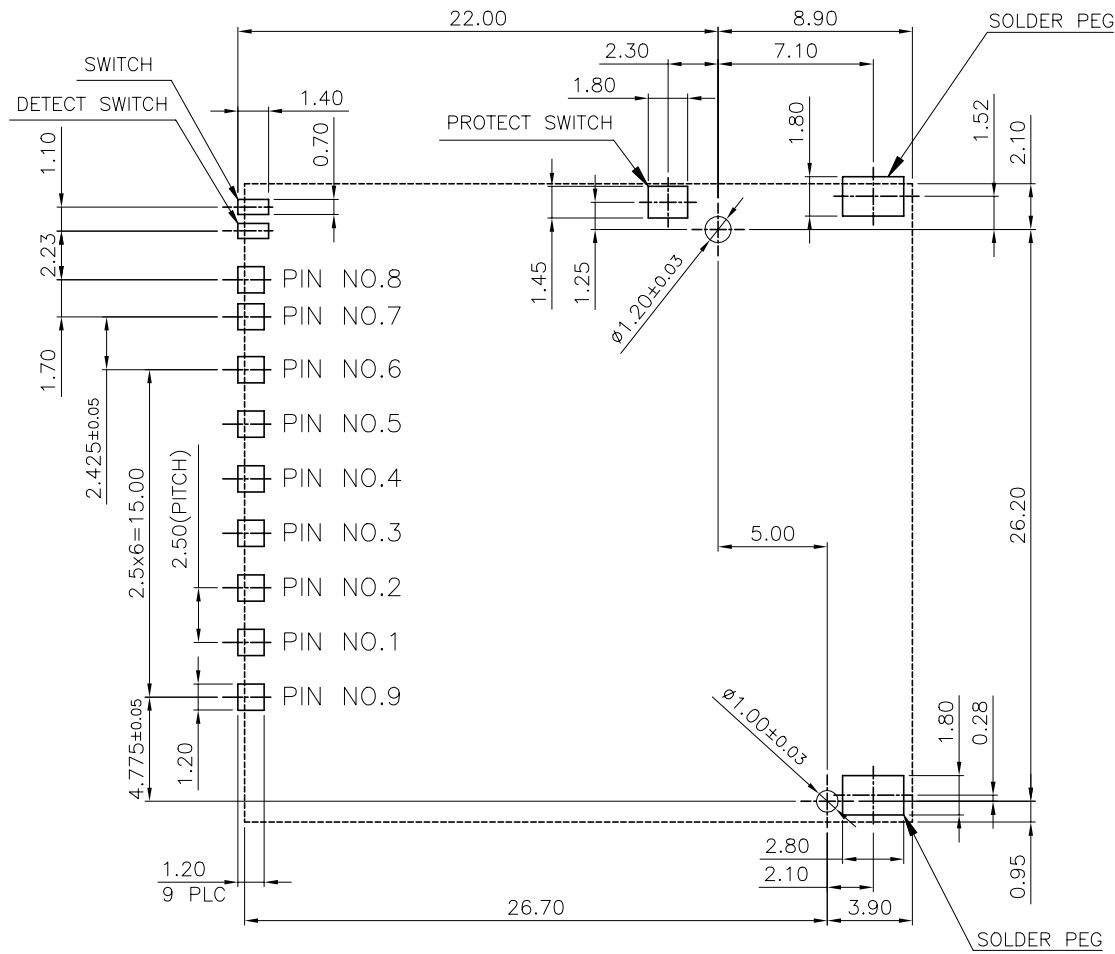
LOC	DIST	REVISIONS			
P	LTR	DESCRIPTION	DATE	DWN	APVD
DW	-	SEE SHEET 1.	-	-	-



NOTE :
 1. FOOL-PROOF OF CARD INSERTION 180 DEGREE
 2. OTHERS ARE SAME AS PAGE 1 NOTE

OBSOLETE	0.762µm [30µ"]	2-1775059-2
	MIN. GOLD THICKNESS	PART NUMBER

THIS DRAWING IS A CONTROLLED DOCUMENT.		DWN	TE Connectivity	
DIMENSIONS: MM		CHK	SD CARD CONNECTOR, REVERSE TYPE, PUSH-PUSH	
TOLERANCES UNLESS OTHERWISE SPECIFIED:		APVD	NAME	
0 PLC ± - 1 PLC ± 0.3 2 PLC ± 0.2 3 PLC ± 0.2 4 PLC ± - ANGLES ± 3°		PRODUCT SPEC	SIZE CAGE CODE DRAWING NO	
MATERIAL SEE NOTE		APPLICATION SPEC	A3 00779 G=1775059	
FINISH SEE NOTE		WEIGHT SEE NOTE	RESTRICTED TO	
		CUSTOMER DRAWING	SCALE	SHEET 3 of 6 REV D3



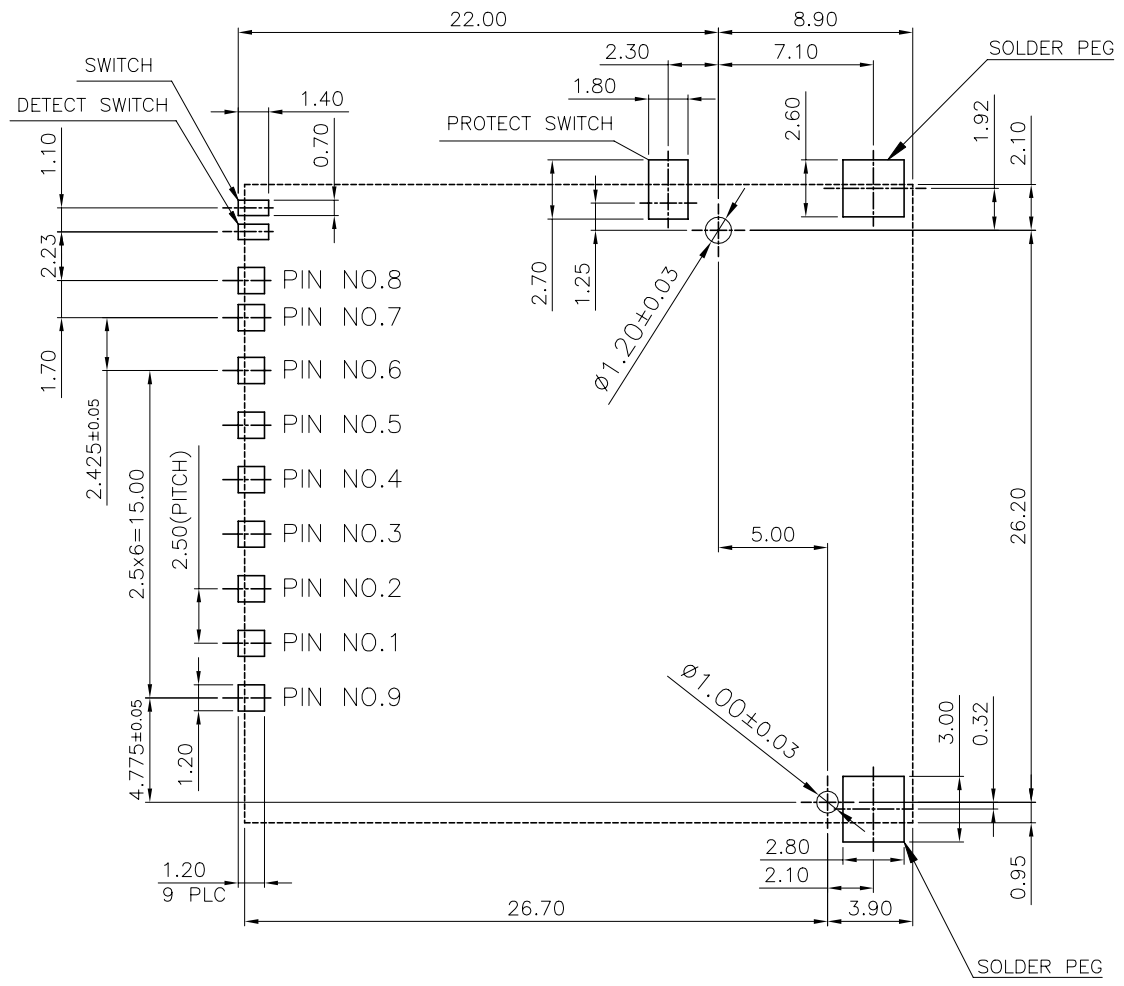
(FOR P/N: 1775059-1 & 1-1775059-1
 & 2-1775059-2)

PIN DEFINE

PAD NO.	MEMORY CARD
SD-01	SD-CD/DAT3(SD-01)
SD-02	SD-CMD(SD-02)
SD-03	SD-VSS(SD-03)
SD-04	SD-VDD(SD-04)
SD-05	SD-CLK(SD-05)
SD-06	SD-VSS(SD-06)
SD-07	SD-DAT0(SD-07)
SD-08	SD-DAT1(SD-08)
SD-09	SD-DAT2(SD-09)

RECOMMENDED PCB LAYOUT
 PCB TOLERANCE: ±0.05

THIS DRAWING IS A CONTROLLED DOCUMENT.		DWN		STE TE Connectivity	
DIMENSIONS: MM		CHK			
TOLERANCES UNLESS OTHERWISE SPECIFIED:		APVD		NAME	
0 PLC ± -		PRODUCT SPEC		SD CARD CONNECTOR, REVERSE TYPE, PUSH-PUSH	
1 PLC ± -		APPLICATION SPEC		SIZE CAGE CODE DRAWING NO RESTRICTED TO	
2 PLC ± -		WEIGHT		A3 00779 C=1775059	
3 PLC ± -		CUSTOMER DRAWING		SCALE SHEET 4 of 6 REV D3	
4 PLC ± -					
ANGLES ± -					
MATERIAL					
FINISH					



(FOR P/N 1775059-2)

PIN DEFINE

PAD NO.	MEMORY CARD
SD-01	SD-CD/DAT3(SD-01)
SD-02	SD-CMD(SD-02)
SD-03	SD-VSS(SD-03)
SD-04	SD-VDD(SD-04)
SD-05	SD-CLK(SD-05)
SD-06	SD-VSS(SD-06)
SD-07	SD-DAT0(SD-07)
SD-08	SD-DAT1(SD-08)
SD-09	SD-DAT2(SD-09)

RECOMMENDED PCB LAYOUT
 PCB TOLERANCE: ±0.05

THIS DRAWING IS A CONTROLLED DOCUMENT.

DIMENSIONS: MM	TOLERANCES UNLESS OTHERWISE SPECIFIED: 0 PLC ± - 1 PLC ± - 2 PLC ± - 3 PLC ± - 4 PLC ± - ANGLES ± -	DWN CHK APVD PRODUCT SPEC APPLICATION SPEC WEIGHT	TE Connectivity NAME SD CARD CONNECTOR, REVERSE TYPE, PUSH-PUSH SIZE A3 CAGE CODE 00779 DRAWING NO G=1775059 RESTRICTED TO
MATERIAL	FINISH	CUSTOMER DRAWING	SCALE SHEET 5 of 6 REV D3

4

3

2

1

THIS DRAWING IS UNPUBLISHED.

RELEASED FOR PUBLICATION

AUG 2006

© COPYRIGHT 2011

BY TE CONNECTIVITY.

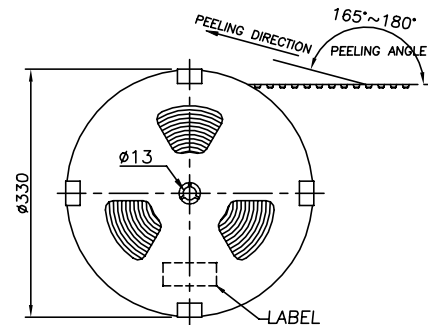
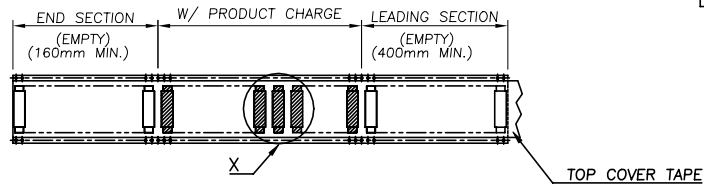
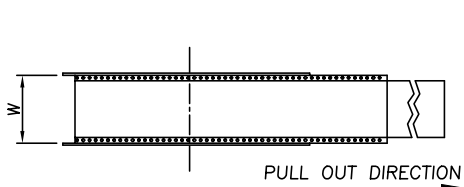
ALL RIGHTS RESERVED.

LOC
DW

DIST

REVISIONS

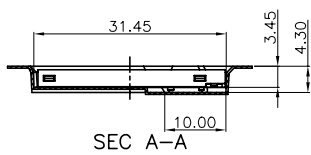
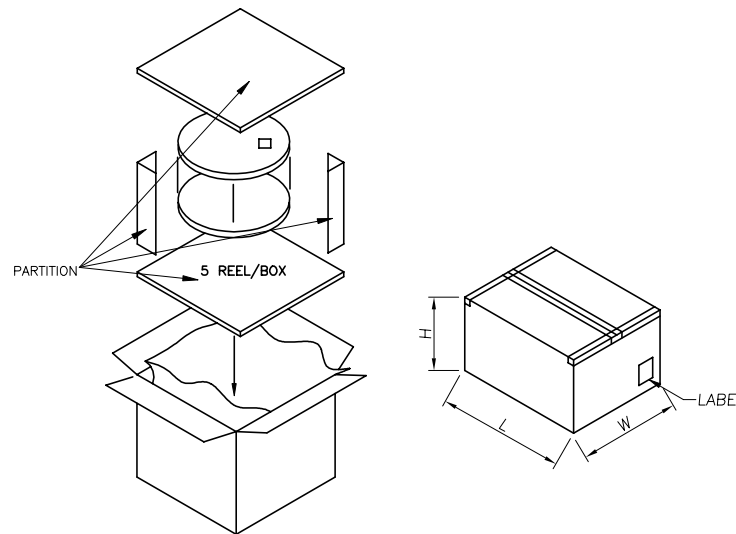
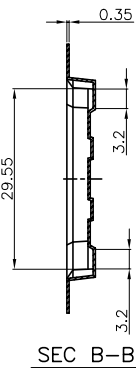
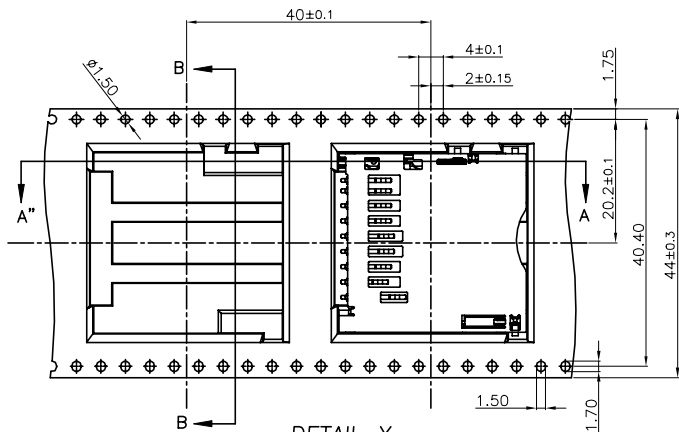
P	LTR	DESCRIPTION	DATE	DWN	APVD
		SEE SHEET 1.			



NOTES:

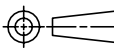
1. MATERIAL:
 - 1.1 EMBOSSED CARRIER: PS.
 - 1.2 COVER TAPE: PS.
 - 1.3 SHIPPING BOX: CORRUGATED FIBER.
2. DIMENSION:
 - 2.1 REEL: W= 44.5
 - 2.2 SHIPPING BOX: L=350, W=350, H=300.
3. QUANTITY:
 - 3.1 PRIMARY PACKING: 350 PCS/REEL.
 - 3.2 SECONDARY PACKING: 5 REELS/BOX (1,750 PCS).
4. WEIGHT:
 - 4.2 NET WEIGHT: 1.1 KG/REEL, 5.54 KG/BOX.
 - 4.1 GROSS WEIGHT: 1.81 KG/REEL, 9.79 KG/BOX.
5. PEELING RESISTANCE: 40 ~ 60 gf.
6. PEELING SPEED: 300 mm/minutes.

USER DIRECTION OF UNREELING



THIS DRAWING IS A CONTROLLED DOCUMENT.

DIMENSIONS: MM



TOLERANCES UNLESS OTHERWISE SPECIFIED:

0 PLC	± -
1 PLC	± -
2 PLC	± -
3 PLC	± -
4 PLC	± -
ANGLES	± -

MATERIAL

FINISH

DWN
CHK
APVD
PRODUCT SPEC
APPLICATION SPEC
WEIGHT
CUSTOMER DRAWING

STE TE Connectivity

NAME			
SD CARD CONNECTOR, REVERSE TYPE, PUSH-PUSH			
SIZE	CAGE CODE	DRAWING NO	RESTRICTED TO
A3	00779	G=1775059	-
SCALE		SHEET	REV
		6 of 6	D3