



# Ratings And Characteristic Curves

## MUR10 series

FIG. 1 - TYPICAL FORWARD CURRENT DERATING CURVE

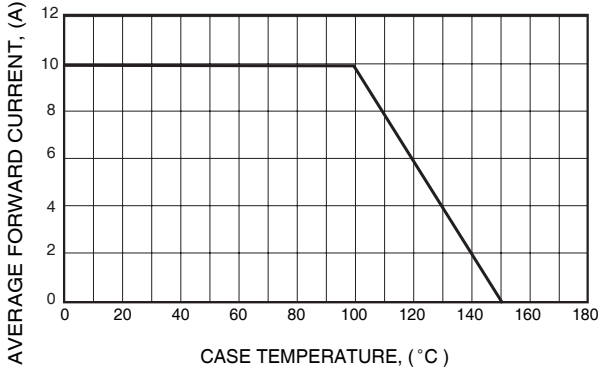


FIG. 3 - MAXIMUM NON-REPETITIVE FORWARD SURGE CURRENT

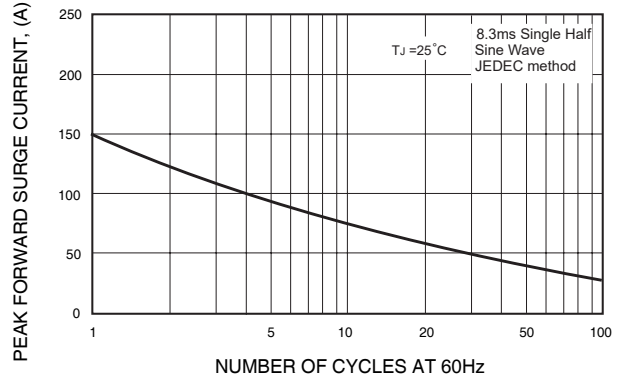


FIG. 4 - TYPICAL REVERSE CHARACTERISTICS

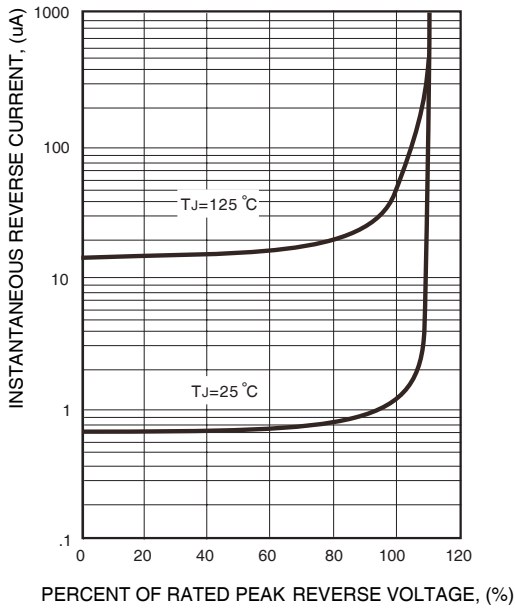


FIG. 2 - TYPICAL INSTANTANEOUS FORWARD CHARACTERISTICS

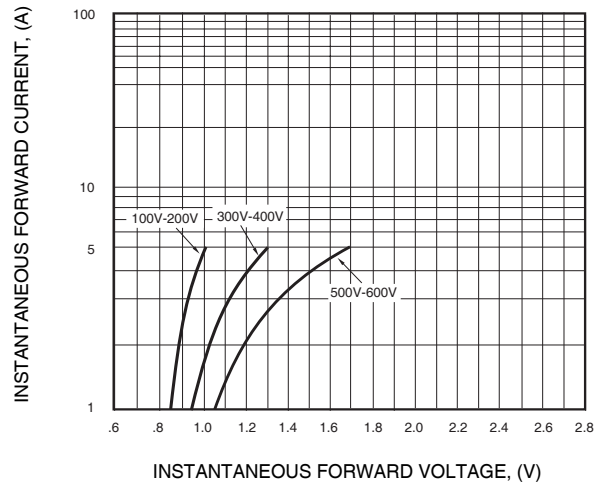
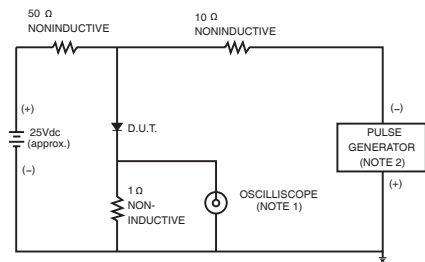
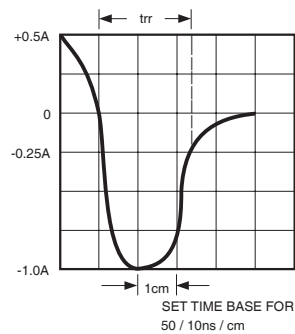


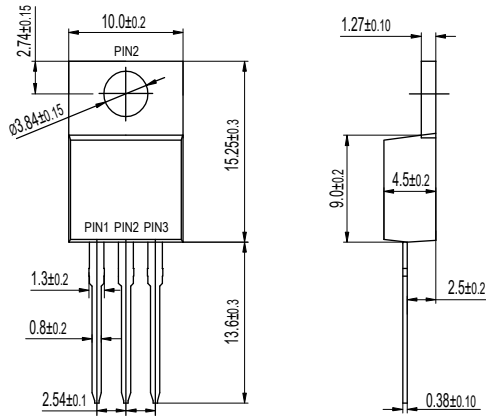
FIG. 6- TEST CIRCUIT DIAGRAM AND REVERSE RECOVERY TIME CHARACTERISTICS



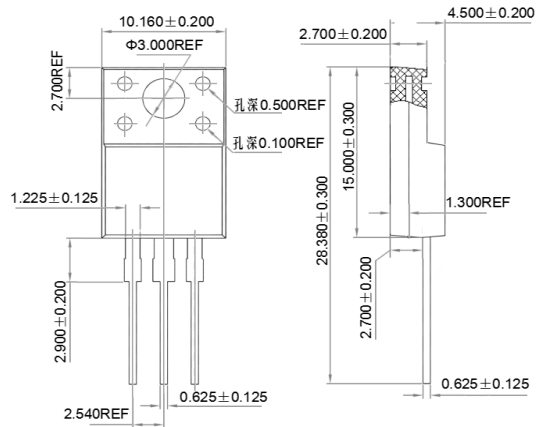
NOTES: 1. Rise Time= 7ns max., Input Impedance= 1 megohm.22pF.  
2. Rise Time= 10ns max., Source Impedance= 50 ohms.



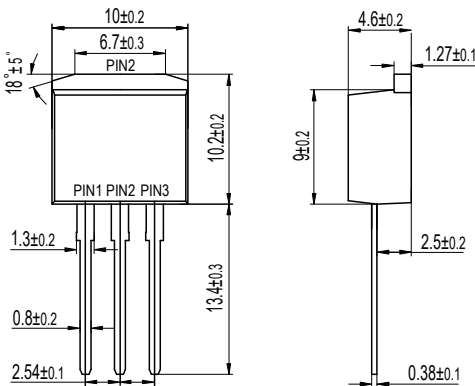
# Package outline



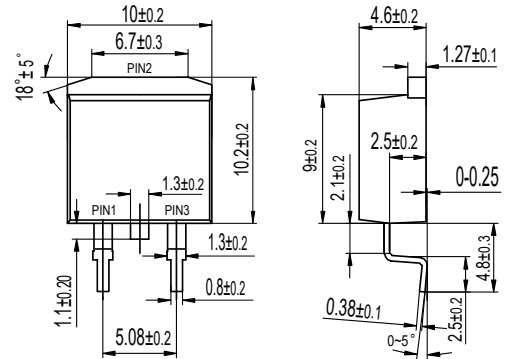
TO-220AB  
MUR10XXCT



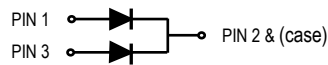
ITO-220AB  
MUR10XXFCT



TO-262AB  
MUR10XXWCT



TO-263(D<sup>2</sup>PAK)  
MUR10XXDCT



Dimensions in millimeters