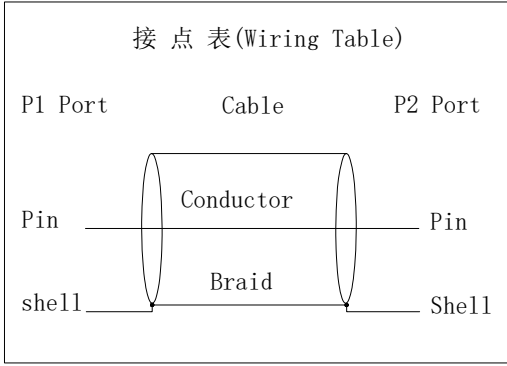
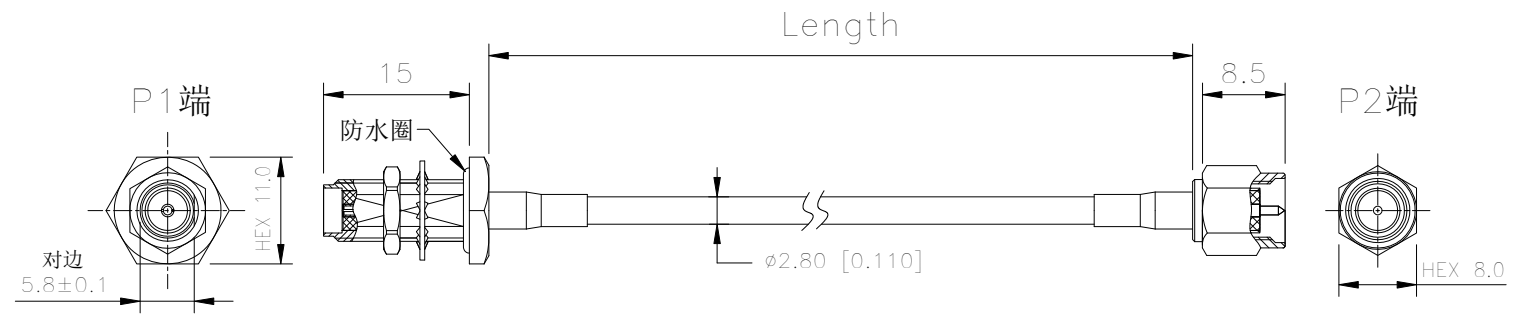


RoHS

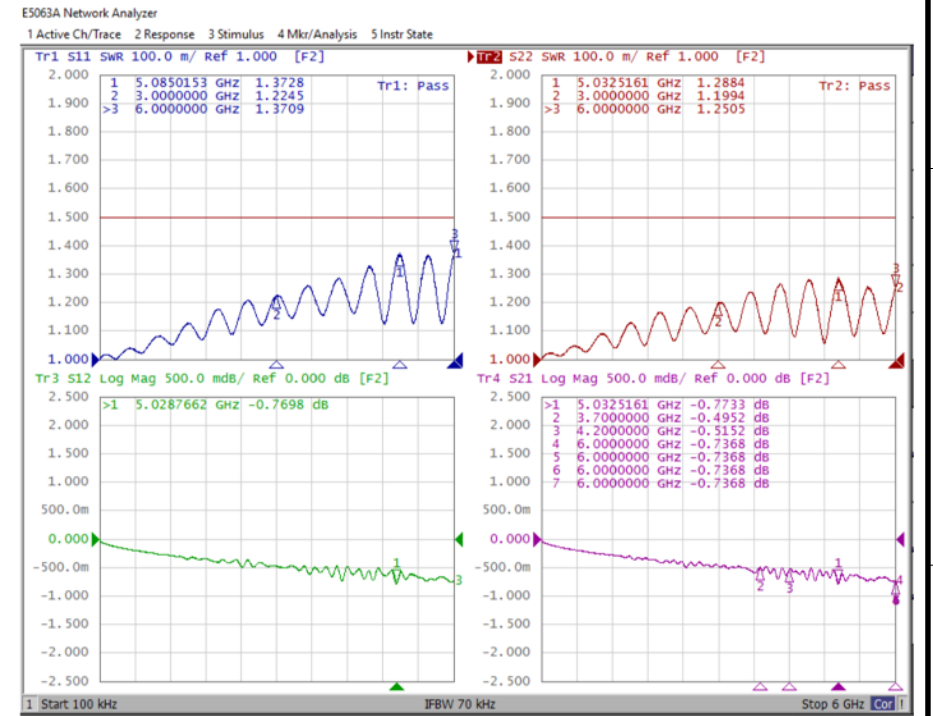
REVISIONS					
REV.	ECN NO.	LOCATION	DESCRIPTION	DATE	DESIGN
A0	N/A		INITIAL RELEASE	2014.11.22	

NO.:	Length (mm)	TOLERANCES (mm)	PART NO.:
1	200	±10	X54ZC02-MAFS-200-MAMS-0601
2	500	±15	X54ZC02-MAFS-500-MAMS-0601
3	1000	±20	X54ZC02-MAFS-1000-MAMS-0601
4	2000	±30	X54ZC02-MAFS-2000-MAMS-0601
5	3000	±50	X54ZC02-MAFS-3000-MAMS-0601
6	4000	±80	X54ZC02-MAFS-4000-MAMS-0601
7	5000	±80	X54ZC02-MAFS-5000-MAMS-0601
8	6000	±100	X54ZC02-MAFS-6000-MAMS-0601
9	7000	±100	X54ZC02-MAFS-7000-MAMS-0601
10	Customer customization		



- Specifications(规格):
- 1.Impedance(特性阻抗): 50Ω;
 - 2.Frequency(工作频率): DC~6GHz;
 - 3.VSWR(驻波比):
1.35 Max.@ 3GHz;
1.50 Max.@ 6GHz;
 - 4.Insulation resistance(绝缘阻抗): ≥5000MΩ;
 - 5.Dielectric withstand voltage(介质耐电压): ≥500V AC;
 - 6.Mating cycles(耐久性): ≥500 cycles;
 - 7.Temperature range(使用温度): -20℃~+80℃;

例: XZC02-MAFS-200-MAMS-061的SWR、IL测试报告:



4	热缩套管	Ø4.0*20mm 普通型2:1 VW-1 黑色	2 PCS	
3	连接器	SMA 公头 黄铜镀金, 盐雾48H	1 SET	
2	连接器	SMA 母头 黄铜镀金 盐雾48H, 带螺母和垫片 防水IP67	1 SET	
1	同轴线	RG174 (7/0.16裸铜+XLPE+60/0.1裸铜) PVC OD2.80mm 黑色	1 PCS	
NO.	NAME	SPEC.	Q'TY	Note



DESIGN	希文	VIEW:		MODEL TYPE:	SMA Male To SMA Female-200mm,JP67
CHECKED		UNIT:	mm/in	PART NO.:	X54ZC02-MAFS-XXXX-MAMS-0601
APPROVED		SIZE:	A4	DWG NO.:	X-X54ZC02-MAFS-XXXX-MAMS-0601

XKB INDUSTRIAL PRECISION CO.,LIMITED

SCALE	PAGE	REVISION
N/A	1/1	A0