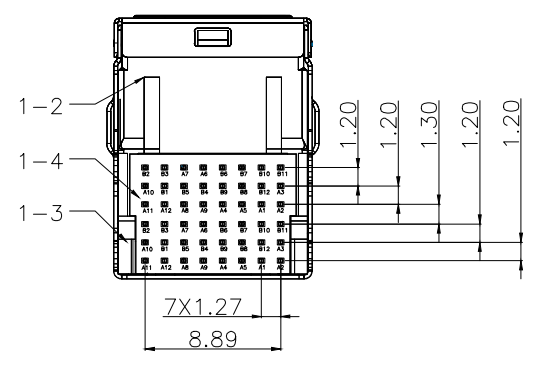
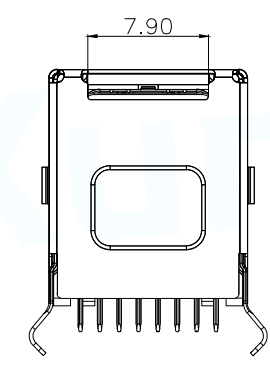
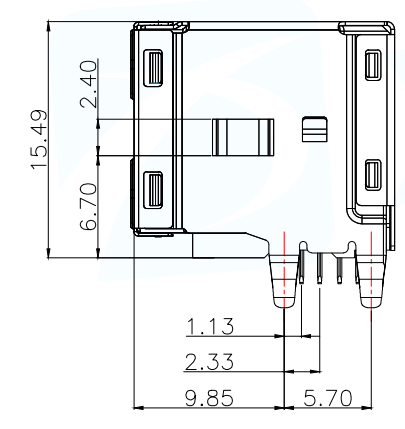
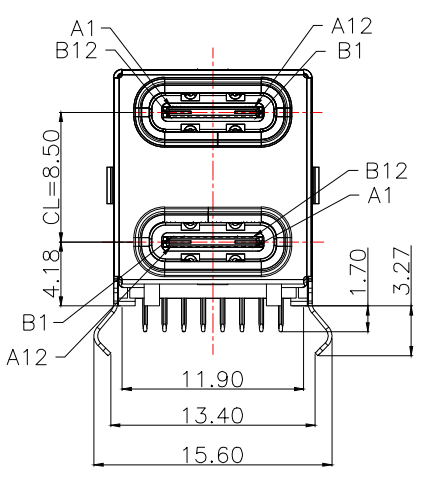
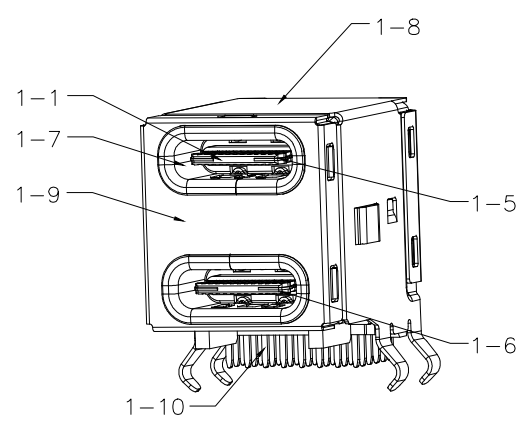


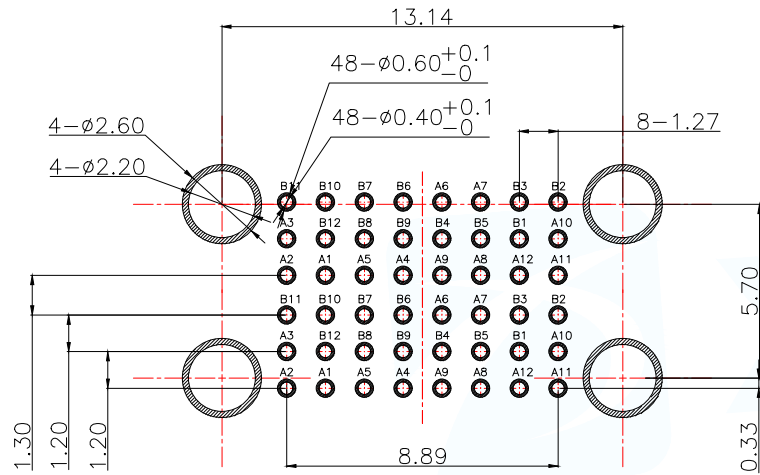
AFTER MATING



NOTE:

- MATERIAL SPECIFICATION:
  - 1-1.TYPE C HOUSING:PA9T/BLACK,UL94 V-0.
  - 1-2.MAIN HOUSING:PA9T/BLACK,UL94 V-0.
  - 1-3.SPACER:PA9T/BLACK,UL94 V-0.
  - 1-4.COVER:LCP/BLACK,UL94 V-0.
  - 1-5.TYPE C CONTACTS: COPPER ALLOY(C18150)
  - 1-6.MID PLATE: STAINLESS STEEL(SUS301)
  - 1-7.TYPE C SHELL: STAINLESS STEEL(SUS304)
  - 1-8.TOP SHELL: STAINLESS STEEL(SUS304)
  - 1-9.FRONT SHELL: STAINLESS STEEL(SUS304)
  - 1-10.SOLDER TAIL TERMINAL: BRASS(C2680)
- PLATING SPECIFICATION:
  - 2-1.TYPE C CONTACTS:  
Ni 50u" MIN. UNDER PLATED OVER ALL.  
(GOLD PLATING THICKNESS 30u")
  - 2-2.TYPE C SHELL&TOP SHELL&FRONT SHELL:  
Ni 30u" MIN. UNDER PLATED OVER ALL.
  - 2-3.MID PLATE:  
Ni 30u" MIN. UNDER PLATED OVER ALL.
  - 2-4.SOLDER TAIL TERMINAL:  
100U" MIN MATTE TIN, 30U"MIN NICKEL OVERALL
- MECHANICAL PERFORMANCE,
  - 3-1.INSERTION FORCE: 0.5~2.0kgf.
  - 3-2.REMOVAL FORCE: 0.8kgf~2.0kgf.
  - 3-3.DURABILITY: 10000 CYCLES.
- ELECTRICAL PERFORMANCE,
  - 4-1. CURRENT RATING:5.0A  
VOLTAGE RATING:5.0V
  - 4-2. LLCR:  
VBUS & GND PINS AND OTHER PINS: 40mA/PIN MAX.  
LLCR MAX. CHANGE OF ALL PINS: 10mA.
  - 4-3.INSULATION RESISTANCE: 100M $\Omega$  MIN
  - 4-4.DIELECTRIC WITHSTAND VOLTAGE,AC 100V FOR 1 MINUTE.
- ENVIRONMENTAL PERFORMANCE:  
OPERATING TEMPERATURE: -25°C~+85°C.
- WAVE SOLDERING:  
THE PEAK TEMPERATURE ON THE BOARD SHALL BE MAINTAINED FOR 10 SECONDS AT 260°C.

MANUFACTURE DWG			东莞市讯普电子科技有限公司 DongGuan XunPu Electronics Co.,Ltd	
UNLESS OTHERWISE SPECIFIED TOLERANCES			TITLE:USB TYPE C Receptacle 24PIN 2X1 Top Mount CL=8.5	
DECIMALS:	ANGLES:	PAR	TYPE-C-715-WDR	
.X:±0.30	X.':±10'	DWN	Lucas	
.XX:±0.20	X.X':±8'	CHKD	Ethan	
.XXX:±0.10	X.XX':±5'	APVD	Jacob	
		SCALE:1:1	UNIT:MM	
		SIZE:A4	SHEET:1F1	REV:A



USB CF 24PIN RECOMMENDED PCB LAYOUT(TOP VIEW)  
THICKNESS 1.6MM;DEFAULT TOLERANCE:±0.05,SCALE 2:1

USB TYPE-C 24 PIN ASSIGNMENTS

PIN NUMBER	SIGNAL NAME	PIN NUMBER	SIGNAL NAME
A1	GND	B12	GND
A2	TXp1	B11	RXp1
A3	TXn1	B10	RXn1
A4	VBUS	B9	VBUS
A5	CC1	B8	SBU2
A6	Dp1	B7	Dn2
A7	Dn1	B6	Dp2
A8	SBU1	B5	CC2
A9	VBUS	B4	VBUS
A10	RXn2	B3	TXn2
A11	RXp2	B2	TXp2
A12	GND	B1	GND

MANUFACTURE DWG		 东莞市讯普电子科技有限公司 DongGuan XunPu Electronics Co.,Ltd	
UNLESS OTHERWISE SPECIFIED TOLERANCES			TITLE:USB TYPE C Receptacle 24PIN 2X1 Top Mount CL=8.5
			PAR TYPE-C-715-WDR
DECIMALS:	ANGLES:		DWN Lucas
.X:±0.30	X.:±10°		CHKD Ethan
.XX:±0.20	X.X':±8°	APVD Jacob	SCALE1:1 UNIT:MM
.XXX:±0.10	X.XX':±5°	CUSTOMER COPY	SIZE:A4 SHEET:1F1 REV:A

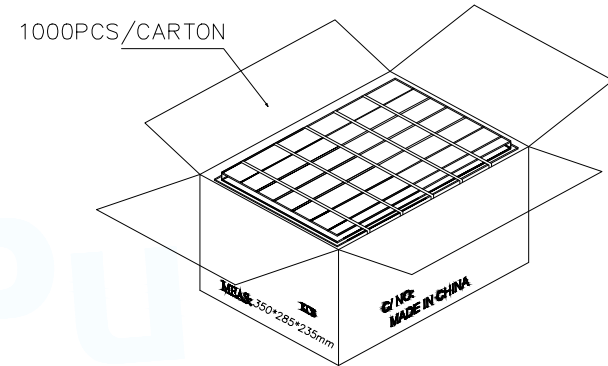
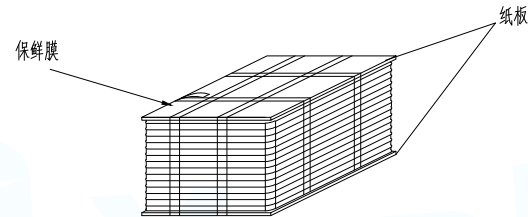
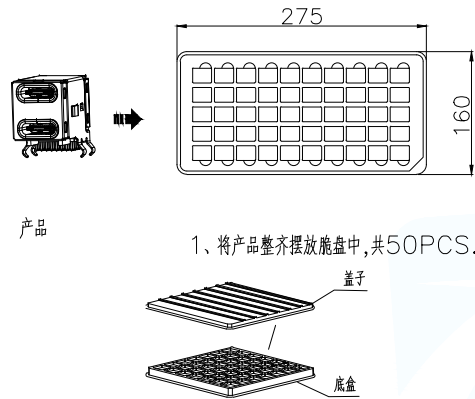
1-1 将USB TYPE C 母 24P 双层90度 的成品整齐的装入真空盒底盒内。  
 1-2 每盘真空盒上面必须盖一个盖子,以免产品漏失。  
 1-3 真空盒材质必须是PET环保材料.每盘装成品50PCS

2-1 每箱2扎装,每扎共10盘,用PE膜将托盘两边缠绕;上下各放一块硬纸板.每箱的数量小计:2\*10\*50=1000PCS

3-1 将1摞成品依次放入纸箱内.备注:  
 纸箱规格:350\*285\*235mm  
 3-2. 纸箱4个角落用缓冲材料塞好,并盖与之相配的纸板  
 3-3. 包装明细:

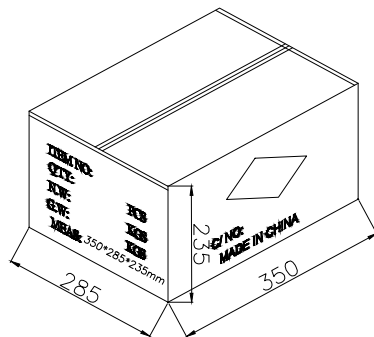
备注:

盘/每箱	PCS/每盘	PCS/每箱
20盘/每箱	50PCS/每盘	1000PCS/每箱



4-1 纸箱开口处以透明胶带贴合。  
 4-2 若有未装满的零数箱,必须以缓冲材塞满。

5-1. 外标签贴在外箱侧左上角,环保标签贴在外标签右上角。



MANUFACTURE DWG		东莞市讯普电子科技有限公司 DongGuan XunPu Electronics Co.,Ltd	
UNLESS OTHERWISE SPECIFIED TOLERANCES			TITLE:USB TYPE C Receptacle 24PIN 2X1 Top Mount CL=8.5
DECIMALS:	ANGLES:		PAR TYPE-C-715-WDR
.X:±0.30	X.':±10'		DWN Lucas
.XX:±0.20	X.X':±8"		CHKD Ethan
.XXX:±0.10	X.XX':±5'		APVD Jacob
CUSTOMER COPY		SCALE 1:1	UNIT:MM
		SIZE:A4	SHEET:1F1
			REV:A