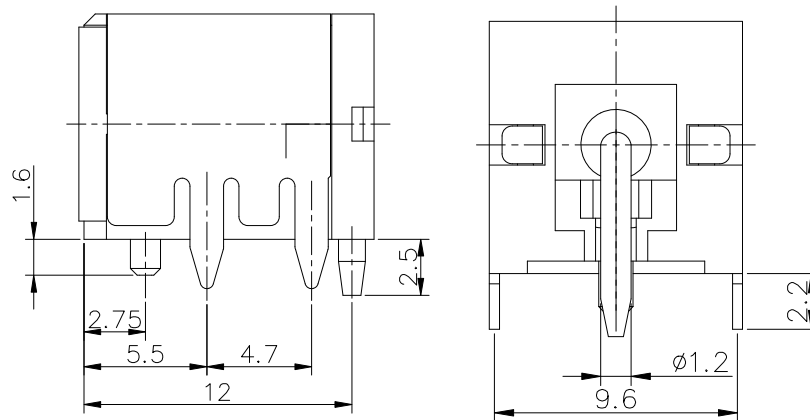
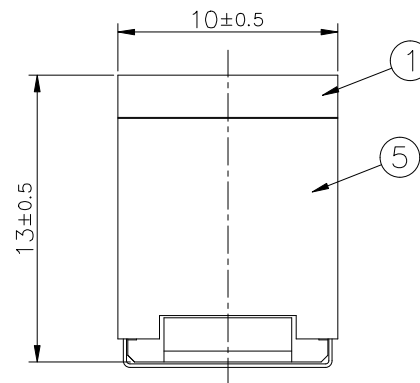


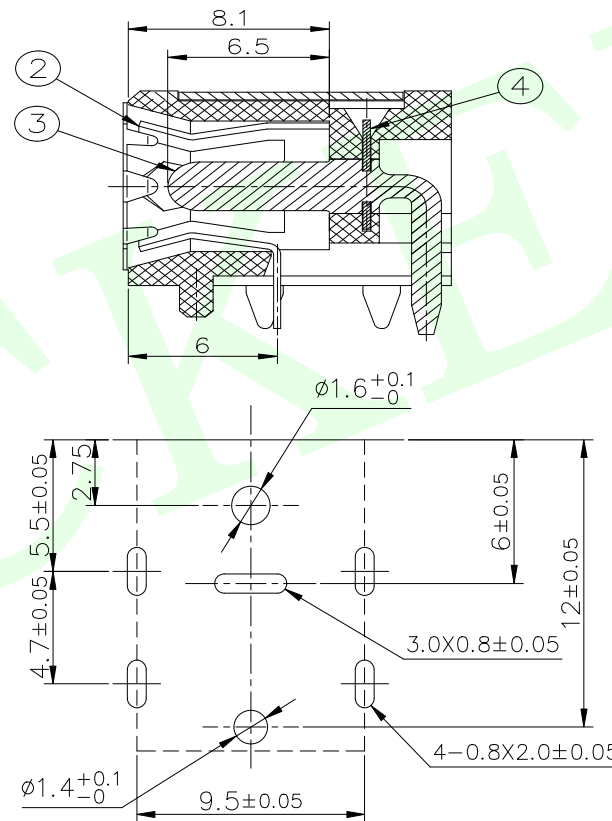
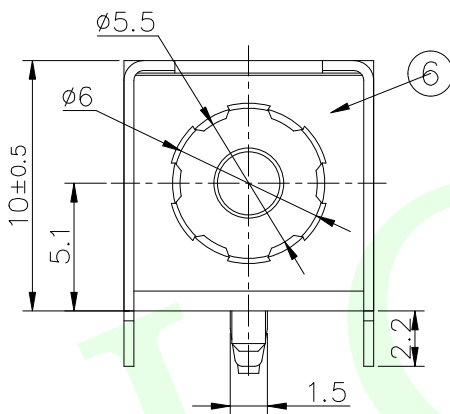
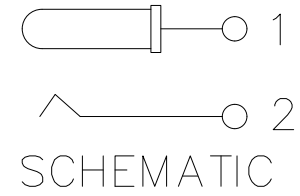
RoHS Compliant



ELECTRICAL  
 VOLTAGE RATING:20V DC (R.M.S)  
 CURRENT RATING:10A  
 CONTACT RESISTANCE:30mΩ MAX.  
 INSULATION RESISTANCE:100 MΩ MIN.  
 DIELECTRIC WITHSTAND VOLTAGE:500V AC (R.A.M)  
 TEMPERATRUE RANGE:-25°C TO +85°C  
 MATERIALS & PLATING: SEE THE TABLE BELOW.

ORDERING INFORMATION:

PIN	Item number
∅1.65	LCK-DC-007B-Z165
∅2.00	LCK-DC-007B-Z200
∅2.50	LCK-DC-007B-Z250



PCB MOUNTING HOLES  
 BOTTOM VIEW  
 (TOLERANCE: ±0.05)

6	GROUND	1	SUS 301 0.15t	
5	SHEEL	1	SPCC 0.4t	NI- PLATING
4	TERMINAL	1	SUS 301 0.3t	
3	PIN	1	H59	Ag-PLATING
2	SPRING	1	COPPER ALLOY 0.3t	CuSn-PLATING
1	HOUSING	1	PA9T UL 94V-0	BLACK
LTR	PART NAME	QTY	MATERIAL (THICK,COLOR)	REMARK

MEASURE POINT: (QP)  
 QUADRANT POINT (QP)  
 TANGENCY POINT (TP)  
 INTERSECTION POINT (IP)

联晟欣连接器 (深圳) 有限公司  
 Lianshengxin Connector (Shenzhen) Co., Ltd

UNLESS OTHERWISE SPECIFIED, TOLERANCE:	DESIGN	Andy	DATE	2014.12.24	TITLE:	PHONE JACKS		
X. ±0.25	CHECKED		DATE					
X.x ±0.20	APPROVED		DATE					
X.xx ±0.15	PART NO: LCK-DC-007B-ZXXX			REV: 04	SCALE: 1:1	UNIT: mm		
ANGULAR ±3°	DRAWING NO:			SIZE: A4	SHEET: 1/1			