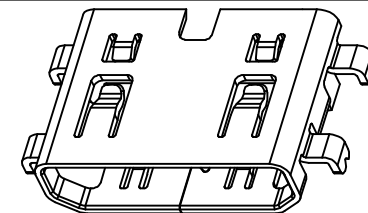
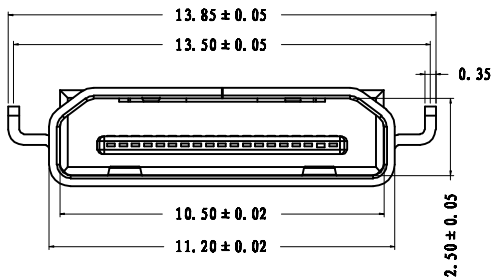
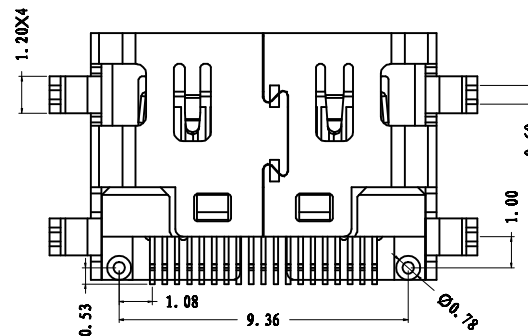
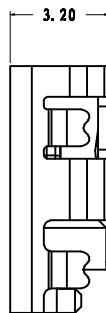
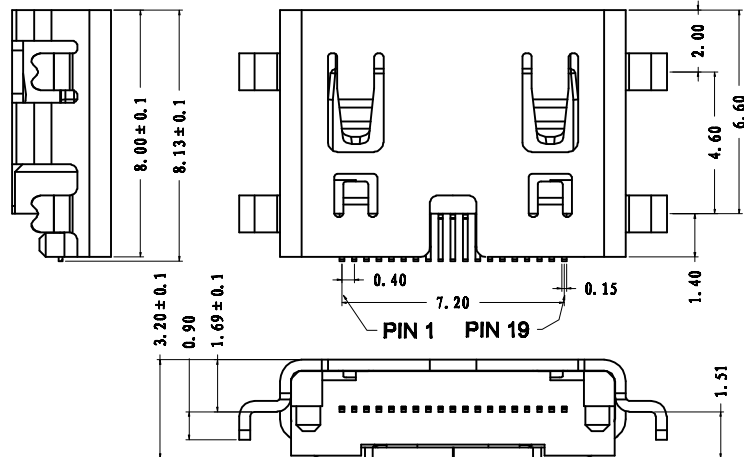


Kinghelm®

* 所有原料材质, 生产制程, 电镀必须符合ROHS要求



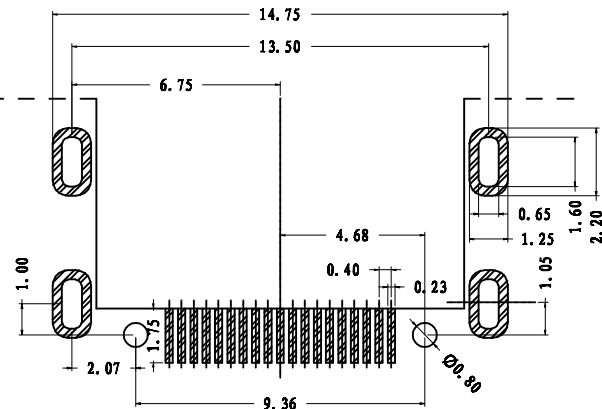
3D VIEW



SPECIFICATION:

- 1.MATING FORCE:4.1N MAX
- 2.UNMATING FORCE:7.25N
- 3.DURABILITY: 5000 CYCLES MIN
- 4.CURRENT:0.5A
- 5.VOLTAGE:40V MAX
- 6.WITHSTANDING VOLTAGE:500V AC MIN.(UNMATED)
- 7.CONTACT RESISTANCE:30MΩ MAX.
- 8.INSULATION RESISTANCE:100MΩ MIN.(UNMATED)
- 9.OPERATING TEMPERATURE RANGE:-20.C TO +85.C
- 10.ALL THE MATERIAL SHOULD COMPLY WITH THE ROHS REQUIREMENT.

Type C pin	Signal Name
1	TM00 Data2 Shield
2	TM00 Data2+
3	TM00 Data2-
4	TM00 Data1 Shield
5	TM00 Data1+
6	TM00 Data1-
7	TM00 Data0 Shield
8	TM00 Data0+
9	TM00 Data0-
10	TM00 Shield
11	TM00 Shield
12	TM00 Shield
13	TM00 Shield
14	TM00 Shield
15	TM00 Shield
16	TM00 Shield
17	TM00 Shield
18	TM00 Shield
19	TM00 Shield



MATERIAL:

Insulator: High Temperature Thermoplastic,
Contact: Copper Alloy T=0.12
SHELL: C2680 T=0.35

PLATING:

Contact:All Area Au:1u"
shell:All Area Au Gold flash

深圳市金航标电子有限公司

www.kinghelm.com.cn

SHENZHEN KINGHELM ELECTRON CO.,LTD.

0755-28190160

DIMENSIONS INIT: mm
UNLESS OTHERWISE SPECIFIABLE

DIMENSION	TOLERANCE
X.X: ±	0.25
X.XX: ±	0.10
X.XXX: ±	0.05
ANGULAR: ±	1°

PRODUCT NAME : MINI-HDMI 19Pin C TYPE 沉板连接器

PRODUCT NO. : KH-HDMI-0035-CB

DRAWING NO. :

DRAWING NO. :

DRAWING NO. :

DRAWING NO. :

DRAWING NO. :

DRAWING NO. :

DRAWING NO. :

DRAWING NO. :

DRAWING NO. :

DRAWING NO. :

DRAWING:

CHECK:

APPROVED:

SCALE:

DWG ID:

REV.:

PAGE:

1:1

P D

A

1 of 1

1 of 1

REVISION NO.	ECR NO.	DESCRIPTION	MARK	DATE
1				
2				