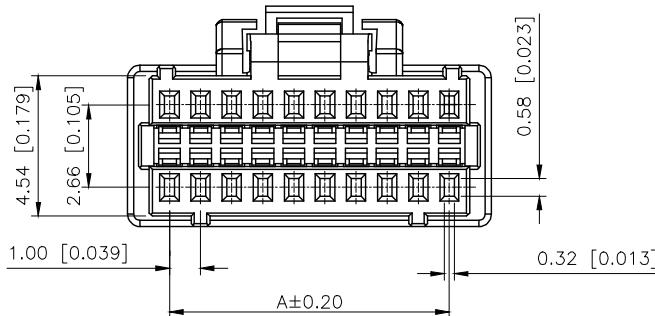
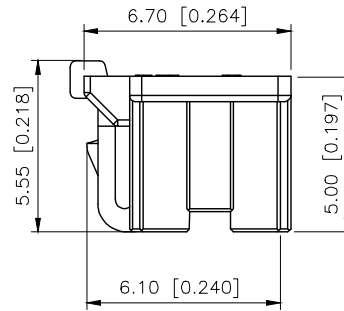
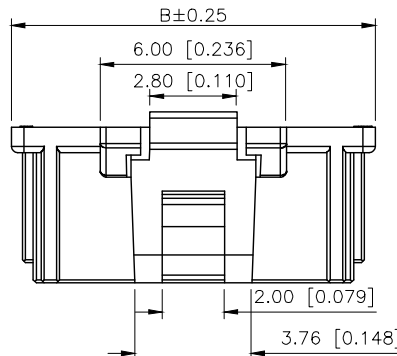
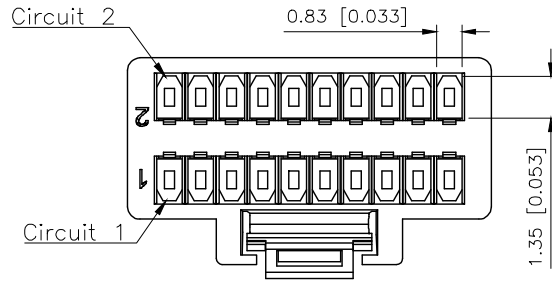


REVISIONS					
REV.	ECN NO.	LOCATION	DESCRIPTION	DATE	DESIGN
A0	N/A		INITIAL RELEASE	/	/
A1	N/A		图面升级整理图面	2024.12.6	阿树



Specifications:

规格:

Voltage rating:50V AC/DC

额定电压: 50V AC/DC

Current rating:1A AC/DC

额定电流: 1A AC/DC

Withstanding voltage:250V AC/minute

耐受电压: 250V AC/分钟

Temperature range: -40°C +125°C

温度范围: -40°C +125°C

Insulation resistance: ≥100MΩ MIN

绝缘电阻: ≥100MΩ

Contact resistance: 20mΩ MAX

接触电阻: ≤20mΩ

Applicable wire Range: AWG#28-#32

使用线范围: AWG #28-#32

PART NO.:

X1004 H-2xXX-N0
① ② ③ ④

①Series No

②Category:H-HSG

③Row No.Pin No:2xXX-2x08~2x25Pin

④Material NO:PA66 UL94-0

PIN	DIM.(MM)	
	A	B
2X08	7.00	9.70
2X10	9.00	11.70
2X15	14.00	16.70
2X16	15.00	17.70
2X20	19.00	21.70
2X25	24.00	26.70

X1004H-2xXX-N0	PA66 UL 94V-0	X1004T-A	X1004W-A
PART NO	Material	Suitable XKB Terminal	Suitable XKB Wafer

AuGLAR	±5°
X.	±0.40
X.x	±0.30
X.xx	±0.20
X.xxx	±0.15
UNSPECIFIED TOLERANCES	



DESIGN	阿树	VIEW:	MODEL TYPE: 2.54mm Crimp Style Connector
CHECKED		UNIT: mm/in	PART NO.: X1004H-2xXX-N0
APPROVED		SIZE: A4	DWG NO.:

XKB INDUSTRIAL PRECISION CO.,LIMITED

SCALE	PAGE	REVISION
N/A	1/1	A1