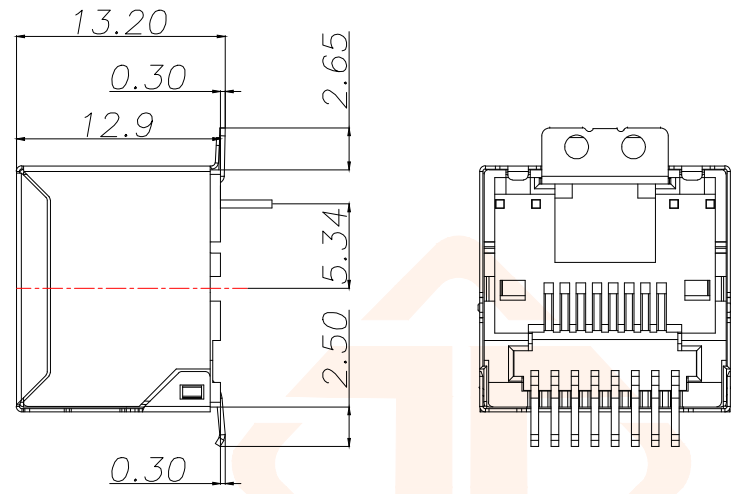
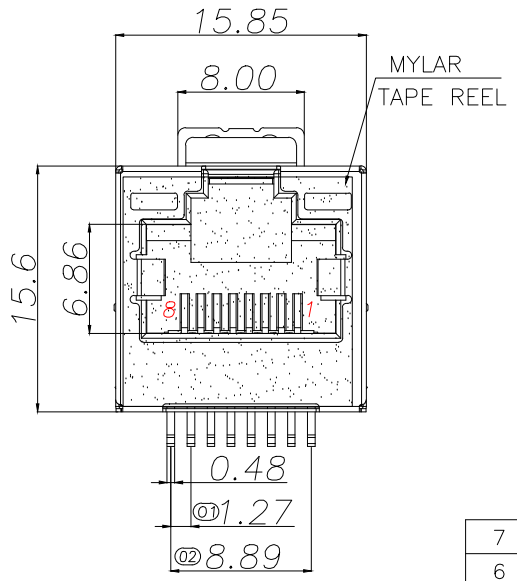
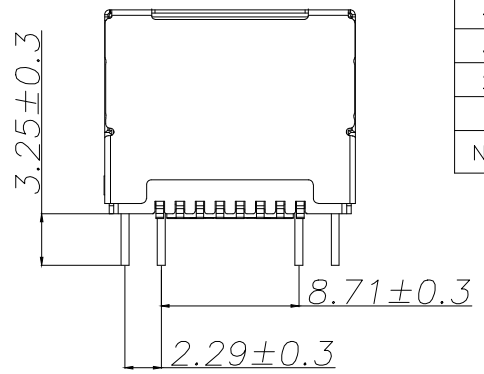




REV.	ECN NO.	DESCRIPTION	DATE	DESIGN



7	1.4x3.2x4.0	平头半透明亮绿LED	1	SPCC T=0.5mm	胶体半透明绿色发绿光
6	1.4x3.2x4.0	平头半透明亮黄LED	1	SPCC T=0.5mm	胶体半透明黄色发黄光
5	RJ45	立式12.7H SMT有灯外壳	1	C2680 T=0.2mm	镀40u"
4	RJ45	立式12.7H接地片	1	C2680 T=0.35mm	镀50u"亮锡100u"
3	RJ45	立式12.7H端子	8	C5191 T=0.35mm	Au/亮锡100u"/NI 50u"
2	RJ45	立式12.7H SMT插芯半成品	1	LCP UL94V-0	BLACK
1	RJ45	立式12.7H无灯有灯主体	1	LCP UL94V-0	BLACK
NO.	PART NAME		Q'TY	MATERIAL	PLATING & COLOR



Standard LED Color	LED Wavelength	Foward(A)	Foward(V)
Green	568nm	20mA	1.85-2.45V
Yellow	585nm	20mA	1.7-2.2V

NOTES

ELECTRICAL

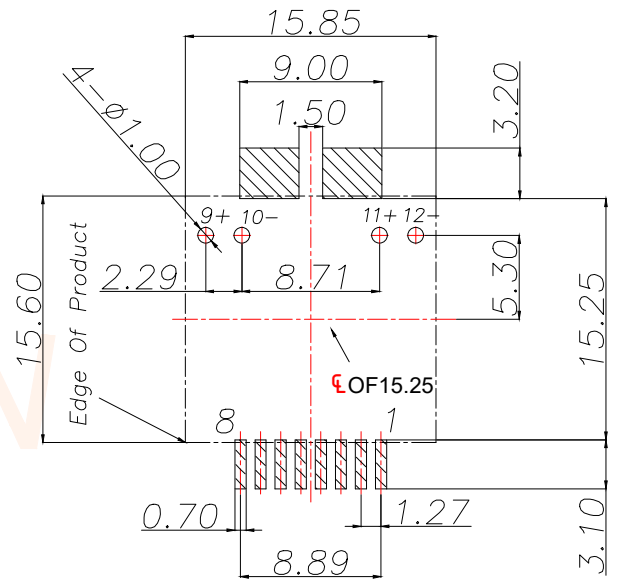
- VOLTAGE RATING: 125 VAC RMS.
- CURRENT RATING: 1.5 AMP.
- CONTACT RESISTANCE: 40 MILLIOHMS MAX.
- INSULATION RESISTANCE: 500 MEGOHMS MIN @ 100V DC.
- DIELECTRIC DIELECTRIC RESISTANCE: 500V DC RMS 50Hz. 1MIN.

MECHANICAL

- DURRABILITY: 750 CYCLES MIN.
- MATING/UNMATING FORC: 2.24 KG.F MAX.

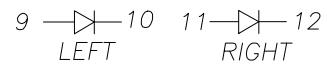
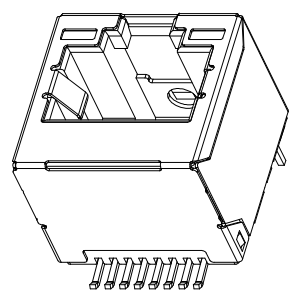
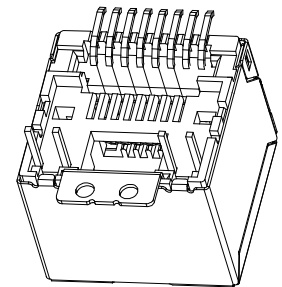
ENVIRONMENTAL:

- OPERATION: -40v~+85v.
- STORAGE: -40v~+85v.



PCBLAYOUT T=1.6
TOL:±0.05

8	/
7	/
6	RX-
5	/
4	/
3	RX+
2	TX-
1	TX+
PIN	说明



TOLERANCE		深圳聚兴泰电子科技有限公司 Shenzhen Juxingtai Electronic Technology Co., Ltd	
X.:±0.35	X':±3'	PART NO.	TITLE:
X.X:±0.25	X.X':±2'	RJ45-8050-8P	RJ45 立式12.7H SMT无灯有灯
X.XX:±0.15	X.XX':±1'	DESIGN: Ethan	MANUFACTURE DWG
UNITS	mm	CHED: Olivia	SCALE SHEET N:A 1/1
MATERILA	---	APPD: Ava	
FINISH	---		