



REV.	ECN NO.	DESCRIPTION	DATE	DESIGN

NOTES

MATERIAL

- 1.HOUSING MATERIAL: THERMO PLASTICS UL94V-0.
- 2.CONTACT MATERIAL: PHOSPHOR BRONZE T=0.3mm.
- 3.PLATING: GOLD PLATIN ON CONTAC AREA, TIN PLATING ON SOLER AREA, NICKEL PLATING ALL OVER.
- 4.SHIELD: 0.20mm THICKNESS COPPER ALLOY WITH NICKEL PLATED.

ELECTRICAL

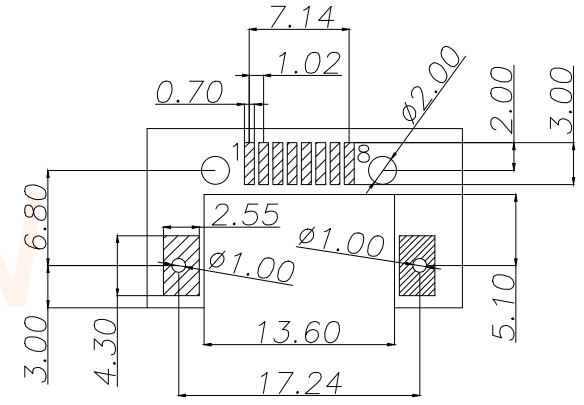
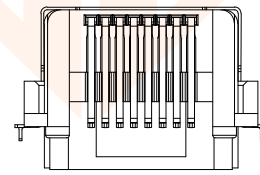
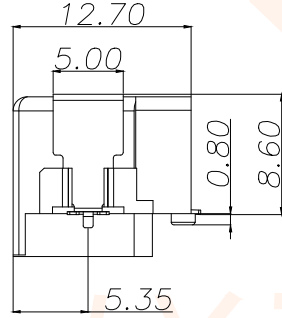
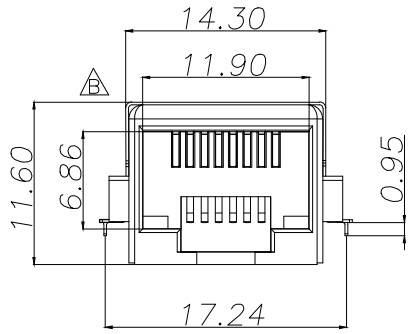
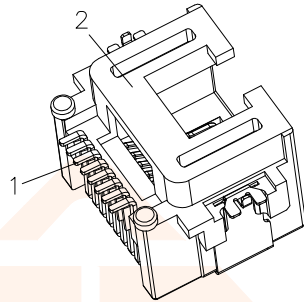
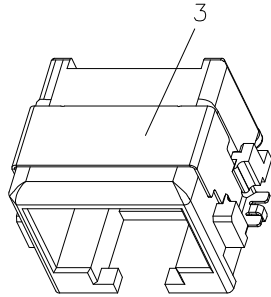
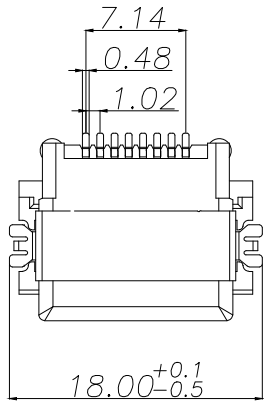
- 1.VOLTAGE RATING: 125 VAC RMS.
- 2.CURRENT RATING: 1.5 AMP.
- 3.CONTACT RESISTANCE: 40 MILLIOHMS MAX.
- 4.INSULATION RESISTANCE: 500 MEGOHMS MIN @ 100V DC .
- 5.DIELECTRIC DIELECTRIC RESISTANCE: 500V DC RMS 50Hz. 1MIN.

MECHANICAL

- 1.DURRABILITY: 750 CYCLES MIN.
2. MATING/UNMATING FORC: 2.24 KG.F MAX.

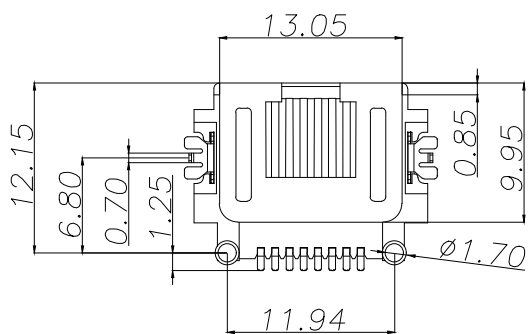
ENVIRONMENTAL:

- 1.OPERATION: -40℃~+85℃.
- 2.STORAGE: -40℃~+85℃.



PCBLAYOUT TOP VIEW

TOL ±0.05



8	—
7	—
6	RX-
5	—
4	—
3	RX+
2	TX-
1	TX+
PIN	说明

TOLERANCE		 深圳聚兴泰电子科技有限公司 Shenzhen Juxingtai Electronic Technology Co., Ltd	
X.:±0.35	X':±3'	PART NO.	TITLE:
X.X:±0.25	X.X':±2'	RJ45-0021-8P	RJ45 流板3.0 SMT 中包 B款
X.XX:±0.15	X.XX':±1'	DESIGN: Ethan	MANUFACTURE DWG
UNITS	mm	CHED: Olvia	SCALE SHEET N:A 1/1
MATERILA	---	APPD: Ava	
FINISH	---		