



产品承认书 SPECIFICATION FOR APPROVAL

客户名称:

CUSTOMER

我司料号:

OUR PART NO.

XRCEP125-100M

我司品名:

OUR PART NAME

HIGH CURRENT POWER INDUCTOR

送样日期:

DATE SAMPLES

数量:

QUANTITY

制造确认 MANUFACTURER APPROVE

| 拟制 DRAWN | 审核 CHECKED | 确认 APPROVED |
|-------------|------------|--------------|
| Hu Fangting | RaoPing | LiZhengxiong |

客户确认 CUSTOMER APPROVE

客户名称 CUSTOMER NAME:

客户料号 CUSTOMER P/N:

规格型号 DESCRIPTION:

XRCEP125 10uH ±20% 7.5A

检查结果: 合格 不合格

签名及盖章:

INSPECT RESULT ACCEPT REJECT

SIGNATURE AND STAMP

说明 REMARK:

如对本承认书内容有异议请提出或标记发送至我司, 本承认书在未收到异议回复时于本承认书提供一周后生效。

If you have any objection to the contents of this acknowledgment, please raise it or send the mark to us. The acknowledgment will become effective one week after the acknowledgment is provided in the absence of any objection.

东莞市祥如电子有限公司

DONGGUAN XIANGRU ELECTRONICS CO., LTD

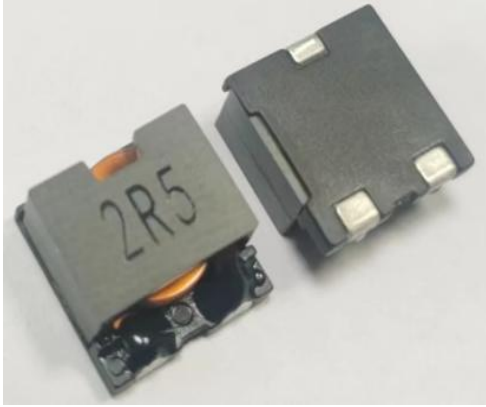
Tel: 0769-86346548 Fax: 0769-86346358

Email: dgxiangru@126.com

产品承认书

SPECIFICATION FOR APPROVAL

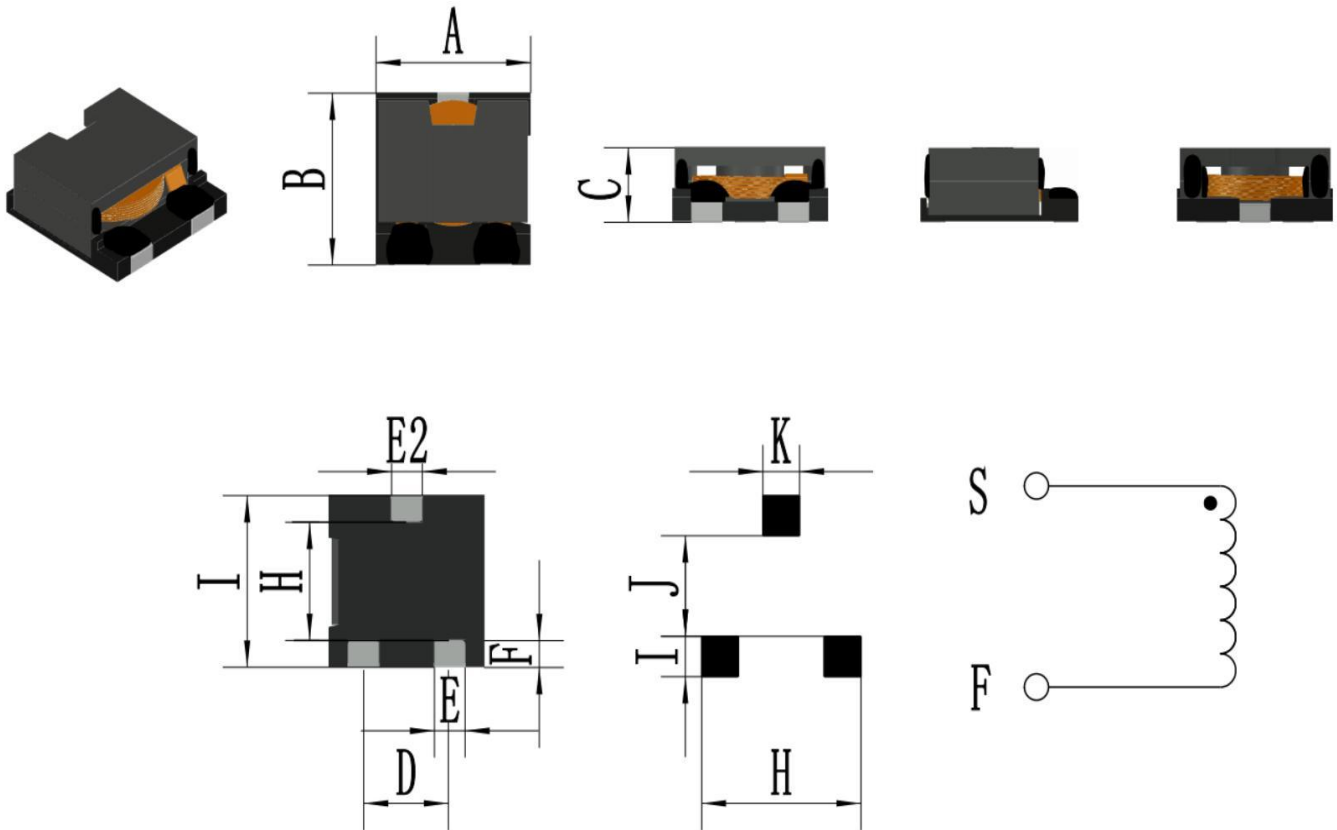
| | | | |
|------------------------|---------------|-----------------------|-----------------------------|
| 客户名称 CUSTOMER | | 日期 DATE | 2025/8/21 |
| 客户物料编号 CUSTOMER P/N | | 客户规格型号 DESCRIPTION | XRCEP125 10uH ±20% 7.5A |
| 我司物料编号 OUR PART NO | XRCEP125-100M | 我司品名 OUR PART NAME | HIGH CURRENT POWER INDUCTOR |



Product description:

1. High current, low loss of iron powdercore.
2. Low profile for machine placement.
3. Minimize electromagneticinterference.
4. Suppress common mode noise.
5. Prevent EMI effect via precise impedance.
6. Custom design available.

Appearance and dimensions (mm)外形尺寸:



| Series Name | A | B | C | D | E | E2 | F | H | I | J | K |
|-------------|---------|---------|--------|---------|-----|-----|-----|-----|-----|-----|-----|
| XRCEP125 | 13.0max | 13.5max | 5.8max | 6.9±0.5 | 2.5 | 2.5 | 2.0 | 9.0 | 2.5 | 8.0 | 3.0 |

产品承认书

SPECIFICATION FOR APPROVAL

| | | | |
|------------------------|---------------|-----------------------|-----------------------------|
| 客户名称 CUSTOMER | | 日期 DATE | 2025/8/21 |
| 客户物料编号 CUSTOMER P/N | | 客户规格型号 DESCRIPTION | XRCEP125 10uH ±20% 7.5A |
| 我司物料编号 OUR PART NO | XRCEP125-100M | 我司品名 OUR PART NAME | HIGH CURRENT POWER INDUCTOR |

电性能参数Electrical parameters;

| Part Number 型号 | Inductance (uH) 电感量 | 精度 precision (±) | 饱和电流 Isat (A) Type | 直流电阻 DCR (mΩ) Max | 测试条件At |
|-------------------|------------------------|---------------------|--------------------------|-------------------------|--------------|
| XRCEP125-100M | 10 | 20% | 7.5 | 13.20 | 100kHz,0.25V |

All data is tested based on 25° C ambient temperature.

所有数据基于环境温度25℃条件下测试。

※1 Inductance measure condition at 100kHz, 0.1V.

电感测试条件为100kHz, 0.1V。

※2 Saturation current: the actual value of DC current when the inductance decrease 20% of its initial value.

饱和电流: 电感值下降其初始值的20%时所加载的实际直流电流值。

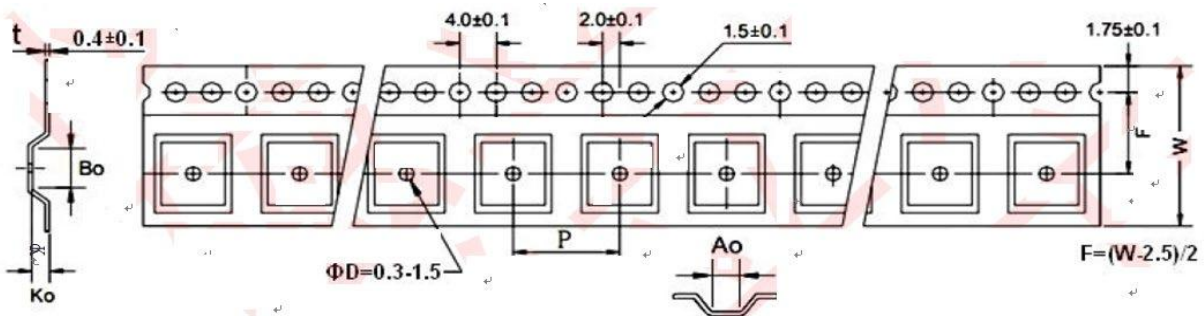
※3 Temperature rise current: the actual value of DC current when the temperature rise is $\Delta T40^{\circ}C$ ($T_a=25^{\circ}C$).

温升电流: 使产品温度上升到 $\Delta T40^{\circ}C$ 时所加载的实际直流电流值 ($T_a=25^{\circ}C$)。

※ Special remind: Circuit design, component placement, PCB size and thickness, cooling system and etc.

all will affect the product temperature. Please verify the product temperature in the final application.

特别提醒: 线路设计, 组件布局, 印刷电路板 (PCB) 尺寸及厚度, 散热系统等均会影响产品温度。请务必在最终应用时, 验证产品发热状况。



| Series | QTY {Pcs/Reel} | A0 | B0 | K0 | W | P |
|-------------|----------------|--------------|------|-------|----|----|
| XRCEP125 | 500 Ref | 13.4 | 13.6 | 5., 8 | 24 | 20 |
| 制表 MADE | 审核 CHECKED | 批准 APPROVED | | | | |
| Hu Fangting | Rao0ing | LiZhengxiong | | | | |