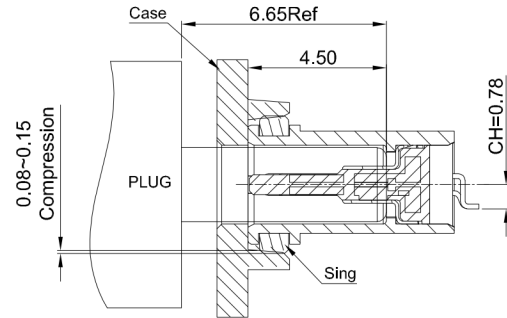
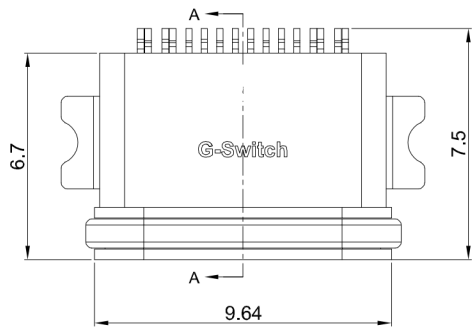


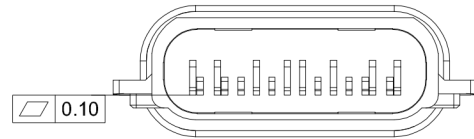
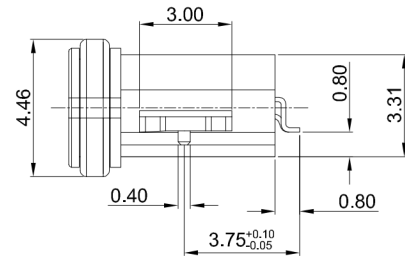
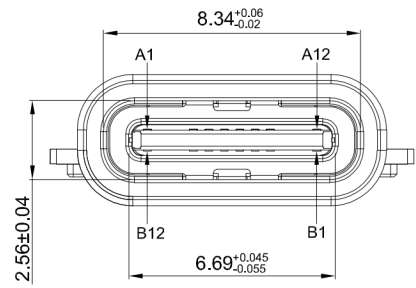
1



AFTER MATING



2



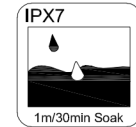
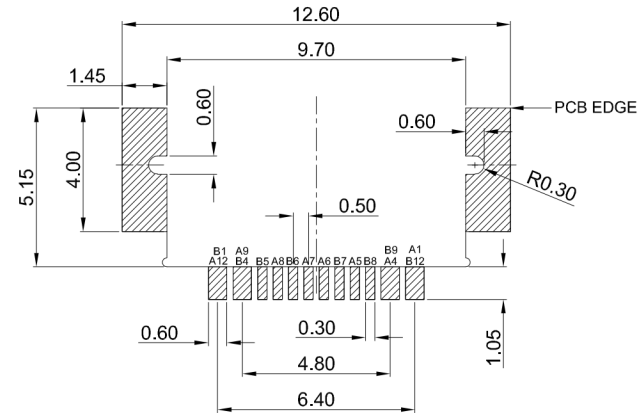
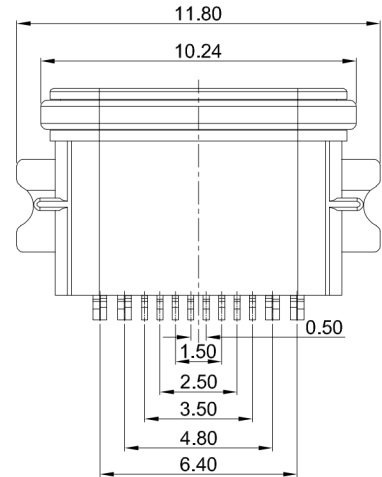
品赞电子(东莞)有限公司

**G-Switch USB-C Specification:**

1. Current rated: 5A on vbus/1.25A on vconn/0.25A on other
2. Voltage rating: 24V AC
3. Withstanding voltage: 100V AC/minute
4. Contact resistance: 40mΩ Max
5. Insulation resistance: 100MΩ Min
6. Operating temperature: -40°C ~ +85°C
7. Mating force: 5N~20N
8. Unmating force: 8N~20N
9. Durability cycle: 10,000 cycles
10. Waterproof grade: IP-X7
11. Compliant with: IEC62680-1-3

USB IF TID:13584

4



RECOMMENDED PCB LAYOUT  
TOLERANCE ±0.05mm

A1	A2	A3	A4	A5	A6	A7	A8	A9	A10	A11	A12
GND			VBUS	CC1	D+	D-	SBU1	VBUS			GND
First			First	Second	Second	Second	Second	First			First
B12	B11	B10	B9	B8	B7	B6	B5	B4	B3	B2	B1
GND			VBUS	SBU2	D-	D+	CC2	VBUS			GND
First			First	Second	Second	Second	Second	First			First

5

1	SHELL	ZN-ALLOY	NI30u"MIN PLATED
2	EMI	STAINLESS STEEL304	---
3	MID PLATE	STAINLESS STEEL301	---
4	HOUSING	HIGH TEMPERATURE PLASTIC	PA9T BLACK UL 94 V-0
5	TERMINALS	COPPER ALLOY C7025	Au1u"MIN PLATING ON CONTACT AREA Tin30u"MIN PLATING ON SOLDER AREA
6	WATERPROOF RING	SILICA GEL	RED
NO.	PARTS	MATERIAL	REMARKS



SCALE: 1:1 UNIT: mm  
SIZE: A4

Unless otherwise General Tolerance:  
X.x ±0.30  
X.xx ±0.20  
X.xxx ±0.10  
X.x° ±3°  
X.xx° ±2°

Title: IPX7 Horizontal Type-c 16P Female  
SMT Mid-Mount 0.8 CH=0.78 L=6.7mm

Title: IPX7 Horizontal Type-c 16P Female SMT Mid-Mount 0.8 CH=0.78 L=6.7mm			
Molde Code: GT-USB-9103A			
DRAWN	CHECKED	APPROVED	DATE
Xia	Chen	Chen	2028.02.09



REV: A0 SHEET: 1/1

A

B

D

E

品赞电子(东莞)有限公司

4

5