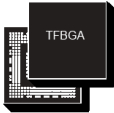




STM32MP251C/F STM32MP253C/F STM32MP255C/F STM32MP257C/F

Datasheet

Arm[®] based dual Cortex[®]-A35 1.5 GHz + Cortex[®]-M33 MPU with AI, 3D GPU, video encoder/decoder, TFT/DSI/LVDS, USB 3.0, PCIe[®], crypto



TFBGA361 (16 × 16 mm) pitch 0.8 mm
VFPGA361 (10 × 10 mm) pitch 0.5 mm
VFPGA424 (14 × 14 mm) pitch 0.5 mm
TFBGA436 (18 × 18 mm) pitch 0.8 mm

Product summary

STM32MP25xC/F

STM32MP251C,
STM32MP251F,
STM32MP253C,
STM32MP253F,
STM32MP255C,
STM32MP255F,
STM32MP257C,
STM32MP257F

Features

Includes ST state-of-the-art patented technology.

Cores

- Up to 64-bit dual-core Arm[®] Cortex[®]-A35
 - Up to 1.5 GHz
 - 32-Kbyte I + 32-Kbyte D level 1 cache for each core
 - 512-Kbyte unified level 2 cache
 - Arm[®] NEON™ and Arm[®] TrustZone[®]
- 32-bit Arm[®] Cortex[®]-M33 with FPU/MPU
 - Up to 400 MHz
 - L1 16-Kbyte I / 16-Kbyte D
 - Arm[®] TrustZone[®]
- 32-bit Arm[®] Cortex[®]-M0+ in SmartRun domain
 - Up to 200 MHz (up to 16 MHz in autonomous mode)

Memories

- External DDR memory up to 4 Gbytes
 - Up to DDR3L-2133 16/32-bit
 - Up to DDR4-2400 16/32-bit
 - Up to LPDDR4-2400 16/32-bit
- 808-Kbyte internal SRAM: 256-Kbyte AXI SYSRAM, 128-Kbyte AXI video RAM or SYSRAM extension, 256-Kbyte AHB SRAM, 128-Kbyte AHB SRAM with ECC in backup domain, 8-Kbyte SRAM with ECC in backup domain, 32 Kbytes in SmartRun domain
- Two Octo-SPI memory interfaces
- Flexible external memory controller with up to 16-bit data bus: parallel interface to connect external ICs, and SLC NAND memories with up to 8-bit ECC

Security/safety

- Secure boot, TrustZone[®] peripherals, active tamper, environmental monitors, display secure layers, hardware accelerators
- Complete resource isolation framework

Reset and power management

- 1.71 to 1.95 V and 2.7/3.0 to 3.6 V multiple section I/O supply
- POR, PDR, PVD, and BOR
- On-chip LDO and power-switches for RETRAM, BKPSRAM, V_{SW}, and SmartRun domains
- Dedicated supplies for Cortex[®]-A35 and GPU/NPU (if present)
- Internal temperature sensors
- Low-power modes: Sleep, Stop, and Standby
- DDR memory retention in Standby mode

- Controls for PMIC companion chip

Low-power consumption

Clock management

- Internal oscillators: 64 MHz HSI, 4/16 MHz MSI, 32 kHz LSI
- External oscillators: 16-48 MHz HSE, 32.768 kHz LSE
- Up to 8× PLLs with fractional mode

General-purpose inputs/outputs

- Up to 172 secure I/O ports with interrupt capability
 - Up to 6 wake-up inputs
 - Up to 8 tamper input pins + 8 active tampers output pins

Interconnect matrix

- Bus matrices
 - 128-, 64-, 32-bit STNoC interconnect, up to 600 MHz
 - 32-bit Arm® AMBA® AHB interconnect, up to 400 MHz

4 DMA controllers to unload the CPU

- 48 + 4 physical channels in total
- 3× dual master port, high-performance, general-purpose, direct memory access controller (HPDMA), 16 channels each
- 1× low-power DMA controller with 4 channels in SmartRun domain

Up to 51 communication peripherals

- 8× I²C FM+ (1 Mbit/s, SMBus/PMBus®)
- 4× I³C (12.5 Mbit/s)
- 5× UART + 4× USART (12.5 Mbit/s, ISO7816 interface, LIN, IrDA, SPI) + 1× LPUART
- 8× SPI (50 Mbit/s, including 3 with full duplex I²S audio class accuracy via internal audio PLL or external clock)(+2 with OCTOSPI + 4 with USART)
- 4× SAI (stereo audio: I²S, PDM, SPDIF Tx)
- SPDIF Rx with 4 inputs
- 3× SDMMC up to 8-bit (SD/e•MMC™/SDIO)
- Up to 3× CAN controllers supporting CAN FD protocol, out of which one supports time-triggered CAN (TTCAN)
- 1× USB 2.0 high-speed Host with embedded 480 Mbits/s PHY
- 1× USB 2.0/3.0 high-speed/SuperSpeed dual role data with embedded 480 Mbits/s and 5 Gbits/s PHY (5 Gbits/s PHY shared with PCI Express)
- 1× USB Type-C® Power Delivery control with two CC lines PHY
- 1 × PCI Express with embedded 5 Gbits/s PHY (PHY shared with USB 3.0 SuperSpeed)
- Up to 3× Gigabit Ethernet interfaces
 - 1× Gigabit Ethernet GMAC with one PHY interface (optional)
 - 1× Gigabit Ethernet GMAC with one external PHY interface, optionally internally connected to one embedded Ethernet switch providing two external PHY interfaces
 - TSN, IEEE 1588v2 hardware, MII/RMII/RGMII

- Camera interface #1 (5 Mpixels at 30 fps)
 - MIPI CSI-2[®], 2× data lanes up to 2.5 Gbit/s each
 - 8- to 16-bit parallel, up to 120 MHz
 - RGB, YUV, JPG, RawBayer with Lite-ISP
 - Lite-ISP, demosaicing, downscaling, cropping, 3 pixel pipelines
- Camera interface #2 (1 Mpixels at 15 fps)
 - 8- to 14-bit parallel, up to 80 MHz
 - RGB, YUV, JPG
 - Cropping
- Digital parallel interface up to 16-bit input or output

7 analog peripherals

- 3 × ADCs with 12-bit max. resolution (up to 5 Msps each, up to 23 channels)
- Internal temperature sensor (DTS)
- 1× multifunction digital filter (MDF) with up to 8 channels/8 filters
- 1× audio digital filter (ADF) with 1 filter and sound activity detection
- Internal (VREFBUF) or external ADC reference V_{REF+}

Graphics

- Optional 3D GPU: VeriSilicon[®] - Up to 900 MHz
 - OpenGL[®] ES 3.1 - Vulkan 1.3
 - OpenCL[™] 3.0, OpenVX[™] 1.3
 - Up to 150 Mtriangle/s, 900 Mpixel/s
- LCD-TFT controller, up to 24-bit // RGB888
 - Up to FHD (1920 × 1080) at 60 fps
 - 3 layers including a secure layer
 - YUV support, 90° output rotation
- Optional MIPI DSI[®], 4× data lanes, up to 2.5 Gbit/s each
 - Up to QXGA (2048 × 1536) at 60 fps
- Optional FPD-1 and OpenLDI JEIDA/VESA (LVDS), up to 2× links of 4× data lanes, up to 1.1 Gbit/s per lane
 - Up to QXGA (2048 × 1536) at 60 fps

Artificial intelligence

- Optional NPU: VeriSilicon[®] - Up to 900 MHz
 - TensorFlowLite - ONNX - Linux NN

Video processing

- Optional hardware video encoder and decoder up to 600 MHz
 - H264/VP8 up to FHD (1920×1080) at 60 fps
 - JPEG up to 500 Mpixel/s
 - 128 Kbytes of video RAM

Up to 34 timers and 7 watchdogs

- 4× 32-bit timers with up to 4 IC/OC/PWM or pulse counter and quadrature (incremental) encoder input
- 3× 16-bit advanced motor control timers
- 10× 16-bit general-purpose timers (including 2 basic timers without PWM)
- 5× 16-bit low-power timers
- Secure RTC with subsecond accuracy and hardware calendar
- Up to 2× 4 Cortex[®]-A35 system timers (secure, non-secure, virtual, hypervisor)

- 2× SysTick Cortex[®]-M33 timer (secure, non-secure)
- 1× SysTick Cortex[®]-M0+ timer
- 7× watchdogs (5× independent and 2× window)

Hardware acceleration

- AES-128, -192, -256, DES/TDES
- Secure AES-256 with SCA
- RSA, ECC, ECDSA with SCA
- HASH (SHA-1, SHA-224, SHA-256, SHA3), HMAC
- True random number generator
- CRC calculation unit
- “On-the-fly” DDR encryption/decryption (AES-128)
- “On-the-fly” OTFDEC Octo-SPI flash memory decryption (AES-128)

Debug mode

- Arm[®] CoreSight™ trace and debug: SWD and JTAG interfaces

12288-bit fuses including 96-bit unique ID

All packages are ECOPACK2 compliant



1 Introduction

This document provides information on STM32MP25xC/F devices, such as description, functional overview, pin assignment and definition, electrical characteristics, packaging and ordering information.

It must be read in conjunction with the STM32MP23/25xx reference manual (RM0457).

For information on the device errata with respect to the datasheet and reference manual, refer to the STM32MP23xx/25xx device errata (ES0598).

For information on the Arm[®] Cortex[®]-M33 core, refer to the Cortex[®]-M33 Technical Reference Manual, available from the www.arm.com website.

Note: Arm is a registered trademark of Arm Limited (or its subsidiaries) in the US and/or elsewhere.

arm

2 Description

STM32MP25xC/F devices are based on the high-performance single or dual-core Arm® Cortex®-A35 64-bit RISC core operating at up to 1.5 GHz. The Cortex®-A35 processor includes a 32-Kbyte L1 instruction cache for each CPU, a 32-Kbyte L1 data cache for each CPU, and a 512-Kbyte L2 cache. The Cortex®-A35 processor uses a highly efficient 8-stage in-order pipeline that has been extensively optimized to provide full Armv8-A features while maximizing area and power efficiency.

STM32MP25xC/F devices also embed a Cortex®-M33 32-bit RISC core operating at up to 400 MHz frequency. The Cortex®-M33 core features a floating point unit (FPU) single precision which supports Arm® single-precision data-processing instructions, and data types. The Cortex®-M33 supports a full set of DSP instructions, TrustZone®, and a memory protection unit (MPU) which enhances application security.

The devices also embed a Cortex®-M0+ 32-bit RISC core operating at up to 200 MHz frequency (16 MHz when running from backup regulator). This processor is located in the SmartRun domain, and can be used to ensure very-low-power peripheral activity when all other processors and domains are stopped.

STM32MP25xC/F devices can also embed a 3D graphic processing unit (VeriSilicon®, OpenGL ES 3.1, Vulkan 1.3, OpenCL 3.0, OpenVX 1.3) running at up to 900 MHz, with performances up to 150 Mtriangle/s, 900 Mpixel/s.

The graphic processing unit can provide a neural processor unit (VeriSilicon®, TensorFlowLite, ONNX, Linux NN) running at up to 900 MHz.

STM32MP25xC/F devices provide an external SDRAM interface supporting external memories up to 32-Gbit density (4 Gbytes), 16- or 32-bit DDR3L up to 1066 MHz, 16- or 32-bit LPDDR4 or DDR4 up to 1200 MHz. The SDRAM content can be encrypted with AES-128.

The devices incorporate high-speed embedded memories: 808 Kbytes of internal SRAM (including 256-Kbyte AXI SYSRAM, 128-Kbyte AXI video SRAM (which can be used as general purpose), two banks of 128 Kbytes each of AHB SRAM, three banks of 8, 8, and 16 Kbytes of AHB SRAM in SmartRun domain, 128 Kbytes of AHB SRAM in backup domain, and 8 Kbytes of SRAM in backup domain), as well as an extensive range of enhanced I/Os and peripherals connected to APB buses, AHB buses, a 32-bit multi-AHB bus matrix, and a 128/64-bit multi-layer AXI interconnect supporting access to internal and external memories.

Each device offers three ADCs, a low-power secure RTC, 12 general-purpose 16-bit timers, 4 general-purpose 32-bit timers, three PWM timers for motor control, five low-power timers, and a true random number generator (RNG), and cryptographic acceleration cells.

STM32MP25xC/F devices offer a video encoder and a video decoder.

The devices support 8 multi-function digital filters (MDF), and one dedicated audio-digital filter with sound-activity detection (ADF).

The devices feature the following standard and advanced communication interfaces.

Standard peripherals

- eight I2Cs
- four I3Cs
- four USARTs and five UARTs
- one low-power UART
- eight SPIs, three I2Ss full-duplex controller/target. The I2S peripherals can be clocked via a dedicated internal audio PLL or via an external clock.
- four SAI serial audio interfaces
- one SPDIF Rx interface
- three SDMMC interfaces
- an USB 2.0 Host with embedded Hi-Speed PHY
- an USB 2.0/3.0 dual-role data with both Hi-Speed and 5Gbits/s SuperSpeed PHYs
- three FDCAN interfaces, including one supporting TTCAN mode (optional)
- two Gigabit Ethernet Interface, with TSN support (optional)
- one Gigabit Ethernet Switch connected to ETH1 and providing two external PHY interfaces, with TSN support (optional)

Advanced peripherals including

- a flexible memory control (FMC) interface

- two Octo-SPI flash memory interface , with on-the-fly content decryption
- two camera interfaces for CMOS sensors, one with basic ISP, demosaicing and parallel or MIPI CSI interface
- an LCD-TFT display interface
- a MIPI DSI display interface (optional)
- an LVDS display interface (optional)

A comprehensive set of power-saving mode allows the design of low-power applications.

STM32MP25xC/F devices are proposed in various packages up to 436 balls with 0.5 mm to 0.8 mm pitch. The set of included peripherals can change with the selected device.

These features make STM32MP25xC/F devices suitable for a wide range of consumer, industrial, white goods and medical applications.

Figure 1 shows the general block diagram of STM32MP25xC/F devices.

Table 1. STM32MP25xC/F features and peripheral counts

Features		STM32MP25xC/F	
Package		TFBGA361 (16×16 pitch 0.8 mm), VFBGA361 (10×10 pitch 0.5 mm), VFBGA424 (14×14 pitch 0.5 mm), TFBGA436 (18×18 pitch 0.8 mm) ⁽¹⁾	
CPU processor		Up to dual-core Cortex-A35 FPU Neon TrustZone, up to 1500 MHz ⁽¹⁾	
ROM		128 Kbytes (only for Cortex-A35)	
GPU		Optional VeriSilicon GC8000UL up to 900 MHz ⁽¹⁾	
NPU			
MCU processor		-	Cortex-M33 FPU TrustZone
		Caches size	16-Kbyte data cache 16-Kbyte instruction cache
		Frequency	400 MHz
SmartRun processor		-	Cortex-M0+
		Frequency	16 MHz
Video		Decoder (VDEC)	H264/VP8 up to 1080p60
		Encoder (VENC)	JPEG 500 Mpixel/s ⁽¹⁾
		Video RAM	Up to 128 Kbytes ⁽¹⁾
Embedded SRAM (808 Kbytes)		CPU system	Up to 384 Kbytes ⁽¹⁾
		MCU system	256 Kbytes (128 Kbytes tamper protected)
		MCU retention	128 Kbytes
		SmartRun domain	32 Kbytes
		Backup	8 Kbytes (tamper protected)
SDRAM		DDR3L	1066 MHz
		DDR4	1200 MHz
		LPDDR4	1200 MHz
Backup registers		512 bytes (128 × 32-bits, tamper protected)	
Timers		Advanced	16 bits 3
		General purpose	16 bits 8
			32 bits 4

Features			STM32MP25xC/F	
Timers	Basic	16 bits	2	
	Low power	16 bits	5	
	SysTick	24 bits	2 (Cortex-M33, secure and non-secure)	
		24 bits	1 (Cortex-M0+)	
	Cortex-A35 (CNT)	64 bits	Up to 2 × 4 (secure, non-secure, Virtual, Hypervisor) ⁽¹⁾	
	RTC		1	
Watchdog		7 (5× independent, 2× window)		
Communication Peripherals	SPI	Total	8	
		having I2S	3	
	I2C (with SMB/PMB support)		8	
	I3C		4	
	USART (Smartcard, SPI, IrDA, LIN) + UART (IrDA, LIN) ⁽²⁾		4 + 5	
	LPUART		1	
	SAI		4 (up to 8 audio channels), with I2S master/slave, PCM input, SPDIF-TX	
	PCI Express (PCIE)		Yes, 1× TX + 1× RX, embedded 5 Gbit/s PHY	
	USB	USB 2.0 Host (USBH)		1 port, embedded Hi-Speed PHY
		USB 2.0/3.0 Dual Role (USB3DR) ⁽²⁾		Yes, embedded Hi-Speed and SuperSpeed 5 Gbit/s PHY
		Embedded PHYs		3 (2× Hi-Speed + 1× SuperSpeed 5 Gbit/s)
Type-C support (UCPD)		Yes, includes two CC-lines embedded PHY		
SPDIFRX		4 inputs		
FDCAN		Up to 3 ⁽¹⁾		
SDMMC (SD, SDIO, eMMC) ⁽²⁾			3 (8 + 8 + 4 bits).	
OCTOSPI ⁽²⁾			2, with AES-128 (CTR) decryption (OTFDEC)	
FMC	Parallel address/data 8/16 bits		4× CS, up to 4x 64 Mbytes ⁽¹⁾	
	Parallel AD-Mux 8/16 bits		4× CS, up to 4x 64 Mbytes ⁽¹⁾	
	NAND 8/16 bits ⁽²⁾		Yes, 4 x CS, SLC, BCH4/8 ⁽¹⁾	
Gigabit Ethernet interfaces			Up to 3 ⁽¹⁾	
LCD-TFT (LTDC)	-		Up to 314 MHz pixel clock (when used with DSI or LVDS)	
	Parallel interface		Up to 24-bits 150 MHz pixel clock (up to 1080p60)	
Display serial interface (DSI)			4× data lanes 2.5 Gbit/s each (up to 1536p60) ⁽¹⁾	
LVDS display interface (LVDS)			Up to dual-link of 4× data lanes 1.1 Gbit/s each (up to 1536p60) ⁽¹⁾	
Camera interface	-		CSI-2 + RGB/RawBayer parallel	
	CSI-2 serial (CSI + DCMIPP)		2× data lanes 2.5 Gbit/s each, path shared with DCMIPP	
	Parallel RGB/RawBayer (DCMIPP)		Up to 120 MHz, path shared with CSI.	
	Image signal processing (ISP)		Yes, embedded inside DCMIPP	

Features		STM32MP25xC/F
Camera interface	Parallel RGB (DCMI)	Up to 80 MHz
Parallel interface (PSSI)		16-bit input or output, path shared with DCMI and DCMIPP
HPDMA		3 instances, 48 physical channels in total
LPDMA		1 instance, 4 physical channels
Cryptography	CRYP (two instances)	DES/TDES (ECB, CBC), AES-256 (ECB, CBC, CTR, GCM, GMAC, CCM)
	Secure AES (SAES)	AES-256 (ECB, CBC, CTR, GCM, GMAC, CCM), hardware attack protections, keys sharing to CRYP
	Public key accelerator (PKA)	Public key primitives for RSA, DH, and ECC over GF(p). 64-bit core
Hash (HASH)		SHA-1, SHA-2 and SHA-3 (up to 512), MD5, HMAC
Random number generator (RNG)		True-RNG. FIPS 140-2 NDRNG (NIST SP800-90B certifiable)
Fuses (one-time programming)		12288 effective bits
Multi-function digital filter (MDF)		8 input channels with 8 filters
Audio digital filter (ADF)		1 input channel with 1 filter and sound-activity detection
GPIOs	with interrupt (total count)	Up to 172 ⁽¹⁾
	Wake-up pins	Up to 6 ⁽¹⁾
	Tamper input/active output pins	Up to 8 inputs and 8 outputs ⁽¹⁾
Up to 12 bit ADC		3 (up to 5 Msps each)
-	ADC channels in total (differential)	Up to 23 channels (or 11 differential) ⁽¹⁾
	VREF generation (VREFBUF)	1.21 V, 1.5 V, or VREF+ input
	VREF+ input pin	Yes

1. See next tables for details.

2. Can be a boot source.

Table 2. STM32MP25xC/F differences per product lines

Feature		STM32MP251x	STM32MP253x	STM32MP255x	STM32MP257x
CPU	Cortex-A35 FPU Neon TrustZone	Single-core	Dual-core		
	Cache size	L1 data + instruction	32 + 32 Kbytes	2 x (32 + 32) Kbytes	
		L2 unified	512 Kbytes	512 Kbytes	
	Frequency	STM32MP25xC	Up to 1200 MHz		
STM32MP25xF		Up to 1500 MHz			
GPU	For 3D graphics	No	VeriSilicon GC8000UL - Open GL ES 3.2.8 - Vulkan 1.2		
	Performance ⁽¹⁾ / frequency	STM32MP25xC	-	800 MHz, up to 133 Mtriangle/s or 800 Mpixel/s	
		STM32MP25xF	-	900 MHz, up to 150 Mtriangle/s or 900 Mpixel/s	
NPU	For AI processing	No	VeriSilicon GC8000UL - TensorFlowLite - ONNX - Linux NN		

Feature			STM32MP251x	STM32MP253x	STM32MP255x	STM32MP257x
NPU	Performance ⁽¹⁾ / frequency	STM32MP25xC	-		800 MHz, 1.2 TOPS	
		STM32MP25xF	-		900 MHz, 1.35 TOPS	
Video	Decoder (VDEC)		No		H264/VP8 up to 1080p60 - JPEG 500 Mpixel/s ⁽²⁾	
	Encoder (VENC)		No			
	Frequency		-		600 MHz	
Embedded SRAM	Video RAM		No		128 Kbytes, shared between VDEC and VENC ⁽³⁾	
	CPU system		256 + 128 Kbytes		256 Kbytes ⁽³⁾	
Timers	A35 (CNT)	64 bits	4 (S, NS, V, H)	2x 4 (secure, non-secure, Virtual, Hypervisor)		
FDCAN			No	3 (1x TT-FDCAN), 10-Kbyte shared buffer		
Gigabit Ethernet interfaces	External interfaces		1, R(G)MII, MII	2, R(G)MII, MII		3, R(G)MII
	GMAC (ETH), TSN, PTP, EEE		1	2		
	3 ports Gigabit Switch (ETHSW)		No	No	No	2 external ports
Display serial interface (DSI)			No		4× data lanes 2.5 Gbit/s each (up to 1536p60)	
LVDS display interface (LVDS)			No		Up to dual-link of 4x data lanes 1.1 Gbit/s each (up to 1536p60) ⁽⁴⁾	

1. GPU and NPU share performance.
2. This is the performance of either VDEC or VENC running alone. VDEC and VENC share performances as they are using same video RAM.
3. If neither VDEC nor VENC are used, the video RAM can be used as general purpose memory, thus giving a total of 384 Kbytes for CPU system.
4. Single or dual-link depends on the package (see next table for details).

Table 3. STM32MP25xC/F differences per packages

Features		STM32MP25xxAJ	STM32MP25xxAL	STM32MP25xxAK	STM32MP25xxAI
		TFBGA361	VFBGA361	VFBGA424	TFBGA436
Packages	Body size (mm)	16×16	10×10	14×14	18×18
	Pitch (mm)	0.8	0.5	0.5	0.8
	Thickness (mm)	1.2	1	1	1.2
	Ball count	361	361	424	436
SDRAM	-		Up to 2 x 4.8 Gbytes/s internal buses. AES-128 encryption/decryption		
	DDR3L	16 bits 1066 MHz	Up to 1 Gbyte, single rank		
		32 bits 1066 MHz	-	Up to 2 Gbytes, single rank	
	DDR4	16 bits 1200 MHz	Up to 4 Gbytes, single rank		
		32 bits 1200 MHz	-	Up to 4 Gbytes, single rank	
	LPDDR4	16 bits 1200 MHz	Up to 2 Gbytes, single rank		
32 bits 1200 MHz		-	Up to 4 Gbytes, single rank two channels in parallel (lockstep)		

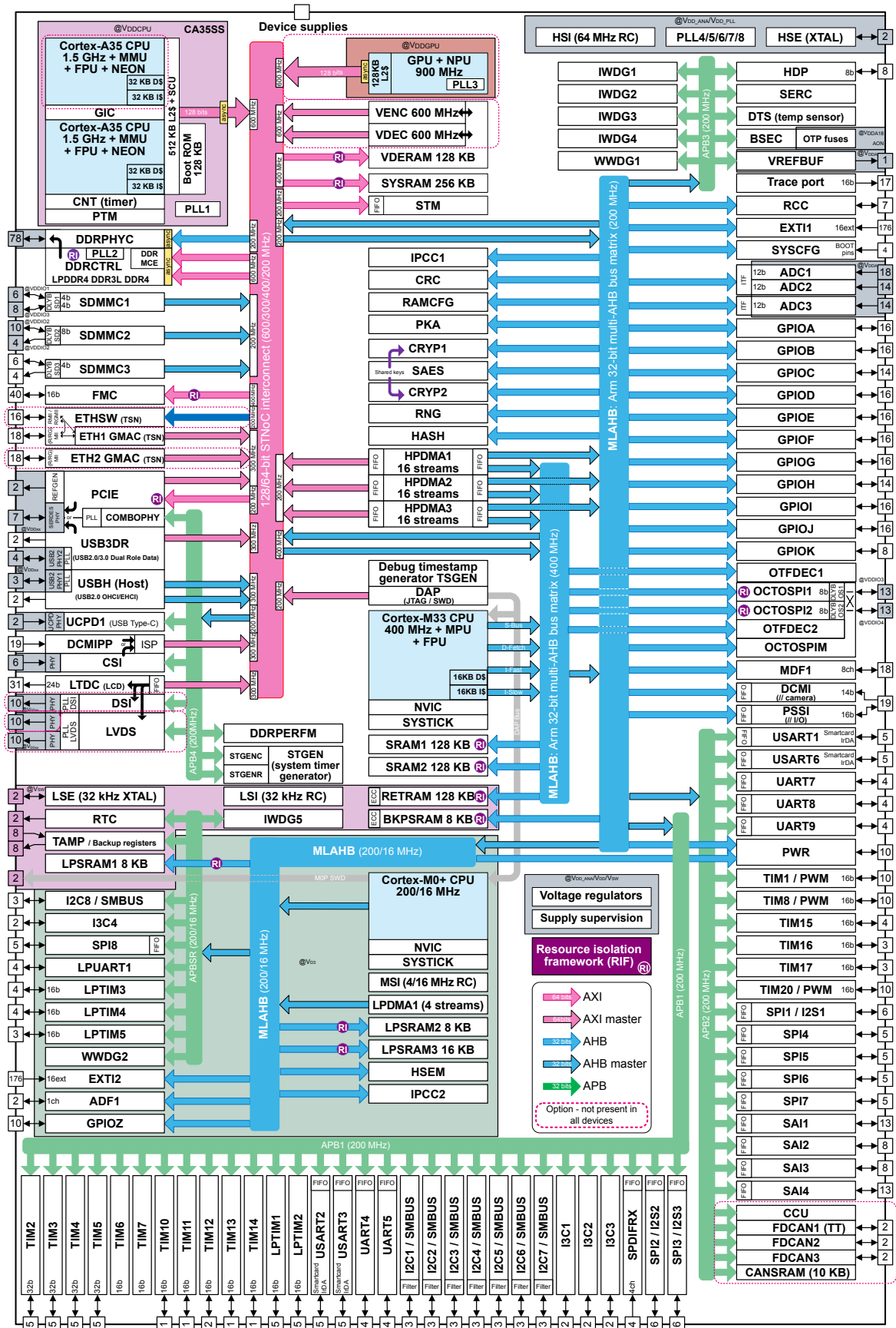
Features		STM32MP25xxAJ	STM32MP25xxAL	STM32MP25xxAK	STM32MP25xxAI
		TFBGA361	VFBGA361	VFBGA424	TFBGA436
FMC	Parallel address.data 8/16-bits	-			4× CS, up to 4× 64 MBytes
	Parallel AD-mux 8/16-bits	4× CS, up to 4× 64 MBytes			
	NAND 8/16-bits ⁽¹⁾	Yes, 4× CS, SLC, BCH4/8			
LVDS display interface (LVDS)		Single-link of 4× data lanes 1.1 Gbit/s each (up to 1080p60) ⁽²⁾		Dual-link of 4× data lanes 1.1 Gbit/s each (up to 1536p60) ⁽²⁾	
GPIO	with interrupt (total count)	144	144	144	172
	Wake-up pins	6	6	6	6
	Tamper input/active output pins	8 + 8	8 + 8	8 + 8	8 + 8
ADC	ADC channels in total (differential)	23 (11) ⁽³⁾	23 (11) ⁽³⁾	21 (10)	23 (11) ⁽³⁾

1. Can be a boot source.

2. Availability depends on device.

3. Including 2 (or 1 differential) low-noise inputs on dedicated ANA0/ANA1 pins.

Figure 1. STM32MP25xC/F block diagram



DT98000/3

3 Functional overview

3.1 Dual-core Arm Cortex-A35 subsystem (CA35SS)

Note: Features may be limited or absent in some devices or packages (see [Section 2](#) for details).

3.1.1 Features

- Armv8-A architecture
- AArch32 for full backward compatibility with Armv7
- AArch64 for 64-bit support and new architectural features
- 32-Kbyte L1 instruction cache for each CPU
- 32-Kbyte L1 data cache for each CPU
- 512-Kbyte level2 cache
- Arm A64 + A32 + Thumb-2 instruction set
- Arm TrustZone security technology
- Arm NEON advanced SIMD
- DSP and SIMD extensions
- VFPv4 floating-point
- Hardware virtualization support
- Performance monitoring Uuit (PMU)
- Program trace macrocell (PTM) that supports instruction trace only
- Integrated generic interrupt controller (GIC) with 384 shared peripheral interrupts
- Integrated generic timer (CNT)

Note: The cryptographic extension is not supported.

3.1.2 Overview

The Cortex-A35 processor uses a highly-efficient 8-stage in-order pipeline that has been extensively optimized to provide full Armv8-A features while maximizing area and power efficiency.

3.1.2.1 **Thumb-2 technology**

Delivers the peak performance of traditional Arm code, while also providing up to a 30 % reduction in memory requirement for instructions storage.

3.1.2.2 **TrustZone technology**

Ensures reliable implementation of security applications ranging from digital rights management to electronic payment. Broad support from technology and industry partners.

3.1.2.3 **PMU**

The PMU provides six performance monitors that can be configured to gather statistics on the operation of each core and the memory system. The information can be used for debug and code profiling.

3.1.2.4 **NEON and FPU**

Advanced SIMD is a media and signal processing architecture that adds instructions primarily for audio, video, 3-D graphics, image, and speech processing. The floating-point architecture provides support for single-precision and double-precision floating-point operations.

All scalar floating-point instructions are available in the A64 instruction set. All VFP instructions are available in A32 and T32 instruction sets. The same advanced SIMD instructions are available in both A32 and T32 instruction sets. The A64 instruction set offers additional advanced SIMD instructions, including double-precision floating-point vector operations.

3.1.2.5 **Hardware virtualization**

Highly efficient hardware support for data management and arbitration, whereby multiple software environments and their applications are able to simultaneously access the system capabilities. This enables the realization of devices that are robust, with virtual environments that are well isolated from each other.

3.1.2.6 **Optimized L1 caches**

Performance and power optimized L1 caches combine minimal access latency techniques to maximize performance and minimize power consumption. There is also the option of cache coherence for enhanced inter-processor communication, or support of a rich SMP capable OS for simplified multicore software development.

3.1.2.7 **Integrated L2 cache controller**

Provides low-latency and high-bandwidth access to cached memory in high-frequency, or to reduce the power consumption associated with off-chip memory access.

3.1.2.8 **Snoop control unit (SCU)**

The SCU is responsible for managing the interconnect, arbitration, communication, cachetocache and system memory transfers, cache coherence and other capabilities for the processor.

This system coherence also reduces software complexity involved in maintaining software coherence within each OS driver.

3.1.2.9 **Generic interrupt controller (GIC)**

Implementing the standardized and architected interrupt controller, the GIC provides a rich and flexible approach to inter-processor communication, and the routing and prioritization of system interrupts.

Supporting up to 416 independent interrupts (including 384 shared interrupt), under software control, each interrupt can be distributed across Cortex-A35 cores, hardware prioritized, and routed between the operating system and TrustZone software management layer.

This routing flexibility and the support for virtualization of interrupts into the operating system, provide one of the key features required to enhance the capabilities of a solution utilizing an hypervisor.

3.2 **Arm Cortex-M33 core with TrustZone and FPU (CM33)**

The Arm Cortex-M33 core with TrustZone and FPU is a 32-bit RISC processor that features exceptional code-efficiency, delivering the high-performance expected from an Arm core in the memory size usually associated with 8- and 16-bit devices.

It is comprised of:

- Arm TrustZone technology, using the Armv8-M main extension supporting secure and non-secure states
- Floating-point extension (FPU)
- Armv8-M DSP extension
- A nested vectored interrupt controller (NVIC) is closely integrated with the processor
- A memory system with memory protection unit (MPU) with up to 16 non-secure regions and 16 secure regions
- A security attribution unit (SAU) with up to eight regions
- An implementation defined attribution unit (IDAU)
- Debug components including breakpoints (BPU), data watchpoints (DWT), instrumentation, and processor trace (ITM/ETM), cross-trigger interface (CTI)
- 16-Kbyte instruction and 16-Kbyte data caches (ICACHE/DCACHE)

3.3 **Arm Cortex-M0+ core (CM0P)**

The Cortex-M0+ processor is built on a highly area- and power-optimized 32bit core, with a 2-stage pipeline Von Neumann architecture. The processor delivers exceptional energy efficiency through a small but powerful instruction set and extensively optimized design, providing high-end processing hardware including a single-cycle multiplier.

The Cortex-M0+ processor provides the exceptional performance expected of a modern 32bit architecture, with a higher code density than other 8bit and 16bit microcontrollers.

The Cortex-M0+ is tightly coupled with a nested vectored interrupt controller (NVIC)

3.4 Graphic processing unit (GPU)

Note: Features may be limited or absent in some devices or packages (see [Section 2](#) for details).

STM32MP25xC/F devices include a 3D graphics engine (VeriSilicon GC8000UL).

The GPU is a dedicated graphics processing unit accelerating numerous 3D graphics applications such as graphical user interface (GUI), menu display or animations. It works together with an optimized software stack design for industry-standard APIs with support for Android™ and Linux® embedded development platforms.

The GPU is used to accelerate parallel computing (GPGPU), via the typical OpenCL or Vulkan API, or more image-based API like OpenVX or OpenCV. This wide support guarantees to be able to accelerate any application up to the most recent ones, with graphic performances reaching 25.6 GFlops.

The GPU is built in a separate power domain, which allows the GPU to be switched off when not used in the long-term, or even to play with dynamic voltage frequency scaling (DVFS).

The GPU graphic hardware acceleration is exposed through the following API:

- OpenVG 1.2 for 2D or curve drawing
- OpenGL/ES 3.1 for 3D apps (backward compatible: OES2.1 and OES1.1)
- Vulkan 1.3 for modern 3D apps
- OpenCL 3.0 for parallel programming
- OpenVX 1.3 for acceleration of computer vision applications

The GPU provides the following graphic theoretical performance (values for 800 MHz):

- Vertex: 200 MVtx/s
- Triangle: 133 MTrg/s
- Texel: 800 MTex/s
- Pixel: 800 MPix/s
- Float 16bit: 25.6 GFlops
- Float 32bit: 12.8 GFlops

3.5 Neural processor unit (NPU)

Note: Features may be limited or absent in some devices or packages (see [Section 2](#) for details).

The NPU provides powerful hardware acceleration for neural network, to allow efficient artificial intelligence (AI) applications.

The NPU acceleration is implemented by hardware neural operator inserted into the GPU. As such, it benefits of both optimized hardware (the neural operator), and of the flexibility and efficiency of the existing GPU shaders.

The NPU neural hardware acceleration is exposed through the following API:

- TensorFlowLite-API
- ONNX
- Linux NN-API-Adapter

The NPU flexibility is used to optimally accelerate the following frameworks (nonexhaustive list)

- TensorFlow non-exhaustive hardware support
- TensorFlowLite full hardware support (including its SoftMax subset)
- Caffe, Caffe2
- CNTK, Torch, Theano, Darknet

The NPU provides the following neural theoretical performance, below values for 800 MHz (values for 900 MHz overdrive inside parenthesis):

- Integer operations: 1.2 (1.35) TOPS (8-bit integer)

To reduce the required DDR bandwidth during neural computations, the NPU embeds natively 128 Kbytes of memory.

3.6 Memories

3.6.1 External SDRAM

STM32MP25xC/F devices embed a controller for the external SDRAM which supports the following devices

- DDR3L, 16- or 32-bit data, up to 2 Gbytes, up to DDR3L-2133 (1066 MHz clock)
- DDR4, 16- or 32-bit data, up to 4 Gbytes, up to DDR4-2400 (1200 MHz clock)
- LPDDR4, 16- or 32-bit data, up to 4 Gbytes, up to LPDDR4-2400 (1200 MHz clock)

3.6.2 Embedded SRAM

All devices feature:

- SYSRAM in MPU domain: 256 Kbytes with half/full hardware erase mechanism on reset
- VDERAM in MPU domain: 128 Kbytes (not usable when either VDEC or VENC is used) with hardware erase mechanism on enable as general purpose RAM
- SRAM1 in MCU domain: 128 Kbytes with hardware erase mechanism on tamper detection
- SRAM2 in MCU domain: 128 Kbytes
- LPSRAM1 in SmartRun domain: 8 Kbytes with hardware erase mechanism on reset
The content of this area can be retained in Standby or V_{BAT} mode, and can be protected by the CRC mechanism.
- LPSRAM2 in SmartRun domain: 8 Kbytes with hardware erase mechanism on reset
- LPSRAM3 in SmartRun domain: 16 Kbytes
- RETRAM (retention RAM): 128 Kbytes with hardware erase mechanism on reset
The content of this area can be retained in Standby or V_{BAT} mode, and can be protected by ECC and CRC mechanisms.
- BKPSRAM (backup SRAM): 8 Kbytes with hardware erase mechanism on tamper detection
The content of this area can be protected against possible unwanted accesses, and can be retained in Standby or V_{BAT} mode. The content can also be protected by ECC mechanism.

3.7 DDR3L/DDR4/LPDDR4 controller (DDRCTRL)

Note: Features may be limited or absent in some devices or packages (see Section 2 for details).

DDRCTRL combined with DDRPHYC provides a complete 16 /32-bit memory interface solution for DDR memory subsystem.

- JEDEC compliant LPDDR4 SDRAM up to 2400 MT/s
- JEDEC compliant DDR4 SDRAM up to 2400 MT/s with DLL on-range
- JEDEC compliant DDR3L SDRAM up to 2133 MT/s with DLL on-range
- 2 x 128-bit AXI4 ports
 - up to 16 QoS levels and up to 3 traffic classes are supported per direction.
 - CID-based firewalling function with poisoning output signaling
 - 1 port provided with AES- 128 encryption/decryption with programmable memory range (DDRMCE)

Low-power features:

- Linked with the RCC, ability to move the DDR memory subsystem in self-refresh through automatic way, hardware way, or software way (ASR, HSR, and SSR).

3.8 Boot modes

At startup, the boot source used by the internal boot ROM is selected by BOOT pins and OTP settings.

Table 4. Default interfaces

Unless otherwise mentioned in table below.

Boot source	When used by Cortex-A35	When used by Cortex-M33
SD-Card		SDMMC1
eMMC		SDMMC2
Serial NOR, HyperFlash and serial NAND	OCTOSPIM port1	OCTOSPIM port2
SLC NAND		FMC
USB	USB3DR (high-speed only)	-

Boot source	When used by Cortex-A35	When used by Cortex-M33
UART	USART2/6 and UART5/8/9	-

Table 5. Boot sources

BOOT[3:0] pins	Alternate boot pins OTP value							
	0b00 (default)				0b01	0b10	0b11	
	Cortex-A35 master	Cortex-M33 master	Cortex-M33 master ⁽¹⁾		Cortex-A35 master	Cortex-M33 master	Cortex-M33 master ⁽¹⁾	
			Cortex-A35	Cortex-M33			Cortex-A35	Cortex-M33
0	UART and USB ^{(2) (3)}							
1	SD-Card	-	-	-	SD-Card	SD-Card	Serial NAND	Serial NOR
2	e•MMC	-	-	-	e•MMC	e•MMC	e•MMC	Serial NOR
3	Development boot ⁽²⁾							
4	Serial NOR	-	-	-	Serial NOR	Serial NOR	SLC NAND	Serial NOR
5	Serial NAND	-	-	-	-	-	e•MMC ⁽⁴⁾	Serial NOR
6	SLC NAND	-	-	-	-	-	e•MMC ⁽⁴⁾	HyperFlash™
7	-	SD-Card	-	-	HyperFlash™	HyperFlash™	Serial NAND	HyperFlash™
8	-	e•MMC	-	-	Serial NAND	Serial NAND	e•MMC	HyperFlash™
9	-	-	Serial NAND	Serial NOR	-	-	SD-Card ⁽⁵⁾	Serial NOR
10	-	-	SLC NAND	Serial NOR	-	-	SD-Card ⁽⁵⁾	HyperFlash™
11	-	Serial NOR	-	-	SLC NAND	SLC NAND	SLC NAND ⁽⁶⁾	HyperFlash™
12	Development boot ⁽²⁾							
13	-	-	e•MMC	Serial NOR	SD-Card ⁽⁵⁾	SD-Card ⁽⁵⁾	SD-Card	Serial NOR
14	-	-	SD-Card	Serial NOR	e•MMC ⁽⁴⁾	e•MMC ⁽⁴⁾	SD-Card	HyperFlash™
15	UART and USB ⁽³⁾							

- Two flash memory config. Indirect Cortex-A35 boot (from Cortex-M33) or used during Cortex-A35 D1Standby exit
- Cannot be override by OTP.
- Wait incoming connection on USART2/6 or UART5/8/9 on default pins and USB high-speed device on USB3DR_DP/DM.
- e•MMC on SDMMC1
- SD-Card on SDMMC2
- Only 8-bit memory is supported as some FMC and OCTOSPI port2 pins are shared (usage of FMC in 16-bit mode is exclusive of usage of OCTOSPI port2).

The default pins used during boot are described in [Table 6](#) .

Note: There are few mutual exclusions with this default settings. SDMMC2 cannot be used with FMC. OCTOSPI Port2 cannot be used with FMC 16 bits. OCTOSPI port2 in 8-bit mode cannot be used with FMC.

Table 6. Minimum set of default pins used during boot ROM phase

Most can be changed using OTP settings. This table is for default OTP settings.

Interface	type		Signal	Pin	IO supply domain
FMC	SLC NAND 8-bits	SLC NAND 16-bits	FMC_NOE	PE15	VDDIO2 ⁽¹⁾
			FMC_RNB	PE13	
			FMC_NWE	PE14	
			FMC_NCE1	PE12	



Interface	type		Signal	Pin	IO supply domain	
FMC	SLC NAND 8-bits	SLC NAND 16-bits	FMC_ALE	PE8	V _{DDIO2} ⁽¹⁾	
			FMC_CLE	PE11		
			FMC_D0	PE9		
			FMC_D1	PE6		
			FMC_D2	PE7		
			FMC_D3	PD15		V _{DD}
			FMC_D4	PD14		
			FMC_D5	PB13		
	FMC_D6		PD12			
	FMC_D7		PB14	V _{DDIO4} ⁽²⁾		
	FMC_D8		PB5			
	FMC_D9		PB6			
	FMC_D10		PB7			
	FMC_D11		PD13	V _{DD}		
	FMC_D12		PB8	V _{DDIO4} ⁽²⁾		
	FMC_D13		PB9			
FMC_D14	PB11					
FMC_D15	PB10					
OCTOSPIM Port1	Serial NOR,	HyperFlash™	OCTOSPIM_P1_CLK	PD0	V _{DDIO3}	
	Serial NAND		OCTOSPIM_P1_NCS1	PD3		
			OCTOSPIM_P1_IO0	PD4		
			OCTOSPIM_P1_IO1	PD5		
			OCTOSPIM_P1_IO2	PD6		
			OCTOSPIM_P1_IO3	PD7		
			OCTOSPIM_P1_IO4	PD8		
			OCTOSPIM_P1_IO5	PD9		
			OCTOSPIM_P1_IO6	PD10		
			OCTOSPIM_P1_IO7	PD11		
			OCTOSPIM_P1_NCLK	PD1		
			OCTOSPIM_P1_DQS	PD2		
OCTOSPIM Port2	Serial NOR,	HyperFlash™	OCTOSPIM_P2_CLK	PB10	V _{DDIO4} ⁽²⁾	
	Serial NAND		OCTOSPIM_P2_NCS1	PB8		
			OCTOSPIM_P2_IO0	PB0		
			OCTOSPIM_P2_IO1	PB1		
			OCTOSPIM_P2_IO2	PB2		
			OCTOSPIM_P2_IO3	PB3		
			OCTOSPIM_P2_IO4	PB4		
			OCTOSPIM_P2_IO5	PB5		
			OCTOSPIM_P2_IO6	PB6		
			OCTOSPIM_P2_IO7	PB7		
	OCTOSPIM_P2_NCLK	PB11				

Interface	type		Signal	Pin	IO supply domain
OCTOSPIM Port2	-	HyperFlash™	OCTOSPIM_P2_DQS	PB9	VDDIO4 ⁽²⁾
SDMMC1	SD-Card or eMMC		SDMMC1_CK	PE3	VDDIO1
			SDMMC1_CMD	PE2	
			SDMMC1_D0 ⁽³⁾	PE4	
SDMMC2	SD-Card or eMMC		SDMMC2_CK	PE14	VDDIO2 ⁽¹⁾
			SDMMC2_CMD	PE15	
			SDMMC2_D0 ⁽³⁾	PE13	
USART2			USART2_RX	PA8	VDD
			USART2_TX	PA4	
UART5			UART5_RX	PB15	VDD
			UART5_TX	PA0	
USART6			USART6_RX	PF4	VDD
			USART6_TX	PF5	
UART8			UART8_RX	PF3	VDD
			UART8_TX	PG3	
UART9			UART9_RX	PB14	VDD
			UART9_TX	PD13	

1. Some FMC and SDMMC2 pins are shared, this means that usage of FMC is exclusive of usage of SDMMC2.
2. Some FMC and OCTOSPIM port2 pins are shared, this means that usage of FMC in 16-bit mode is exclusive of usage of OCTOSPIM Port2.
3. Only used as input by boot ROM

Although low-level boot is done using internal clocks, ST supplies software packages as well as major external interfaces (such as DDR or USB) require a crystal or an external oscillator to be connected on HSE pins.

See the product reference manual for constrains and recommendations regarding connection of HSE pins and supported frequencies.

3.9 Power supply management (PWR)

Note: Features may be limited or absent in some devices or packages (see [Section 2](#) for details).

3.9.1 Power supply scheme

The system requires supply on V_{DD}, V_{DDA18AON}, V_{DDCPU} and V_{DDCORE} to start, and to allow independent supplies for V_{DDGPU}, V_{DDA18ADC}, V_{BAT}, V_{DD33USB}, V_{DD33UCPD}, V_{DDIO2}, V_{DDIO3}, V_{DDIO4}, V_{DDIO1}, and V_{DDQDDR}.

- V_{DD} power supply input for I/Os (1.8 V or 3.3 V typical)
- V_{DDA18AON} power supply input for system analog such as reset, power management, oscillators and OTP
- V_{BAT} optional power supply input for backup domain, and optionally D3 domain when V_{DD} is not present (V_{BAT} mode)
- V_{DDCORE} digital core domain supply, dependent on V_{DD} supply. V_{DD} must be present before V_{DDCORE}.
 - V_{DDCSI}, V_{DDDSI}, V_{DDLVD}, V_{DDCOMBOPHY}, V_{DDCOMBOPHYTX}, and V_{DDPCIECLK} are usually connected to V_{DDCORE}.
- V_{DDCPU} digital CPU domain supply (Cortex-A35), dependent on V_{DD} supply. V_{DD} must be present before V_{DDCPU}.
- V_{DDGPU} digital GPU domain supply, dependent on V_{DD} supply. V_{DD} must be present before V_{DDGPU}.
- V_{DDQDDR} DDR I/O supply

- $V_{DDA18ADC}$ analog power supply input for ADCs and voltage reference buffers, independent from any other supply
- V_{REF+} external reference voltage for ADCs, independent from any other supply
 - reference voltage output when the voltage reference buffer is enabled
 - independent external reference voltage input when the voltage reference buffer is disabled
- V_{SSA} separate analog and reference voltage ground
- $V_{DD33USB}$ supply input for USB HS PHY, independent from any other supply
- $V_{DD33UCPD}$ supply input for USB Type-C CC1 and CC2 pins, independent from any other supply
- V_{DDIO3} supply input, mostly for OCTOSPIM_P1 I/Os, independent from any other supply
- V_{DDIO4} supply input, mostly for OCTOSPIM_P2 I/Os, independent from any other supply
- V_{DDIO2} supply input, mostly for e.MMC I/Os, independent from any other supply
- V_{DDIO1} supply input, mostly for SD Card I/Os, independent from any other supply
- V_{SS} common ground for all supplies except for analog

3.9.2 Power-supply supervisor

The devices have an integrated power-on reset (POR) and power-down reset (PDR) circuitry, coupled with a brownout reset (BOR) circuitry:

- Power-on reset (POR)

The POR supervisor monitors V_{DD} and $V_{DDA18AON}$ power supplies, and compares them to a fixed threshold. The devices remain in reset mode when V_{DD} and $V_{DDA18AON}$ are below this threshold.
- Power-down reset (PDR)

The PDR supervisor monitors V_{DD} and $V_{DDA18AON}$ power supplies. A reset is generated when V_{DD} or $V_{DDA18AON}$ drops below a fixed threshold.
- Brownout reset (BOR)

The BOR supervisor monitors V_{DD} power supply. A 2.7 V BOR thresholds can be enabled through option bytes. A reset is generated when V_{DD} drops below this threshold. The BOR must not be enabled when $V_{DD} = 1.8$ V typ. is used.
- Power-on reset V_{DDCORE} (POR_VDDCORE)

The POR_VDDCORE supervisor monitors V_{DDCORE} power supply, and compares it to a fixed threshold. The V_{DDCORE} domain remains in reset mode when V_{DDCORE} is below this threshold,
- Power-down reset V_{DDCORE} (PDR_VDDCORE)

The PDR_VDDCORE supervisor monitors V_{DDCORE} power supply. A V_{DDCORE} domain reset is generated when V_{DDCORE} drops below a fixed threshold.
- Power-on reset V_{DDCPU} (POR_VDDCPU)

The POR_VDDCPU supervisor monitors V_{DDCPU} power supply, and compares it to a fixed threshold. The V_{DDCPU} domain remains in reset mode when V_{DDCPU} is below this threshold.
- Power-down reset V_{DDCPU} (PDR_VDDCPU)

The PDR_VDDCPU supervisor monitors V_{DDCPU} power supply. A V_{DDCPU} domain reset is generated when V_{DDCPU} drops below a fixed threshold.
- Power-on reset V_{SW} (POR_VSW)

The POR_VSW supervisor monitors V_{SW} power supply, and compares it to a fixed threshold. The V_{SW} domain remains in reset mode when V_{SW} is below this threshold.

The devices also include monitoring which can generate tamper events, interrupt, or wake-up:

- Programmable voltage detector (PVD)

The PVD monitors the PVD_IN pin, and compares it to a fixed threshold. An interrupt or a wake-up can be generated when PVD_IN is below or above the threshold.
- V_{DDCORE} monitoring

Monitors V_{DDCORE} power supply and compares it to a fixed threshold. A tamper event, an interrupt, or a wake-up can be generated when V_{DDCORE} is below or above the threshold.

- **V_{DDCPU} monitoring**
Monitors V_{DDCPU} power supply, and compares it to a configurable threshold. A tamper event, an interrupt, or a wake-up can be generated when V_{DDCPU} is below or above the threshold.
- **V_{DDGPU} monitoring**
Monitors V_{DDGPU} power supply and compares it to a configurable threshold. An interrupt or a wake-up can be generated when V_{DDGPU} is below or above the threshold. A GPU reset is also generated if V_{DDGPU} is below the threshold (VDDGPURDY = 0).
- **Peripheral voltage monitoring**
Monitors independently V_{DDIO2}, V_{DDIO3}, V_{DDIO4}, V_{DDIO1}, V_{DD33UCPD}, V_{DD33USB} and V_{DDA18ADC} power supplies with fixed thresholds. An interrupt or a wake-up can be generated when supplies are below or above the thresholds.

3.10 Low-power strategy

Several low-power modes are available to save power when the Cortex-A35 and/or the Cortex-M33 do not need to execute code (when waiting for an external event). It is up to the user to select the mode that gives the best compromise between low-power consumption, short startup time, and available wake-up sources.

- Slowing down system clocks (see RCC section in the reference manual)
- Controlling individual peripheral clocks (see RCC section in the reference manual)
- Low-power modes:
 - CSleep (CPU clock stopped)
 - CStop (CPU subsystem clock stopped)
 - D1 DStop1 (CPU subsystem clock stopped, normal mode signaled to external regulator)
 - D1 DStandby (domain power down and wake up via reset)
 - Stop1, LP-Stop1, and LPLV-Stop1 (system clock stalled, normal, or low-power mode signaled to external regulator supplying the V_{DDCPU} and the V_{DDCORE})
 - Stop2, LP-Stop2, and LPLV-Stop2 (system clock stalled, powered down mode signaled to external regulator supplying the V_{DDCPU}, and normal or low-power mode signaled to external regulator supplying the V_{DDCORE})
 - Standby1 (system powered down and D3 domain in autonomous mode running with local clocks)
 - Standby2 (system powered down, D3 domain also in power down)

3.11 Resource isolation framework (RIF)

The RIF is a comprehensive set of hardware blocks designed to enforce and manage the isolation of STM32 hardware resources like memory and peripherals.

Within a defined hardware execution compartment (eight are available), privileged, unprivileged, secure, and non-secure application software can assign their own embedded memory buffers, external memory regions, and peripherals thanks to the RIF hardware.

The RIF architectural framework extends to FMC, SYSCFG, IPCC, HSEM, DMA, RTC, TAMP, RCC, PWR, EXTI, or GPIO.

3.12 Reset and clock controller (RCC)

Note: Features may be limited or absent in some devices or packages (see [Section 2](#) for details).

The RCC manages the generation of all clocks, as well as the clock gating and the control of system and peripheral resets. It provides a high flexibility in the choice of clock sources, and allows application of clock ratios to improve the power consumption. In addition, on some communication peripherals that are capable to work with two different clock domains (either a bus interface clock or a kernel peripheral clock), the system frequency can be changed without modifying the peripheral activity rate.

3.12.1 Features

- RIF aware
- Reset part:
 - Generation of local and system reset
 - Bidirectional pad reset (NRST) to reset of external devices, or to reset the device
 - Output pad reset (NRSTC1MS) to reset of external mass-storage devices used by the Cortex-A35
- Clock generation part:
 - Generation and distribution of clocks for the complete system
 - 5 separate PLLs (excluding external Cortex-A35, DDRCTRL, and GPU ones):
 - Integer or fractional mode
 - Spread-spectrum function to reduce the amount of EMI peaks
 - Possibility to change on-the-fly the fractional ratios of the PLLs
 - Smart clock gating for reduction of power dissipation
 - 2 external oscillators:
 - HSE that supports a wide range of crystals: 16 to 48 MHz
 - LSE for 32.768 kHz crystals
 - 3 Internal oscillators:
 - HSI that runs around 64 MHz
 - MSI that runs around 16 MHz or 4 MHz
 - LSI that runs around 32 kHz
 - Buffered clock outputs for external devices
- Two independent interrupt interfaces (one dedicated to Cortex-A35, and one dedicated to Cortex-M33)
- Two independent failure events (HSE and LSE)
- Two independent events to wake up processors (one dedicated to Cortex-A35 and one dedicated to Cortex-M33)

3.12.2 Clock management

The RCC provides a high flexibility to the application in the choice of the clock generators:

- From HSI, high-speed internal oscillator (~ 64 MHz)
- From HSE, high-speed external oscillator (16 to 48 MHz)
- From LSE; low-speed external oscillator (32 kHz)
- From LSI, low-speed internal oscillator (~ 32 kHz)
- From MSI, low-power internal oscillator (~ 4 MHz or ~ 16 MHz)

The RCC offers a good flexibility for the application to select the appropriate clock for CPUs and peripherals. More especially for peripherals that need a specific clock like SPI(I2S), SAI, and SDMMC.

Each clock source can be switched on or off independently to optimize the power consumption.

There are mainly three clock paths:

- Cortex-A35 bus matrix
- Cortex-M33 and its bus matrix
- Peripheral kernel clocks

The Cortex-A35, the GPU, and DDRCTRL clocking are derived locally because of high frequency use. The RCC manages only source clocks for their related local PLLs.

3.12.3 Reset sources

There are several sources able to generate a reset:

- Supply monitors (V_{DD} , V_{DDCORE} , V_{DDCPU} , V_{DDGPU} or V_{SW}) lower than expected values
- Independent watchdog timeout
- D1 domain exit from DStandby state
- Exit from Standby mode
- External signals driving the NRST pin

- Software commands

The coverage (or scope) of the resets differ according to the source initiating the reset, with the following categories:

- Power-on/off resets
- System resets
- Local resets

An application reset can be generated from one of the following sources:

- Reset from the NRST pin
- Reset from low-voltage detection on VDD
- Reset from the independent watchdogs
- Software reset from RCC registers
- Failure on HSE
- RETRAM CRC or ECC error

A system reset can be generated from one of the following sources:

- Reset from application reset
- Reset from low-voltage detection on V_{DDCORE}
- A reset from low-voltage detection on V_{DDCPU}

The NRST reset is activated by:

- Low voltage on V_{DD}
- Failure on HSE
- Reset from the independent watchdogs
- Software reset from RCC registers
- RETRAM CRC or ECC error
- Assertion of NRST by an external source

3.13 Hardware semaphore (HSEM)

The hardware semaphore provides 16 (32-bit) register-based semaphores.

The semaphores can be used to ensure synchronization between different processes that run on a core and between different cores. The HSEM provides a non-blocking mechanism to lock semaphores in an atomic way.

The following functions are provided:

- Locking a semaphore can be done in two ways:
 - 2-step lock: by writing CoreID and ProcessID to the semaphore, followed by a read check.
 - 1-step lock: by reading the CoreID from the semaphore
- Interrupt generation when a semaphore is freed
 - Each semaphore can generate an interrupt on one of the interrupt lines.
- Semaphore clear protection
 - A semaphore is only cleared when CoreID and ProcessID matches.
- Global semaphore clear per CoreID

3.14 Inter-processor communication controller (IPCC1/2)

The IPCC is used to communicate data between two processors. It provides a non-blocking signaling mechanism to post and retrieve communication data in an atomic way (signaling for 16 channels for IPCC1, and four channels for IPCC2).

The IPCC communication data must be in a common memory, which is not part of the IPCC.

3.14.1 Main features

- Status signaling for the four channels
 - Channel occupied/free flag, also used as lock

- Two interrupt lines per processor
 - One for RX channel occupied (communication data posted by sending processor)
 - One for TX channel free (communication data retrieved by receiving processor)
- Interrupt masking per channel
 - Channel occupied mask
 - Channel free mask
- Two channel operation modes
 - Simplex (each channel has its own communication data memory location)
 - Half duplex (a single channel is associated to a bidirectional communication data information memory location)

3.15 General-purpose input/outputs (GPIO)

Each of the GPIO pins can be configured by software as output (push-pull or open-drain, with or without pull-up or pull-down), as input (with or without pull-up or pull-down), or as peripheral alternate function. Some of the GPIO pins are shared with digital or analog alternate functions. All GPIOs are high-current-capable and have speed selection to better manage internal noise, power consumption and electromagnetic emission.

After reset, all GPIOs are in analog mode to reduce power consumption.

The I/O configuration can be locked if needed by following a specific sequence in order to avoid spurious writing to the I/O registers.

Access to each GPIO configuration bits can be restricted to secure-only and/or privileged-only. These configuration bits can also be allocated to a specific CPU.

3.16 Bus-interconnect matrix

For more details on interconnect, see the reference manual (STM32MP23/25xx reference manual (RM0457)).

Figure 2. AXI STNoC multi-frequency network

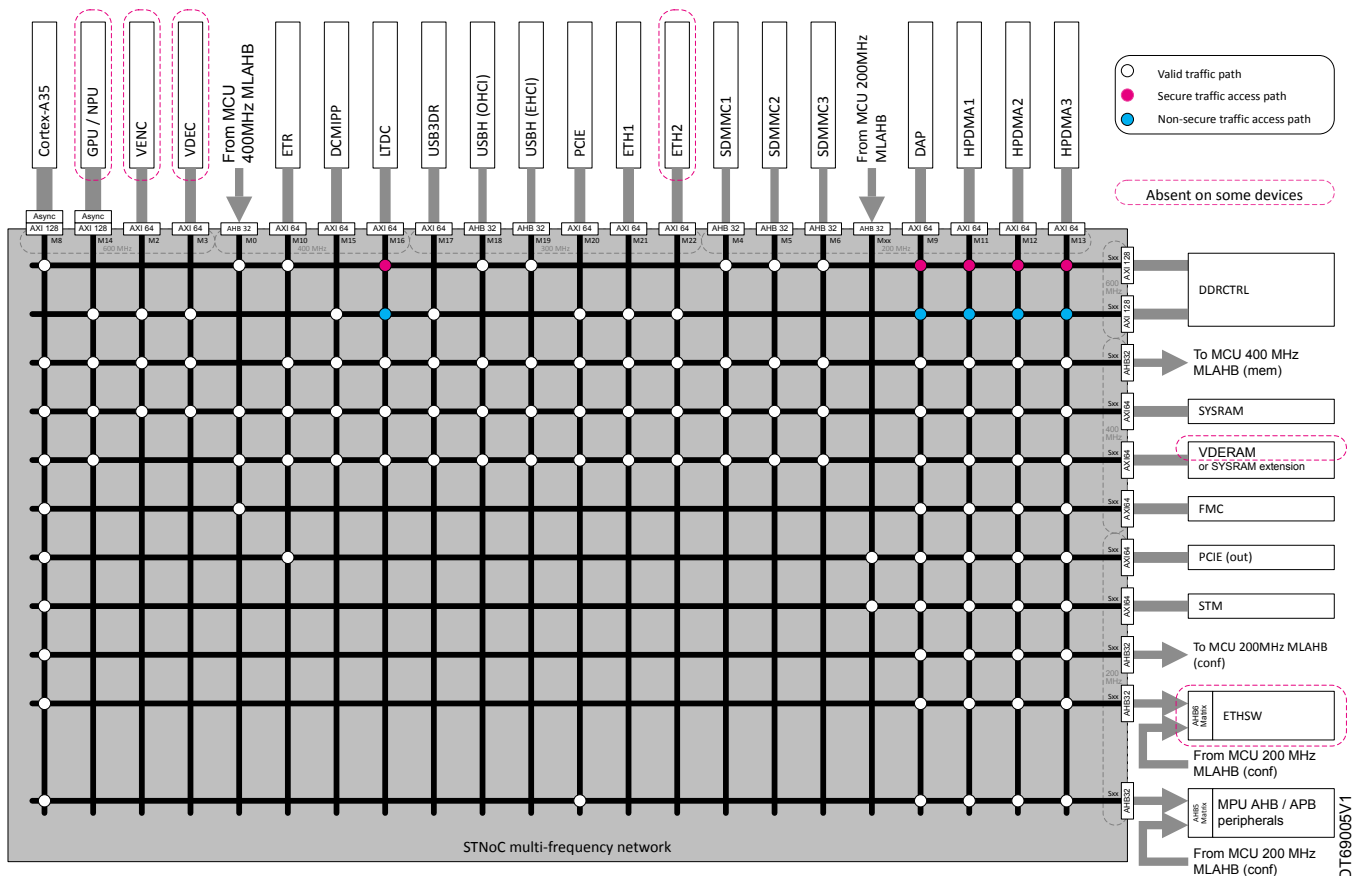
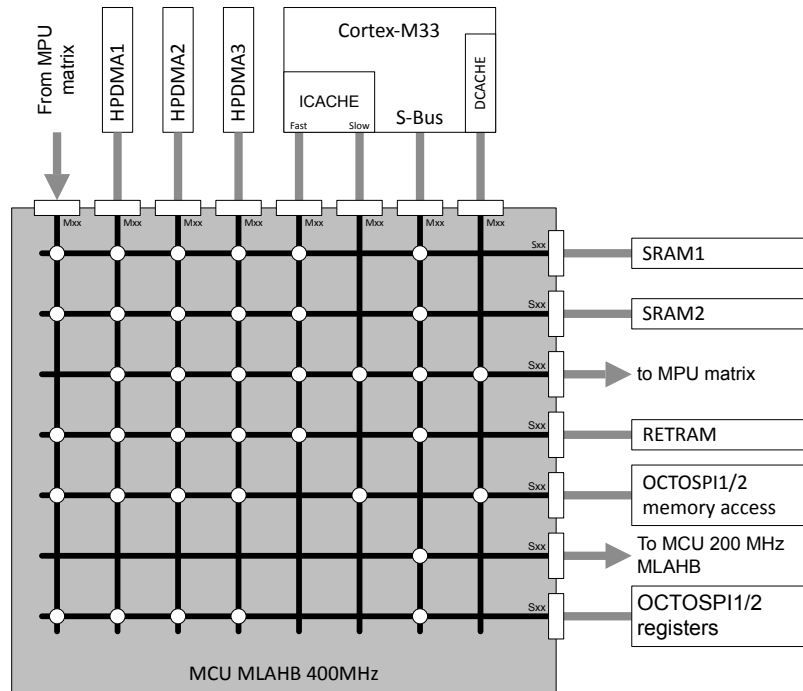
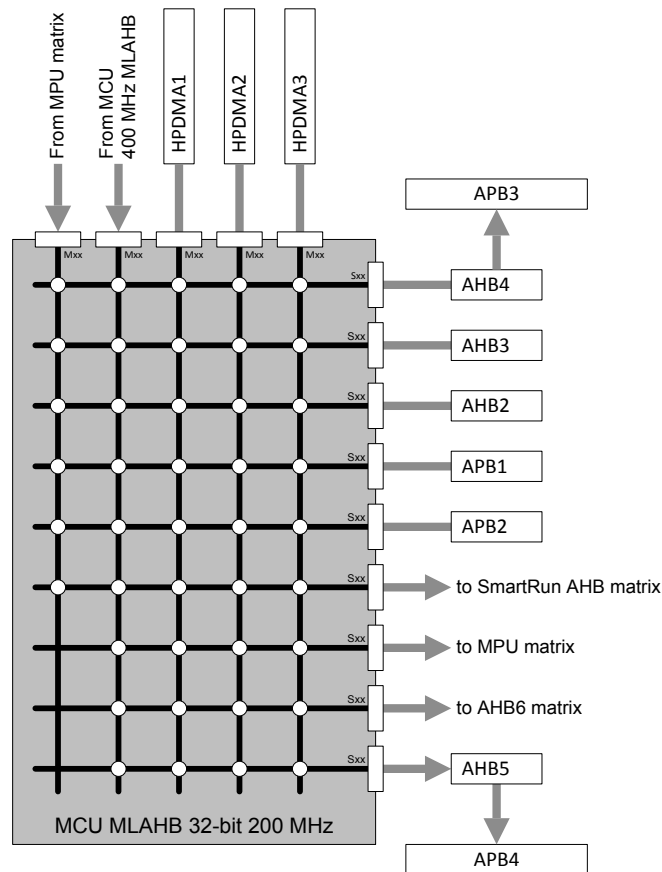


Figure 3. MCU multi-Layer AHB 400 MHz



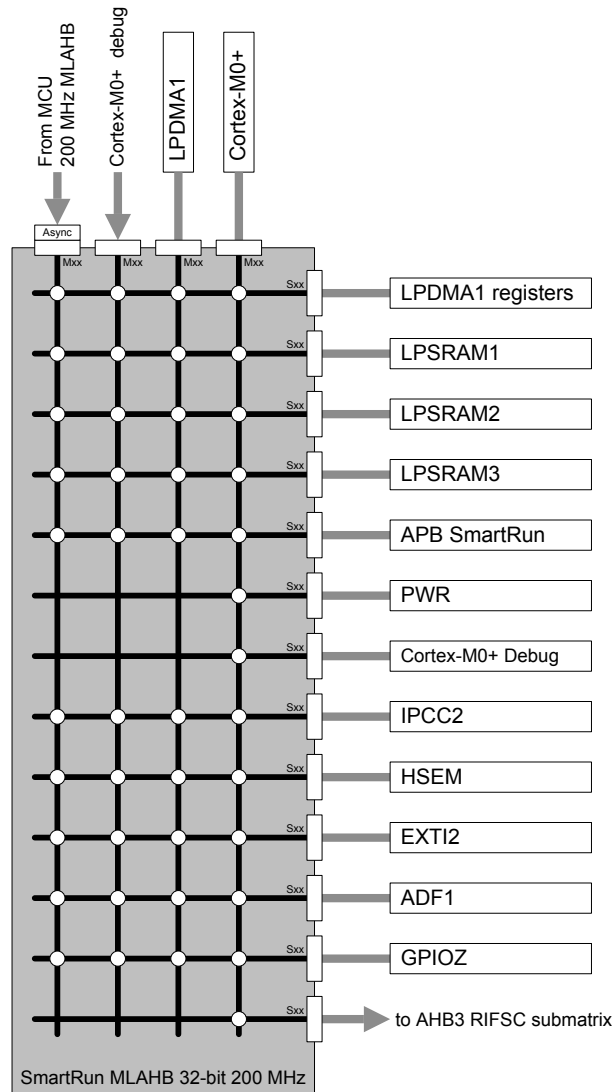
DT69002V1

Figure 4. MCU multi-Layer AHB 200 MHz



DT69003V1

Figure 5. SmartRun multi-Layer AHB matrix



DT69004V3

3.17 High-performance DMA controllers (HPDMA1/2/3)

- AXI master and AHB master
- Memory-mapped data transfers from a source to a destination:
 - Peripheral-to-memory
 - Memory-to-peripheral
 - Memory-to-memory
 - Peripheral-to-peripheral
- Autonomous data transfers during Sleep and Stop modes
- Per channel event generation
- Per channel interrupt generation
- 16 concurrent DMA channels
- Per channel FIFO
- Linked-list support
- TrustZone support
- Privileged/unprivileged support
- Channel isolation support

3.18 Low-power DMA controller (LPDMA1)

- AHB master
- Memory-mapped data transfers from a source to a destination:
 - Peripheral-to-memory
 - Memory-to-peripheral
 - Memory-to-memory
 - Peripheral-to-peripheral
- Autonomous data transfers during Sleep and Stop modes
- Per channel event generation
- Per channel interrupt generation
- 4 concurrent DMA channels
- Linked-list support
- TrustZone support
- Privileged/unprivileged support
- Channel isolation support

3.19 Cortex-M33 nested vectored interrupt controller (NVIC)

The devices embed a NVIC that can support up to 320 maskable interrupt channels, not including the Cortex[®]-M33 interrupt lines.

- 16 programmable priority levels
- Closely coupled NVIC gives low-latency interrupt processing
- Interrupt entry vector table address passed directly to the core
- Early processing of interrupts
- Processing of late arriving, higher-priority interrupts
- Tail chaining
- Processor context automatically saved
- Interrupt entry restored on interrupt exit with no instruction overhead

NVIC registers are banked across secure and non-secure states.

The NVIC provides flexible interrupt management features with minimum interrupt latency.

3.20 Cortex-M0+ nested vectored interrupt controller (NVIC)

The devices embed an NVIC that can support up to 32 maskable interrupt channels, not including the Cortex-M0+ core interrupt lines.

- 4 programmable priority levels
- Closely coupled NVIC that gives low-latency interrupt processing
- Interrupt entry vector table address passed directly to the core
- Early processing of interrupts
- Processing of late arriving, higher-priority interrupts
- Support tail chaining
- Processor context automatically saved
- Interrupt entry restored on interrupt exit with no instruction overhead

This NVIC provides flexible interrupt management features with minimum interrupt latency.

3.21 Extended interrupt and event controller (EXTI1/2)

The EXTI manages individual CPU and system wake-up through configurable and direct event inputs. It provides wake-up requests to the power control, and generates an interrupt request to the CPU NVIC or GIC, and events to the CPU event inputs. For each CPU, an additional event generation block (EVG) is needed to generate the CPU event signal.

The EXTI wake-up requests allow the system to be woken up from Stop mode, and CPUs to be woken up from CStop and CStandby modes.

The interrupt request and event request generation can also be used in Run mode.

The EXTI also includes the EXTI I/Oport selection.

Each interrupt or event can be set as secure to restrict access to secure software only.

EXTI1 is shared between Cortex-A35 and Cortex-M33 while EXTI2 is shared between all cores.

3.22 Cyclic redundancy check calculation unit (CRC)

The CRC calculation unit is used to get a CRC code using a programmable polynomial.

Among other applications, CRC-based techniques are used to verify data transmission or storage integrity. In the scope of the EN/IEC 60335-1 standard, they offer a means of verifying the flash memory integrity.

The CRC calculation unit helps computing a signature of the software during runtime, to be compared with a reference signature generated at link-time and stored at a given memory location.

3.23 Flexible memory controller (FMC)

The FMC main features are the following:

- Interface with static-memory mapped devices including:
 - NOR flash memory
 - Static or pseudo-static random-access memory (SRAM, PSRAM)
 - NAND flash memory with 4-bit/8-bit BCH hardware ECC
- 8-, 16-bit data bus width
- Independent chip-select control for each memory bank
- Independent configuration for each memory bank
- Write FIFO

3.24 Octo-SPI memory interface (OCTOSPI1/2)

The OCTOSPI supports two protocols used by most external serial memories such as serial PSRAMs, serial NAND and serial NOR flash memories, HyperRAMs, and HyperFlash memories:

- Indirect mode: all the operations are performed using the OCTOSPI registers.
- Automatic status-polling mode: the external memory status register is periodically read, and an interrupt can be generated in case of flag setting.
- Memory-mapped mode: the external memory is memory mapped, and is seen by the system as if it was an internal memory supporting both read and write operations.

The OCTOSPI supports multiple protocols:

- XSPI protocol and its various flavors (such as XCELLA, OCTABUS, HyperBus™ as defined by memory providers)

3.25 On-the-fly decoder (OTFDEC1/2)

The OTFDEC is used to decrypt on-the-fly AHB traffic based on the read request address information. Four independent and non-overlapping encrypted regions can be defined in the OTFDEC.

The OTFDEC uses AES-128 in counter mode to achieve the lowest possible latency. Each time the content of an encrypted region is changed, the entire region must be re-encrypted with a different cryptographic context (key or initialization vector). This constraint makes the OTFDEC suitable to decrypt read-only data or code, stored in external NOR flash memory.

3.26 Octo-SPI I/O manager (OCTOSPIM)

The OCTOSPIM is an internal multiplexer:

- Efficient OCTOSPI pin assignment by allowing pin swapping
- Multiplexing two single-, dual-, quad, or octal-SPI interfaces over the same external bus: interfaces (with for example different security attributes) share then the same memory, or access two memories embedded in a multichip package.

3.27 Analog-to-digital converters (ADC1/2/3)

STM32MP25xC/F devices embed three analog-to-digital converters, which resolution can be configured to 12, 10, or 8 bits. Each ADC shares up to 20 channels, performing conversions in single-shot or scan mode. In scan mode, an automatic conversion is performed on a selected group of analog inputs.

Additional logic functions embedded in the ADC interface allow:

- simultaneous ADC1/ADC2 conversion
- interleaved ADC1/ADC2 conversion

The ADC can be served by DMA, thus allows the automatic transfer of ADC converted values to a destination location without any software action.

In addition, an analog watchdog feature can accurately monitor the converted voltage of one, some, or all selected channels. An interrupt is generated when the converted voltage is outside the programmed thresholds.

In order to synchronize A/D conversion, the ADCs can be triggered by timers.

3.28 Digital temperature sensor (DTS)

The DTS is a high-precision low-power junction temperature sensor, based on a configurable controller plus one or multiple embedded temperature sensors. The sensor can operate in two distinct modes to provide temperature readings:

- First mode used to provide calibrated accurate temperature
- Second mode that does not require any calibration

Main features:

- Two programmable (rise or fall) hardware alarms incorporating hysteresis
- Status registers recording the minimum and maximum data values received
- A power-up timer with IRQ to support manual operation
- A calibration sequence requiring no knowledge of die temperature.

3.29 V_{BAT} operation

The V_{SW} domain supplies the RTC, the TAMP, the LSI, the LSE, the IWDG5, the backup registers, the LPSRAM1, the retention RAM, and the backup SRAM.

In order to optimize the battery duration, this power domain is supplied by V_{DD} when available, or by the voltage applied on VBAT pin (when V_{DD} supply is not present). V_{BAT} power is switched when the PDR detects that V_{DD} has dropped below the PDR level.

The voltage on VBAT pin can be provided by an external battery, by a supercapacitor, or directly by V_{DD}. In the latter case, V_{BAT} mode is not functional.

V_{BAT} operation is activated when V_{DD} is not present.

Note: *None of these events (external interrupts, watchdog reset, TAMP event, or RTC alarm/events) can directly restore the V_{DD} supply, and force the device out of the V_{BAT} operation. Nevertheless, watchdog reset (taken as a tamper event), TAMP events, and RTC alarm/events can be used to generate a signal to an external circuitry (typically a PMIC) that can restore the V_{DD} supply.*

3.30 Voltage reference buffer (VREFBUF)

STM32MP25xC/F devices embed a voltage reference buffer which can be used as voltage reference for ADC, and as voltage reference for external components through VREF+ pin.

An external voltage reference must be provided through the VREF+ pin when the internal voltage reference buffer is off.

3.31 Multifunction digital filter (MDF1)

The MDF is a high-performance module dedicated to the connection of external sigma-delta ($\Sigma\Delta$) modulators.

3.31.1 Features

- 8 serial digital inputs:
 - Configurable SPI interface to connect various digital sensors
 - Configurable Manchester coded interface support
 - Compatible with PDM interface to support digital microphones
- 2 common clocks input/output for $\Sigma\Delta$ modulator(s)
- Flexible matrix (BSMX) for connection between filters and digital inputs
- 2 inputs for connecting internal ADCs
- 8 flexible digital filter paths, including
 - A Configurable CIC filter:
 - Can be split into 2 CIC filters: high resolution filter, and out-of limit detector
 - Can be configured in Sinc⁴ filter
 - Can be configured in Sinc⁵ filter
 - Adjustable decimation ratio
 - A reshape filter to improve the out-of band rejection and in-band ripple
 - A high pass filter to cancel the DC offset
 - An offset error cancellation
 - Gain control
 - Saturation blocks
 - An out-of limit detector
- Short-circuit detector,
- Clock absence detector
- 16 or 24-bit signed output data resolution,
- Continuous or single conversion,
- Possibility to delay independently each bitstream
- Various trigger possibilities
- Break generation on out-of limit or short-circuit detector events
- Autonomous functionality in Stop modes
- DMA can be used to read the conversion data
- Interrupts services

Targeted applications:

- Audio: speech capture
- Motor control
- Metering

3.32 Audio digital filter (ADF1)

The audio digital filter (ADF) is a high-performance module dedicated to the connection of external $\Sigma\Delta$ modulators.

3.32.1 Features

- 1 serial digital input:
 - configurable SPI interface to connect various digital sensors
 - configurable Manchester coded interface support
 - compatible with PDM interface to support digital microphones
- 2 common clocks input/output for $\Sigma\Delta$ modulators

- 1 flexible digital filter paths, including:
 - A MCIC filter configurable in Sinc4 or Sinc5 filter with an adjustable decimation ratio
 - A reshape filter to improve the out-of-band rejection and in-band ripple
 - A high pass filter to cancel the DC offset
 - Gain control
 - Saturation blocks
- Clock absence detector
- Sound activity detector
- 4-bit signed output data resolution
- Continuous or single conversion
- Possibility to delay the selected bitstream
- One trigger input
- Autonomous functionality in Stop modes
- DMA can be used to read the conversion data
- Interrupts services

Targeted applications:

- Audio: speech capture
- Metering

3.33 Digital camera interface (DCMI)

The devices embed a camera interface that can connect with camera modules and CMOS sensors through an 8- to 14-bit parallel interface, to receive video data. The camera interface can support a resolution of 1 Mpixel at 15 fps.

- Programmable polarity for the input pixel clock and synchronization signals
- Parallel data communication can be 8-, 10-, 12-, or 14-bit
- 8-bit progressive video monochrome or RawBayer format, YCbCr 4:2:2 progressive video, RGB 565 progressive video or compressed data (like JPEG)
- Continuous mode or snapshot (a single frame) mode
- Capability to automatically crop the image

3.34 Parallel synchronous slave interface (PSSI)

The PSSI and the DCMI use the same circuitry. These two peripherals cannot be used at the same time: when using the PSSI, DCMI registers cannot be accessed, and vice versa.

The PSSI and the DCMI also share the same alternate functions and interrupt vector.

The PSSI is a generic synchronous 8/16-bit parallel data input/output slave interface. It enables the transmitter to send a data valid signal. This signal indicates when the data is valid, and the receiver to output a flow control signal that indicates when it is ready to sample the data.

Main features:

- Slave mode operation
- 8-bit or 16-bit parallel data input or output
- 8-word (32-byte) FIFO
- Data enable (PSSI_DE) alternate function input, and Ready (PSSI_RDY) alternate function output

3.35 Digital camera interface with pixel processing (DCMIPP)

- Parallel input interface:
 - Up to 16 bits at 120 MHz, up to 2 Mpixel sensors at 30 fps
 - Pixel format: RGB565, 888, YUV422, RawBayer/Mono 8/10/12/14

- When connected to CSI-2 input interface:
 - Up to 200 Mpixel/s, up to 5 Mpixel sensors at 30 fps, supports MIPI CSI-2 v1.3
 - Pixel format: all MIPI CSI-2 v1.3: RGB565, 888, YUV422, RawBayer
 - Features: interleaved packets, 4 virtual channels
- Flow selection and frame control
- Byte-to-pixel conversion
- Statistic removal
- Bad pixel removal (automatic detection and correction of bad pixels from sensor array)
- Decimation of one pixel every 1/2/4/8
- Integrated image processing used to connect low-cost camera module without any embedded ISP
 - Color conversion to adapt to the sensor and tune the Illumination
 - Contrast enhancement
 - RawBayer to RGB conversion (demosaicing)
 - Exposure control
 - Statistics extraction
- Decimation on pipe 0 (pipe dump)
- Multiple pipelines for parallel applications:
 - Pipe0 (for data dump), for a direct dump without processing
 - Pipe1 (for main use), with downsize, color conversion, YUV-planar
 - Pipe2 (for ancillary use), with downsize, color conversion, YUV-planar
- Downsize
 - Box-filtering, with any decimal ratio, up to 8x8, on pipe1 and pipe2
- Gamma conversion
- RGB to YUV color conversion
- Output pixel format:
 - Pipe0: any data as is, Y/Rb: 8/10/12/14 statistics, bitstreams
 - Pipe2: RGB888, RGB565, YUV422-1, Y8, ARGB and RGBA (co-planar only)
 - Pipe1: Pipe2 formats + YUV422-2, YUV420-2, YUV420-3 (multi-planar possible)
- AXI master

3.36 Camera serial interface (CSI)

The CSI provides an interface between the system and the PHY, allowing communication with a CSI-2 compliant camera.

- Compliant with MIPI Alliance standard v1.3
- Up to two data lanes, up to 2.5 Gbit/s per lane in high-speed (HS) mode and 10 Mbit/s in low-power (LP) mode
- Data transmission in HS and LP modes
- Escape mode (ESC), and ultra-low-power state mode (ULPS)
- CSI-2 virtual channel and data type filtering supporting interleaved data
 - Up to 4 virtual channels
 - Support data formats specified in the MIPI Alliance standard for CSI-2 v1.3 (18 data formats, plus the user defined one, up to 7 independent data types)
- Internal connection with the DCMIPP

3.37 LCD-TFT display controller (LTDC)

The LTDC handles display composition and rotation, with the following main features:

- 3 display layers with dedicated FIFO
- Input pixel flexible format, including YUV420 full-planar
- Secure layer: protected access to buffer and configuration registers
- Output rotation: 90 and 270 degrees

- Horizontal and vertical mirror
- Color lookup-table, color keying, gamma, and dithering on output

LTDC parallel interface:

- Provides a 24-bit parallel digital RGB, and delivers all signals to interface directly to a broad range of LCD and TFT panels.
- Up to 150 Mpixel/s, which correspond up to FHD (1920 × 1080) at 60 fps resolution with HDMI blankings
- Output pixel formats: RGB888, RGB666, RGB565, YUV422-16 bits

LTDC DSI interface:

- The LTDC provide pixels to the display serial interface (DSI).

LTDC LVDS interface:

- The LTDC provide pixels to the LVDS display interface (LVDS).

3.38 Display serial interface (DSI)

Note: Features may be limited or absent in some devices or packages (see [Section 2: Description for details](#)).

The DSI is part of a group of communication protocols defined by the MIPI Alliance. The MIPI DSI host controller is a digital core that implements all protocol functions defined in the MIPI DSI specification.

It provides an interface between the system and the MIPI D-PHY that allows the communication with a DSI-compliant display.

- Compliant with MIPI Alliance standards
- Interface with MIPI D-PHY
- Supports all commands defined in the MIPI Alliance specification for DCS
- Bidirectional communication and escape mode support through data lane 0
- Supports non-continuous clock in D-PHY clock lane for additional power saving
- Supports ultra-low-power mode with PLL disabled
- ECC and checksum capabilities
- Support for end of transmission packet (EoTp)
- Fault recovery schemes
- Configurable selection of system interfaces:
 - AMBA APB for control and optional support for generic and DCS commands
 - Video mode interface through LTDC
 - Adapted command mode interface through LTDC
 - Independently programmable virtual channel ID in video mode, adapted command mode and APB slave
- Video mode interface features:
 - LTDC interface color coding mappings into 16, 18 and 24-bit interface
 - Programmable polarity of all LTDC interface signals
- Adapted interface features:
 - Support for sending large amounts of data through the memory_write_start (WMS) and memory_write_continue (WMC) DCS commands
 - LTDC interface color coding mappings into 16, 18 and 24-bit interface
- Video mode pattern generator
- Up to 4 × data lanes, up to 2.5 Gbit/s each
- Up to QXGA (2048 × 1536) at 60 fps

3.39 LVDS display interface (LVDS)

Note: Features may be limited or absent in some devices or packages (see [Section 2 for details](#)).

The LVDS supports the following high-level features:

- FPD-Link-I and OpenLDI (v0.95) protocols
- Single-link or dual-link operation
- Single-display or double-display (with the same content duplicated on both)
- Flexible bit-mapping, including JEIDA and VESA
- RGB888 or RGB666 output
- Up to 2 links of 4 data lanes, up to 1.1 Gbit/s per lane
 - FPD bitrate: 784 Mbit/s per lane (112 Mpixel/s per link, 224 Mpixel/s if dual Link)
 - OpenLDI bitrate: 1100 Mbit/s per lane (157 Mpixel/s per link, 314 Mpixel/s if dual link)
- Up to QXGA (2048 × 1536) at 60 fps with dual link
- Up to WSXGA+ (1680 × 1050) at 60 fps with single FPD link (1080p60 supported with OpenLDI)

3.40 Video encoder (VENC)

Note: Features may be limited or absent in some devices or packages (see [Section 2](#) for details).

- Video encode
 - H264 (MPEG4_Part10/AVC, baseline/main/high up to 5.2), VP8
 - Up to 1080p60 for H264/VP8 (performance shared with the VDEC)
- Still-image encode
 - JPEG (baseline interleaved)
 - Up to 500 Mpixel/s for JPEG (performance shared with the VDEC)
- VDERAM
 - 128 Kbytes
 - Hardware handshake between VENC and VDEC
 - Can be statically assigned to CPU as additional system RAM by SYSCFG setting

3.41 Video decoder (VDEC)

Note: Features may be limited or absent in some devices or packages (see [Section 2](#) for details).

- Video decode
 - H264 (MPEG4_Part10/AVC, baseline/main/high up to 5.2), VP8
 - Up to 1080p60 for H264/VP8 (performance shared with the VENC)
- Still-image decode
 - JPEG (baseline interleaved).
 - Up to 500 Mpixel/s for JPEG (performance shared with the VENC)
- VDERAM
 - 128 Kbytes
 - Hardware handshake between VENC and VDEC
 - Can be statically assigned to CPU as additional system RAM by SYSCFG setting

3.42 True random number generator (RNG)

All devices embed an RNG that delivers 32-bit random numbers generated by an integrated analog circuit.

3.43 Hash processor (HASH)

The HASH is a fully compliant implementation of the secure hash algorithm (SHA-1, SHA-2 family, SHA-3 family), and the HMAC (keyed-hash message authentication code) algorithm. The HMAC is suitable for applications that require a message authentication.

The HASH computes FIPS (federal information processing Standards) approved digests of 160-, 224-, 256-, 384-, and 512-bit length, for messages of any length:

- less than 2^{64} bits (for SHA-1, SHA-224, and SHA-256)
- less than 2^{128} bits (for SHA-384, SHA-512)

3.44 Cryptographic processor (CRYP1/2)

The devices embed two cryptographic processor that can be used both to encrypt and decrypt data using the DES, triple-DES, or AES algorithms. The implementation is fully compliant with the following standards:

- DES and TDES are defined by FIPS (PUB 46-3, Oct 1999), and by the American National Standards Institute (ANSI X9.52)
- AES is defined by FIPS (FIPS PUB 197, Nov 2001)

Multiple key sizes and chaining modes are supported:

- DES/TDES chaining modes ECB and CBC, supporting standard 56-bit keys with 8-bit parity per key
- AES chaining modes ECB, CBC, CTR, GCM, GMAC, CCM for key sizes of 128, 192, or 256 bits

The CRYP in AES mode supports key sharing from SAES co-processor. It is a 32-bit AHB peripheral with DMA support for incoming and outgoing data.

The CRYP also includes input and output FIFOs (each 8 words deep) for better performance.

3.45 Secure AES (SAES)

The SAES encrypts or decrypts data, using an algorithm and implementation fully compliant with the AES standard. It implements embedded protection against differential power analysis (DPA) and related side-channel attacks.

The SAES supports CTR, GCM, GMAC, CCM, ECB, and CBC chaining modes for key sizes of 128 or 256 bits, as well as special modes such as hardware secret key encryption/decryption (wrapped-key mode) and key sharing with faster CRYP peripheral (shared-key mode).

The SAES can load directly two hardware master keys that are not directly accessible by any software. These keys can be used to encrypt random keys that are usable only on this device, and are not directly accessible by software.

The SAES supports DMA single transfers for incoming and outgoing data (two DMA channels required). It is connected by hardware to the RNG and to the CRYP1/2.

The SAES is an AMBA AHB slave peripheral.

3.46 Public key accelerator (PKA)

The PKA is intended for the computation of cryptographic public key primitives, specifically those related to RSA, Diffie-Hellmann, or ECC (elliptic curve cryptography) over GF(p) (Galois fields). To achieve high performance at a reasonable cost, these operations are executed in the Montgomery domain.

For a given operation, all needed computations are performed within the accelerator: no further hardware/software elaboration is needed to process inputs or outputs.

3.47 Boot and security and OTP control (BSEC)

The BSEC is used to control an OTP (one-time programmable) fuse box, used for embedded non-volatile storage for device configuration and security parameters.

Embedded non-volatile secrets are stored in the BSEC upper area that is only accessible while BSEC is operating in a closed state. In open state those non-volatile secrets are permanently hidden.

The BSEC use is reserved to trusted domain CPU, and boot CPU following a BSEC reset (cold/warm or hot).

3.48 Timers and watchdogs

The devices include three advanced-control timers, twelve general-purpose timers, two basic timers, five low-power timers, seven watchdogs, two SysTick timers in Cortex-M33, one SysTick timer in Cortex-M0+, and four system timers in each Cortex-A35.

All timer counters can be frozen in debug mode.

The table below compares features of the different timers.

Table 7. Timer feature comparison

Timer type	Timer	Counter resolution	Counter type	Prescaler factor	DMA request generation	Capture/compare channels	Complementary output	Max interface clock (MHz)	Max ⁽¹⁾ timer clock (MHz)
Advanced-control	TIM1, TIM8, TIM20	16-bit	Up, down, up/down	Any integer between 1 and 65536	Yes	6	4	200	200
General purpose	TIM2, TIM3, TIM4, TIM5	32-bit	Up, down, up/down	Any integer between 1 and 65536	Yes	4	No	200	200
	TIM10, TIM11, TIM13, TIM14	16-bit	Up	Any integer between 1 and 65536	No	1	No	200	200
	TIM12	16-bit	Up	Any integer between 1 and 65536	No	2	No	200	200
	TIM15	16-bit	Up	Any integer between 1 and 65536	Yes	2	1	200	200
	TIM16, TIM17	16-bit	Up	Any integer between 1 and 65536	Yes	1	1	200	200
	Basic	TIM6, TIM7	16-bit	Up	Any integer between 1 and 65536	Yes	0	No	200
Low-power	LPTIM1, LPTIM2	16-bit	Up, Up/down	1, 2, 4, 8, 16, 32, 64, 128	Yes	2 ⁽²⁾	No	200	100
	LPTIM3, LPTIM4	16-bit	Up	1, 2, 4, 8, 16, 32, 64, 128	Yes	2 ⁽²⁾	No	200 ⁽³⁾	100 ⁽⁴⁾
	LPTIM5	16-bit	Up	1, 2, 4, 8, 16, 32, 64, 128	No	0	No	200 ⁽³⁾	100

1. The maximum timer clock depends on RCC settings.
2. only compare channel.
3. 16 MHz bus clock when supplied by the backup regulator (LP-Stop1/2, LPLV-Stop1/2 or Standby1).
4. 32 kHz timer clock in autonomous mode (Stop1/2, LP-Stop1/2, LPLV-Stop1/2 or Standby1).

3.48.1 Advanced-control timers (TIM1/8/20)

The advanced-control timers can be seen as three-phase PWM generators multiplexed on six channels. They have complementary PWM outputs with programmable inserted dead times. They can also be considered as complete general-purpose timers. Their four independent channels can be used for:

- input capture
- output compare
- PWM generation (edge- or center-aligned modes)
- one-pulse mode output

If configured as standard 16-bit timers, the advanced-control timers have the same features as the general-purpose timers. If configured as 16-bit PWM generators, they have full modulation capability (0 to 100%). The advanced-control timers can work together with general-purpose timers via the timer link feature for synchronization or event chaining.

TIM1, TIM8 and TIM20 support independent DMA request generation.

3.48.2 General-purpose timers (TIM2/3/4/5/10/11/12/13/14/15/16/17)

There are twelve synchronizable general-purpose timers embedded in STM32MP25xC/F devices (see Table 7 for differences).

- **TIM2, TIM3, TIM4, TIM5**

These timers are based on a 32-bit auto-reload up/downcounter and a 16-bit prescaler. They feature four independent channels for input capture/output compare, PWM, or one-pulse mode output. This gives up to 16 input capture/output compare/PWMs on the largest packages.

These timers can work together, or with the other general-purpose timers and the advanced-control timers TIM1, TIM8 and TIM20, via the timer link feature for synchronization or event chaining.

Any of these general-purpose timers can be used to generate PWM outputs.

TIM2, TIM3, TIM4, TIM5 have independent DMA request generation. They can handle quadrature (incremental) encoder signals, and the digital outputs from one to four hall-effect sensors.

- **TIM10, TIM11, TIM12, TIM13, TIM14, TIM15, TIM16, TIM17**

These timers are based on a 16-bit auto-reload upcounter and a 16-bit prescaler. TIM10, TIM11, TIM13, TIM14, TIM16 and TIM17 feature one independent channel, whereas TIM12 and TIM15 have two independent channels for input capture/output compare, PWM, or one-pulse mode output. They can be synchronized with the TIM2, TIM3, TIM4, TIM5 full-featured general-purpose timers or used as simple timebases.

3.48.3 Basic timers (TIM6/TIM7)

These timers are used as a generic 16-bit time base, and support independent DMA request generation.

3.48.4 Low-power timer (LPTIM1/2/3/4/5)

These low-power timers have an independent clock and run in Stop mode if they are clocked by LSE, LSI, or an external clock. They can wake up the device from Stop mode.

- 16-bit up counter with 16-bit autoreload register
- 16-bit compare register
- Configurable output: pulse, PWM
- Continuous/one-shot mode
- Selectable software/hardware input trigger
- Selectable clock source:
 - Internal clock source: LSE, LSI, HSI (RCC flexgen output)
 - External clock source over LPTIM input (working even with no internal clock source running, used by the pulse counter application)
- Programmable digital glitch filter
- Encoder mode (LPTIM1/2)

3.48.5 Independent watchdog (IWDG1/2/3/4/5)

The IWDG is based on a 12-bit downcounter and 8-bit prescaler. It is clocked from an independent 32 kHz internal RC (LSI). As it operates independently from the main clock, the IWDG can operate in Stop and Standby modes. It can be used either as a watchdog to reset the device when a problem occurs, or as a free-running timer for application timeout management. It is hardware- or software-configurable through the option bytes.

3.48.6 System window watchdog (WWDG1/2)

The WWDG is based on a 7-bit downcounter that can be set as free-running. It can be used as a watchdog to reset the device when a problem occurs. It is clocked from the APB clock. It has an early warning interrupt capability and the counter can be frozen in debug mode.

3.48.7 SysTick timer

This timer is embedded in the Cortex-M33 (two instances, secure and non-Secure), and in the Cortex-M0+ core. It is dedicated to real-time operating systems, but can also be used as standard downcounter.

- 24-bit downcounter
- Autoreload capability
- Maskable system interrupt generation when the counter reaches 0

- Programmable clock source

3.48.8 Cortex-A35 generic timers (CNT)

The Cortex-A35 generic timers are fed by value from system timing generation (STGEN). The Cortex-A35 processor provides a set of four timers for each processor:

- Physical timer for use in secure and non-secure modes. The registers for the physical timer are banked to provide secure and non-secure copies.
- Virtual timer for use in non-secure mode
- Physical timer for use in hypervisor mode

These generic timers are not memory-mapped peripherals: they are accessible only by specific Cortex-A35 coprocessor instructions (cp15).

3.49 System timer generation (STGEN)

The STGEN generates a time-count value that provides a consistent view of time for all Cortex-A35 generic timers.

- 64-bit wide to avoid roll-over issues
- Starts from zero or a programmable value
- control APB interface (STGENC) that enables the timer to be saved and restored across power-down events
- Read-only APB interface (STGENR) that enables the timer value to be read by nonsecure software and debug tools
- Timer value incrementing that can be stopped during system debug

3.50 Real-time clock (RTC)

The RTC provides an automatic wake-up to manage all low-power modes. It is an independent BCD timer/counter that provides a time-of-day clock/calendar with programmable alarm interrupts.

The RTC includes also a periodic programmable wake-up flag with interrupt capability.

After backup domain reset, all RTC registers are protected against possible parasitic write accesses.

As long as the supply voltage remains in the operating range, the RTC never stops, regardless of the device status (Run mode, low-power mode, or under reset).

- Calendar with subseconds, seconds, minutes, hours (12 or 24 format), day (day of week), date (day of month), month, and year
- Daylight saving compensation programmable by software
- Programmable alarm with interrupt function. The alarm can be triggered by any combination of the calendar fields.
- Automatic wake-up unit that generates a periodic flag that triggers an automatic wake-up interrupt
- Reference clock detection: a more precise second source clock (50 or 60 Hz) can be used to enhance the calendar precision.
- Accurate synchronization with an external clock using the subsecond shift feature
- Digital calibration circuit (periodic counter correction): 0.95 ppm accuracy, obtained in a calibration window of several seconds
- Timestamp function for event saving
- Maskable interrupts/events:
 - Alarm A
 - Alarm B
 - Wake-up interrupt
 - Timestamp
- TrustZone support:
 - RTC fully securable
 - Alarm A, alarm B, wake-up timer and timestamp individual secure or non-secure configuration

3.51 Tamper and backup registers (TAMP)

The 128 x 32-bit backup registers are retained in all low-power modes, and in V_{BAT} mode. They can be used to store sensitive data as their content is protected by a tamper detection circuit. 16 tamper pins (eight input and eight outputs), and 14 internal tampers are available for anti-tamper detection.

The eight external tamper pins can be configured for edge detection, edge and level, level detection with filtering, or up to eight active tamper which increases the security level by auto-checking that tamper pins are not externally opened or shorted.

- 128 backup registers (TAMP_BKPxR) implemented in the RTC domain that remains powered-on by V_{BAT} when the V_{DD} power is switched off
- 8 external tamper detection events:
 - Each external event can be configured to be active or passive.
 - External passive tampers with configurable filter and internal pull-up
- 14 internal tamper events
- Any tamper detection can generate an RTC timestamp event.
- Any tamper detection erases backup registers.
- TrustZone support:
 - Tamper secure or non-secure configuration
 - Backup registers configuration in three configurable-size areas:
 - 1 read/write secure area
 - 1 write secure/read non-secure area
 - 1 read/write non-secure area
- Monotonic counter

3.52 Inter-integrated circuit interface (I2C1/2/3/4/5/6/7/8)

STM32MP25xC/F devices embed eight I²C interfaces that handle communications between the device and the serial I²C bus. Each I²C interface controls all I²C bus-specific sequencing, protocol, arbitration, and timing.

The I²C peripheral supports:

- I²C-bus specification and user manual rev. 5 compatibility:
 - Controller and target modes, multi-controller capability
 - Standard-mode (Sm), with a bitrate up to 100 Kbit/s
 - Fast-mode (Fm), with a bitrate up to 400 Kbit/s
 - Fast-mode Plus (Fm+), with a bitrate up to 1 Mbit/s and 20 mA output drive I/Os
 - 7-bit and 10-bit addressing mode, multiple 7-bit target addresses
 - Programmable setup and hold times
 - Optional clock stretching
- System management bus (SMBus) specification rev 2.0 compatibility:
 - Hardware PEC (packet error checking) generation and verification with ACK control
 - Address resolution protocol (ARP) support
 - SMBus alert
- Power system management protocol (PMBus) specification rev 1.1 compatibility
- Independent clock: a choice of independent clock sources that allows the I²C communication speed to be independent from the PCLK reprogramming
- Wake-up from Stop mode on address match
- Programmable analog and digital noise filters
- 1-byte buffer with DMA capability

3.53 Improved inter-integrated circuit (I3C1/2/3/4)

STM32MP25xC/F devices embed four I³C interfaces, that handle communication between the device and others that are all connected on an I³C bus, like sensors and host processors.

The I3C peripheral implements all required features of the MIPI I3C specification v1.1. It can control all I3C bus-specific sequencing, protocol, arbitration and timing, and can be acting as controller, or as target.

The I3C peripheral, acting as controller, improves the I2C interface features still preserving some backward compatibility: it allows an I2C target to operate on an I3C bus in legacy I2C fast-mode (Fm) or legacy I2C fast-mode plus (Fm+), provided that this latter does not perform clock stretching.

The I3C peripheral can be used with DMA in order to off-load the CPU.

- MIPI I3C specification v1.1 (see I3C section in the reference manual), as:
 - I3C primary controller
 - I3C secondary controller
 - I3C target
- Registers configuration from the host application via the APB slave port
- Queued transfers:
 - Transmit FIFO (TX-FIFO) for data bytes/words to be transmitted on I3C bus
 - Receive FIFO (RX-FIFO) for received data bytes/words on I3C bus
 - Control FIFO (C-FIFO) for control words to be sent on I3C bus, when controller
 - Status FIFO (S-FIFO) for status words as received on I3C bus, when controller
 - For each FIFO, optional DMA mode with a dedicated DMA channel
- Messages:
 - Legacy I2C read/write messages to legacy I2C targets in Fm/Fm+
 - I3C SDR read/write private messages
 - I3C SDR (write) broadcast CCC messages
 - I3C SDR read/write direct CCC messages
- Frame-level management, when controller:
 - Software-triggered or hardware-triggered transfer
 - Optional C-FIFO and TX-FIFO preload
 - Multiple messages encapsulation
 - Optional arbitrable header
- Programmable bus timing, when controller
 - SCL high and low period
 - SDA hold time
 - Bus free (minimum) time (between a stop and a start)
 - Bus available/idle condition time, maximum clock stall time
 - Minimum clock stall time during 9th bit
- Target-initiated requests management:
 - In-band interrupts, with programmable IBI payload (up to 4 bytes)
 - Bus control request, with recovery flow support and hand-off delay
 - Hot-join mechanism
 - Pending read notification
- Bus error management
 - M0, M1, M2, and M3, when controller
 - S0, S1, S2, S3, S4, S5, and S6 when target
 - bus control switch error and recovery
 - target reset
- Separately programmed event/flag generation and management
 - Separated identification and clear control
 - Host application notification via event/flag polling, and/or via interrupt with a programmable enable
 - Error type identification
- Autonomous mode and transfers during Sleep and Stop modes via DMA

- Autonomous wake-up on
 - Target request acknowledge, when controller
 - Missed start detection, when target
 - Reset pattern detection, when target

3.54 Universal synchronous asynchronous receiver transmitter (USART1/2/3/6, UART4/5/7/8/9)

STM32MP25xC/F devices embed four USART and five UART (see [Table 8. USART/UART features](#) for feature summary).

These interfaces provide asynchronous communication, IrDA SIR ENDEC support, multiprocessor communication mode, single-wire half-duplex communication mode, and have LIN master/slave capability. They provide hardware management of CTS and RTS signals, and RS485 driver enable. They can communicate at speeds of up to 12 Mbit/s.

The USARTs embed a 64-byte transmit FIFO (TXFIFO) and a 64-byte receive FIFO (RXFIFO). The FIFO mode is enabled by software, and is disabled by default.

All USARTs provide smartcard mode (ISO 7816 compliant) and SPI-like communication capability. They have a clock domain independent from the CPU clock: this allows the USARTx to wake up the device from Stop mode using baud rates up to 200 Kbaud. Wake-up events from Stop mode are programmable and can be one of the following:

- Start bit detection
- Any received data frame
- A specific programmed data frame

All USARTs can be served by the DMA controller.

Table 8. USART/UART features

Modes/features ⁽¹⁾	USART1/2/3/6	UART4/5/7/8/9
Hardware flow control for modem	X	X
Continuous communication using DMA	X	X
Multiprocessor communication	X	X
Synchronous SPI mode (master/slave)	X	-
Smartcard mode	X	-
Single-wire half-duplex communication	X	X
IrDA SIR ENDEC block	X	X
LIN mode	X	X
Dual clock domain and wake-up from low-power mode	X	X
Receiver timeout interrupt	X	X
Modbus communication	X	X
Auto baud rate detection	X	X
Driver enable	X	X
Data length	7, 8, and 9 bits	

1. X = supported.

3.55 Low-power universal asynchronous receiver transmitter (LPUART1)

The devices embed one LPUART that supports asynchronous serial communication with minimum power consumption. The LPUART supports half-duplex single-wire communication and modem operations (CTS/RTS). It allows multiprocessor communication.

The LPUART embeds a transmit FIFO (TXFIFO) and a receive FIFO (RXFIFO). The FIFO mode is enabled by software, and is disabled by default.

The LPUART has a clock domain independent from the CPU clock, and can wake up the system from Stop mode. The wake-up from Stop mode is programmable, and can be done on one of the following:

- A start bit detection
- Any received data frame
- A specific programmed data frame
- Specific TXFIFO/RXFIFO status when FIFO mode is enabled

Even in Stop mode, the LPUART can wait for an incoming frame while having an extremely low-energy consumption.

The LPUART interface can be served by the LPDMA controller.

3.56 Serial peripheral interface (SPI1/2/3/4/5/6/7/8) inter-integrated sound interfaces (I2S1/2/3)

The devices feature up to eight SPIs that allow communication at up to 50 Mbit/s in master and slave modes, in half-duplex, full-duplex, and simplex modes. The 3-bit prescaler gives eight master mode frequencies, and the frame is configurable from 4 to 16 bits.

All SPI interfaces support NSS pulse mode, TI mode, hardware CRC calculation, and eight 8-bit embedded Rx and Tx FIFOs with DMA capability.

The standard I²S interfaces (multiplexed with SPI1, SPI2 and SPI3) can be operated in master or slave mode, in full-duplex and half-duplex communication modes. They can be configured to operate with a 16-/32-bit resolution as an input or output channel.

Audio sampling frequencies from 8 kHz up to 192 kHz are supported. When either or both I²S interfaces is/are configured in master mode, the master clock can be output to the external DAC/CODEC at 256 times the sampling frequency. All I²S interfaces support 16x 8bit embedded Rx and Tx FIFOs with DMA capability.

3.57 Serial audio interfaces (SAI1/2/3/4)

The devices embed four SAIs that are used to design many stereo or mono audio protocols such as I²S, LSB or MSB-justified, PCM/DSP, TDM, or AC'97. An SPDIF output is available when the audio block is configured as a transmitter. To bring this level of flexibility and reconfigurability, the SAI contains two independent audio subblocks. Each block has its own clock generator and I/O line controller.

Audio sampling frequencies up to 192 kHz are supported.

Up to eight microphones can be supported thanks to an embedded PDM interface.

The SAI can work in master or slave configuration. The audio subblocks can be either receiver or transmitter, and can work synchronously or asynchronously (with respect to the other one). The SAI can be connected with other SAIs to work synchronously.

3.58 SPDIF receiver interface (SPDIFRX)

The SPDIFRX is designed to receive an S/PDIF flow compliant with IEC-60958 and IEC61937. These standards support simple stereo streams up to high sample rate, and compressed multi-channel surround sound, such as those defined by Dolby® or DTS® (up to 5.1).

- Up to 4 inputs available
- Automatic symbol rate detection
- Maximum symbol rate: 12.288 MHz
- Stereo stream from 32 to 192 kHz supported
- Supports audio IEC-60958 and IEC-61937, consumer applications
- Parity bit management
- Communication using DMA for audio samples
- Communication using DMA for control and user channel information
- Interrupt capabilities

The SPDIFRX receiver provides all necessary features to detect the symbol rate, and to decode the incoming data stream. The user can select the wanted SPDIF input, and when a valid signal is available, the SPDIFRX re-samples the incoming signal, decodes the Manchester stream, and recognizes frames, sub-frames, and blocks elements. It delivers to the CPU decoded data, and associated status flags.

The SPDIFRX also offers a signal named `spdif_frame_sync`, which toggles at the S/PDIF sub-frame rate: this signal is used to compute the exact sample rate for clock drift algorithms.

3.59 Secure digital input/output MultiMediaCard interface (SDMMC1/2/3)

Three SDMMCs provide an interface between the AHB bus and SD memory cards, SDIO and e.MMC devices. SDMMC features include the following:

- Full compliance with MultiMediaCard System Specification Version 5.1

Card support for three different databus modes: 1-bit (default), 4-bit and 8-bit (HS200 speed limited by maximum allowed I/O speed, HS400 is not supported).

- Full compatibility with previous versions of MultiMediaCards (backward compatibility)
- Full compliance with SD memory card specifications version 6.0 (SDR104 SDMMC_CK speed limited to maximum allowed I/O speed, SPI and UHS-II modes not supported)
- Full compliance with SDIO card specification version 4.0

Card support for two different databus modes: 1-bit (default) and 4-bit (SDR104 SDMMC_CK speed limited to maximum allowed I/O speed, SPI and UHS-II modes not supported)

- Data transfer up to 208 Mbyte/s for the 8-bit mode (depending on the maximum allowed I/O speed)
- Data and command output enable signals to control external bidirectional drivers
- The SDMMC host interface embeds a dedicated DMA controller that allows high-speed transfers between the interface and the SRAM.
- IDMA linked list support

Each SDMMC is coupled with a delay block (DLYBSD) that supports an external data frequency above 100 MHz.

3.60 Controller area network (FDCAN1/2/3)

Note: Features may be limited or absent in some devices or packages (see [Section 2](#) for details).

The CAN subsystem consists of three FDCANs, a shared message RAM, and a clock calibration unit.

All FDCANs are compliant with ISO 11898-1 (CAN protocol specification version 2.0 part A, B), and CAN FD protocol specification version 1.0.

FDCAN1 supports time triggered CAN (TTCAN) specified in ISO 11898-4, including event synchronized time-triggered communication, global system time, and clock drift compensation. The FDCAN1 contains additional registers, specific to the time triggered feature. The CAN FD option can be used together with event-triggered and time-triggered CAN communication.

A 10-Kbyte message RAM implements filters, receives FIFOs, receives buffers, transmits event FIFOs, transmits buffers (and triggers for TTCAN). This message RAM is shared between all FDCANs.

The common clock calibration unit is optional. It can be used to generate a calibrated clock for FDCANs from the HSI internal RC oscillator and the PLL, by evaluating CAN messages received by the FDCAN1.

3.61 Universal serial bus Hi-Speed host (USBH)

The devices embed one USB Hi-Speed host (up to 480 Mbit/s) with one physical port. USBH supports both low, full-speed (OHCI) as well as Hi-Speed (EHCI) operations. It integrates a physical interface (PHY) which can be used for either low-speed (1.2 Mbit/s), full-speed (12 Mbit/s), or Hi-Speed operation (480 Mbit/s).

The USBH is compliant with the USB 2.0 specification.

3.62 USB Type-C Power Delivery controller (UCPD1)

The devices embed one controller compliant with USB Type-C Rev.1.2 and USB Power Delivery Rev. 3.1 specifications.

The UCPD use specific I/Os supporting the USB Type-C and USB Power Delivery requirements, featuring:

- USB Type-C pull-up (R_p , all values) and pull-down (R_d) resistors
- USB Power Delivery message transmission and reception

The digital controller handles notably:

- USB Type-C level detection with de-bounce, generating interrupts
- byte-level interface for USB Power Delivery payload, generating interrupts (DMA compatible)

- USB Power Delivery timing dividers (including a clock pre-scaler)
- CRC generation/checking
- 4b5b encode/decode
- ordered sets (with a programmable ordered set mask at receive)
- frequency recovery in receiver during preamble

The interface offers low-power operation compatible with Stop mode, maintaining the capacity to detect incoming USB Power Delivery messages.

3.63 Universal serial bus 3.0 dual role data (USB3DR)

- 5 Gbit/s PHY (COMBOPHY)
- xHCI model.
- Dual Role Data. The USB3DR can be configured statically as a Host or Device port.
- OTG is not supported:
 - Dynamic switch from Host (resp. Device) to Device (resp. Host) role is not supported.
 - Host Negotiation Protocol (HNP), Role Swap Protocol (RSP), Session Request Protocol (SRP), Attach Detection Protocol (ADP) are not supported.
- USB3 SuperSpeed mode (5 Gbit/s), as well as USB2 Low-Speed/Full-Speed/Hi-Speed modes (when Host) or USB2 Full-Speed/Hi-Speed modes (when Device).
- Descriptor caching and data pre-fetching to meet system performance.
- Variable FIFO buffer allocation for each endpoint.
- Simultaneously 4 Gbit/s IN and 4 Gbit/s OUT bandwidth
- DMA engine
- Supports Battery Charging v1.2, with the exception of the Accessory Charger Adapter mode

The standards supported are:

- Universal Serial Bus 3.0 Specification, Revision 1.0, November 12, 2008
- Universal Serial Bus Specification, Revision 2.0, USB Implementers Forum, Inc., April 27, 2000
- Errata for “USB Revision 2.0 April 27 2000” as of May 28, 2002, USB-IF
- eXtensible Host Controller Interface for Universal Serial Bus (xHCI), Revision 1.1, Intel Corp., December 20, 2013
- UTMI+ Specification, Revision 1.0, ULPI Working Group, February 25, 2004
- Battery Charging Specification, Revision 1.2, December 7, 2010

3.64 PCI Express interface (PCIE)

The PCIE controller has the following features:

- One lane Generation2 PCIe
- Dual-mode (RC or EP)
- PTM
- 256-byte maximum payload size
- Remote device maximum read request size 1K Byte
- Single Virtual Channel
- Single Function
- Legacy INTx support, MSI and GICv2m host support
- ASPM L0s and L1, and L1.1 substate
- AER
- Internal ATU
- 5 Gbit/s PHY (COMBOPHY)

An included PCIe reference clock generator (REFGEN) provides a 100 MHz differential clock to a PCIe link partner. This can be used to eliminate the external 100 MHz clock source that is typically found in PCIe common-clock implementations.

The PCIE internal reference clock is 25 MHz (without SSC). There is also the option of an external PCIE differential reference clock 100 MHz (with SSC).

3.65 5-Gbit/s PHY controller (COMBOPHY)

The COMBOPHY control a 5-Gbit/s multi-protocol PHY, that is used by the USB3DR or the PCIE (mutually exclusive). It supports data rates up to 5 Gbit/s for USB3.0, 5 Gbit/s for PCIe gen2, and 2.5 Gbit/s for PCIe gen1. The COMBOPHY includes the physical coding sublayer (PCS) blocks that perform 8-/10bit encoding/decoding, and resynchronizing RX data to the local clock domain.

The COMBOPHY is single lane. The SuperSpeed lane multiplexing for USB Type-C must be managed by a switch outside the device.

3.66 Gigabit Ethernet MAC interface (ETH1/2)

Note: Features may be limited or absent in some devices or packages (see [Section 2](#) for details).

The devices embed two fully independent instances of a 10/100/1000 Ethernet MAC controller, that enable transmission and reception of data over Ethernet, in compliance with IEEE 802.3-2008.

Each Ethernet MAC controller is connected to an external Ethernet PHY via a standard media independent interface.

Features provided by the Ethernet controller include:

- 10, 100, and 1000 Mbit/s data transfer rates
- Full-duplex and half-duplex operations
- Standard or Jumbo Ethernet packets
- Two independent Rx queues and two independent Tx queues, with each queue associated to a (subset of) PCP code(s)
- Configurable media-independent interface to external PHY:
 - RGMII
 - MII
 - RMII
 - MDIO master interface for external PHY device configuration
 - Internal or external reference clocks
- Low-power support:
 - Energy Efficient Ethernet (EEE) compliant with IEEE 802.3az-2010;
 - Detection of LAN wake-up frames and “Magic Packet” frames
- Timing and synchronization:
 - Compliance with IEEE 1588-2008 (PTP) and IEEE 802.1AS-Rev
 - Hardware “auxiliary timestamp trigger” for accurate sampling of the “PTP system clock”
 - Internal or external system time
- Time-sensitive networking:
 - “Forwarding and Queuing Enhancements for Time-Sensitive Streams” compliant with IEEE 802.1Qav
 - “Enhancements to Scheduled Traffic” compliant with IEEE 802.1Qbv, with a gate control list depth up to 128
 - “Frame Preemption” compliant with IEEE 802.1Qbu and IEEE 802.3br
- Preamble and start-of-frame data insertion (for Tx) and deletion (for Rx)
- Option for automatic CRC generation (for Tx), checking and stripping (for Rx)
- Source address field insertion or replacement in transmitted packets
- Filtering options:
 - Perfect match with a given SA/DA (up to 3 MAC addresses are supported)
 - 64-bit Hash filter match
 - Several multicast/broadcast rules supported
 - Based on IEEE 802.1q ‘VLAN tag’ field (perfect match, hash filtering)
 - Support for different ‘VLAN tag’ filtering for each Rx queue
 - Based on TCP/UDP/IP address (perfect match, inverse filtering)

- TCP/IP offloading:
 - Checksum calculation and insertion in the transmit path
 - Checksum error detection in the receive path.
 - TCP segmentation offload (automatic split of a large TCP packet into smaller Ethernet frames)

3.67 Gigabit Ethernet switch (ETHSW)

Note: Features may be limited or absent in some devices or packages (see [Section 2](#) for details).

A 3-port gigabit Ethernet switch is included. The switch supports TSN and related standards, and also includes a cut-through accelerator (called ACM) for the two external ports.

Two switch ports are available externally providing RGMII and RMII interfaces. The third port is connected internally to the ETH1 controller.

The switch can be completely bypassed. In this case, ETH1 is connected directly to a single external port.

3.68 Debug infrastructure

The devices offer a comprehensive set of debug and trace features to support software development and system integration.

- Breakpoint debugging
- Code execution tracing
- Software instrumentation
- JTAG debug port
- Serial-wire debug port
- Trigger input and output
- Serial-wire trace port
- Trace port
- Arm CoreSight debug and trace components

The debug can be controlled via a JTAG/serial-wire debug access port, using industry standard debugging tools.

A trace port allows data to be captured for logging and analysis.

4 Pinouts/ballouts, pin description, and alternate functions

4.1 Ballout schematics

Figure 6. STM32MP25xC/F TFBGA361 ballout

	1	2	3	4	5	6	7	8	9	10	11	12	13	14	15	16	17	18	19
A	VSS	DSI_D3N	DSI_D2N	DSI_CKPN	DSI_D1N	DSI_D0N	VDDDSI	PB10	PB0	PB5	PD8	PD1	PE0	PE6	PE11	PD12	DDR_DQ11	DDR_DQ9	VSS
B	VDDCSI	DSI_D3P	DSI_D2P	DSI_CKN	DSI_D1P	DSI_D0P	VDDA18_DSI	PB7	PB6	PB4	PD0	PD15	PE1	PE7	PE9	PB12	DDR_DQ10	DDR_DQ51N	DDR_DQ51P
C	CSL_CKPN	CSL_CKN	CSL_REXT	PI7	PI6	PG15	DSI_REXT	PB1	PB2	PD3	PD10	PI10	PE2	PE8	PB13	PI11	DDR_DQ8	DDR_DQ15	DDR_DQ16
D	CSL_D1P	CSL_D1N	VDDA18_CSI	PG8	PI5	PI0	PB11	PB8	PD2	PD11	PD5	PD14	PE4	PE3	PE12	PD13	DDR_DQ14	DDR_DQ13	DDR_DQ12
E	CSL_D0N	CSL_D0P	PG14	PG9	PG10	PG11	PB9	PB3	PD9	PD4	PD7	PD6	PE5	PE10	PE13	PB14	DDR_RESETP	DDR_A9	DDR_A20
F	LVDS1_D0P	LVDS1_D0N	VDD_LVDS	PI1	PF14	PG7	VDDA18_PLL3	VDDA18_PLL2	VDDI04	VDDI04	VDDI03	VDDI03	VDDI02	VDDI01	PE14	PE15	DDR_A0	DDR_A11	DDR_A21
G	LVDS1_D1P	LVDS1_D1N	VDDA18_LVDS	PG12	PF15	PF13	VSS	VDDCORE	VSS	VDDCORE	VSS	VDDCPU	VSS	VDDQ_DDR	VSS	DDR_ZQ	DDR_A1	DDR_A10	DDR_A22
H	LVDS1_D2P	LVDS1_D2N	PG5	PI3	PG13	PI4	VDDCORE	VSS	VDDCORE	VSS	VDDCPU	VSS	VDDCPU	VSS	VDDA18_PLL1	VSS	DDR_A25	DDR_A8	DDR_A23
J	LVDS1_D4P	LVDS1_D4N	PG6	PI9	PF12	PI2	VSS	VDDCORE	VSS	VDDCORE	VSS	VDDCPU	VSS	VDDQ_DDR	VSS	VDDA18_DDR	DDR_A2	DDR_A13	DDR_A3
K	LVDS1_D3P	LVDS1_D3N	PZ8	PZ6	PC13	V08CAP	VDDCORE	VSS	VDDCORE	VSS	VDDGPU	VSS	VDDCPU	VSS	VDDQ_DDR	VSS	DDR_VREF	DDR_A14	DDR_A26
L	PZ9	PZ7	PZ2	PZ4	PZ0	VBAT	VSS	VDD	VSS	VDD	VSS	VDDGPU	VSS	VDDQ_DDR	VSS	VDDQ_DDR	DDR_A5	DDR_A15	DDR_A27
M	OSC32_OUT	OSC32_IN	PZ1	PZ5	PZ3	VDDA18_AON	VSSAON	VSS	VDD	VSS	VDDGPU	VSS	VDDGPU	VSS	VDDQ_DDR	VSS	DDR_A4	DDR_A16	DDR_A28
N	NRST	PWR_CPU_ON	BOOT0	BOOT1	PI8	VDDA18_ADC	VSSA	VDD	VSS	VDD	VSS	VDDGPU	VSS	VDDQ_DDR	VSS	VDDQ_DDR	DDR_A6	DDR_A17	DDR_A29
P	PDR_ON	NRST_C1MS	PWR_ON	BOOT3	PA0	PF10	PF5	PA14	PA13	PC0	PA6	PA7	PH2	PA1	VDDPCIE_CLK	UCPD1_CC1	DDR_A7	DDR_A18	DDR_A30
R	OSC_IN	OSC_OUT	BOOT2	PF11	PF6	PF7	PC5	PA11	PA12	PF0	PF2	PH6	PH4	PH5	VDDCOMBO_PHYTX	VDD33_USB	VDDA18_USB	DDR_A12	DDR_A31
T	VREF-	VREF+	PG1	PG2	PF8	PC4	PC6	PH9	PF3	PA2	PA5	PH3	PA4	COMBO_PHY_REXT	VDDA18_COMBO_PHY	USB3DR_TXR_TUNE	DDR_DQ0	DDR_DQ5	DDR_DQ4
U	JTDO_TRACE_SWO	NTRST	PG3	PF9	PC11	PC7	PC10	PF1	PA15	PH7	PH8	PA3	PA8	VDDCOMBO_PHY	UCPD1_CC2	USBH_HS_TXR_TUNE	DDR_DQ3	DDR_DQ7	DDR_DQ6
V	JTCK-SWCLK	JTMS-SWDIO	PG4	PC12	PC3	PC8	PH12	PC2	PC1	PA9	COMBO_PHY_TX1P	COMBO_PHY_RX1P	PCIE_CLKINP	ANA0	USBH_HS_DM	USB3DR_DM	DDR_DQ2	DDR_DQ50N	DDR_DQ50P
W	VSS	JTDI	PB15	PG0	PF4	PC9	PH13	PH11	PH10	PA10	COMBO_PHY_TX1N	COMBO_PHY_RX1N	PCIE_CLKINN	ANA1	USBH_HS_DP	USB3DR_DP	DDR_DQ1	DDR_DQ0	VSS

D175886.vscv1

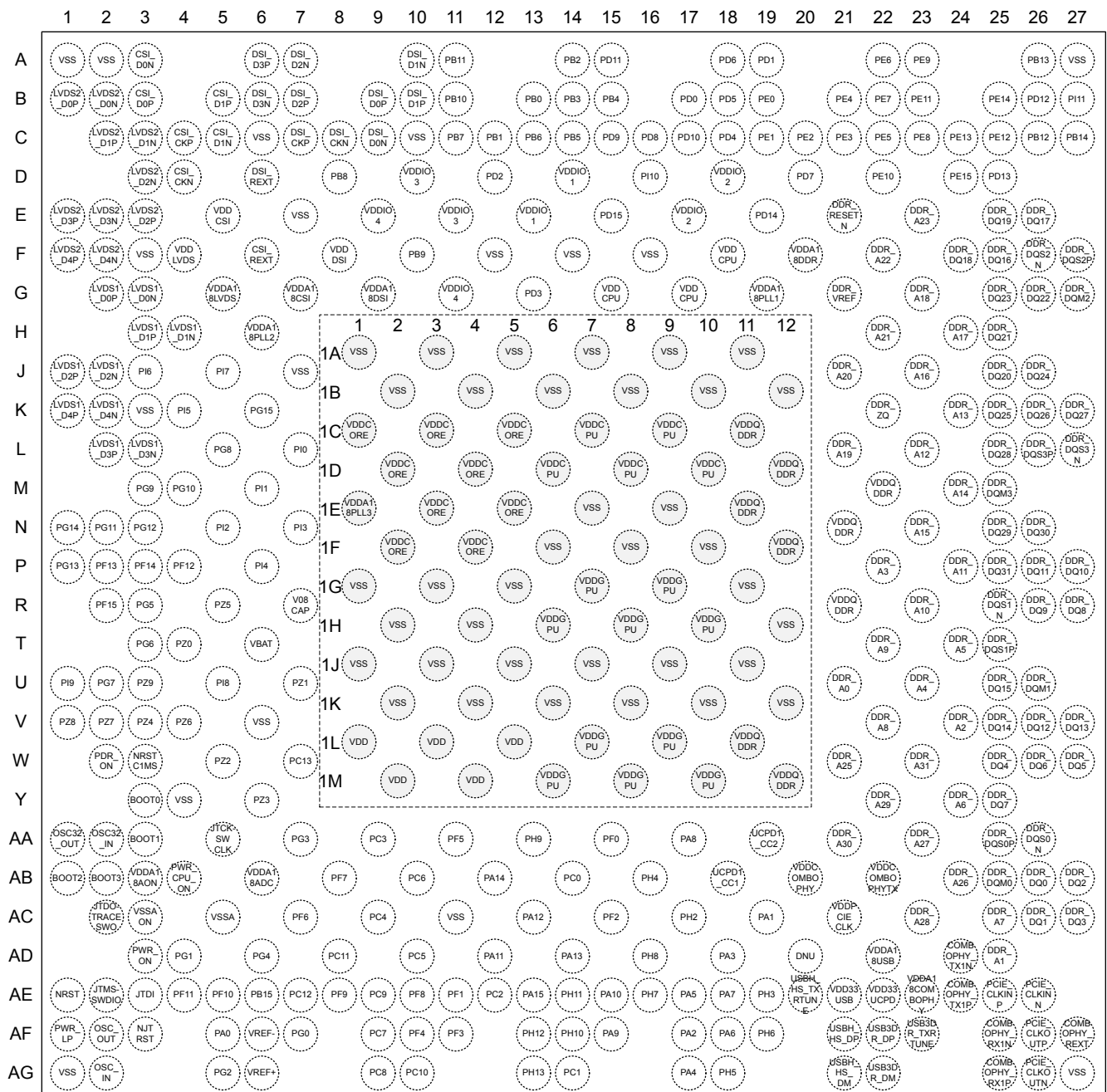
1. The above figure shows the package top view.
2. VDDGPU, VDDA18DSI, VDDDSI, VDDA18LVDS, and VDDLVDs are DNU on product without the related feature (respectively GPU/NPU, DSI and LVDS) and must be connected to VSS. DSI_XXX and LVDSx_XXX are DNU on product without the related feature (respectively DSI and LVDS) and must be left open. See Section 2 for details on feature availability. Alternatively, for PCB compatibility purposes, those balls could be connected in same ways as for a product with enabled feature. Refer to AN5489 for additional details.

Figure 7. STM32MP25x C/F VFBGA361 ballout

	1	2	3	4	5	6	7	8	9	10	11	12	13	14	15	16	17	18	19
A	VSS	DSI_D3P	DSI_D2P	DSI_CKN	DSI_D0N	DSI_D1N	PB8	PB9	PB3	PD2	PD15	PD6	PD14	PE2	PE3	PE13	DDR_DQ11	DDR_DQ9	VSS
B	VDDCSI	DSI_D3N	DSI_D2N	DSI_CKP	DSI_D0P	DSI_D1P	PB11	PB0	PB5	PD11	PH0	PD5	PE0	PE4	PE8	PE11	DDR_DQ10	DDR_DQ51N	DDR_DQ51P
C	CSI_CKP	CSI_CKN	VSS	DSI_REXT	VDDA18_DSI	VDDDSI	VSS	PB6	PB4	PD9	PD0	PD4	PE1	PE5	PE7	PE12	DDR_DQ8	DDR_DQ15	DDR_DQ0M1
D	CSI_D1P	CSI_D1N	VDDA18_CSI	PI6	PI7	VDDIO4	PB7	PD3	PB1	VDDIO1	PD10	PD7	VSS	PE15	PE10	VDDA18_DDR	DDR_DQ14	DDR_DQ13	DDR_DQ12
E	CSI_D0N	CSI_D0P	CSI_REXT	PG15	PG8	VDDIO4	PG7	VSS	PB2	VDDIO3	PD8	PB10	VDDCPU	PB12	VDDA18_PLL1	VSS	DDR_RESETN	DDR_A9	DDR_A20
F	LVDS1_D0N	LVDS1_D0P	LVDS1_D1N	LVDS1_D1P	PG10	VSS	PG11	VDDIO2	PD1	VDDIO3	VSS	PH11	VSS	PE6	PE9	VDD_QDDR	DDR_A0	DDR_A11	DDR_A21
G	PI4	PG9	LVDS1_D2N	LVDS1_D2P	PF15	VDDA18_PLL2	PF14	VSS	PD13	VDD_CORE	VSS	PH4	VDDCPU	PE14	PB13	DDR_ZQ	DDR_A1	DDR_A10	DDR_A22
H	PI0	PF13	LVDS1_D4N	LVDS1_D4P	PG14	VDDA18_PLL3	PG12	VDD	PI3	VSS	VDD_CORE	PG3	VSS	PD12	PB14	VSS	DDR_A25	DDR_A8	DDR_A23
J	VDD_LVDS	LVDS1_D3N	LVDS1_D3P	VDDA18_LVDS	PI2	VSS	PG13	VSS	PH1	VDD_CORE	VSS	PA5	VDDCPU	VSS	PB15	VDD_QDDR	DDR_A2	DDR_A13	DDR_A3
K	PG5	PG6	PZ6	VSS	VSS	PI9	PI5	VDD	PA8	VSS	VDD_CORE	PA9	VSS	PH3	PA7	VSS	DDR_VREF	DDR_A14	DDR_A26
L	PZ7	PZ9	PZ8	PZ4	PZ0	VDD	PF12	VSS	PF10	VDD_CORE	VSS	PH7	VDDCPU	PH2	PH6	VDD_QDDR	DDR_A5	DDR_A15	DDR_A27
M	OSC32_OUT	OSC32_IN	PZ2	PZ1	PZ3	VSSAON	PG2	V08CAP	PH5	VSS	VDDGPU	PH8	VDDCPU	PA6	PA10	VDD_QDDR	DDR_A4	DDR_A16	DDR_A28
N	PDR_ON	NRST	PZ5	PI8	VDDA18_AON	VDDA18_ADC	PG4	VDD_CORE	PF0	VDD_CORE	VSS	PA2	VSS	VDDGPU	PA1	VSS	DDR_A6	DDR_A17	DDR_A29
P	PWR_LP	PWR_CPU_ON	BOOT1	PC13	ANA1	VSSA	PF5	VSS	PF2	VSS	VDDGPU	PA4	VDDGPU	VSS	PA0	VDD_QDDR	DDR_A7	DDR_A18	DDR_A30
R	OSC_IN	OSC_OUT	BOOT3	PG1	ANA0	VBAT	PC6	PA12	PA11	VDDGPU	VSS	PA3	VDDA18_COMBO_PHY	VDD33_USB	USB3DR_TXR_TUNE	VSS	DDR_A12	VSS	DDR_A31
T	NRSTC1_MS	BOOT0	BOOT2	PF11	PG0	PF9	PC5	PA14	PC2	PA15	PH11	DNU	VDDA18_USB	VDD_COMBO_PHY	USB_HS_TXR_TUNE	VDD_QDDR	DDR_DQ0	DDR_DQ5	DDR_DQ4
U	VREF-	VREF+	PWR_ON	PC3	PF6	PC8	PF8	PF1	PH13	PH10	VDD33U_CPD	VDDPCIE_CLK	PCIE_CLKINP	PCIE_CLKOUTP	COMBO_PHY_TX1P	COMBO_PHY_RX1P	DDR_DQ3	DDR_DQ7	DDR_DQ6
V	JTD-TRACE_SWD	NJTRST	PC4	PC12	PC11	PC9	PF7	PH12	PC0	PC1	USB_HS_DM	USB3DR_DM	PCIE_CLKINN	PCIE_CLKOUTN	COMBO_PHY_TX1N	COMBO_PHY_RX1N	DDR_DQ2	DDR_DQ0N	DDR_DQ0P
W	VSS	JTMS-SWDIO	JTDI	JTCK-SWCLK	PC7	PC10	PF4	PH9	PA13	PF3	USB_HS_DP	USB3DR_DP	UCPD1_CC1	UCPD1_CC2	COMBO_PHY_REXT	VDD_COMBO_PHYTX	DDR_DQ1	DDR_DQ0	VSS

DT73148V1

1. The above figure shows the package top view.
2. VDDGPU, VDDA18DSI, VDDDSI, VDDA18LVDS, and VDDLVDs are DNU on product without the related feature (respectively GPU/NPU, DSI and LVDS) and must be connected to VSS. DSI_xxx and LVDSx_xxx are DNU on product without the related feature (respectively DSI and LVDS) and must be left open. See Section 2 for details on feature availability. Alternatively, for PCB compatibility purposes, those balls could be connected in same ways as for a product with enabled feature. Refer to AN5489 for additional details.

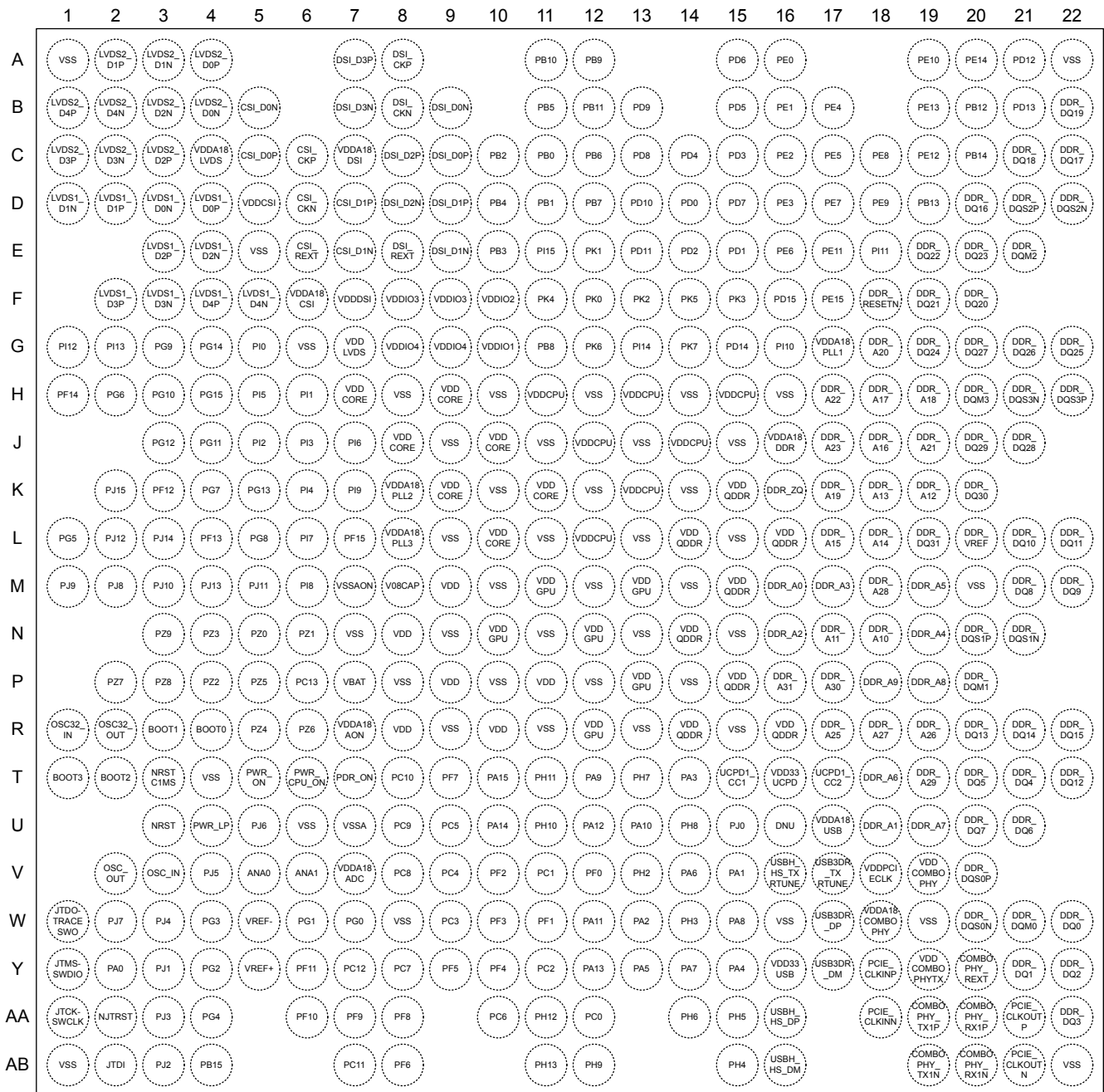
Figure 8. STM32MP25x/F VFBGA424 ballout


DT773146V1

1. The above figure shows the package top view.
2. VDDGPU, VDDA18DSI, VDDDSI, VDDA18LVDS, and VDDLVDs are DNU on product without the related feature (respectively GPU/NPU, DSI and LVDS) and must be connected to VSS. DSI_xxx and LVDSx_xxx are DNU on product without the related feature (respectively DSI and LVDS) and must be left open. See Section 2 for details on feature availability. Alternatively, for PCB compatibility purposes, those balls could be connected in same ways as for a product with enabled feature. Refer to AN5489 for additional details.



Figure 9. STM32MP25x/F TFBGA436 ballout



DT73147V1

- The above figure shows the package top view.
- VDDGPU, VDDA18DSI, VDDDSI, VDDA18LVDS, and VDDLVDs are DNU on product without the related feature (respectively GPU/NPU, DSI and LVDS) and must be connected to VSS. DSI_xxx and LVDSx_xxx are DNU on product without the related feature (respectively DSI and LVDS) and must be left open. See Section 2 for details on feature availability. Alternatively, for PCB compatibility purposes, those balls could be connected in same ways as for a product with enabled feature. Refer to AN5489 for additional details.

Table 9. I/O power domains

Supply pin	Pin names ⁽¹⁾
VDD	NRSTC1MS, PA0, PA1, PA10, PA11, PA12, PA13, PA14, PA15, PA2, PA3, PA4, PA5, PA6, PA7, PA8, PA9, PB12, PB13, PB14, PB15, PC0, PC1, PC10, PC11, PC12, PC2, PC6, PC7, PC8, PC9, PD12, PD13, PD14, PD15, PF0, PF1, PF10, PF11, PF12, PF13, PF14, PF15, PF2, PF3, PF4, PF5, PF8, PF9, PG0, PG10, PG11, PG12, PG13, PG14, PG15, PG2, PG4, PG5, PG6, PG7, PG8, PG9, PH10, PH11, PH12, PH13, PH2, PH3, PH4, PH5, PH6, PH7, PH8, PH9, PI0, PI1, PI10, PI11, PI12, PI13, PI14, PI15, PI2, PI3, PI4, PI5, PI6, PI7, PI9, PJ0, PJ1, PJ10, PJ11, PJ12, PJ13, PJ14, PJ15, PJ2, PJ3, PJ4, PJ5, PJ6, PJ7, PJ8, PJ9, PK0, PK1, PK2, PK3, PK4, PK5, PK6, PK7, PWR_CPU_ON, PWR_LP, PWR_ON, PZ7, PZ8, PZ9, JTCK-SWCLK, JTDI, JTDO-TRACESWO, JTMS-SWDIO, NJTRST, NRST
VDDIO1 ⁽²⁾	PE0, PE1, PE2, PE3, PE4, PE5
VDDIO2 ⁽³⁾	PE10, PE11, PE12, PE13, PE14, PE15, PE6, PE7, PE8, PE9
VDDIO3 ⁽⁴⁾	PD0, PD1, PD10, PD11, PD2, PD3, PD4, PD5, PD6, PD7, PD8, PD9
VDDIO4 ⁽⁵⁾	PB0, PB1, PB10, PB11, PB2, PB3, PB4, PB5, PB6, PB7, PB8, PB9
VDDA18AON	OSC_IN, OSC_OUT, PDR_ON
VSW ⁽⁶⁾	OSC32_IN, OSC32_OUT, PC13, PI8, PZ0, PZ1, PZ2, PZ3, PZ4, PZ5, PZ6
VDD/VSW ⁽⁶⁾⁽⁷⁾	PC3, PC4, PC5, PF6, PF7, PG1, PG3

1. Does not include analog peripherals which have one or more dedicated supplies (for example PHYs).
2. Usually used for SD-Card using SDMMC1.
3. Usually used for e.MMC or SD-Card using SDMMC2.
4. Usually used for OCTOSPIM_P1.
5. Usually used for OCTOSPIM_P2.
6. VSW is supplied by V_{BAT} in absence of V_{DD} .
7. Pins with two supplies: V_{SW} supply for enabled TAMP_INx additional function, V_{DD} supply for GPIO and other alternate function.

4.2 Ball description

Table 10. Legend/abbreviations used in the ballout table

Name	Abbreviation	Definition
Pin name		Unless otherwise specified, the function during and after reset is the same as the actual pin/ball name
	DNU (do not use)	Represent a pin/ball that must be left unconnected (open) at application level unless otherwise noted.
Pin type	S	Supply pin
	I	Input only pin
	O	Output only pin
	I/O	Input/output pin
	A	Analog or special level pin
I/O structure	TT(U/D/PD)	3.6 V capable I/O (with fixed pull-up/pull-down/programmable pull-down) ⁽¹⁾
	DDR	1.35 V, 1.2 V, or 1.1 V I/O for DDR3L, DDR4 or LPDDR4 interface
	A	Analog signal
	RST	Reset pin with weak pull-up resistor
		Option for TT I/Os
	_f ⁽²⁾	I3C option
	_a ⁽²⁾	Analog option (supplied by V _{DDA18ADC} for the analog part of the I/O)
Notes	Unless otherwise specified by a note, all I/Os are set as floating inputs during and after reset	
Alternate functions	Functions selected through GPIOx_AFR registers	
Additional functions	Functions directly selected/enabled through peripheral registers	

1. 3.6 V capable only if related I/O supply is 3.3 V typ. and related VDDIOxVRSEL = 0.

2. The related I/O structures in table below are TT_f, TT_a and TT_af.

Note: Alternate functions listed in following tables may be absent in some devices or packages (see [Section 2](#) for details).



Table 11. STM32MP25xC/F ball definitions

Pin number				Pin name (function after reset)	Pin type	I/O structur e	Notes	Alternate functions	Additional functions
TFBGA361	VFBGA361	VFBGA424	TFBGA436						
V14	R5	-	V5	ANA0	A	A	-	-	ADC1_INP0, ADC1_INN1, ADC2_INP0, ADC2_INN1, ADC3_INP0, ADC3_INN1
W14	P5	-	V6	ANA1	A	A	-	-	ADC1_INP1, ADC2_INP1, ADC3_INP1
N3	T2	Y3	R4	BOOT0	I	TTPD	(1)	-	-
N4	P3	AA3	R3	BOOT1	I	TTPD	(1)	-	-
R3	T3	AB1	T2	BOOT2	I	TTPD	(1)	-	-
P4	R3	AB2	T1	BOOT3	I	TTPD	(1)	-	-
P16	W13	AB18	T15	UCPD1_CC1	A	A	-	-	UCPD1_CC1
U15	W14	AA19	T17	UCPD1_CC2	A	A	-	-	UCPD1_CC2
C2	C2	D4	D6	CSI_CKN	A	A	-	-	-
C1	C1	C4	C6	CSI_CKP	A	A	-	-	-
E1	E1	A3	B5	CSI_D0N	A	A	-	-	-
E2	E2	B3	C5	CSI_D0P	A	A	-	-	-
D2	D2	C5	E7	CSI_D1N	A	A	-	-	-
D1	D1	B5	D7	CSI_D1P	A	A	-	-	-
C3	E3	F6	E6	CSI_REXT	A	A	-	-	-
F17	F17	U21	M16	DDR_A0	O	DDR	-	-	-
G17	G17	AD25	U18	DDR_A1	O	DDR	-	-	-
J17	J17	V24	N16	DDR_A2	O	DDR	-	-	-
J19	J19	P22	M17	DDR_A3	O	DDR	-	-	-
M17	M17	U23	N19	DDR_A4	O	DDR	-	-	-
L17	L17	T24	M19	DDR_A5	O	DDR	-	-	-
N17	N17	Y24	T18	DDR_A6	O	DDR	-	-	-





Pin number				Pin name (function after reset)	Pin type	I/O structur e	Notes	Alternate functions	Additional functions
TFBGA361	VFBGA361	VFBGA424	TFBGA436						
P17	P17	AC25	U19	DDR_A7	O	DDR	-	-	-
H18	H18	V22	P19	DDR_A8	O	DDR	-	-	-
E18	E18	T22	P18	DDR_A9	O	DDR	-	-	-
G18	G18	R23	N18	DDR_A10	O	DDR	-	-	-
F18	F18	P24	N17	DDR_A11	O	DDR	-	-	-
R18	R17	L23	K19	DDR_A12	O	DDR	-	-	-
J18	J18	K24	K18	DDR_A13	O	DDR	-	-	-
K18	K18	M24	L18	DDR_A14	O	DDR	-	-	-
L18	L18	N23	L17	DDR_A15	O	DDR	-	-	-
M18	M18	J23	J18	DDR_A16	O	DDR	-	-	-
N18	N18	H24	H18	DDR_A17	O	DDR	-	-	-
P18	P18	G23	H19	DDR_A18	O	DDR	-	-	-
-	-	L21	K17	DDR_A19	O	DDR	-	-	-
E19	E19	J21	G18	DDR_A20	O	DDR	-	-	-
F19	F19	H22	J19	DDR_A21	O	DDR	-	-	-
G19	G19	F22	H17	DDR_A22	O	DDR	-	-	-
H19	H19	E23	J17	DDR_A23	O	DDR	-	-	-
H17	H17	W21	R17	DDR_A25	O	DDR	-	-	-
K19	K19	AB24	R19	DDR_A26	O	DDR	-	-	-
L19	L19	AA23	R18	DDR_A27	O	DDR	-	-	-
M19	M19	AC23	M18	DDR_A28	O	DDR	-	-	-
N19	N19	Y22	T19	DDR_A29	O	DDR	-	-	-
P19	P19	AA21	P17	DDR_A30	O	DDR	-	-	-
R19	R19	W23	P16	DDR_A31	O	DDR	-	-	-
T17	T17	AB25	W21	DDR_DQM0	O	DDR	-	-	-
C19	C19	U26	P20	DDR_DQM1	O	DDR	-	-	-
-	-	G27	E21	DDR_DQM2	O	DDR	-	-	-
-	-	M25	H20	DDR_DQM3	O	DDR	-	-	-



Pin number				Pin name (function after reset)	Pin type	I/O structur e	Notes	Alternate functions	Additional functions
TFBGA361	VFBGA361	VFBGA424	TFBGA436						
V18	V18	AA26	W20	DDR_DQS0N	I/O	DDR	-	-	-
B18	B18	R25	N21	DDR_DQS1N	I/O	DDR	-	-	-
-	-	F26	D22	DDR_DQS2N	I/O	DDR	-	-	-
-	-	L27	H21	DDR_DQS3N	I/O	DDR	-	-	-
V19	V19	AA25	V20	DDR_DQS0P	I/O	DDR	-	-	-
B19	B19	T25	N20	DDR_DQS1P	I/O	DDR	-	-	-
-	-	F27	D21	DDR_DQS2P	I/O	DDR	-	-	-
-	-	L26	H22	DDR_DQS3P	I/O	DDR	-	-	-
V17	V17	AB27	Y22	DDR_DQ2	I/O	DDR	-	-	-
U17	U17	AC27	AA22	DDR_DQ3	I/O	DDR	-	-	-
W17	W17	AC26	Y21	DDR_DQ1	I/O	DDR	-	-	-
W18	W18	AB26	W22	DDR_DQ0	I/O	DDR	-	-	-
U18	U18	Y25	U20	DDR_DQ7	I/O	DDR	-	-	-
U19	U19	W26	U21	DDR_DQ6	I/O	DDR	-	-	-
T19	T19	W25	T21	DDR_DQ4	I/O	DDR	-	-	-
T18	T18	W27	T20	DDR_DQ5	I/O	DDR	-	-	-
D19	D19	V26	T22	DDR_DQ12	I/O	DDR	-	-	-
C18	C18	U25	R22	DDR_DQ15	I/O	DDR	-	-	-
D17	D17	V25	R21	DDR_DQ14	I/O	DDR	-	-	-
D18	D18	V27	R20	DDR_DQ13	I/O	DDR	-	-	-
A18	A18	R26	M22	DDR_DQ9	I/O	DDR	-	-	-
C17	C17	R27	M21	DDR_DQ8	I/O	DDR	-	-	-
A17	A17	P26	L22	DDR_DQ11	I/O	DDR	-	-	-
B17	B17	P27	L21	DDR_DQ10	I/O	DDR	-	-	-
-	-	J25	F20	DDR_DQ20	I/O	DDR	-	-	-
-	-	H25	F19	DDR_DQ21	I/O	DDR	-	-	-
-	-	G25	E20	DDR_DQ23	I/O	DDR	-	-	-
-	-	G26	E19	DDR_DQ22	I/O	DDR	-	-	-



Pin number				Pin name (function after reset)	Pin type	I/O structur e	Notes	Alternate functions	Additional functions
TFBGA361	VFBGA361	VFBGA424	TFBGA436						
-	-	E25	B22	DDR_DQ19	I/O	DDR	-	-	-
-	-	F25	D20	DDR_DQ16	I/O	DDR	-	-	-
-	-	F24	C21	DDR_DQ18	I/O	DDR	-	-	-
-	-	E26	C22	DDR_DQ17	I/O	DDR	-	-	-
-	-	P25	L19	DDR_DQ31	I/O	DDR	-	-	-
-	-	N26	K20	DDR_DQ30	I/O	DDR	-	-	-
-	-	L25	J21	DDR_DQ28	I/O	DDR	-	-	-
-	-	N25	J20	DDR_DQ29	I/O	DDR	-	-	-
-	-	K25	G22	DDR_DQ25	I/O	DDR	-	-	-
-	-	K26	G21	DDR_DQ26	I/O	DDR	-	-	-
-	-	K27	G20	DDR_DQ27	I/O	DDR	-	-	-
-	-	J26	G19	DDR_DQ24	I/O	DDR	-	-	-
K17	K17	G21	L20	DDR_VREF	A	A	-	-	-
E17	E17	E21	F18	DDR_RESETN	O	DDR	-	-	-
G16	G16	K22	K16	DDR_ZQ	A	A	-	-	-
B4	A4	C8	B8	DSI_CKN	A	A	(2)	-	-
A4	B4	C7	A8	DSI_CKP	A	A	(2)	-	-
A6	A5	C9	B9	DSI_D0N	A	A	(2)	-	-
B6	B5	B9	C9	DSI_D0P	A	A	(2)	-	-
A5	A6	A10	E9	DSI_D1N	A	A	(2)	-	-
B5	B6	B10	D9	DSI_D1P	A	A	(2)	-	-
A3	B3	A7	D8	DSI_D2N	A	A	(2)	-	-
B3	A3	B7	C8	DSI_D2P	A	A	(2)	-	-
A2	B2	B6	B7	DSI_D3N	A	A	(2)	-	-
B2	A2	A6	A7	DSI_D3P	A	A	(2)	-	-
C7	C4	D6	E8	DSI_REXT	A	A	(2)	-	-
V1	W4	AA5	AA1	JTCK-SWCLK	I	TTD	(1)	-	-



Pin number				Pin name (function after reset)	Pin type	I/O structur e	Notes	Alternate functions	Additional functions
TFBGA361	VFBGA361	VFBGA424	TFBGA436						
W2	W3	AE3	AB2	JTDI	I	TTU	(1)	-	-
U1	V1	AC2	W1	JTDO- TRACESWO	O	TTU	(1)	-	-
V2	W2	AE2	Y1	JTMS-SWDIO	I/O	TTU	(1)	-	-
F2	F1	G3	D3	LVDS1_D0N	A	A	(2)	-	-
F1	F2	G2	D4	LVDS1_D0P	A	A	(2)	-	-
G2	F3	H4	D1	LVDS1_D1N	A	A	(2)	-	-
G1	F4	H3	D2	LVDS1_D1P	A	A	(2)	-	-
H2	G3	J2	E4	LVDS1_D2N	A	A	(2)	-	-
H1	G4	J1	E3	LVDS1_D2P	A	A	(2)	-	-
K2	J2	L3	F3	LVDS1_D3N	A	A	(2)	-	-
K1	J3	L2	F2	LVDS1_D3P	A	A	(2)	-	-
J2	H3	K2	F5	LVDS1_D4N	A	A	(2)	-	-
J1	H4	K1	F4	LVDS1_D4P	A	A	(2)	-	-
-	-	B2	B4	LVDS2_D0N	A	A	(2)	-	-
-	-	B1	A4	LVDS2_D0P	A	A	(2)	-	-
-	-	C3	A3	LVDS2_D1N	A	A	(2)	-	-
-	-	C2	A2	LVDS2_D1P	A	A	(2)	-	-
-	-	D3	B3	LVDS2_D2N	A	A	(2)	-	-
-	-	E3	C3	LVDS2_D2P	A	A	(2)	-	-
-	-	E2	C2	LVDS2_D3N	A	A	(2)	-	-
-	-	E1	C1	LVDS2_D3P	A	A	(2)	-	-
-	-	F2	B2	LVDS2_D4N	A	A	(2)	-	-
-	-	F1	B1	LVDS2_D4P	A	A	(2)	-	-
U2	V2	AF3	AA2	NJTRST	I	TTU	(1)	-	-
N1	N2	AE1	U3	NRST	I/O	RST	(1)	-	-
P2	T1	W3	T3	NRSTC1MS	O	TT	(3)	-	-

Pin number				Pin name (function after reset)	Pin type	I/O structur e	Notes	Alternate functions	Additional functions
TFBGA361	VFBGA361	VFBGA424	TFBGA436						
P5	P15	AF5	Y2	PA0	I/O	TT_a	(1)	LPTIM1_CH2, SPI5_RDY, UART8_CTS, SAI2_MCLK_B, UART5_TX(boot), USART3_TX, TIM3_ETR, TIM5_CH2, ETH2_MII_RXD2, FMC_NL, DCM1_D9/PSSI_D9/DCMIPP_D9, EVENTOUT	WKUP1
P14	N15	AC19	V15	PA1	I/O	TT_af	(1)	SPI6_MISO, SAI3_SD_A, USART1_RTS/USART1_DE, USART6_CK, TIM4_CH2, I2C4_SDA, I2C6_SDA, LCD_R3, DCM1_D5/PSSI_D5/DCMIPP_D5, ETH3_PHY_INTN, EVENTOUT	-
T10	N12	AF17	W13	PA2	I/O	TT_af	(1)	LPTIM2_IN1, SPI7_MISO, MDF1_SDI7, USART1_RX, I3C1_SDA, I2C1_SDA, LCD_B0, DCM1_D3/PSSI_D3/DCMIPP_D3, ETH3_RGMII_RX_CTL/ETH3_RMII_CRS_DV, EVENTOUT	-
U12	R12	AD18	T14	PA3	I/O	TT_af	(1)	LPTIM2_ETR, SPI7_MOSI, MDF1_CK17, USART1_TX, I3C1_SCL, I2C7_SMBA, I2C1_SCL, LCD_B1, DCM1_D2/PSSI_D2/DCMIPP_D2, ETH3_RGMII_TX_CTL/ETH3_RMII_TX_EN, EVENTOUT	-
T13	P12	AG17	Y15	PA4	I/O	TT_a	(1)	USART2_TX(boot), FDCAN2_TX, TIM2_CH1, LCD_R1, ETH1_PTP_AUX_TS, ETH3_PPS_OUT, EVENTOUT	-
T11	J12	AE17	Y13	PA5	I/O	TT	(1)	SPI4_MOSI, SAI2_MCLK_B, SAI2_SD_B, USART2_RTS/USART2_DE, FDCAN2_RX, TIM2_CH4, LCD_G0, FMC_A0, DCM1_D13/PSSI_D13/DCMIPP_D13, ETH3_RGMII_RX_CLK/ETH3_RMII_REF_CLK, EVENTOUT	-
P11	M14	AF18	V14	PA6	I/O	TT	(1)	SPI4_SCK, SAI2_FS_B, MDF1_SDI6, USART2_CK, TIM13_CH1, TIM2_ETR, LCD_G4, FMC_NE1, DCM1_D12/PSSI_D12/DCMIPP_D12, ETH3_RGMII_TXD0/ETH3_RMII_TXD0, EVENTOUT	-
P12	K15	AE18	Y14	PA7	I/O	TT	(1)	AUDIOCLK, SPI6_RDY, PCIE_CLKREQN, MDF1_CCK0, USART1_CTS/USART1_NSS, TIM4_ETR, I2C2_SMBA, I2C6_SMBA, LCD_B5, I2C3_SMBA, I2C4_SMBA, DCM1_D6/PSSI_D6/DCMIPP_D6, ETH3_RGMII_TXD1/ETH3_RMII_TXD1, EVENTOUT	-
U13	K9	AA17	W15	PA8	I/O	TT_f	(1)	LPTIM2_CH2, SPI7_NSS, SAI1_FS_B, USART1_CK, USART2_RX(boot), I2C5_SCL, LCD_B2, DCM1_D4/PSSI_D4/DCMIPP_D4, EVENTOUT	-
V10	K12	AF15	T12	PA9	I/O	TT	(1)	SPI4_NSS, SAI2_SCK_B, USART2_CTS/USART2_NSS, LPTIM5_ETR, TIM2_CH3, ETH1_MDC, LCD_G7, PSSI_D14/DCMIPP_D14, ETH3_RGMII_RXD0/ETH3_RMII_RXD0, EVENTOUT	-



Pin number				Pin name (function after reset)	Pin type	I/O structur e	Notes	Alternate functions	Additional functions
TFBGA361	VFBGA361	VFBGA424	TFBGA436						
W10	M15	AE15	U13	PA10	I/O	TT	(1)	SPI4_MISO, SAI2_SD_B, USART2_RX, LPTIM5_IN1, TIM2_CH2, ETH1_MDIO, LCD_R6, PSSI_D15/ DCMIPP_D15, ETH3_RGMII_RXD1/ETH3_RMII_RXD1, EVENTOUT	-
R8	R9	AD12	W12	PA11	I/O	TT	(1)	SPI8_SCK, LPTIM2_CH1, SAI4_SD_B, MDF1_SDI4, ETH1_MII_RX_DV/ETH1_RGMII_RX_CTL/ ETH1_RMII_CRD_DV, EVENTOUT	-
R9	R8	AC13	U12	PA12	I/O	TT_f	(1)	SPI6_MOSI, SAI3_FS_A, TIM4_CH1, I2C4_SCL, I2C6_SCL, ETH1_PHY_INTN, EVENTOUT	-
P9	W9	AD14	Y12	PA13	I/O	TT	(1)	SPI8_RDY, I2S3_MCK, LPTIM2_ETR, MDF1_CK13, USART2_CTS/USART2_NSS, I2C7_SMBA, ETH1_MII_TX_EN/ETH1_RGMII_TX_CTL/ ETH1_RMII_TX_EN, EVENTOUT	-
P8	T8	AB12	U10	PA14	I/O	TT	(1)	SPI8_NSS, LPTIM2_CH2, SAI4_FS_B, MDF1_CCK1, ETH1_MII_RX_CLK/ETH1_RGMII_RX_CLK/ ETH1_RMII_REF_CLK, EVENTOUT	-
U9	T10	AE13	T10	PA15	I/O	TT_f	(1)	SPI3_MISO/I2S3_SDI, USART2_RX, I2C7_SDA, ETH1_MII_TXD0/ETH1_RGMII_TXD0/ETH1_RMII_TXD0, EVENTOUT	-
A9	B8	B13	C11	PB0	I/O	TT	(4)	SPI2_SCK/I2S2_CK, USART1_CK, TIM16_CH1, TIM20_CH4N, OCTOSPIM_P2_IO0(boot), EVENTOUT	-
C8	D9	C12	D11	PB1	I/O	TT	(4)	SPI3_NSS/I2S3_WS, TIM16_CH1N, TIM20_CH3N, OCTOSPIM_P2_IO1(boot), FMC_NCE4, EVENTOUT	-
C9	E9	A14	C10	PB2	I/O	TT	(4)	SPI2_MOSI/I2S2_SDO, MDF1_CK13, TIM17_BKIN, TIM16_BKIN, TIM20_CH2N, OCTOSPIM_P2_IO2(boot), EVENTOUT	-
E8	A9	B14	E10	PB3	I/O	TT	(4)	SPI2_NSS/I2S2_WS, MDF1_SDI3, TIM20_CH3, OCTOSPIM_P2_IO3(boot), FMC_NCE3, EVENTOUT	-
B10	C9	B15	D10	PB4	I/O	TT_f	(4)	SPI2_RDY, UART4_CTS, SAI4_FS_B, MDF1_SDI4, TIM14_CH1, TIM20_CH2, I2C2_SDA, OCTOSPIM_P2_IO4(boot), I3C2_SDA, EVENTOUT	-
A10	B9	C14	B11	PB5	I/O	TT_f	(4)	I2S2_MCK, UART4_RTS/UART4_DE, SAI4_SD_B, MDF1_CK14, TIM20_CH1, I2C2_SCL, OCTOSPIM_P2_IO5(boot), FMC_AD8/FMC_D8(boot), I3C2_SCL, SDMMC3_D123DIR, EVENTOUT	-



Pin number				Pin name (function after reset)	Pin type	I/O structur e	Notes	Alternate functions	Additional functions
TFBGA361	VFBGA361	VFBGA424	TFBGA436						
B9	C8	C13	C12	PB6	I/O	TT	(4)	SPI2_MISO/I2S2_SDI, UART4_RX, SAI4_SCK_B, TIM20_CH1N, OCTOSPIM_P2_IO6(boot), FMC_AD9/ FMC_D9(boot), SDMMC3_D0DIR, EVENTOUT	-
B8	D7	C11	D12	PB7	I/O	TT	(4)	SPI3_SCK/I2S3_CK, UART4_TX, SAI4_MCLK_B, TIM20_ETR, TIM12_CH1, OCTOSPIM_P2_IO7(boot), FMC_AD10/FMC_D10(boot), SDMMC3_CDIR, EVENTOUT	-
D8	A7	D8	G11	PB8	I/O	TT	(4)	SPI3_MOSI/I2S3_SDO, PCIE_CLKREQN, USART1_TX, TIM17_CH1, TIM20_CH4, OCTOSPIM_P2_NCS1(boot), FMC_AD12/FMC_D12(boot), EVENTOUT	-
E7	A8	F10	A12	PB9	I/O	TT	(4)	SPI3_RDY, USART1_RTS/USART1_DE, FDCAN1_TX, TIM20_BKIN, TIM10_CH1, OCTOSPIM_P2_DQS(boot), OCTOSPIM_P2_NCS2, FMC_AD13/FMC_D13(boot), EVENTOUT	-
A8	E12	B11	A11	PB10	I/O	TT	(4)	SPI3_MISO/I2S3_SDI, USART1_RX, TIM17_CH1N, OCTOSPIM_P2_CLK(boot), FMC_AD15/FMC_D15(boot), EVENTOUT	-
D7	B7	A11	B12	PB11	I/O	TT	(4)	I2S3_MCK, USART1_CTS/USART1_NSS, FDCAN1_RX, TIM20_BKIN2, TIM12_CH2, OCTOSPIM_P2_NCLK(boot), OCTOSPIM_P2_NCS2, FMC_AD14/FMC_D14(boot), OCTOSPIM_P1_NCS2, EVENTOUT	-
B16	E14	C26	B20	PB12	I/O	TT_a	(1)	UART8_CTS, TIM13_CH1, DSI_TE, SDMMC3_D2, FMC_NWAIT, DCMI_D12/PSSI_D12/DCMIPP_D12, EVENTOUT	-
C15	G15	A26	D19	PB13	I/O	TT_a	(1)	SPI7_SCK, SAI1_SD_B, UART8_RX, SDMMC3_CK, FMC_AD5/FMC_D5(boot), FMC_AD0/FMC_D0, EVENTOUT	-
E16	H15	C27	C20	PB14	I/O	TT	(1)	SPI2_SCK/I2S2_CK, MDF1_CK17, UART9_RX(boot), TIM4_CH2, SDMMC3_D0, FMC_AD7/FMC_D7(boot), FMC_AD2/FMC_D2, EVENTOUT	-
W3	J15	AE6	AB4	PB15	I/O	TT_a	(1)	LPTIM1_IN2, SPI5_SCK, UART8_RTS/UART8_DE, SAI2_SD_B, UART5_RX(boot), TIM3_CH2, TIM5_CH1, ETH1_PPS_OUT, FMC_A18, LCD_R4, DCMI_D8/PSSI_D8/ DCMIPP_D8, EVENTOUT	ADC1_INP15, ADC3_INP5
W13	V13	AE26	AA18	PCIE_CLKINN	A	-	-	-	-
V13	U13	AE25	Y18	PCIE_CLKINP	A	-	-	-	-
-	V14	AG26	AB21	PCIE_CLKOUTN	A	-	-	-	-
-	U14	AF26	AA21	PCIE_CLKOUTP	A	-	-	-	-



Pin number				Pin name (function after reset)	Pin type	I/O structur e	Notes	Alternate functions	Additional functions
TFBGA361	VFBGA361	VFBGA424	TFBGA436						
P10	V9	AB14	AA12	PC0	I/O	TT	(1)	LPTIM1_CH1, SPI6_SCK, SAI3_MCLK_B, USART6_TX, DCMI_D0/PSSI_D0/DCMIPP_D0, ETH2_MII_RX_CLK/ ETH2_RMII_REF_CLK, ETH1_MII_TX_CLK, ETH1_RGMII_GTX_CLK, LCD_G7, EVENTOUT	-
V9	V10	AG14	V11	PC1	I/O	TT_f	(1)	SPI3_MOSI/I2S3_SDO, USART2_TX, I2C7_SCL, ETH1_MII_TXD1/ETH1_RGMII_TXD1/ETH1_RMII_TXD1, EVENTOUT	-
V8	T9	AE12	Y11	PC2	I/O	TT	(1)	SPI8_MOSI, LPTIM2_IN1, SAI4_MCLK_B, MDF1_SDI3, USART2_RTS/USART2_DE, ETH1_MII_RXD1/ ETH1_RGMII_RXD1/ETH1_RMII_RXD1, EVENTOUT	-
V5	U4	AA9	W9	PC3	I/O	TT_a	(5)	LPTIM1_IN2, SPI3_NSS/I2S3_WS, SPI6_RDY, USART6_RTS/USART6_DE, FDCAN2_TX, ETH2_MII_RX_DV/ETH2_RGMII_RX_CTL/ ETH2_RMII_CRS_DV, ETH1_MII_RX_ER, LCD_G6, DCMI_D3/PSSI_D3/DCMIPP_D3, EVENTOUT	ADC1_INP12, ADC1_INN10, ADC2_INP12, ADC2_INN10, ADC3_INP12, ADC3_INN10, TAMP_IN3
T6	V3	AC9	V9	PC4	I/O	TT	(5)	SPI6_MISO, SAI3_FS_B, ETH2_MII_TX_EN/ ETH2_RGMII_TX_CTL/ETH2_RMII_TX_EN, ETH1_RGMII_CLK125, LCD_R0, EVENTOUT	TAMP_IN1
R7	T7	AD10	U9	PC5	I/O	TT_af	(5)	SPDIFRX1_IN1, MDF1_SDI1, TIM8_CH1N, I2C4_SDA, ETH2_MDIO, ETH1_MII_COL, FMC_A25, ETH1_PPS_OUT, LCD_DE, EVENTOUT	ADC1_INP10, ADC2_INP10, ADC3_INP10, TAMP_IN6
T7	R7	AB10	AA10	PC6	I/O	TT_af	(1)	RTC_REFIN, SPDIFRX1_IN0, MDF1_CK11, TIM8_CH1, I2C4_SCL, ETH2_MDC, ETH1_MII_CRS, FMC_A24, ETH1_PHY_INTN, LCD_CLK, EVENTOUT	ADC1_INP9, ADC1_INN5, ADC2_INP9, ADC2_INN5
U6	W5	AF9	Y8	PC7	I/O	TT_a	(1)	SPI6_MOSI, SAI3_SD_B, TIM8_CH2N, ETH2_MII_TXD0/ ETH2_RGMII_TXD0/ETH2_RMII_TXD0, ETH1_MII_TXD2, LCD_B4, DCMI_D1/PSSI_D1/DCMIPP_D1, EVENTOUT	ADC3_INP9, ADC3_INN5
V6	U6	AG9	V8	PC8	I/O	TT_a	(1)	LPTIM1_ETR, SPI6_NSS, SAI3_SCK_B, USART6_CTS/ USART6_NSS, TIM8_CH2, ETH2_MII_TXD1/ ETH2_RGMII_TXD1/ETH2_RMII_TXD1, ETH1_MII_TXD3, LCD_B3, DCMI_D2/PSSI_D2/DCMIPP_D2, EVENTOUT	-
W6	V6	AE9	U8	PC9	I/O	TT_a	(1)	MCO1, SPI3_MISO/I2S3_SDI, SAI2_SCK_A, TIM13_CH1, TIM8_CH4N, USBH_HS_OVRCUR, ETH2_MII_TXD2/ ETH2_RGMII_TXD2, USB3DR_OVRCUR, FMC_A22, LCD_G2, DCMI_D7/PSSI_D7/DCMIPP_D7, EVENTOUT	ADC1_INP8, ADC1_INN4, ADC2_INP8, ADC2_INN4



Pin number				Pin name (function after reset)	Pin type	I/O structur e	Notes	Alternate functions	Additional functions
TFBGA361	VFBGA361	VFBGA424	TFBGA436						
U7	W6	AG10	T8	PC10	I/O	TT_a	(1)	SPI3_MOSI/I2S3_SDO, LPTIM4_ETR, TIM8_CH4, USBH_HS_VBUSEN, ETH2_MII_TXD3/ ETH2_RGMII_TXD3, USB3DR_VBUSEN, FMC_A23, LCD_G3, DCM1_D6/PSSI_D6/DCMIPP_D6, EVENTOUT	ADC1_INP5, ADC2_INP5
U5	V5	AD8	AB7	PC11	I/O	TT_a	(1)	LPTIM1_CH1, SPI5_NSS, SAI2_MCLK_A, UART5_RTS/ UART5_DE, USART3_RTS/USART3_DE, TIM3_CH1, TIM5_ETR, ETH2_MII_RXD3/ETH2_RGMII_RXD3, FMC_NBL1, LCD_R2, DCM1_D10/PSSI_D10/ DCMIPP_D10, EVENTOUT	ADC1_INP7, ADC1_INN3, ADC2_INP7, ADC2_INN3, ADC3_INP7, ADC3_INN3
V4	V4	AE7	Y7	PC12	I/O	TT_af	(1)	LPTIM1_CH2, I3C3_SCL, MDF1_CK12, TIM8_CH3, I2C3_SCL, ETH2_MII_RXD1/ETH2_RGMII_RXD1/ ETH2_RMII_RXD1, ETH1_MII_RXD3, LCD_G1, DCM1_D5/ PSSI_D5/DCMIPP_D5, EVENTOUT	ADC1_INP17
K5	P4	W7	P6	PC13	I/O	TT	(6)	EVENTOUT	RTC_OUT1/ RTC_LSCO/ RTC_TS, TAMP_OUT1
M2	M2	AA2	R1	OSC32_IN	I	A	(7)	-	OSC32_IN
M1	M1	AA1	R2	OSC32_OUT	O	A	(8)	-	OSC32_OUT
P1	N1	W2	T7	PDR_ON	I	-	(9)	-	-
B11	C11	B17	D14	PD0	I/O	TT	(10)	TRACECLK, HDP0, SPI7_RDY, SAI1_D2, SAI4_FS_A, UART7_RX, TIM15_CH2, SDVSEL1, OCTOSPIM_P1_CLK(boot), DCM1_PIXCLK/PSSI_PDCK/ DCMIPP_PIXCLK, EVENTOUT	-
A12	F9	A19	E15	PD1	I/O	TT	(10)	HDP1, SPI1_MISO/I2S1_SDI, SAI1_CK2, SAI4_SD_A, UART7_RTS/UART7_DE, TIM15_CH1, TIM1_BKIN, FDCAN3_RX, OCTOSPIM_P1_NCLK(boot), OCTOSPIM_P1_NCS2, OCTOSPIM_P2_NCS2, DCM1_HSYNC/PSSI_DE/DCMIPP_HSYNC, EVENTOUT	-
D9	A10	D12	E14	PD2	I/O	TT	(10)	HDP2, SPI1_NSS/I2S1_WS, SAI1_CK1, SAI4_SCK_A, UART7_CTS, TIM15_BKIN, TIM1_ETR, FDCAN3_TX, OCTOSPIM_P1_DQS(boot), OCTOSPIM_P1_NCS2, DCM1_VSYNC/PSSI_RDY/DCMIPP_VSYNC, EVENTOUT	-
C10	D8	G13	C15	PD3	I/O	TT	(10)	SAI1_MCLK_A, SPI2_SCK/I2S2_CK, SAI1_D1, SAI4_MCLK_A, UART7_TX, TIM15_CH1N, TIM1_BKIN2, SDVSEL2, OCTOSPIM_P1_NCS1(boot), PSSI_D15/ DCMIPP_D15, EVENTOUT	-



Pin number				Pin name (function after reset)	Pin type	I/O structur e	Notes	Alternate functions	Additional functions
TFBGA361	VFBGA361	VFBGA424	TFBGA436						
E10	C12	C18	C14	PD4	I/O	TT	(10)	TRACED0, SPI4_MISO, HDP3, SAI1_D3, SAI1_SD_B, TIM1_CH4N, TIM4_CH1, OCTOSPIM_P1_IO0(boot), PSSI_D14/DCMIPP_D14, EVENTOUT	-
D11	B12	B18	B15	PD5	I/O	TT	(10)	TRACED1, SPI4_NSS, HDP4, SAI1_D4, SAI1_FS_B, TIM1_CH3N, TIM4_CH2, OCTOSPIM_P1_IO1(boot), DCMI_D13/PSSI_D13/DCMIPP_D13, EVENTOUT	-
E12	A12	A18	A15	PD6	I/O	TT	(10)	TRACED2, SPI4_MOSI, HDP5, SAI1_SCK_B, MDF1_SDI2, TIM1_CH2N, TIM4_CH3, OCTOSPIM_P1_IO2(boot), DCMI_D12/PSSI_D12/DCMIPP_D12, EVENTOUT	-
E11	D12	D20	D15	PD7	I/O	TT	(10)	TRACED3, SPI4_SCK, SPI1_RDY, SAI1_MCLK_B, MDF1_CK12, TIM1_CH1N, TIM4_CH4, OCTOSPIM_P1_IO3(boot), DCMI_D11/PSSI_D11/ DCMIPP_D11, EVENTOUT	-
A11	E11	C16	C13	PD8	I/O	TT	(10)	TRACED4, SPI4_RDY, I2S1_MCK, SAI1_FS_A, UART4_CTS, MDF1_SDI1, TIM1_CH4, TIM4_ETR, OCTOSPIM_P1_IO4(boot), SDMMC1_D7, SDMMC1_D123DIR, DCMI_D10/PSSI_D10/DCMIPP_D10, EVENTOUT	-
E9	C10	C15	B13	PD9	I/O	TT	(10)	TRACED5, HDP6, SPI1_MOSI/I2S1_SDO, SAI1_SD_A, UART4_RTS/UART4_DE, MDF1_CK11, TIM1_CH3, OCTOSPIM_P1_IO5(boot), SDMMC1_D6, SDMMC1_D0DIR, DCMI_D9/PSSI_D9/DCMIPP_D9, EVENTOUT	-
C11	D11	C17	D13	PD10	I/O	TT_f	(10)	TRACED6, HDP7, SAI1_SCK_A, UART4_RX, MDF1_SDI0, I2C4_SDA, TIM1_CH2, TIM14_CH1, OCTOSPIM_P1_IO6(boot), SDMMC1_D5, SDMMC1_CDIR, DCMI_D8/PSSI_D8/DCMIPP_D8, EVENTOUT	-
D10	B10	A15	E13	PD11	I/O	TT_f	(10)	TRACED7, SPI1_SCK/I2S1_CK, SAI1_MCLK_A, UART4_TX, MDF1_CK10, I2C4_SCL, TIM1_CH1, SDVSEL1, OCTOSPIM_P1_IO7(boot), SDMMC1_D4, SDMMC1_CKIN, DCMI_D7/PSSI_D7/DCMIPP_D7, EVENTOUT	-
A16	H14	B26	A21	PD12	I/O	TT_a	(1)	SPI7_MISO, SPI2_MISO/I2S2_SDI, SPDIFRX1_IN2, UART8_RTS/UART8_DE, TIM4_ETR, SDMMC3_CMD, FMC_AD6/FMC_D6(boot), FMC_AD1/FMC_D1, EVENTOUT	-
D16	G9	D25	B21	PD13	I/O	TT_a	(1)	SPI2_NSS/I2S2_WS, MDF1_SDI7, UART9_TX(boot), TIM4_CH4, SDMMC3_D1, FMC_AD11/FMC_D11(boot), FMC_NWE, EVENTOUT	-



Pin number				Pin name (function after reset)	Pin type	I/O structur e	Notes	Alternate functions	Additional functions
TFBGA361	VFBGA361	VFBGA424	TFBGA436						
D12	A13	E19	G15	PD14	I/O	TT_af	(1)	I2S1_MCK, FDCAN1_RX, TIM11_CH1, I2C7_SDA, FMC_AD4/FMC_D4(boot), SDMMC3_D3, DCMI_D1/ PSSI_D1/DCMIPP_D1, EVENTOUT	-
B12	A11	E15	F16	PD15	I/O	TT_af	(1)	SPI1_RDY, DSI_TE, I2C5_SDA, FDCAN1_TX, TIM1_BKIN2, TIM5_ETR, I2C7_SCL, FMC_AD3/ FMC_D3(boot), SDMMC3_CKIN, DCMI_D0/PSSI_D0/ DCMIPP_D0, EVENTOUT	-
A13	B13	B19	A16	PE0	I/O	TT	(11)	TRACED2, LPTIM2_CH1, SPI1_SCK/I2S1_CK, SPI3_RDY, USART3_CK, SDMMC1_D2, EVENTOUT	-
B13	C13	C19	B16	PE1	I/O	TT	(11)	TRACED3, LPTIM2_CH2, I2S1_MCK, I2S3_MCK, USART3_RX, SDMMC1_D3, EVENTOUT	-
C13	A14	C20	C16	PE2	I/O	TT	(11)	LPTIM2_ETR, SPI1_MISO/I2S1_SDI, SPI3_MOSI/ I2S3_SDO, SAI1_SCK_B, TIM10_CH1, SDMMC1_CMD(boot), EVENTOUT	-
D14	A15	C21	D16	PE3	I/O	TT	(11)	TRACECLK, SPI1_RDY, SPI3_SCK/I2S3_CK, SAI1_MCLK_B, USART3_TX, TIM11_CH1, SDMMC1_CK(boot), EVENTOUT	-
D13	B14	B21	B17	PE4	I/O	TT	(11)	TRACED0, LPTIM2_IN1, SPI1_MOSI/I2S1_SDO, SPI3_MISO/I2S3_SDI, SAI1_SD_B, USART3_CTS/ USART3_NSS, FDCAN1_TX, SDMMC1_D0(boot), EVENTOUT	-
E13	C14	C22	C17	PE5	I/O	TT	(11)	TRACED1, LPTIM2_IN2, SPI1_NSS/I2S1_WS, SPI3_NSS/ I2S3_WS, SAI1_FS_B, USART3_RTS/USART3_DE, FDCAN1_RX, SDMMC1_D1, EVENTOUT	-
A14	F14	A22	E16	PE6	I/O	TT	(12)	SPI4_RDY, SPDIFRX1_IN2, USART1_TX, TIM1_ETR, FMC_AD1/FMC_D1(boot), SDMMC2_D6, SDMMC2_D0DIR, EVENTOUT	-
B14	C15	B22	D17	PE7	I/O	TT	(12)	SAI4_D4, SPDIFRX1_IN3, USART1_RX, TIM1_CH4N, TIM14_CH1, FMC_AD2/FMC_D2(boot), SDMMC2_D7, SDMMC2_D123DIR, EVENTOUT	-
C14	B15	C23	C18	PE8	I/O	TT	(12)	SPI4_MOSI, SAI4_CK1, SAI4_MCLK_A, MDF1_CK10, TIM1_CH1, FMC_A17/FMC_ALE(boot), SDMMC2_D2, EVENTOUT	-
B15	F15	A23	D18	PE9	I/O	TT	(12)	SPI4_MISO, SAI4_D2, SAI4_FS_A, USART1_CK, TIM1_CH4, FMC_AD0/FMC_D0(boot), SDMMC2_D5, SDMMC2_CDIR, EVENTOUT	-



Pin number				Pin name (function after reset)	Pin type	I/O structur e	Notes	Alternate functions	Additional functions
TFBGA361	VFBGA361	VFBGA424	TFBGA436						
E14	D15	D22	A19	PE10	I/O	TT	(12)	SPI4_SCK, SAI4_D1, SAI4_SD_A, USART1_CTS/ USART1_NSS, TIM1_CH3, FMC_NE3, FMC_NCE2, SDMMC2_D4, SDMMC2_CKIN, EVENTOUT	-
A15	B16	B23	E17	PE11	I/O	TT	(12)	SPI7_SCK, SAI4_D3, SAI1_FS_A, TIM15_CH2, TIM1_CH3N, FMC_A16/FMC_CLE(boot), SDMMC2_D1, EVENTOUT	-
D15	C16	C25	C19	PE12	I/O	TT	(12)	SPI4_NSS, SAI4_CK2, SAI4_SCK_A, MDF1_SDI0, USART1_RTS/USART1_DE, TIM1_CH2, FMC_NE2, FMC_NCE1(boot), SDMMC2_D3, EVENTOUT	-
E15	A16	C24	B19	PE13	I/O	TT	(12)	SPI7_MISO, SAI1_SD_A, TIM15_CH1, TIM1_CH2N, FMC_RNB(boot), SDMMC2_D0(boot), EVENTOUT	-
F15	G14	B25	A20	PE14	I/O	TT	(12)	SPI7_NSS, SAI1_MCLK_A, MDF1_CK16, TIM15_BKIN, TIM1_BKIN, FMC_NWE(boot), SDMMC2_CK(boot), EVENTOUT	-
F16	D14	D24	F17	PE15	I/O	TT	(12)	SPI7_MOSI, SAI1_SCK_A, MDF1_SDI6, TIM15_CH1N, TIM1_CH1N, FMC_NOE(boot), SDMMC2_CMD(boot), EVENTOUT	-
R10	N9	AA15	V12	PF0	I/O	TT_af	(1)	SPI3_SCK/I2S3_CK, FDCAN2_RX, TIM12_CH2, I2C2_SDA, ETH1_MDC, ETH2_MII_CRS, I3C2_SDA, EVENTOUT	ADC1_INP11, ADC2_INP11, ADC3_INP11
U8	U8	AE11	W11	PF1	I/O	TT	(1)	SPI8_MISO, LPTIM2_IN2, SAI4_SCK_B, MDF1_CK14, USART2_CK, ETH1_MII_RXD0/ETH1_RGMII_RXD0/ ETH1_RMII_RXD0, EVENTOUT	-
R11	P9	AC15	V10	PF2	I/O	TT_af	(1)	SPI3_RDY, I2C4_SMBA, TIM12_CH1, I2C2_SCL, ETH1_MDIO, ETH2_MII_COL, FMC_NE4, I3C2_SCL, EVENTOUT	ADC1_INP13, ADC1_INN11, ADC2_INP13, ADC2_INN11, ADC3_INP13, ADC3_INN11
T9	W10	AF11	W10	PF3	I/O	TT_a	(1)	UART8_RX(boot), SAI2_SCK_B, MDF1_CCK0, TIM3_CH4, TIM8_BKIN2, ETH1_CLK, ETH2_PPS_OUT, FMC_A20, LCD_R6, DCM1_HSYNC/PSSI_DE/DCMIPP_HSYNC, EVENTOUT	ADC1_INP16, ADC1_INN15
W5	W7	AF10	Y10	PF4	I/O	TT	(1)	RTC_OUT2, SPI6_NSS, SAI3_SCK_A, USART6_RX(boot), TIM4_CH4, ETH1_MDC, ETH2_CLK, ETH2_PPS_OUT, ETH1_PPS_OUT, LCD_B7, EVENTOUT	-



Pin number				Pin name (function after reset)	Pin type	I/O structur e	Notes	Alternate functions	Additional functions
TFBGA361	VFBGA361	VFBGA424	TFBGA436						
P7	P7	AA11	Y9	PF5	I/O	TT	(1)	SPI6_SCK, SAI3_MCLK_A, USART6_TX(boot), TIM4_CH3, ETH1_MDIO, ETH1_CLK, ETH2_PHY_INTN, ETH1_PHY_INTN, LCD_B6, EVENTOUT	-
R5	U5	AC7	AB8	PF6	I/O	TT	(5)	RTC_OUT2, SAI3_MCLK_B, USART6_CK, TIM12_CH1, I2C3_SMBA, ETH2_MII_RX_CLK/ETH2_RGMII_RX_CLK/ ETH2_RMII_REF_CLK, LCD_B0, EVENTOUT	TAMP_IN5
R6	V7	AB8	T9	PF7	I/O	TT	(5)	SPDIFRX1_IN1, SPI6_SCK, SAI3_SD_A, TIM2_ETR, ETH2_RGMII_GTX_CLK, ETH2_MII_TX_CLK, LCD_R1, EVENTOUT	TAMP_IN2
T5	U7	AE10	AA8	PF8	I/O	TT	(1)	RTC_REFIN, SAI3_SCK_B, USART3_RX, TIM12_CH2, ETH1_CLK, ETH2_RGMII_CLK125, ETH2_MII_RX_ER, ETH2_MII_RX_DV/ETH2_RMII_CRS_DV, LCD_G0, EVENTOUT	-
U4	T6	AE8	AA7	PF9	I/O	TT	(1)	SAI3_SD_B, SAI2_SD_A, MDF1_SDI5, UART8_RTS/ UART8_DE, TIM2_CH2, ETH2_MII_RXD2/ ETH2_RGMII_RXD2, ETH2_MDIO, EVENTOUT	-
P6	L9	AE5	AA6	PF10	I/O	TT_a	(1)	MCO2, SPI3_RDY, SAI2_MCLK_A, MDF1_CK16, UART8_TX, TIM2_CH3, ETH2_MII_TXD2, EVENTOUT	ADC3_INP2
R4	T4	AE4	Y6	PF11	I/O	TT_a	(1)	MCO1, SPDIFRX1_IN0, SPI6_RDY, SAI2_SCK_A, MDF1_SDI6, UART8_RX, TIM2_CH4, ETH2_MII_TXD3, EVENTOUT	ADC3_INP6, ADC3_INN2
J5	L7	P4	K3	PF12	I/O	TT	(1)	TRACECLK, SPI5_MISO, SPI1_MISO/I2S1_SDI, UART9_RTS/UART9_DE, TIM5_CH1, LCD_CLK, DCMI_D0/PSSI_D0/DCMIPP_D0, EVENTOUT	-
G6	H2	P2	L4	PF13	I/O	TT	(1)	TRACED0, HDP0, AUDIOCLK, USART6_TX, SPI2_NSS/ I2S2_WS, MDF1_CK17, USART3_CTS/USART3_NSS, FDCAN3_TX, TIM3_CH3, LCD_R2, EVENTOUT	-
F5	G7	P3	H1	PF14	I/O	TT	(1)	TRACED1, HDP1, USART6_RX, MDF1_SDI7, USART3_RTS/USART3_DE, FDCAN3_RX, TIM3_CH4, LCD_R3, EVENTOUT	-
G5	G5	R2	L7	PF15	I/O	TT	(1)	TRACED2, HDP2, SPI2_RDY, USART6_CTS/ USART6_NSS, SPI2_SCK/I2S2_CK, USART3_CK, TIM2_CH2, TIM3_ETR, I2C6_SMBA, LCD_R4, EVENTOUT	-
W4	T5	AF7	W7	PG0	I/O	TT_af	(1)	LPTIM1_IN1, I3C3_SDA, MDF1_SDI2, TIM8_CH3N, I2C3_SDA, ETH2_MII_RXD0/ETH2_RGMII_RXD0/ ETH2_RMII_RXD0, ETH1_MII_RXD2, LCD_G5, DCMI_D4/ PSSI_D4/DCMIPP_D4, EVENTOUT	ADC1_INP18, ADC1_INN17





Pin number				Pin name (function after reset)	Pin type	I/O structur e	Notes	Alternate functions	Additional functions
TFBGA361	VFBGA361	VFBGA424	TFBGA436						
T3	R4	AD4	W6	PG1	I/O	TT_af	(5)	LPTIM1_IN1, I2S3_MCK, I3C3_SCL, SAI2_SD_A, UART5_CTS, USART3_CTS/USART3_NSS, TIM5_CH4, I2C3_SCL, ETH2_MII_RX_ER, ETH2_MII_RXD3, FMC_NBL0, LCD_VSYNC, DCMI_D11/PSSI_D11/ DCMIPP_D11, EVENTOUT	WKUP3, ADC1_INP6, ADC1_INN2, ADC2_INP6, ADC2_INN2, TAMP_IN4
T4	M7	AG5	Y4	PG2	I/O	TT_af	(1)	RTC_REFIN, I2S3_MCK, I3C3_SDA, SAI2_FS_A, USART3_CK, TIM5_CH3, I2C3_SDA, ETH2_MII_TX_CLK, ETH2_RGMII_CLK125, FMC_CLK, LCD_HSYNC, EVENTOUT	WKUP5, ADC1_INP2, ADC2_INP2
U3	H12	AA7	W4	PG3	I/O	TT_a	(5)	LPTIM1_ETR, SPI5_MOSI, UART8_TX(boot), SAI2_FS_B, TIM3_CH3, TIM8_ETR, ETH2_CLK, ETH2_PHY_INTN, FMC_A19, LCD_R5, DCMI_PIXCLK/PSSI_PDCK/ DCMIPP_PIXCLK, EVENTOUT	WKUP6, ADC1_INP3, ADC2_INP3, ADC3_INP3, TAMP_IN7
V3	N7	AD6	AA4	PG4	I/O	TT_a	(1)	SPI5_MISO, SAI3_FS_B, LPTIM4_IN1, TIM8_BKIN, ETH2_PPS_OUT, ETH2_MDC, FMC_A21, LCD_R7, DCMI_VSYNC/PSSI_RDY/DCMIPP_VSYNC, EVENTOUT	PVD_IN, ADC1_INP4, ADC2_INP4
H3	K1	R3	L1	PG5	I/O	TT_f	(1)	TRACED3, HDP3, USART6_RTS/USART6_DE, TIM2_CH3, I2C6_SDA, LCD_R5, DCMI_PIXCLK/PSSI_PDCK/ DCMIPP_PIXCLK, EVENTOUT	-
J3	K2	T3	H2	PG6	I/O	TT_f	(1)	TRACED4, HDP4, SPI5_SCK, SPI1_SCK/I2S1_CK, TIM2_CH4, I2C6_SCL, LCD_R6, DCMI_HSYNC/PSSI_DE/ DCMIPP_HSYNC, EVENTOUT	-
F6	E7	U2	K4	PG7	I/O	TT	(1)	TRACED5, HDP5, SPI5_NSS, SPI1_NSS/I2S1_WS, UART9_CTS, TIM5_ETR, LCD_R7, DCMI_VSYNC/ PSSI_RDY/DCMIPP_VSYNC, EVENTOUT	-
D4	E5	L5	L5	PG8	I/O	TT	(1)	TRACED6, HDP6, SPI5_RDY, SPI1_RDY, USART6_CK, UART5_RTS/UART5_DE, UART9_TX, TIM5_CH3, LCD_G2, DCMI_D2/PSSI_D2/DCMIPP_D2, EVENTOUT	-
E4	G2	M3	G3	PG9	I/O	TT	(1)	TRACED7, UART5_TX, TIM5_CH4, LCD_G3, DCMI_D3/ PSSI_D3/DCMIPP_D3, EVENTOUT	-
E5	F5	M4	H3	PG10	I/O	TT	(1)	TRACED8, HDP0, UART5_RX, TIM8_CH4N, LCD_G4, DCMI_D4/PSSI_D4/DCMIPP_D4, EVENTOUT	-
E6	F7	N2	J4	PG11	I/O	TT	(1)	TRACED9, HDP1, SPI7_MOSI, FDCAN1_TX, TIM8_CH4, LCD_G5, DCMI_D5/PSSI_D5/DCMIPP_D5, EVENTOUT	-

Pin number				Pin name (function after reset)	Pin type	I/O structur e	Notes	Alternate functions	Additional functions
TFBGA361	VFBGA361	VFBGA424	TFBGA436						
G4	H7	N3	J3	PG12	I/O	TT	(1)	TRACED10, HDP2, SPI7_MISO, FDCAN1_RX, TIM8_CH1N, LCD_G6, DCMI_D6/PSSI_D6/DCMIPP_D6, EVENTOUT	-
H5	J7	P1	K5	PG13	I/O	TT_f	(1)	TRACED11, HDP3, SPI7_SCK, MDF1_CK16, TIM8_CH2N, I2C1_SCL, I3C1_SCL, LCD_G7, DCMI_D7/PSSI_D7/ DCMIPP_D7, EVENTOUT	-
E3	H5	N1	G4	PG14	I/O	TT	(1)	TRACED12, HDP4, SPI7_RDY, MDF1_CK15, USART1_TX, TIM8_BKIN2, LCD_B1, DCMI_D9/PSSI_D9/DCMIPP_D9, EVENTOUT	-
C6	E4	K6	H4	PG15	I/O	TT	(1)	TRACED13, HDP5, LPTIM1_CH2, MDF1_SDI5, USART1_RX, TIM8_ETR, LCD_B2, DCMI_D10/PSSI_D10/ DCMIPP_D10, EVENTOUT	-
R1	R1	AG2	V3	OSC_IN	I	A	(13)	-	OSC_IN
R2	R2	AF2	V2	OSC_OUT	I/O	A	(14)	-	OSC_OUT
P13	L14	AC17	V13	PH2	I/O	TT_f	(1)	LPTIM2_CH1, SPI7_RDY, SPDIFRX1_IN3, SAI1_SCK_B, I3C3_SDA, TIM16_CH1, I2C5_SDA, I2C3_SDA, ETH3_RGMII_GTX_CLK, EVENTOUT	-
T12	K14	AE19	W14	PH3	I/O	TT_f	(1)	SPI1_NSS/I2S1_WS, UART7_RX, TIM17_CH1N, TIM5_CH3, I2C7_SCL, ETH3_RGMII_TXD3, EVENTOUT	-
R13	G12	AB16	AB15	PH4	I/O	TT	(1)	UART7_TX, TIM17_BKIN, TIM5_CH2, LCD_R0, USB3DR_OVRCUR, USBH_HS_OVRCUR, ETH1_PTP_AUX_TS, ETH3_PPS_OUT, EVENTOUT	BOOTFAILN
R14	M9	AG18	AA15	PH5	I/O	TT	(1)	SAI2_FS_A, UART8_CTS, TIM2_CH1, UART7_RX, LCD_G1, USB3DR_VBUSEN, USBH_HS_VBUSEN, ETH2_PTP_AUX_TS, EVENTOUT	WKUP2
R12	L15	AF19	AA14	PH6	I/O	TT_f	(1)	LPTIM2_IN2, SAI1_MCLK_B, I3C3_SCL, TIM16_CH1N, I2C5_SCL, I2C3_SCL, I2C1_SMBA, ETH3_RGMII_TXD2, EVENTOUT	-
U10	L12	AE16	T13	PH7	I/O	TT_f	(1)	SPI1_MOSI/I2S1_SDO, UART4_TX, UART7_RTS/ UART7_DE, TIM17_CH1, TIM5_CH4, I2C7_SDA, ETH3_RGMII_RXD2, EVENTOUT	-
U11	M12	AD16	U14	PH8	I/O	TT	(1)	SPI1_MISO/I2S1_SDI, SPDIFRX1_IN3, UART4_RX, UART7_CTS, TIM5_CH1, I2C3_SMBA, I2C5_SMBA, ETH3_RGMII_RXD3, EVENTOUT	-
T8	W8	AA13	AB12	PH9	I/O	TT_a	(1)	SPI6_NSS, SAI3_MCLK_A, USART6_RX, TIM15_CH1N, ETH1_RGMII_CLK125, ETH1_MII_RX_ER, EVENTOUT	ADC3_INP4



Pin number				Pin name (function after reset)	Pin type	I/O structur e	Notes	Alternate functions	Additional functions
TFBGA361	VFBGA361	VFBGA424	TFBGA436						
W9	U10	AF14	U11	PH10	I/O	TT_a	(1)	SPI1_SCK/I2S1_CK, SPI6_MOSI, SAI3_SCK_A, TIM15_CH1, ETH2_MDC, ETH1_MII_TXD2/ ETH1_RGMII_TXD2, EVENTOUT	ADC3_INP8, ADC3_INN4
W8	T11	AE14	T11	PH11	I/O	TT_a	(1)	SPI6_MISO, SAI3_FS_A, TIM15_CH2, ETH2_MDIO, ETH1_MII_TXD3/ETH1_RGMII_TXD3, EVENTOUT	-
V7	V8	AF13	AA11	PH12	I/O	TT	(1)	SPI3_NSS/I2S3_WS, SPI6_MISO, TIM10_CH1, ETH1_MII_RXD2/ETH1_RGMII_RXD2, EVENTOUT	-
W7	U9	AG13	AB11	PH13	I/O	TT	(1)	SPI3_SCK/I2S3_CK, SPI6_MOSI, TIM15_BKIN, TIM11_CH1, ETH1_MII_RXD3/ETH1_RGMII_RXD3, EVENTOUT	-
D6	H1	L7	G5	PI0	I/O	TT	(1)	TRACED14, HDP6, LPTIM1_IN1, SAI4_MCLK_B, USART1_CK, TIM8_BKIN, LCD_B3, DCMI_D11/PSSI_D11/ DCMIPP_D11, EVENTOUT	-
F4	J9	M6	H6	PI1	I/O	TT_f	(1)	TRACED15, HDP7, SPI7_NSS, MDF1_SDI6, TIM8_CH3N, I2C1_SDA, I3C1_SDA, LCD_B4, DCMI_D8/PSSI_D8/ DCMIPP_D8, EVENTOUT	-
J6	J5	N5	J5	PI2	I/O	TT	(1)	LPTIM1_ETR, SAI4_SCK_B, USART1_RTS/USART1_DE, TIM8_CH1, LCD_B5, DCMI_D13/PSSI_D13/DCMIPP_D13, EVENTOUT	-
H4	H9	N7	J6	PI3	I/O	TT	(1)	LPTIM1_IN2, SAI4_SD_B, USART1_CTS/USART1_NSS, TIM8_CH2, LCD_B6, PSSI_D14/DCMIPP_D14, EVENTOUT	-
H6	G1	P6	K6	PI4	I/O	TT	(1)	LPTIM1_CH1, SAI4_FS_B, TIM8_CH3, LCD_B7, PSSI_D15/DCMIPP_D15, EVENTOUT	-
D5	K7	K4	H5	PI5	I/O	TT	(1)	SPI5_MOSI, SPI1_MOSI/I2S1_SDO, UART5_CTS, UART9_RX, TIM5_CH2, LCD_DE, DCMI_D1/PSSI_D1/ DCMIPP_D1, EVENTOUT	-
C5	D4	J3	J7	PI6	I/O	TT	(1)	MCO1, USART3_TX, TIM2_ETR, TIM3_CH1, LCD_VSYNC, EVENTOUT	WKUP4
C4	D5	J5	L6	PI7	I/O	TT	(1)	USART3_RX, TIM2_CH1, TIM3_CH2, LCD_HSYNC, EVENTOUT	-
N5	N4	U5	M6	PI8	I/O	TT	(6)	EVENTOUT	RTC_OUT2/ RTC_LSCO, TAMP_IN1/ TAMP_OUT2



Pin number				Pin name (function after reset)	Pin type	I/O structur e	Notes	Alternate functions	Additional functions
TFBGA361	VFBGA361	VFBGA424	TFBGA436						
J4	K6	U1	K7	PI9	I/O	TT	(1)	SPI7_MOSI, SPI2_MOSI/I2S2_SDO, FDCAN2_TX, UART9_CTS, TIM16_BKIN, SDVSEL2, FMC_NWAIT, DSI_TE, LCD_B0, EVENTOUT	-
C12	B11	D16	G16	PI10	I/O	TT	(1)	SAI1_SCK_A, SPI1_SCK/I2S1_CK, SPDIFRX1_IN0, FDCAN2_RX, MDF1_CCK0, TIM4_CH1, SDVSEL1, FMC_AD12/FMC_D12, DSI_TE, EVENTOUT	-
C16	F12	B27	E18	PI11	I/O	TT	(1)	I2S2_MCK, UART8_TX, UART9_RTS/UART9_DE, TIM4_CH3, SDMMC3_D3, FMC_AD15/FMC_D15, EVENTOUT	-
-	-	-	G1	PI12	I/O	TT	(1)	SPI4_NSS, FDCAN3_RX, TIM11_CH1, FMC_A2, LCD_G0, EVENTOUT	-
-	-	-	G2	PI13	I/O	TT	(1)	SPI4_MOSI, FDCAN2_RX, TIM10_CH1, FMC_A3, LCD_G1, EVENTOUT	-
-	-	-	G13	PI14	I/O	TT	(1)	SPI2_NSS/I2S2_WS, MDF1_SDI1, TIM20_CH3, TIM1_CH3N, FMC_NWAIT, FMC_AD10/FMC_D10, DCM1_D4/PSSI_D4/DCMIPP_D4, EVENTOUT	-
-	-	-	E11	PI15	I/O	TT	(1)	I2S2_MCK, UART4_RX, MDF1_CK12, TIM20_BKIN2, TIM1_BKIN2, SDVSEL1, SDMMC3_CDIR, DCM1_D9/PSSI_D9/DCMIPP_D9, EVENTOUT	-
-	-	-	U15	PJ0	I/O	TT	(1)	SPI5_MOSI, PCIE_CLKREQN, SAI4_D2, USART6_CTS/USART6_NSS, USBH_HS_VBUSEN, ETH2_PTP_AUX_TS, FMC_A11, ETH3_PPS_OUT, EVENTOUT	-
-	-	-	Y3	PJ1	I/O	TT_f	(1)	USART6_RX, TIM8_CH1N, I2C1_SCL, I3C1_SCL, FMC_A7, DCM1_VSYNC/PSSI_RDY/DCMIPP_VSYNC, EVENTOUT	-
-	-	-	AB3	PJ2	I/O	TT	(1)	SAI2_SD_B, UART9_RTS/UART9_DE, TIM8_CH4N, USBH_HS_OVRCUR, FMC_A14, EVENTOUT	-
-	-	-	AA3	PJ3	I/O	TT	(1)	SPI5_NSS, SAI2_FS_A, SAI4_D1, USART6_RTS/USART6_DE, TIM8_CH3, FMC_A10, EVENTOUT	-
-	-	-	W3	PJ4	I/O	TT	(1)	SAI2_FS_B, MDF1_CCK1, USART6_CK, TIM8_CH4, I2C2_SMBA, I2C5_SMBA, EVENTOUT	-
-	-	-	V4	PJ5	I/O	TT	(1)	SPI5_MISO, SAI2_SCK_B, SAI4_CK1, USART6_TX, TIM8_CH1, FMC_A8, EVENTOUT	-
-	-	-	U5	PJ6	I/O	TT	(1)	SPI7_MOSI, SAI4_SD_A, USART2_CK, TIM20_CH1N, TIM1_CH1, I2C6_SMBA, DCM1_D7/PSSI_D7/DCMIPP_D7, EVENTOUT	-



Pin number				Pin name (function after reset)	Pin type	I/O structur e	Notes	Alternate functions	Additional functions
TFBGA361	VFBGA361	VFBGA424	TFBGA436						
-	-	-	W2	PJ7	I/O	TT	(1)	SPI5_MISO, SAI2_MCLK_B, SAI4_D3, USART6_CK, TIM8_CH2N, I2C1_SMBA, FMC_A12, DCM1_D0/PSSI_D0/ DCMIPP_D0, EVENTOUT	-
-	-	-	M2	PJ8	I/O	TT	(1)	SPI5_SCK, SAI4_CK2, USART6_RX, TIM8_CH2, FMC_A9, PSSI_D14/DCMIPP_D14, EVENTOUT	-
-	-	-	M1	PJ9	I/O	TT	(1)	SPI4_RDY, TIM12_CH1, TIM8_BKIN, FMC_A5, DCMI_PIXCLK/PSSI_PDCK/DCMIPP_PIXCLK, EVENTOUT	-
-	-	-	M3	PJ10	I/O	TT_f	(1)	TIM12_CH2, TIM8_ETR, I2C1_SDA, I3C1_SDA, FMC_A6, DCMI_HSYNC/PSSI_DE/DCMIPP_HSYNC, EVENTOUT	-
-	-	-	M5	PJ11	I/O	TT	(1)	SPI5_RDY, SAI2_SCK_A, SAI4_D4, UART9_CTS, TIM8_CH3N, FMC_A13, DCM1_D12/PSSI_D12/ DCMIPP_D12, EVENTOUT	-
-	-	-	L2	PJ12	I/O	TT_f	(1)	SAI2_SD_A, UART9_RX, FDCAN1_TX, TIM8_BKIN2, I2C2_SCL, I3C2_SCL, FMC_A15, DCM1_D13/PSSI_D13/ DCMIPP_D13, EVENTOUT	-
-	-	-	M4	PJ13	I/O	TT_f	(1)	SAI2_MCLK_A, UART9_TX, FDCAN1_RX, TIM10_CH1, I2C2_SDA, I3C2_SDA, PSSI_D15/DCMIPP_D15, EVENTOUT	-
-	-	-	L3	PJ14	I/O	TT	(1)	SPI4_SCK, FDCAN3_TX, FMC_A1, LCD_R0, EVENTOUT	-
-	-	-	K2	PJ15	I/O	TT	(1)	TRACED7, HDP7, SPI4_MISO, FDCAN2_TX, TIM11_CH1, FMC_A4, LCD_R1, EVENTOUT	-
-	-	-	F12	PK0	I/O	TT	(1)	SPI2_MISO/I2S2_SDI, SPDIFRX1_IN2, MDF1_CCK0, TIM20_ETR, TIM1_ETR, SDMMC3_D123DIR, FMC_AD11/ FMC_D11, DCM1_D11/PSSI_D11/DCMIPP_D11, EVENTOUT	-
-	-	-	E12	PK1	I/O	TT	(1)	SPI2_MOSI/I2S2_SDO, MDF1_SDI2, TIM20_BKIN, TIM1_BKIN, SDVSEL2, SDMMC3_D0DIR, FMC_AD13/ FMC_D13, DCM1_D10/PSSI_D10/DCMIPP_D10, EVENTOUT	-
-	-	-	F13	PK2	I/O	TT_f	(1)	SPI7_NSS, SAI4_SCK_A, USART1_RTS/USART1_DE, TIM20_CH2, TIM1_CH2N, I2C6_SDA, FMC_NCE3, DCMI_D6/PSSI_D6/DCMIPP_D6, EVENTOUT	-
-	-	-	F15	PK3	I/O	TT	(1)	SPI7_RDY, MDF1_CK11, TIM20_CH3N, TIM1_CH3, FMC_AD8/FMC_D8, DCM1_D3/PSSI_D3/DCMIPP_D3, FMC_NCE4, EVENTOUT	-



Pin number				Pin name (function after reset)	Pin type	I/O structur e	Notes	Alternate functions	Additional functions
TFBGA361	VFBGA361	VFBGA424	TFBGA436						
-	-	-	F11	PK4	I/O	TT	(1)	SPI7_MISO, UART4_TX, SAI4_FS_A, TIM20_CH1, TIM1_CH1N, SDMMC3_CKIN, FMC_AD9/FMC_D9, DCMI_D8/PSSI_D8/DCMIPP_D8, EVENTOUT	-
-	-	-	F14	PK5	I/O	TT_f	(1)	SPI2_RDY, MDF1_CKIO, USART1_TX, TIM20_CH4N, TIM1_CH4, I2C5_SCL, FMC_AD5/FMC_D5, DCMI_D1/ PSSI_D1/DCMIPP_D1, EVENTOUT	-
-	-	-	G12	PK6	I/O	TT_f	(1)	SPI7_SCK, SAI4_MCLK_A, USART1_CTS/USART1_NSS, TIM20_CH2N, TIM1_CH2, I2C6_SCL, FMC_AD14/ FMC_D14, FMC_AD7/FMC_D7, DCMI_D5/PSSI_D5/ DCMIPP_D5, EVENTOUT	-
-	-	-	G14	PK7	I/O	TT_f	(1)	MDF1_SDI0, USART1_RX, TIM20_CH4, TIM1_CH4N, I2C5_SDA, FMC_NCE4, FMC_AD6/FMC_D6, DCMI_D2/ PSSI_D2/DCMIPP_D2, EVENTOUT	-
N2	P2	AB4	T6	PWR_CPU_ON	O	TT	(1)	-	-
-	P1	AF1	U4	PWR_LP	O	TT	(1)	-	-
P3	U3	AD3	T5	PWR_ON	O	TT	(1)	-	-
L5	L5	T4	N5	PZ0	I/O	TT_f	(15)	LPTIM3_IN1, SPI8_MOSI, TIM8_CH1, LPUART1_TX, LPTIM5_OUT, I2C8_SDA, LPTIM3_CH2, I3C4_SDA, EVENTOUT	CPU3_SWDIO, TAMP_OUT3
M3	M4	U7	N6	PZ1	I/O	TT_f	(15)	LPTIM3_CH1, SPI8_MISO, TIM8_CH2, LPUART1_RX, LPTIM5_ETR, I2C8_SCL, I2C8_SMBA, I3C4_SCL, EVENTOUT	CPU3_SWCLK, TAMP_OUT5
L3	M3	W5	P4	PZ2	I/O	TT_f	(15)	LPTIM3_CH1, SPI8_SCK, ADF1_CCK0, LPUART1_RTS/ LPUART1_DE, LPTIM4_ETR, I2C8_SCL, I3C4_SCL, EVENTOUT	TAMP_IN3/ TAMP_OUT7
M5	M5	Y6	N4	PZ3	I/O	TT_f	(15)	DBTRGI, DBTRGO, LPTIM3_ETR, SPI8_NSS, MDF1_SDI5, ADF1_SDI0, LPUART1_CTS, LPTIM4_IN1, I2C8_SDA, LPTIM4_CH2, I3C4_SDA, EVENTOUT	TAMP_OUT4
L4	L4	V3	R5	PZ4	I/O	TT_f	(15)	DBTRGI, DBTRGO, MCO2, SPI8_RDY, MDF1_CCK1, ADF1_CCK1, LPUART1_RX, LPTIM4_CH1, I2C8_SCL, I3C4_SCL, EVENTOUT	TAMP_IN5/ TAMP_OUT6
M4	N3	R5	P5	PZ5	I/O	TT	(15)	MCO1, LPTIM3_ETR, SPI8_SCK, ADF1_CCK0, LPUART1_RTS/LPUART1_DE, LPTIM5_IN1, LPTIM4_CH2, EVENTOUT	TAMP_OUT8
K4	K3	V4	R6	PZ6	I/O	TT	(15)	DBTRGI, DBTRGO, SPI8_NSS, TIM8_CH3, ADF1_SDI0, LPUART1_CTS, LPTIM5_OUT, LPTIM4_CH2, EVENTOUT	TAMP_IN8



Pin number				Pin name (function after reset)	Pin type	I/O structur e	Notes	Alternate functions	Additional functions
TFBGA361	VFBGA361	VFBGA424	TFBGA436						
L2	L1	V2	P2	PZ7	I/O	TT	(1)	SPI8_MOSI, MDF1_CCK1, ADF1_CCK1, LPUART1_TX, LPTIM5_IN1, LPTIM3_CH2, EVENTOUT	-
K3	L3	V1	P3	PZ8	I/O	TT	(1)	LPTIM3_IN1, SPI8_MISO, MDF1_SDI5, ADF1_SDI0, LPUART1_RX, LPTIM4_CH1, I2C8_SMBA, LPTIM5_ETR, EVENTOUT	-
L1	L2	U3	N3	PZ9	I/O	TT_f	(1)	MCO2, SPI8_RDY, MDF1_CK15, LPUART1_TX, LPTIM4_ETR, I2C8_SDA, LPTIM3_CH2, I3C4_SDA, EVENTOUT	-
V15	V11	AG21	AB16	USBH_HS_DM	A	A	-	-	-
V16	V12	AG22	Y17	USB3DR_DM	A	A	-	-	-
W15	W11	AF21	AA16	USBH_HS_DP	A	A	-	-	-
W16	W12	AF22	W17	USB3DR_DP	A	A	-	-	-
U16	T15	AE20	V16	USBH_HS_TXRT UNE	A	A	-	-	-
T16	R15	AF23	V17	USB3DR_TXRTU NE	A	A	-	-	-
-	T12	AD20	U16	DNU	-	-	-	-	-
T14	W15	AF27	Y20	COMBOPHY_REX T	A	A	-	-	-
W12	V16	AF25	AB20	COMBOPHY_RX1 N	A	A	-	-	-
V12	U16	AG25	AA20	COMBOPHY_RX1 P	A	A	-	-	-
W11	V15	AD24	AB19	COMBOPHY_TX1 N	A	A	-	-	-
V11	U15	AE24	AA19	COMBOPHY_TX1 P	A	A	-	-	-
T1	U1	AF6	W5	VREF-	A	A	-	-	-
T2	U2	AG6	Y5	VREF+	A	A	-	-	-
L6	R6	T6	P7	VBAT	S	-	-	-	-
L8	H8	1L1	M9	VDD	S	-	-	-	-
L10	K8	1L3	N8	VDD	S	-	-	-	-





Pin number				Pin name (function after reset)	Pin type	I/O structur e	Notes	Alternate functions	Additional functions
TFBGA361	VFBGA361	VFBGA424	TFBGA436						
M9	L6	1L5	P9	VDD	S	-	-	-	-
N8	-	1M2	P11	VDD	S	-	-	-	-
N10	-	1M4	R8	VDD	S	-	-	-	-
-	-	-	R10	VDD	S	-	-	-	-
N6	N6	AB6	V7	VDDA18ADC	S	-	-	-	-
D3	D3	G7	F6	VDDA18CSI	S	-	-	-	-
J16	D16	F20	J16	VDDA18DDR	S	-	-	-	-
B7	C5	G9	C7	VDDA18DSI	S	-	(2)	-	-
G3	J4	G5	C4	VDDA18LVDS	S	-	(2)	-	-
H15	E15	G19	G17	VDDA18PLL1	S	-	-	-	-
F7	H6	1E1	L8	VDDA18PLL3	S	-	-	-	-
F8	G6	H6	K8	VDDA18PLL2	S	-	-	-	-
T15	R13	AE23	W18	VDDA18COMBOP HY	S	-	-	-	-
R17	T13	AD22	U17	VDDA18USB	S	-	-	-	-
G8	G10	1C1	H7	VDDCORE	S	-	-	-	-
G10	H11	1C3	H9	VDDCORE	S	-	-	-	-
H7	J10	1C5	J8	VDDCORE	S	-	-	-	-
H9	K11	1D2	J10	VDDCORE	S	-	-	-	-
J8	L10	1D4	K9	VDDCORE	S	-	-	-	-
J10	N8	1E3	K11	VDDCORE	S	-	-	-	-
K7	N10	1E5	L10	VDDCORE	S	-	-	-	-
K9	-	1F2	-	VDDCORE	S	-	-	-	-
-	-	1F4	-	VDDCORE	S	-	-	-	-
G12	E13	F18	H11	VDDCPU	S	-	-	-	-
H11	G13	G15	H13	VDDCPU	S	-	-	-	-
H13	J13	G17	H15	VDDCPU	S	-	-	-	-
J12	L13	1C7	J12	VDDCPU	S	-	-	-	-



Pin number				Pin name (function after reset)	Pin type	I/O structur e	Notes	Alternate functions	Additional functions
TFBGA361	VFBGA361	VFBGA424	TFBGA436						
K13	M13	1C9	J14	VDDCPU	S	-	-	-	-
-	-	1D6	K13	VDDCPU	S	-	-	-	-
-	-	1D8	L12	VDDCPU	S	-	-	-	-
-	-	1D10	-	VDDCPU	S	-	-	-	-
G14	F16	1C11	K15	VDDQDDR	S	-	-	-	-
J14	J16	1D12	L14	VDDQDDR	S	-	-	-	-
K15	L16	1E11	L16	VDDQDDR	S	-	-	-	-
L14	M16	M22	M15	VDDQDDR	S	-	-	-	-
L16	P16	1F12	N14	VDDQDDR	S	-	-	-	-
M15	T16	N21	P15	VDDQDDR	S	-	-	-	-
N14	-	R21	R14	VDDQDDR	S	-	-	-	-
N16	-	1L11	R16	VDDQDDR	S	-	-	-	-
-	-	1M12	-	VDDQDDR	S	-	-	-	-
F13	F8	D18	F10	VDDIO2	S	-	-	-	-
-	-	E17	-	VDDIO2	S	-	-	-	-
K11	M11	1G7	M11	VDDGPU	S	-	(2)	-	-
L12	N14	1G9	M13	VDDGPU	S	-	(2)	-	-
M11	P11	1H6	N10	VDDGPU	S	-	(2)	-	-
M13	P13	1H8	N12	VDDGPU	S	-	(2)	-	-
N12	R10	1H10	P13	VDDGPU	S	-	(2)	-	-
-	-	1L7	R12	VDDGPU	S	-	(2)	-	-
-	-	1L9	-	VDDGPU	S	-	(2)	-	-
-	-	1M6	-	VDDGPU	S	-	(2)	-	-
-	-	1M8	-	VDDGPU	S	-	(2)	-	-
-	-	1M10	-	VDDGPU	S	-	(2)	-	-
F11	E10	D10	F8	VDDIO3	S	-	-	-	-
F12	F10	E11	F9	VDDIO3	S	-	-	-	-



Pin number				Pin name (function after reset)	Pin type	I/O structur e	Notes	Alternate functions	Additional functions
TFBGA361	VFBGA361	VFBGA424	TFBGA436						
F9	D6	E9	G8	VDDIO4	S	-	-	-	-
F10	E6	G11	G9	VDDIO4	S	-	-	-	-
F14	D10	D14	G10	VDDIO1	S	-	-	-	-
-	-	E13	-	VDDIO1	S	-	-	-	-
-	U11	AE22	T16	VDD33UCPD	S	-	-	-	-
B1	B1	E5	D5	VDDCSI	S	-	-	-	-
A7	C6	F8	F7	VDDDSI	S	-	(2)	-	-
F3	J1	F4	G7	VDDLVD	S	-	(2)	-	-
P15	U12	AC21	V18	VDDPCIECLK	S	-	-	-	-
U14	T14	AB20	V19	VDDCOMBOPHY	S	-	-	-	-
R15	W16	AB22	Y19	VDDCOMBOPHY TX	S	-	-	-	-
M6	N5	AB3	R7	VDDA18AON	S	-	-	-	-
R16	R14	AE21	Y16	VDD33USB	S	-	-	-	-
A1	A1	A1	AB1	VSS	S	-	-	-	-
A19	A19	A2	AB22	VSS	S	-	-	-	-
G7	C3	A27	A1	VSS	S	-	-	-	-
G9	C7	AC11	A22	VSS	S	-	-	-	-
G11	D13	AG1	E5	VSS	S	-	-	-	-
G13	E8	AG27	G6	VSS	S	-	-	-	-
G15	E16	C6	H8	VSS	S	-	-	-	-
H8	F6	C10	H10	VSS	S	-	-	-	-
H10	F11	E7	H12	VSS	S	-	-	-	-
H12	F13	F3	H14	VSS	S	-	-	-	-
H14	G8	F12	H16	VSS	S	-	-	-	-
H16	G11	F14	J9	VSS	S	-	-	-	-
J7	H10	F16	J11	VSS	S	-	-	-	-
J9	H13	1A1	J13	VSS	S	-	-	-	-



Pin number				Pin name (function after reset)	Pin type	I/O structur e	Notes	Alternate functions	Additional functions
TFBGA361	VFBGA361	VFBGA424	TFBGA436						
J11	H16	1A3	J15	VSS	S	-	-	-	-
J13	J6	1A5	K10	VSS	S	-	-	-	-
J15	J8	1A7	K12	VSS	S	-	-	-	-
K8	J11	1A9	K14	VSS	S	-	-	-	-
K10	J14	1A11	L9	VSS	S	-	-	-	-
K12	K4	J7	L11	VSS	S	-	-	-	-
K14	K5	1B2	L13	VSS	S	-	-	-	-
K16	K10	1B4	L15	VSS	S	-	-	-	-
L7	K13	1B6	M10	VSS	S	-	-	-	-
L9	K16	1B8	M12	VSS	S	-	-	-	-
L11	L8	1B10	M14	VSS	S	-	-	-	-
L13	L11	1B12	M20	VSS	S	-	-	-	-
L15	M10	K3	N7	VSS	S	-	-	-	-
M8	N11	1E7	N9	VSS	S	-	-	-	-
M10	N13	1E9	N11	VSS	S	-	-	-	-
M12	N16	1F6	N13	VSS	S	-	-	-	-
M14	P8	1F8	N15	VSS	S	-	-	-	-
M16	P10	1F10	P8	VSS	S	-	-	-	-
N9	P14	1G1	P10	VSS	S	-	-	-	-
N11	R11	1G3	P12	VSS	S	-	-	-	-
N13	R16	1G5	P14	VSS	S	-	-	-	-
N15	R18	1G11	R9	VSS	S	-	-	-	-
W1	W1	1H2	R11	VSS	S	-	-	-	-
W19	W19	1H4	R13	VSS	S	-	-	-	-
-	-	1H12	R15	VSS	S	-	-	-	-
-	-	1J1	T4	VSS	S	-	-	-	-
-	-	1J3	U6	VSS	S	-	-	-	-
-	-	1J5	W8	VSS	S	-	-	-	-

Pin number				Pin name (function after reset)	Pin type	I/O structur e	Notes	Alternate functions	Additional functions
TFBGA361	VFBGA361	VFBGA424	TFBGA436						
-	-	1J7	W16	VSS	S	-	-	-	-
-	-	1J9	W19	VSS	S	-	-	-	-
-	-	1J11	-	VSS	S	-	-	-	-
-	-	1K2	-	VSS	S	-	-	-	-
-	-	1K4	-	VSS	S	-	-	-	-
-	-	1K6	-	VSS	S	-	-	-	-
-	-	1K8	-	VSS	S	-	-	-	-
-	-	1K10	-	VSS	S	-	-	-	-
-	-	1K12	-	VSS	S	-	-	-	-
-	-	V6	-	VSS	S	-	-	-	-
-	-	Y4	-	VSS	S	-	-	-	-
N7	P6	AC5	U7	VSSA	S	-	-	-	-
M7	M6	AC3	M7	VSSAON	S	-	-	-	-
K6	M8	R7	M8	V08CAP	A	-	-	-	-

1. Power supply is V_{DD} .
2. ball is DNU in some part numbers.
3. Power supply is V_{DD} - used in open drain with external pull-up.
4. Power supply is V_{DDIO4} .
5. Power supply is V_{DD} or V_{SW} - input only in V_{SW} .
6. Power supply is V_{SW} .
7. Power supply is V_{SW} - OSC32_IN pin is also used as digital input in LSE bypass mode and tied to GPIO PC14 input (for test purpose only).
8. Power supply is V_{SW} - OSC32_OUT pin is also tied to GPIO PC15 input (for test purpose only).
9. Power supply is $V_{DDA18AON}$, must be always connected at board level to $V_{DDA18AON}$.
10. Power supply is V_{DDIO3} .
11. Power supply is V_{DDIO1} .
12. Power supply is V_{DDIO2} .
13. Power supply is $V_{DDA18AON}$ - OSC_IN pin is also used as digital input in HSE bypass mode and tied to GPIO PH0 input (for test purpose only).
14. Power supply is $V_{DDA18AON}$ - OSC_OUT pin is also tied to GPIO PH1 input, used by Boot ROM to autodetect HSE bypass mode.
15. Power supply is V_{DD} or V_{SW} .



4.3 Alternate functions

Table 12. Alternate functions AF0 to AF7

Port		AF0	AF1	AF2	AF3	AF4	AF5	AF6	AF7
		DBG	DBG / HDP / LPTIM1/2 / RTC / SAI1 / SPI1 / I2S1 / SPI3 / I2S3 / SPI4/7/8 / SYS	HDP / I2S / LPTIM2/3 / SPDIFRX1 / SPI1 / I2S1 / SPI2 / I2S2 / SPI3 / I2S3 / SPI4/5/6/7 / SYS	I3C3 / LPTIM1/2 / SAI1/2/3/4 / SPDIFRX1 / SPI1 / I2S1 / SPI3 / I2S3 / SPI4/6/8 / UART4/8 / USART6	FDCAN2 / MDF1 / PCIE / SAI1/2/3/4 / SPDIFRX1 / SPI2 / I2S2 / TIM8 / UART4 / USART6	ADF1 / DSI / I3C3 / MDF1 / SAI2/4 / UART5/8 / USART1/6	FDCAN3 / I2C4/5 / LPUART1 / TIM14/17 / UART7/8/9 / USART1/2/3/6	FDCAN1/2/3 / LPTIM4/5 / TIM2/3/4/12/13/15/16/17/20
Port A	PA0	-	LPTIM1_CH2	SPI5_RDY	UART8_CTS	SAI2_MCLK_B	UART5_TX	USART3_TX	TIM3_ETR
	PA1	-	-	SPI6_MISO	-	SAI3_SD_A	USART1_RTS/ USART1_DE	USART6_CK	TIM4_CH2
	PA2	-	LPTIM2_IN1	SPI7_MISO	-	-	MDF1_SDI7	USART1_RX	-
	PA3	-	LPTIM2_ETR	SPI7_MOSI	-	-	MDF1_CK17	USART1_TX	-
	PA4	-	-	-	-	-	-	USART2_TX	FDCAN2_TX
	PA5	-	-	-	SPI4_MOSI	SAI2_MCLK_B	SAI2_SD_B	USART2_RTS/ USART2_DE	FDCAN2_RX
	PA6	-	-	-	SPI4_SCK	SAI2_FS_B	MDF1_SDI6	USART2_CK	TIM13_CH1
	PA7	-	-	AUDIOCLK	SPI6_RDY	PCIE_CLKREQN	MDF1_CCK0	USART1_CTS/ USART1_NSS	TIM4_ETR
	PA8	-	LPTIM2_CH2	SPI7_NSS	-	SAI1_FS_B	-	USART1_CK	-
	PA9	-	-	-	SPI4_NSS	SAI2_SCK_B	-	USART2_CTS/ USART2_NSS	LPTIM5_ETR
	PA10	-	-	-	SPI4_MISO	SAI2_SD_B	-	USART2_RX	LPTIM5_IN1
	PA11	-	SPI8_SCK	LPTIM2_CH1	-	SAI4_SD_B	MDF1_SDI4	-	-
	PA12	-	-	SPI6_MOSI	-	SAI3_FS_A	-	-	TIM4_CH1
	PA13	-	SPI8_RDY	I2S3_MCK	LPTIM2_ETR	-	MDF1_CK13	USART2_CTS/ USART2_NSS	-
	PA14	-	SPI8_NSS	LPTIM2_CH2	-	SAI4_FS_B	MDF1_CCK1	-	-
PA15	-	-	SPI3_MISO/ I2S3_SDI	-	-	-	USART2_RX	-	
Port B	PB0	-	-	SPI2_SCK/ I2S2_CK	-	-	-	USART1_CK	TIM16_CH1





Port		AF0	AF1	AF2	AF3	AF4	AF5	AF6	AF7
		DBG	DBG / HDP / LPTIM1/2 / RTC / SAI1 / SPI1 / I2S1 / SPI3 / I2S3 / SPI4/7/8 / SYS	HDP / I2S / LPTIM2/3 / SPDIFRX1 / SPI1 / I2S1 / SPI2 / I2S2 / SPI3 / I2S3 / SPI4/5/6/7 / SYS	I3C3 / LPTIM1/2 / SAI1/2/3/4 / SPDIFRX1 / SPI1 / I2S1 / SPI3 / I2S3 / SPI4/6/8 / UART4/8 / USART6	FDCAN2 / MDF1 / PCIE / SAI1/2/3/4 / SPDIFRX1 / SPI2 / I2S2 / TIM8 / UART4 / USART6	ADF1 / DSI / I3C3 / MDF1 / SAI2/4 / UART5/8 / USART1/6	FDCAN3 / I2C4/5 / LPUART1 / TIM14/17 / UART7/8/9 / USART1/2/3/6	FDCAN1/2/3 / LPTIM4/5 / TIM2/3/4/12/13/15/16/17/20
Port B	PB1	-	SPI3_NSS/ I2S3_WS	-	-	-	-	-	TIM16_CH1N
	PB2	-	-	SPI2_MOSI/ I2S2_SDO	-	-	MDF1_CK13	TIM17_BKIN	TIM16_BKIN
	PB3	-	-	SPI2_NSS/ I2S2_WS	-	-	MDF1_SDI3	-	-
	PB4	-	-	SPI2_RDY	UART4_CTS	SAI4_FS_B	MDF1_SDI4	TIM14_CH1	-
	PB5	-	-	I2S2_MCK	UART4_RTS/ UART4_DE	SAI4_SD_B	MDF1_CK14	-	-
	PB6	-	-	SPI2_MISO/ I2S2_SDI	UART4_RX	SAI4_SCK_B	-	-	-
	PB7	-	SPI3_SCK/ I2S3_CK	-	UART4_TX	SAI4_MCLK_B	-	-	-
	PB8	-	SPI3_MOSI/ I2S3_SDO	-	-	PCIE_CLKREQN	-	USART1_TX	TIM17_CH1
	PB9	-	SPI3_RDY	-	-	-	-	USART1_RTS/ USART1_DE	FDCAN1_TX
	PB10	-	SPI3_MISO/ I2S3_SDI	-	-	-	-	USART1_RX	TIM17_CH1N
	PB11	-	I2S3_MCK	-	-	-	-	USART1_CTS/ USART1_NSS	FDCAN1_RX
	PB12	-	-	-	-	-	UART8_CTS	-	TIM13_CH1
	PB13	-	-	SPI7_SCK	-	SAI1_SD_B	UART8_RX	-	-
	PB14	-	-	SPI2_SCK/ I2S2_CK	-	-	MDF1_CK17	UART9_RX	-
	PB15	-	LPTIM1_IN2	SPI5_SCK	UART8_RTS/ UART8_DE	SAI2_SD_B	UART5_RX	-	TIM3_CH2
Port C	PC0	-	LPTIM1_CH1	-	SPI6_SCK	SAI3_MCLK_B	USART6_TX	-	-
	PC1	-	-	SPI3_MOSI/ I2S3_SDO	-	-	-	USART2_TX	-



Port		AF0	AF1	AF2	AF3	AF4	AF5	AF6	AF7
		DBG	DBG / HDP / LPTIM1/2 / RTC / SAI1 / SPI1 / I2S1 / SPI3 / I2S3 / SPI4/7/8 / SYS	HDP / I2S / LPTIM2/3 / SPDIFRX1 / SPI1 / I2S1 / SPI2 / I2S2 / SPI3 / I2S3 / SPI4/5/6/7 / SYS	I3C3 / LPTIM1/2 / SAI1/2/3/4 / SPDIFRX1 / SPI1 / I2S1 / SPI3 / I2S3 / SPI4/6/8 / UART4/8 / USART6	FDCAN2 / MDF1 / PCIE / SAI1/2/3/4 / SPDIFRX1 / SPI2 / I2S2 / TIM8 / UART4 / USART6	ADF1 / DSI / I3C3 / MDF1 / SAI2/4 / UART5/8 / USART1/6	FDCAN3 / I2C4/5 / LPUART1 / TIM14/17 / UART7/8/9 / USART1/2/3/6	FDCAN1/2/3 / LPTIM4/5 / TIM2/3/4/12/13/15/16/17/20
Port C	PC2	-	SPI8_MOSI	LPTIM2_IN1	-	SAI4_MCLK_B	MDF1_SDI3	USART2_RTS/ USART2_DE	-
	PC3	-	LPTIM1_IN2	SPI3_NSS/ I2S3_WS	SPI6_RDY	-	-	USART6_RTS/ USART6_DE	FDCAN2_TX
	PC4	-	-	-	SPI6_MISO	SAI3_FS_B	-	-	-
	PC5	-	-	SPDIFRX1_IN1	-	-	MDF1_SDI1	-	-
	PC6	-	RTC_REFIN	SPDIFRX1_IN0	-	-	MDF1_CK1	-	-
	PC7	-	-	-	SPI6_MOSI	SAI3_SD_B	-	-	-
	PC8	-	LPTIM1_ETR	-	SPI6_NSS	SAI3_SCK_B	-	USART6_CTS/ USART6_NSS	-
	PC9	-	MCO1	SPI3_MISO/ I2S3_SDI	-	SAI2_SCK_A	-	-	TIM13_CH1
	PC10	-	-	SPI3_MOSI/ I2S3_SDO	-	-	-	-	LPTIM4_ETR
	PC11	-	LPTIM1_CH1	SPI5_NSS	-	SAI2_MCLK_A	UART5_RTS/ UART5_DE	USART3_RTS/ USART3_DE	TIM3_CH1
	PC12	-	LPTIM1_CH2	-	I3C3_SCL	-	MDF1_CK12	-	-
	PC13	-	-	-	-	-	-	-	-
	Port D	PD0	TRACECLK	HDP0	SPI7_RDY	SAI1_D2	-	SAI4_FS_A	UART7_RX
PD1		-	HDP1	SPI1_MISO/ I2S1_SDI	SAI1_CK2	-	SAI4_SD_A	UART7_RTS/ UART7_DE	TIM15_CH1
PD2		-	HDP2	SPI1_NSS/ I2S1_WS	SAI1_CK1	-	SAI4_SCK_A	UART7_CTS	TIM15_BKIN
PD3		-	SAI1_MCLK_A	SPI2_SCK/ I2S2_CK	SAI1_D1	-	SAI4_MCLK_A	UART7_TX	TIM15_CH1N
PD4		TRACED0	SPI4_MISO	HDP3	SAI1_D3	SAI1_SD_B	-	-	-
PD5		TRACED1	SPI4_NSS	HDP4	SAI1_D4	SAI1_FS_B	-	-	-
PD6		TRACED2	SPI4_MOSI	HDP5	-	SAI1_SCK_B	MDF1_SDI2	-	-

Port		AF0	AF1	AF2	AF3	AF4	AF5	AF6	AF7
		DBG	DBG / HDP / LPTIM1/2 / RTC / SAI1 / SPI1 / I2S1 / SPI3 / I2S3 / SPI4/7/8 / SYS	HDP / I2S / LPTIM2/3 / SPDIFRX1 / SPI1 / I2S1 / SPI2 / I2S2 / SPI3 / I2S3 / SPI4/5/6/7 / SYS	I3C3 / LPTIM1/2 / SAI1/2/3/4 / SPDIFRX1 / SPI1 / I2S1 / SPI3 / I2S3 / SPI4/6/8 / UART4/8 / USART6	FDCAN2 / MDF1 / PCIE / SAI1/2/3/4 / SPDIFRX1 / SPI2 / I2S2 / TIM8 / UART4 / USART6	ADF1 / DSI / I3C3 / MDF1 / SAI2/4 / UART5/8 / USART1/6	FDCAN3 / I2C4/5 / LPUART1 / TIM14/17 / UART7/8/9 / USART1/2/3/6	FDCAN1/2/3 / LPTIM4/5 / TIM2/3/4/12/13/15/16/17/20
Port D	PD7	TRACED3	SPI4_SCK	SPI1_RDY	-	SAI1_MCLK_B	MDF1_CK12	-	-
	PD8	TRACED4	SPI4_RDY	I2S1_MCK	SAI1_FS_A	UART4_CTS	MDF1_SDI1	-	-
	PD9	TRACED5	HDP6	SPI1_MOSI/ I2S1_SDO	SAI1_SD_A	UART4_RTS/ UART4_DE	MDF1_CK11	-	-
	PD10	TRACED6	HDP7	-	SAI1_SCK_A	UART4_RX	MDF1_SDI0	I2C4_SDA	-
	PD11	TRACED7	-	SPI1_SCK/ I2S1_CK	SAI1_MCLK_A	UART4_TX	MDF1_CK10	I2C4_SCL	-
	PD12	-	SPI7_MISO	SPI2_MISO/ I2S2_SDI	SPDIFRX1_IN2	-	UART8_RTS/ UART8_DE	-	-
	PD13	-	-	SPI2_NSS/ I2S2_WS	-	-	MDF1_SDI7	UART9_TX	-
	PD14	-	-	I2S1_MCK	-	-	-	-	FDCAN1_RX
	PD15	-	SPI1_RDY	-	-	-	DSI_TE	I2C5_SDA	FDCAN1_TX
Port E	PE0	TRACED2	LPTIM2_CH1	SPI1_SCK/ I2S1_CK	SPI3_RDY	-	-	USART3_CK	-
	PE1	TRACED3	LPTIM2_CH2	I2S1_MCK	I2S3_MCK	-	-	USART3_RX	-
	PE2	-	LPTIM2_ETR	SPI1_MISO/ I2S1_SDI	SPI3_MOSI/ I2S3_SDO	SAI1_SCK_B	-	-	-
	PE3	TRACECLK	-	SPI1_RDY	SPI3_SCK/ I2S3_CK	SAI1_MCLK_B	-	USART3_TX	-
	PE4	TRACED0	LPTIM2_IN1	SPI1_MOSI/ I2S1_SDO	SPI3_MISO/ I2S3_SDI	SAI1_SD_B	-	USART3_CTS/ USART3_NSS	FDCAN1_TX
	PE5	TRACED1	LPTIM2_IN2	SPI1_NSS/ I2S1_WS	SPI3_NSS/ I2S3_WS	SAI1_FS_B	-	USART3_RTS/ USART3_DE	FDCAN1_RX
	PE6	-	SPI4_RDY	-	-	SPDIFRX1_IN2	-	USART1_TX	-
	PE7	-	-	-	SAI4_D4	SPDIFRX1_IN3	-	USART1_RX	-
	PE8	-	SPI4_MOSI	-	SAI4_CK1	SAI4_MCLK_A	MDF1_CK10	-	-
	PE9	-	SPI4_MISO	-	SAI4_D2	SAI4_FS_A	-	USART1_CK	-



Port		AF0	AF1	AF2	AF3	AF4	AF5	AF6	AF7
		DBG	DBG / HDP / LPTIM1/2 / RTC / SAI1 / SPI1 / I2S1 / SPI3 / I2S3 / SPI4/7/8 / SYS	HDP / I2S / LPTIM2/3 / SPDIFRX1 / SPI1 / I2S1 / SPI2 / I2S2 / SPI3 / I2S3 / SPI4/5/6/7 / SYS	I3C3 / LPTIM1/2 / SAI1/2/3/4 / SPDIFRX1 / SPI1 / I2S1 / SPI3 / I2S3 / SPI4/6/8 / UART4/8 / USART6	FDCAN2 / MDF1 / PCIE / SAI1/2/3/4 / SPDIFRX1 / SPI2 / I2S2 / TIM8 / UART4 / USART6	ADF1 / DSI / I3C3 / MDF1 / SAI2/4 / UART5/8 / USART1/6	FDCAN3 / I2C4/5 / LPUART1 / TIM14/17 / UART7/8/9 / USART1/2/3/6	FDCAN1/2/3 / LPTIM4/5 / TIM2/3/4/12/13/15/16/17/20
Port E	PE10	-	SPI4_SCK	-	SAI4_D1	SAI4_SD_A	-	USART1_CTS/ USART1_NSS	-
	PE11	-	-	SPI7_SCK	SAI4_D3	SAI1_FS_A	-	-	TIM15_CH2
	PE12	-	SPI4_NSS	-	SAI4_CK2	SAI4_SCK_A	MDF1_SDI0	USART1_RTS/ USART1_DE	-
	PE13	-	-	SPI7_MISO	-	SAI1_SD_A	-	-	TIM15_CH1
	PE14	-	-	SPI7_NSS	-	SAI1_MCLK_A	MDF1_CK16	-	TIM15_BKIN
	PE15	-	-	SPI7_MOSI	-	SAI1_SCK_A	MDF1_SDI6	-	TIM15_CH1N
Port F	PF0	-	-	SPI3_SCK/ I2S3_CK	-	-	-	-	FDCAN2_RX
	PF1	-	SPI8_MISO	LPTIM2_IN2	-	SAI4_SCK_B	MDF1_CK14	USART2_CK	-
	PF2	-	-	SPI3_RDY	-	-	-	I2C4_SMBA	-
	PF3	-	-	-	UART8_RX	SAI2_SCK_B	MDF1_CCK0	-	TIM3_CH4
	PF4	-	RTC_OUT2	SPI6_NSS	-	SAI3_SCK_A	-	USART6_RX	TIM4_CH4
	PF5	-	-	SPI6_SCK	-	SAI3_MCLK_A	-	USART6_TX	TIM4_CH3
	PF6	-	RTC_OUT2	-	SAI3_MCLK_B	-	-	USART6_CK	TIM12_CH1
	PF7	-	-	SPDIFRX1_IN1	SPI6_SCK	SAI3_SD_A	-	-	TIM2_ETR
	PF8	-	RTC_REFIN	-	SAI3_SCK_B	-	-	USART3_RX	TIM12_CH2
	PF9	-	-	-	SAI3_SD_B	SAI2_SD_A	MDF1_SDI5	UART8_RTS/ UART8_DE	TIM2_CH2
	PF10	-	MCO2	SPI3_RDY	-	SAI2_MCLK_A	MDF1_CK16	UART8_TX	TIM2_CH3
	PF11	-	MCO1	SPDIFRX1_IN0	SPI6_RDY	SAI2_SCK_A	MDF1_SDI6	UART8_RX	TIM2_CH4
	PF12	TRACECLK	-	SPI5_MISO	SPI1_MISO/ I2S1_SDI	-	-	UART9_RTS/ UART9_DE	-
	PF13	TRACED0	HDP0	AUDIOCLK	USART6_TX	SPI2_NSS/ I2S2_WS	MDF1_CK17	USART3_CTS/ USART3_NSS	FDCAN3_TX
PF14	TRACED1	HDP1	-	USART6_RX	-	MDF1_SDI7	USART3_RTS/ USART3_DE	FDCAN3_RX	





Port		AF0	AF1	AF2	AF3	AF4	AF5	AF6	AF7
		DBG	DBG / HDP / LPTIM1/2 / RTC / SAI1 / SPI1 / I2S1 / SPI3 / I2S3 / SPI4/7/8 / SYS	HDP / I2S / LPTIM2/3 / SPDIFRX1 / SPI1 / I2S1 / SPI2 / I2S2 / SPI3 / I2S3 / SPI4/5/6/7 / SYS	I3C3 / LPTIM1/2 / SAI1/2/3/4 / SPDIFRX1 / SPI1 / I2S1 / SPI3 / I2S3 / SPI4/6/8 / UART4/8 / USART6	FDCAN2 / MDF1 / PCIE / SAI1/2/3/4 / SPDIFRX1 / SPI2 / I2S2 / TIM8 / UART4 / USART6	ADF1 / DSI / I3C3 / MDF1 / SAI2/4 / UART5/8 / USART1/6	FDCAN3 / I2C4/5 / LPUART1 / TIM14/17 / UART7/8/9 / USART1/2/3/6	FDCAN1/2/3 / LPTIM4/5 / TIM2/3/4/12/13/15/16/17/20
Port F	PF15	TRACED2	HDP2	SPI2_RDY	USART6_CTS/ USART6_NSS	SPI2_SCK/ I2S2_CK	-	USART3_CK	TIM2_CH2
Port G	PG0	-	LPTIM1_IN1	-	I3C3_SDA	-	MDF1_SDI2	-	-
	PG1	-	LPTIM1_IN1	I2S3_MCK	I3C3_SCL	SAI2_SD_A	UART5_CTS	USART3_CTS/ USART3_NSS	-
	PG2	-	RTC_REFIN	I2S3_MCK	I3C3_SDA	SAI2_FS_A	-	USART3_CK	-
	PG3	-	LPTIM1_ETR	SPI5_MOSI	UART8_TX	SAI2_FS_B	-	-	TIM3_CH3
	PG4	-	-	SPI5_MISO	SAI3_FS_B	-	-	-	LPTIM4_IN1
	PG5	TRACED3	HDP3	-	USART6_RTS/ USART6_DE	-	-	-	TIM2_CH3
	PG6	TRACED4	HDP4	SPI5_SCK	SPI1_SCK/ I2S1_CK	-	-	-	TIM2_CH4
	PG7	TRACED5	HDP5	SPI5_NSS	SPI1_NSS/ I2S1_WS	-	-	UART9_CTS	-
	PG8	TRACED6	HDP6	SPI5_RDY	SPI1_RDY	USART6_CK	UART5_RTS/ UART5_DE	UART9_TX	-
	PG9	TRACED7	-	-	-	-	UART5_TX	-	-
	PG10	TRACED8	HDP0	-	-	-	UART5_RX	-	-
	PG11	TRACED9	HDP1	SPI7_MOSI	-	-	-	-	FDCAN1_TX
	PG12	TRACED10	HDP2	SPI7_MISO	-	-	-	-	FDCAN1_RX
	PG13	TRACED11	HDP3	SPI7_SCK	-	-	MDF1_CK16	-	-
	PG14	TRACED12	HDP4	SPI7_RDY	-	-	MDF1_CK15	USART1_TX	-
PG15	TRACED13	HDP5	-	LPTIM1_CH2	-	MDF1_SDI5	USART1_RX	-	

Port		AF0	AF1	AF2	AF3	AF4	AF5	AF6	AF7
		DBG	DBG / HDP / LPTIM1/2 / RTC / SAI1 / SPI1 / I2S1 / SPI3 / I2S3 / SPI4/7/8 / SYS	HDP / I2S / LPTIM2/3 / SPDIFRX1 / SPI1 / I2S1 / SPI2 / I2S2 / SPI3 / I2S3 / SPI4/5/6/7 / SYS	I3C3 / LPTIM1/2 / SAI1/2/3/4 / SPDIFRX1 / SPI1 / I2S1 / SPI3 / I2S3 / SPI4/6/8 / UART4/8 / USART6	FDCAN2 / MDF1 / PCIE / SAI1/2/3/4 / SPDIFRX1 / SPI2 / I2S2 / TIM8 / UART4 / USART6	ADF1 / DSI / I3C3 / MDF1 / SAI2/4 / UART5/8 / USART1/6	FDCAN3 / I2C4/5 / LPUART1 / TIM14/17 / UART7/8/9 / USART1/2/3/6	FDCAN1/2/3 / LPTIM4/5 / TIM2/3/4/12/13/15/16/17/20
Port H	PH2	-	LPTIM2_CH1	SPI7_RDY	SPDIFRX1_IN3	SAI1_SCK_B	I3C3_SDA	-	TIM16_CH1
	PH3	-	-	SPI1_NSS/ I2S1_WS	-	-	-	UART7_RX	TIM17_CH1N
	PH4	-	-	-	-	-	-	UART7_TX	TIM17_BKIN
	PH5	-	-	-	-	SAI2_FS_A	-	UART8_CTS	TIM2_CH1
	PH6	-	LPTIM2_IN2	-	-	SAI1_MCLK_B	I3C3_SCL	-	TIM16_CH1N
	PH7	-	-	SPI1_MOSI/ I2S1_SDO	-	UART4_TX	-	UART7_RTS/ UART7_DE	TIM17_CH1
	PH8	-	-	SPI1_MISO/ I2S1_SDI	SPDIFRX1_IN3	UART4_RX	-	UART7_CTS	-
	PH9	-	-	-	SPI6_NSS	SAI3_MCLK_A	-	USART6_RX	TIM15_CH1N
	PH10	-	-	SPI1_SCK/ I2S1_CK	SPI6_MOSI	SAI3_SCK_A	-	-	TIM15_CH1
	PH11	-	-	-	SPI6_MISO	SAI3_FS_A	-	-	TIM15_CH2
	PH12	-	-	SPI3_NSS/ I2S3_WS	SPI6_MISO	-	-	-	-
	PH13	-	-	SPI3_SCK/ I2S3_CK	SPI6_MOSI	-	-	-	TIM15_BKIN
	Port I	PI0	TRACED14	HDP6	-	LPTIM1_IN1	SAI4_MCLK_B	-	USART1_CK
PI1		TRACED15	HDP7	SPI7_NSS	-	-	MDF1_SDI6	-	-
PI2		-	-	-	LPTIM1_ETR	SAI4_SCK_B	-	USART1_RTS/ USART1_DE	-
PI3		-	-	-	LPTIM1_IN2	SAI4_SD_B	-	USART1_CTS/ USART1_NSS	-
PI4		-	-	-	LPTIM1_CH1	SAI4_FS_B	-	-	-
PI5		-	-	SPI5_MOSI	SPI1_MOSI/ I2S1_SDO	-	UART5_CTS	UART9_RX	-
PI6		-	MCO1	-	-	-	-	USART3_TX	TIM2_ETR





Port		AF0	AF1	AF2	AF3	AF4	AF5	AF6	AF7
		DBG	DBG / HDP / LPTIM1/2 / RTC / SAI1 / SPI1 / I2S1 / SPI3 / I2S3 / SPI4/7/8 / SYS	HDP / I2S / LPTIM2/3 / SPDIFRX1 / SPI1 / I2S1 / SPI2 / I2S2 / SPI3 / I2S3 / SPI4/5/6/7 / SYS	I3C3 / LPTIM1/2 / SAI1/2/3/4 / SPDIFRX1 / SPI1 / I2S1 / SPI3 / I2S3 / SPI4/6/8 / UART4/8 / USART6	FDCAN2 / MDF1 / PCIE / SAI1/2/3/4 / SPDIFRX1 / SPI2 / I2S2 / TIM8 / UART4 / USART6	ADF1 / DSI / I3C3 / MDF1 / SAI2/4 / UART5/8 / USART1/6	FDCAN3 / I2C4/5 / LPUART1 / TIM14/17 / UART7/8/9 / USART1/2/3/6	FDCAN1/2/3 / LPTIM4/5 / TIM2/3/4/12/13/15/16/17/20
Port I	PI7	-	-	-	-	-	-	USART3_RX	TIM2_CH1
	PI8	-	-	-	-	-	-	-	-
	PI9	-	SPI7_MOSI	SPI2_MOSI/ I2S2_SDO	-	FDCAN2_TX	-	UART9_CTS	-
	PI10	-	SAI1_SCK_A	SPI1_SCK/ I2S1_CK	SPDIFRX1_IN0	FDCAN2_RX	MDF1_CCK0	-	-
	PI11	-	-	I2S2_MCK	-	-	UART8_TX	UART9_RTS/ UART9_DE	-
	PI12	-	-	SPI4_NSS	-	-	-	-	FDCAN3_RX
	PI13	-	-	SPI4_MOSI	-	FDCAN2_RX	-	-	-
	PI14	-	-	SPI2_NSS/ I2S2_WS	-	-	MDF1_SDI1	-	TIM20_CH3
	PI15	-	-	I2S2_MCK	UART4_RX	-	MDF1_CK12	-	TIM20_BKIN2
Port J	PJ0	-	-	SPI5_MOSI	-	PCIE_CLKREQN	SAI4_D2	USART6_CTS/ USART6_NSS	-
	PJ1	-	-	-	-	-	-	USART6_RX	-
	PJ2	-	-	-	-	SAI2_SD_B	-	UART9_RTS/ UART9_DE	-
	PJ3	-	-	SPI5_NSS	SAI2_FS_A	-	SAI4_D1	USART6_RTS/ USART6_DE	-
	PJ4	-	-	-	SAI2_FS_B	-	MDF1_CCK1	USART6_CK	-
	PJ5	-	-	SPI5_MISO	SAI2_SCK_B	-	SAI4_CK1	USART6_TX	-
	PJ6	-	-	SPI7_MOSI	-	SAI4_SD_A	-	USART2_CK	TIM20_CH1N
	PJ7	-	-	SPI5_MISO	-	SAI2_MCLK_B	SAI4_D3	USART6_CK	-
	PJ8	-	-	SPI5_SCK	-	-	SAI4_CK2	USART6_RX	-
	PJ9	-	-	SPI4_RDY	-	-	-	-	TIM12_CH1
	PJ10	-	-	-	-	-	-	-	TIM12_CH2
	PJ11	-	-	SPI5_RDY	SAI2_SCK_A	-	SAI4_D4	UART9_CTS	-

Port		AF0	AF1	AF2	AF3	AF4	AF5	AF6	AF7
		DBG	DBG / HDP / LPTIM1/2 / RTC / SAI1 / SPI1 / I2S1 / SPI3 / I2S3 / SPI4/7/8 / SYS	HDP / I2S / LPTIM2/3 / SPDIFRX1 / SPI1 / I2S1 / SPI2 / I2S2 / SPI3 / I2S3 / SPI4/5/6/7 / SYS	I3C3 / LPTIM1/2 / SAI1/2/3/4 / SPDIFRX1 / SPI1 / I2S1 / SPI3 / I2S3 / SPI4/6/8 / UART4/8 / USART6	FDCAN2 / MDF1 / PCIE / SAI1/2/3/4 / SPDIFRX1 / SPI2 / I2S2 / TIM8 / UART4 / USART6	ADF1 / DSI / I3C3 / MDF1 / SAI2/4 / UART5/8 / USART1/6	FDCAN3 / I2C4/5 / LPUART1 / TIM14/17 / UART7/8/9 / USART1/2/3/6	FDCAN1/2/3 / LPTIM4/5 / TIM2/3/4/12/13/15/16/17/20
Port J	PJ12	-	-	-	SAI2_SD_A	-	-	UART9_RX	FDCAN1_TX
	PJ13	-	-	-	SAI2_MCLK_A	-	-	UART9_TX	FDCAN1_RX
	PJ14	-	-	SPI4_SCK	-	-	-	-	FDCAN3_TX
	PJ15	TRACED7	HDP7	SPI4_MISO	-	FDCAN2_TX	-	-	-
Port K	PK0	-	-	SPI2_MISO/ I2S2_SDI	SPDIFRX1_IN2	-	MDF1_CCK0	-	TIM20_ETR
	PK1	-	-	SPI2_MOSI/ I2S2_SDO	-	-	MDF1_SDI2	-	TIM20_BKIN
	PK2	-	-	SPI7_NSS	-	SAI4_SCK_A	-	USART1_RTS/ USART1_DE	TIM20_CH2
	PK3	-	-	SPI7_RDY	-	-	MDF1_CK11	-	TIM20_CH3N
	PK4	-	-	SPI7_MISO	UART4_TX	SAI4_FS_A	-	-	TIM20_CH1
	PK5	-	-	SPI2_RDY	-	-	MDF1_CK10	USART1_TX	TIM20_CH4N
	PK6	-	-	SPI7_SCK	-	SAI4_MCLK_A	-	USART1_CTS/ USART1_NSS	TIM20_CH2N
PK7	-	-	-	-	-	MDF1_SDI0	USART1_RX	TIM20_CH4	
Port Z	PZ0	-	-	LPTIM3_IN1	SPI8_MOSI	TIM8_CH1	-	LPUART1_TX	LPTIM5_OUT
	PZ1	-	-	LPTIM3_CH1	SPI8_MISO	TIM8_CH2	-	LPUART1_RX	LPTIM5_ETR
	PZ2	-	-	LPTIM3_CH1	SPI8_SCK	-	ADF1_CCK0	LPUART1_RTS /LPUART1_DE	LPTIM4_ETR
	PZ3	DBTRGI	DBTRGO	LPTIM3_ETR	SPI8_NSS	MDF1_SDI5	ADF1_SDI0	LPUART1_CTS	LPTIM4_IN1
	PZ4	DBTRGI	DBTRGO	MCO2	SPI8_RDY	MDF1_CCK1	ADF1_CCK1	LPUART1_RX	LPTIM4_CH1
	PZ5	-	MCO1	LPTIM3_ETR	SPI8_SCK	-	ADF1_CCK0	LPUART1_RTS /LPUART1_DE	LPTIM5_IN1
	PZ6	DBTRGI	DBTRGO	-	SPI8_NSS	TIM8_CH3	ADF1_SDI0	LPUART1_CTS	LPTIM5_OUT
	PZ7	-	-	-	SPI8_MOSI	MDF1_CCK1	ADF1_CCK1	LPUART1_TX	LPTIM5_IN1
	PZ8	-	-	LPTIM3_IN1	SPI8_MISO	MDF1_SDI5	ADF1_SDI0	LPUART1_RX	LPTIM4_CH1



Port		AF0	AF1	AF2	AF3	AF4	AF5	AF6	AF7
		DBG	DBG / HDP / LPTIM1/2 / RTC / SAI1 / SPI1 / I2S1 / SPI3 / I2S3 / SPI4/7/8 / SYS	HDP / I2S / LPTIM2/3 / SPDIFRX1 / SPI1 / I2S1 / SPI2 / I2S2 / SPI3 / I2S3 / SPI4/5/6/7 / SYS	I3C3 / LPTIM1/2 / SAI1/2/3/4 / SPDIFRX1 / SPI1 / I2S1 / SPI3 / I2S3 / SPI4/6/8 / UART4/8 / USART6	FDCAN2 / MDF1 / PCIE / SAI1/2/3/4 / SPDIFRX1 / SPI2 / I2S2 / TIM8 / UART4 / USART6	ADF1 / DSI / I3C3 / MDF1 / SAI2/4 / UART5/8 / USART1/6	FDCAN3 / I2C4/5 / LPUART1 / TIM14/17 / UART7/8/9 / USART1/2/3/6	FDCAN1/2/3 / LPTIM4/5 / TIM2/3/4/12/13/15/16/17/20
Port Z	PZ9	-	MCO2	-	SPI8_RDY	MDF1_CK15	-	LPUART1_TX	LPTIM4_ETR

Table 13. Alternate functions AF8 to AF15

Port		AF8	AF9	AF10	AF11	AF12	AF13	AF14	AF15
		ETH1 / I2C2/4/5/8 / I3C1 / TIM1/2/3/4/5/8/10/11/12/16/20 / UART7 / USART2	DCMI / PSSI / DCMIPP / DSI / ETH1/2 / FDCAN3 / I2C1/2/3/4/5/6/7/8 / LPTIM5 / SDMMC1/2 / TIM4/5/10/12/14 / USBH_HS	ETH1/2 / FMC / I2C1/3/5/7 / I3C1/2 / LCD / LPTIM3/4 / OCTOSPIM_P1/2 / SDMMC1/3 / TIM14	ETH1/2 / FMC / I2C3/5 / I3C4 / LCD / OCTOSPIM_P1/2 / SDMMC1 / USB3DR	DSI / ETH1/2 / FMC / I2C4 / LCD / OCTOSPIM_P2 / SDMMC1/2/3 / USBH_HS	DCMI / PSSI / DCMIPP / DSI / ETH1/2/3 / I3C2 / LCD / OCTOSPIM_P1 / SDMMC2	DCMI / PSSI / DCMIPP / ETH3 / FMC / LCD / SDMMC3	SYS
Port A	PA0	TIM5_CH2	-	ETH2_MII_RXD2	-	FMC_NL	-	DCMI_D9/PSSI_D9/DCMIPP_D9	EVEN TOUT
	PA1	I2C4_SDA	I2C6_SDA	-	LCD_R3	-	DCMI_D5/PSSI_D5/DCMIPP_D5	ETH3_PHY_INTN	EVEN TOUT
	PA2	I3C1_SDA	-	I2C1_SDA	LCD_B0	-	DCMI_D3/PSSI_D3/DCMIPP_D3	ETH3_RGMII_RX_CTL/ETH3_RMII_CRS_DV	EVEN TOUT
	PA3	I3C1_SCL	I2C7_SMBA	I2C1_SCL	LCD_B1	-	DCMI_D2/PSSI_D2/DCMIPP_D2	ETH3_RGMII_TX_CTL/ETH3_RMII_TX_EN	EVEN TOUT
	PA4	TIM2_CH1	-	LCD_R1	-	-	ETH1_PTP_AUX_TS	ETH3_PPS_OUT	EVEN TOUT
	PA5	TIM2_CH4	-	LCD_G0	-	FMC_A0	DCMI_D13/PSSI_D13/DCMIPP_D13	ETH3_RGMII_RX_CLK/ETH3_RMII_REF_CLK	EVEN TOUT
	PA6	TIM2_ETR	-	LCD_G4	-	FMC_NE1	DCMI_D12/PSSI_D12/DCMIPP_D12	ETH3_RGMII_TXD0/ETH3_RMII_TXD0	EVEN TOUT
	PA7	I2C2_SMBA	I2C6_SMBA	LCD_B5	I2C3_SMBA	I2C4_SMBA	DCMI_D6/PSSI_D6/DCMIPP_D6	ETH3_RGMII_TXD1/ETH3_RMII_TXD1	EVEN TOUT
	PA8	USART2_RX	I2C5_SCL	-	-	LCD_B2	DCMI_D4/PSSI_D4/DCMIPP_D4	-	EVEN TOUT
	PA9	TIM2_CH3	-	ETH1_MDC	-	LCD_G7	PSSI_D14/DCMIPP_D14	ETH3_RGMII_RXD0/ETH3_RMII_RXD0	EVEN TOUT
	PA10	TIM2_CH2	-	ETH1_MDIO	-	LCD_R6	PSSI_D15/DCMIPP_D15	ETH3_RGMII_RXD1/ETH3_RMII_RXD1	EVEN TOUT
	PA11	-	-	ETH1_MII_RX_DV/ETH1_RGMII_RX_CTL/ETH1_RMII_CRS_DV	-	-	-	-	EVEN TOUT
PA12	I2C4_SCL	I2C6_SCL	ETH1_PHY_INTN	-	-	-	-	EVEN TOUT	





Port		AF8	AF9	AF10	AF11	AF12	AF13	AF14	AF15
		ETH1 / I2C2/4/5/8 / I3C1 / TIM1/2/3/4/5/8/10/11/12/16/20 / UART7 / USART2	DCMI / PSSI / DCMIPP / DSI / ETH1/2 / FDCAN3 / I2C1/2/3/4/5/6/7/8 / LPTIM5 / SDMMC1/2 / TIM4/5/10/12/14 / USBH_HS	ETH1/2 / FMC / I2C1/3/5/7 / I3C1/2 / LCD / LPTIM3/4 / OCTOSPIM_P1/2 / SDMMC1/3 / TIM14	ETH1/2 / FMC / I2C3/5 / I3C4 / LCD / OCTOSPIM_P1/2 / SDMMC1 / USB3DR	DSI / ETH1/2 / FMC / I2C4 / LCD / OCTOSPIM_P2 / SDMMC1/2/3 / USBH_HS	DCMI / PSSI / DCMIPP / DSI / ETH1/2/3 / I3C2 / LCD / OCTOSPIM_P1 / SDMMC2	DCMI / PSSI / DCMIPP / ETH3 / FMC / LCD / SDMMC3	SYS
Port A	PA13	-	I2C7_SMBA	ETH1_MII_TX_EN/ETH1_RGMII_TX_CTL/ETH1_RMII_TX_EN	-	-	-	-	EVEN TOUT
	PA14	-	-	ETH1_MII_RX_CLK/ETH1_RGMII_RX_CLK/ETH1_RMII_REF_CLK	-	-	-	-	EVEN TOUT
	PA15	-	I2C7_SDA	ETH1_MII_TXD0/ETH1_RGMII_TXD0/ETH1_RMII_TXD0	-	-	-	-	EVEN TOUT
Port B	PB0	TIM20_CH4N	-	OCTOSPIM_P2_IO0	-	-	-	-	EVEN TOUT
	PB1	TIM20_CH3N	-	OCTOSPIM_P2_IO1	-	FMC_NCE4	-	-	EVEN TOUT
	PB2	TIM20_CH2N	-	OCTOSPIM_P2_IO2	-	-	-	-	EVEN TOUT
	PB3	TIM20_CH3	-	OCTOSPIM_P2_IO3	-	FMC_NCE3	-	-	EVEN TOUT
	PB4	TIM20_CH2	I2C2_SDA	OCTOSPIM_P2_IO4	-	-	I3C2_SDA	-	EVEN TOUT
	PB5	TIM20_CH1	I2C2_SCL	OCTOSPIM_P2_IO5	-	FMC_AD8/FMC_D8	I3C2_SCL	SDMMC3_D123DIR	EVEN TOUT
	PB6	TIM20_CH1N	-	OCTOSPIM_P2_IO6	-	FMC_AD9/FMC_D9	-	SDMMC3_D0DIR	EVEN TOUT
	PB7	TIM20_ETR	TIM12_CH1	OCTOSPIM_P2_IO7	-	FMC_AD10/FMC_D10	-	SDMMC3_CDIR	EVEN TOUT
	PB8	TIM20_CH4	-	OCTOSPIM_P2_NCS1	-	FMC_AD12/FMC_D12	-	-	EVEN TOUT
	PB9	TIM20_BKIN	TIM10_CH1	OCTOSPIM_P2_DQS	OCTOSPIM_P2_NCS2	FMC_AD13/FMC_D13	-	-	EVEN TOUT
	PB10	-	-	OCTOSPIM_P2_CLK	-	FMC_AD15/FMC_D15	-	-	EVEN TOUT
	PB11	TIM20_BKIN2	TIM12_CH2	OCTOSPIM_P2_NCLK	OCTOSPIM_P2_NCS2	FMC_AD14/FMC_D14	OCTOSPIM_P1_NCS2	-	EVEN TOUT
	PB12	-	DSL_TE	SDMMC3_D2	FMC_NWAIT	-	-	DCMI_D12/PSSI_D12/DCMIPP_D12	EVEN TOUT
	PB13	-	-	SDMMC3_CK	FMC_AD5/FMC_D5	FMC_AD0/FMC_D0	-	-	EVEN TOUT
	PB14	-	TIM4_CH2	SDMMC3_D0	FMC_AD7/FMC_D7	FMC_AD2/FMC_D2	-	-	EVEN TOUT
	PB15	TIM5_CH1	-	ETH1_PPS_OUT	-	FMC_A18	LCD_R4	DCMI_D8/PSSI_D8/DCMIPP_D8	EVEN TOUT
	Port C	PC0	-	DCMI_D0/PSSI_D0/DCMIPP_D0	ETH2_MII_RX_CLK/ETH2_RMII_REF_CLK	ETH1_MII_TX_CLK	ETH1_RGMII_GTX_CLK	LCD_G7	-
PC1		-	I2C7_SCL	ETH1_MII_TXD1/ETH1_RGMII_TXD1/ETH1_RMII_TXD1	-	-	-	-	EVEN TOUT
PC2		-	-	ETH1_MII_RXD1/ETH1_RGMII_RXD1/ETH1_RMII_RXD1	-	-	-	-	EVEN TOUT



Port	AF8	AF9	AF10	AF11	AF12	AF13	AF14	AF15	
	ETH1 / I2C2/4/5/8 / I3C1 / TIM1/2/3/4/5/8/10/11/12/16/20 / UART7 / USART2	DCMI / PSSI / DCMIPP / DSI / ETH1/2 / FDCAN3 / I2C1/2/3/4/5/6/7/8 / LPTIM5 / SDMMC1/2 / TIM4/5/10/12/14 / USBH_HS	ETH1/2 / FMC / I2C1/3/5/7 / I3C1/2 / LCD / LPTIM3/4 / OCTOSPIM_P1/2 / SDMMC1/3 / TIM14	ETH1/2 / FMC / I2C3/5 / I3C4 / LCD / OCTOSPIM_P1/2 / SDMMC1 / USB3DR	DSI / ETH1/2 / FMC / I2C4 / LCD / OCTOSPIM_P2 / SDMMC1/2/3 / USBH_HS	DCMI / PSSI / DCMIPP / DSI / ETH1/2/3 / I3C2 / LCD / OCTOSPIM_P1 / SDMMC2	DCMI / PSSI / DCMIPP / ETH3 / FMC / LCD / SDMMC3	SYS	
Port C	PC3	-	-	ETH2_MII_RX_DV/ETH2_RGMII_RX_CTL/ETH2_RMII_CRS_DV	ETH1_MII_RX_ER	-	LCD_G6	DCMI_D3/PSSI_D3/DCMIPP_D3	EVEN TOUT
	PC4	-	-	ETH2_MII_TX_EN/ETH2_RGMII_TX_CTL/ETH2_RMII_TX_EN	-	ETH1_RGMII_CLK125	LCD_R0	-	EVEN TOUT
	PC5	TIM8_CH1N	I2C4_SDA	ETH2_MDIO	ETH1_MII_COL	FMC_A25	ETH1_PPS_OUT	LCD_DE	EVEN TOUT
	PC6	TIM8_CH1	I2C4_SCL	ETH2_MDC	ETH1_MII_CRS	FMC_A24	ETH1_PHY_INTN	LCD_CLK	EVEN TOUT
	PC7	TIM8_CH2N	-	ETH2_MII_TXD0/ETH2_RGMII_TXD0/ETH2_RMII_TXD0	ETH1_MII_TXD2	-	LCD_B4	DCMI_D1/PSSI_D1/DCMIPP_D1	EVEN TOUT
	PC8	TIM8_CH2	-	ETH2_MII_TXD1/ETH2_RGMII_TXD1/ETH2_RMII_TXD1	ETH1_MII_TXD3	-	LCD_B3	DCMI_D2/PSSI_D2/DCMIPP_D2	EVEN TOUT
	PC9	TIM8_CH4N	USBH_HS_OVRCLR	ETH2_MII_TXD2/ETH2_RGMII_TXD2	USB3DR_OVRCLR	FMC_A22	LCD_G2	DCMI_D7/PSSI_D7/DCMIPP_D7	EVEN TOUT
	PC10	TIM8_CH4	USBH_HS_VBUSEN	ETH2_MII_TXD3/ETH2_RGMII_TXD3	USB3DR_VBUSEN	FMC_A23	LCD_G3	DCMI_D6/PSSI_D6/DCMIPP_D6	EVEN TOUT
	PC11	TIM5_ETR	-	ETH2_MII_RXD3/ETH2_RGMII_RXD3	-	FMC_NBL1	LCD_R2	DCMI_D10/PSSI_D10/DCMIPP_D10	EVEN TOUT
	PC12	TIM8_CH3	I2C3_SCL	ETH2_MII_RXD1/ETH2_RGMII_RXD1/ETH2_RMII_RXD1	ETH1_MII_RXD3	-	LCD_G1	DCMI_D5/PSSI_D5/DCMIPP_D5	EVEN TOUT
	PC13	-	-	-	-	-	-	-	EVEN TOUT
	Port D	PD0	-	SDVSEL1	OCTOSPIM_P1_CLK	-	-	DCMI_PIXCLK/PSSI_PDCK/DCMIPP_PIXCLK	-
PD1		TIM1_BKIN	FDCAN3_RX	OCTOSPIM_P1_NCLK	OCTOSPIM_P1_NCS2	OCTOSPIM_P2_NCS2	DCMI_HSYNC/PSSI_DE/DCMIPP_HSYNC	-	EVEN TOUT
PD2		TIM1_ETR	FDCAN3_TX	OCTOSPIM_P1_DQS	OCTOSPIM_P1_NCS2	-	DCMI_VSYNC/PSSI_RDY/DCMIPP_VSYNC	-	EVEN TOUT
PD3		TIM1_BKIN2	SDVSEL2	OCTOSPIM_P1_NCS1	-	-	PSSI_D15/DCMIPP_D15	-	EVEN TOUT
PD4		TIM1_CH4N	TIM4_CH1	OCTOSPIM_P1_IO0	-	-	PSSI_D14/DCMIPP_D14	-	EVEN TOUT
PD5		TIM1_CH3N	TIM4_CH2	OCTOSPIM_P1_IO1	-	-	DCMI_D13/PSSI_D13/DCMIPP_D13	-	EVEN TOUT
PD6		TIM1_CH2N	TIM4_CH3	OCTOSPIM_P1_IO2	-	-	DCMI_D12/PSSI_D12/DCMIPP_D12	-	EVEN TOUT
PD7		TIM1_CH1N	TIM4_CH4	OCTOSPIM_P1_IO3	-	-	DCMI_D11/PSSI_D11/DCMIPP_D11	-	EVEN TOUT
PD8		TIM1_CH4	TIM4_ETR	OCTOSPIM_P1_IO4	SDMMC1_D7	SDMMC1_D123DIR	DCMI_D10/PSSI_D10/DCMIPP_D10	-	EVEN TOUT
PD9		TIM1_CH3	-	OCTOSPIM_P1_IO5	SDMMC1_D6	SDMMC1_D0DIR	DCMI_D9/PSSI_D9/DCMIPP_D9	-	EVEN TOUT
PD10		TIM1_CH2	TIM14_CH1	OCTOSPIM_P1_IO6	SDMMC1_D5	SDMMC1_CDIRE	DCMI_D8/PSSI_D8/DCMIPP_D8	-	EVEN TOUT

Port	AF8		AF9		AF10		AF11		AF12		AF13		AF14		AF15	
	ETH1 / I2C2/4/5/8 / I3C1 / TIM1/2/3/4/5/8/10/11/12/16/20 / UART7 / USART2	DCMI / PSSI / DCMIPP / DSI / ETH1/2 / FDCAN3 / I2C1/2/3/4/5/6/7/8 / LPTIM5 / SDMMC1/2 / TIM4/5/10/12/14 / USBH_HS	ETH1/2 / FMC / I2C1/3/5/7 / I3C1/2 / LCD / LPTIM3/4 / OCTOSPIM_P1/2 / SDMMC1/3 / TIM14	ETH1/2 / FMC / I2C3/5 / I3C4 / LCD / OCTOSPIM_P1/2 / SDMMC1 / USB3DR	DSI / ETH1/2 / FMC / I2C4 / LCD / OCTOSPIM_P2 / SDMMC1/2/3 / USBH_HS	DCMI / PSSI / DCMIPP / DSI / ETH1/2/3 / I3C2 / LCD / OCTOSPIM_P1 / SDMMC2	DCMI / PSSI / DCMIPP / ETH3 / FMC / LCD / SDMMC3	SYS								
Port D	PD1_1	TIM1_CH1	SDVSEL1	OCTOSPIM_P1_I07	SDMMC1_D4	SDMMC1_CKIN	DCMI_D7/PSSI_D7/DCMIPP_D7	-	-	EVEN TOUT						
	PD1_2	-	TIM4_ETR	SDMMC3_CMD	FMC_AD6/FMC_D6	FMC_AD1/FMC_D1	-	-	EVEN TOUT							
	PD1_3	-	TIM4_CH4	SDMMC3_D1	FMC_AD11/FMC_D11	FMC_NWE	-	-	EVEN TOUT							
	PD1_4	TIM11_CH1	-	I2C7_SDA	FMC_AD4/FMC_D4	SDMMC3_D3	DCMI_D1/PSSI_D1/DCMIPP_D1	-	-	EVEN TOUT						
	PD1_5	TIM1_BKIN2	TIM5_ETR	I2C7_SCL	FMC_AD3/FMC_D3	SDMMC3_CKIN	DCMI_D0/PSSI_D0/DCMIPP_D0	-	-	EVEN TOUT						
Port E	PE0	-	-	SDMMC1_D2	-	-	-	-	-	EVEN TOUT						
	PE1	-	-	SDMMC1_D3	-	-	-	-	-	EVEN TOUT						
	PE2	TIM10_CH1	-	SDMMC1_CMD	-	-	-	-	-	EVEN TOUT						
	PE3	TIM11_CH1	-	SDMMC1_CK	-	-	-	-	-	EVEN TOUT						
	PE4	-	-	SDMMC1_D0	-	-	-	-	-	EVEN TOUT						
	PE5	-	-	SDMMC1_D1	-	-	-	-	-	EVEN TOUT						
	PE6	TIM1_ETR	-	-	FMC_AD1/FMC_D1	SDMMC2_D6	SDMMC2_D0DIR	-	-	EVEN TOUT						
	PE7	TIM1_CH4N	-	TIM14_CH1	FMC_AD2/FMC_D2	SDMMC2_D7	SDMMC2_D123DIR	-	-	EVEN TOUT						
	PE8	TIM1_CH1	-	-	FMC_A17/FMC_ALE	SDMMC2_D2	-	-	-	EVEN TOUT						
	PE9	TIM1_CH4	-	-	FMC_AD0/FMC_D0	SDMMC2_D5	SDMMC2_CDIR	-	-	EVEN TOUT						
	PE1_0	TIM1_CH3	-	FMC_NE3	FMC_NCE2	SDMMC2_D4	SDMMC2_CKIN	-	-	EVEN TOUT						
	PE1_1	TIM1_CH3N	-	-	FMC_A16/FMC_CLE	SDMMC2_D1	-	-	-	EVEN TOUT						
	PE1_2	TIM1_CH2	-	FMC_NE2	FMC_NCE1	SDMMC2_D3	-	-	-	EVEN TOUT						
	PE1_3	TIM1_CH2N	-	-	FMC_RNB	SDMMC2_D0	-	-	-	EVEN TOUT						
	PE1_4	TIM1_BKIN	-	-	FMC_NWE	SDMMC2_CK	-	-	-	EVEN TOUT						
	PE1_5	TIM1_CH1N	-	-	FMC_NOE	SDMMC2_CMD	-	-	-	EVEN TOUT						
	Port F	PF0	TIM12_CH2	I2C2_SDA	ETH1_MDC	ETH2_MII_CRS	-	I3C2_SDA	-	-	EVEN TOUT					





Port	AF8	AF9	AF10	AF11	AF12	AF13	AF14	AF15	
	ETH1 / I2C2/4/5/8 / I3C1 / TIM1/2/3/4/5/8/10/11/12/16/20 / UART7 / USART2	DCMI / PSSI / DCMIPP / DSI / ETH1/2 / FDCAN3 / I2C1/2/3/4/5/6/7/8 / LPTIM5 / SDMMC1/2 / TIM4/5/10/12/14 / USBH_HS	ETH1/2 / FMC / I2C1/3/5/7 / I3C1/2 / LCD / LPTIM3/4 / OCTOSPIM_P1/2 / SDMMC1/3 / TIM14	ETH1/2 / FMC / I2C3/5 / I3C4 / LCD / OCTOSPIM_P1/2 / SDMMC1 / USB3DR	DSI / ETH1/2 / FMC / I2C4 / LCD / OCTOSPIM_P2 / SDMMC1/2/3 / USBH_HS	DCMI / PSSI / DCMIPP / DSI / ETH1/2/3 / I3C2 / LCD / OCTOSPIM_P1 / SDMMC2	DCMI / PSSI / DCMIPP / ETH3 / FMC / LCD / SDMMC3	SYS	
Port F	PF1	-	-	ETH1_MII_RXD0/ETH1_RGMII_RXD0/ ETH1_RMII_RXD0	-	-	-	-	EVEN TOUT
	PF2	TIM12_CH1	I2C2_SCL	ETH1_MDIO	ETH2_MII_COL	FMC_NE4	I3C2_SCL	-	EVEN TOUT
	PF3	TIM8_BKIN2	ETH1_CLK	ETH2_PPS_OUT	-	FMC_A20	LCD_R6	DCMI_HSYNC/PSSI_DE/ DCMIPP_HSYNC	EVEN TOUT
	PF4	ETH1_MDC	ETH2_CLK	ETH2_PPS_OUT	ETH1_PPS_OUT	-	LCD_B7	-	EVEN TOUT
	PF5	ETH1_MDIO	ETH1_CLK	ETH2_PHY_INTN	ETH1_PHY_INTN	-	LCD_B6	-	EVEN TOUT
	PF6	-	I2C3_SMBA	ETH2_MII_RX_CLK/ETH2_RGMII_RX_CLK/ ETH2_RMII_REF_CLK	-	-	LCD_B0	-	EVEN TOUT
	PF7	-	-	ETH2_RGMII_GTX_CLK	ETH2_MII_TX_CLK	-	LCD_R1	-	EVEN TOUT
	PF8	-	ETH1_CLK	ETH2_RGMII_CLK125	ETH2_MII_RX_ER	ETH2_MII_RX_DV/ETH2_RMII_CRSDV	LCD_G0	-	EVEN TOUT
	PF9	-	-	ETH2_MII_RXD2/ETH2_RGMII_RXD2	ETH2_MDIO	-	-	-	EVEN TOUT
	PF10	-	-	ETH2_MII_TXD2	-	-	-	-	EVEN TOUT
	PF11	-	-	ETH2_MII_TXD3	-	-	-	-	EVEN TOUT
	PF12	TIM5_CH1	-	-	-	-	LCD_CLK	DCMI_D0/PSSI_D0/ DCMIPP_D0	EVEN TOUT
	PF13	TIM3_CH3	-	-	-	-	LCD_R2	-	EVEN TOUT
	PF14	TIM3_CH4	-	-	-	-	LCD_R3	-	EVEN TOUT
	PF15	TIM3_ETR	I2C6_SMBA	-	-	-	LCD_R4	-	EVEN TOUT
Port G	PG0	TIM8_CH3N	I2C3_SDA	ETH2_MII_RXD0/ETH2_RGMII_RXD0/ ETH2_RMII_RXD0	ETH1_MII_RXD2	-	LCD_G5	DCMI_D4/PSSI_D4/ DCMIPP_D4	EVEN TOUT
	PG1	TIM5_CH4	I2C3_SCL	ETH2_MII_RX_ER	ETH2_MII_RXD3	FMC_NBL0	LCD_VSYNC	DCMI_D11/PSSI_D11/ DCMIPP_D11	EVEN TOUT
	PG2	TIM5_CH3	I2C3_SDA	ETH2_MII_TX_CLK	ETH2_RGMII_CLK125	FMC_CLK	LCD_HSYNC	-	EVEN TOUT
	PG3	TIM8_ETR	ETH2_CLK	ETH2_PHY_INTN	-	FMC_A19	LCD_R5	DCMI_PIXCLK/PSSI_PDCK/ DCMIPP_PIXCLK	EVEN TOUT
	PG4	TIM8_BKIN	-	ETH2_PPS_OUT	ETH2_MDC	FMC_A21	LCD_R7	DCMI_VSYNC/PSSI_RDY/ DCMIPP_VSYNC	EVEN TOUT
	PG5	-	I2C6_SDA	-	-	-	LCD_R5	DCMI_PIXCLK/PSSI_PDCK/ DCMIPP_PIXCLK	EVEN TOUT
	PG6	-	I2C6_SCL	-	-	-	LCD_R6	DCMI_HSYNC/PSSI_DE/ DCMIPP_HSYNC	EVEN TOUT

Port		AF8	AF9	AF10	AF11	AF12	AF13	AF14	AF15
		ETH1 / I2C2/4/5/8 / I3C1 / TIM1/2/3/4/5/8/10/11/12/16/20 / UART7 / USART2	DCMI / PSSI / DCMIPP / DSI / ETH1/2 / FDCAN3 / I2C1/2/3/4/5/6/7/8 / LPTIM5 / SDMMC1/2 / TIM4/5/10/12/14 / USBH_HS	ETH1/2 / FMC / I2C1/3/5/7 / I3C1/2 / LCD / LPTIM3/4 / OCTOSPIM_P1/2 / SDMMC1/3 / TIM14	ETH1/2 / FMC / I2C3/5 / I3C4 / LCD / OCTOSPIM_P1/2 / SDMMC1 / USB3DR	DSI / ETH1/2 / FMC / I2C4 / LCD / OCTOSPIM_P2 / SDMMC1/2/3 / USBH_HS	DCMI / PSSI / DCMIPP / DSI / ETH1/2/3 / I3C2 / LCD / OCTOSPIM_P1 / SDMMC2	DCMI / PSSI / DCMIPP / ETH3 / FMC / LCD / SDMMC3	SYS
Port G	PG7	TIM5_ETR	-	-	-	-	LCD_R7	DCMI_VSYNC/PSSI_RDY/ DCMIPP_VSYNC	EVEN TOUT
	PG8	TIM5_CH3	-	-	-	-	LCD_G2	DCMI_D2/PSSI_D2/ DCMIPP_D2	EVEN TOUT
	PG9	TIM5_CH4	-	-	-	-	LCD_G3	DCMI_D3/PSSI_D3/ DCMIPP_D3	EVEN TOUT
	PG10	TIM8_CH4N	-	-	-	-	LCD_G4	DCMI_D4/PSSI_D4/ DCMIPP_D4	EVEN TOUT
	PG11	TIM8_CH4	-	-	-	-	LCD_G5	DCMI_D5/PSSI_D5/ DCMIPP_D5	EVEN TOUT
	PG12	TIM8_CH1N	-	-	-	-	LCD_G6	DCMI_D6/PSSI_D6/ DCMIPP_D6	EVEN TOUT
	PG13	TIM8_CH2N	I2C1_SCL	I3C1_SCL	-	-	LCD_G7	DCMI_D7/PSSI_D7/ DCMIPP_D7	EVEN TOUT
	PG14	TIM8_BKIN2	-	-	-	-	LCD_B1	DCMI_D9/PSSI_D9/ DCMIPP_D9	EVEN TOUT
PG15	TIM8_ETR	-	-	-	-	LCD_B2	DCMI_D10/PSSI_D10/ DCMIPP_D10	EVEN TOUT	
Port H	PH2	I2C5_SDA	I2C3_SDA	-	-	-	-	ETH3_RGMII_GTX_CLK	EVEN TOUT
	PH3	-	TIM5_CH3	I2C7_SCL	-	-	-	ETH3_RGMII_TXD3	EVEN TOUT
	PH4	-	TIM5_CH2	LCD_R0	USB3DR_OVRUCUR	USBH_HS_OVRUCUR	ETH1_PTP_AUX_TS	ETH3_PPS_OUT	EVEN TOUT
	PH5	UART7_RX	-	LCD_G1	USB3DR_VBUSEN	USBH_HS_VBUSEN	ETH2_PTP_AUX_TS	-	EVEN TOUT
	PH6	I2C5_SCL	I2C3_SCL	I2C1_SMBA	-	-	-	ETH3_RGMII_TXD2	EVEN TOUT
	PH7	-	TIM5_CH4	I2C7_SDA	-	-	-	ETH3_RGMII_RXD2	EVEN TOUT
	PH8	-	TIM5_CH1	I2C3_SMBA	I2C5_SMBA	-	-	ETH3_RGMII_RXD3	EVEN TOUT
	PH9	-	-	ETH1_RGMII_CLK125	ETH1_MII_RX_ER	-	-	-	EVEN TOUT
	PH10	-	ETH2_MDC	ETH1_MII_TXD2/ETH1_RGMII_TXD2	-	-	-	-	EVEN TOUT
	PH11	-	ETH2_MDIO	ETH1_MII_TXD3/ETH1_RGMII_TXD3	-	-	-	-	EVEN TOUT
	PH12	TIM10_CH1	-	ETH1_MII_RXD2/ETH1_RGMII_RXD2	-	-	-	-	EVEN TOUT
	PH13	TIM11_CH1	-	ETH1_MII_RXD3/ETH1_RGMII_RXD3	-	-	-	-	EVEN TOUT
	Port I	PI0	TIM8_BKIN	-	-	-	-	LCD_B3	DCMI_D11/PSSI_D11/ DCMIPP_D11





Port	AF8	AF9	AF10	AF11	AF12	AF13	AF14	AF15	
	ETH1 / I2C2/4/5/8 / I3C1 / TIM1/2/3/4/5/8/10/11/12/16/20 / UART7 / USART2	DCMI / PSSI / DCMIPP / DSI / ETH1/2 / FDCAN3 / I2C1/2/3/4/5/6/7/8 / LPTIM5 / SDMMC1/2 / TIM4/5/10/12/14 / USBH_HS	ETH1/2 / FMC / I2C1/3/5/7 / I3C1/2 / LCD / LPTIM3/4 / OCTOSPIM_P1/2 / SDMMC1/3 / TIM14	ETH1/2 / FMC / I2C3/5 / I3C4 / LCD / OCTOSPIM_P1/2 / SDMMC1 / USB3DR	DSI / ETH1/2 / FMC / I2C4 / LCD / OCTOSPIM_P2 / SDMMC1/2/3 / USBH_HS	DCMI / PSSI / DCMIPP / DSI / ETH1/2/3 / I3C2 / LCD / OCTOSPIM_P1 / SDMMC2	DCMI / PSSI / DCMIPP / ETH3 / FMC / LCD / SDMMC3	SYS	
Port I	PI1	TIM8_CH3N	I2C1_SDA	I3C1_SDA	-	-	LCD_B4	DCMI_D8/PSSI_D8/ DCMIPP_D8	EVEN TOUT
	PI2	TIM8_CH1	-	-	-	-	LCD_B5	DCMI_D13/PSSI_D13/ DCMIPP_D13	EVEN TOUT
	PI3	TIM8_CH2	-	-	-	-	LCD_B6	PSSI_D14/DCMIPP_D14	EVEN TOUT
	PI4	TIM8_CH3	-	-	-	-	LCD_B7	PSSI_D15/DCMIPP_D15	EVEN TOUT
	PI5	TIM5_CH2	-	-	-	-	LCD_DE	DCMI_D1/PSSI_D1/ DCMIPP_D1	EVEN TOUT
	PI6	TIM3_CH1	-	-	-	-	LCD_VSYNC	-	EVEN TOUT
	PI7	TIM3_CH2	-	-	-	-	LCD_HSYNC	-	EVEN TOUT
	PI8	-	-	-	-	-	-	-	EVEN TOUT
	PI9	TIM16_BKIN	SDVSEL2	FMC_NWAIT	-	DSI_TE	LCD_B0	-	EVEN TOUT
	PI10	TIM4_CH1	SDVSEL1	-	-	FMC_AD12/FMC_D12	DSI_TE	-	EVEN TOUT
	PI11	-	TIM4_CH3	SDMMC3_D3	FMC_AD15/FMC_D15	-	-	-	EVEN TOUT
	PI12	TIM11_CH1	-	-	-	FMC_A2	LCD_G0	-	EVEN TOUT
	PI13	TIM10_CH1	-	-	-	FMC_A3	LCD_G1	-	EVEN TOUT
	PI14	TIM1_CH3N	-	FMC_NWAIT	-	FMC_AD10/FMC_D10	DCMI_D4/PSSI_D4/ DCMIPP_D4	-	EVEN TOUT
	PI15	TIM1_BKIN2	SDVSEL1	SDMMC3_CDIR	-	-	DCMI_D9/PSSI_D9/ DCMIPP_D9	-	EVEN TOUT
Port J	PJ0	-	USBH_HS_VBUSEN	-	ETH2_PTP_AUX_TS	FMC_A11	ETH3_PPS_OUT	-	EVEN TOUT
	PJ1	TIM8_CH1N	I2C1_SCL	I3C1_SCL	-	FMC_A7	-	DCMI_VSYNC/PSSI_RDY/ DCMIPP_VSYNC	EVEN TOUT
	PJ2	TIM8_CH4N	USBH_HS_OVRCUR	-	-	FMC_A14	-	-	EVEN TOUT
	PJ3	TIM8_CH3	-	-	-	FMC_A10	-	-	EVEN TOUT
	PJ4	TIM8_CH4	I2C2_SMBA	I2C5_SMBA	-	-	-	-	EVEN TOUT
	PJ5	TIM8_CH1	-	-	-	FMC_A8	-	-	EVEN TOUT
	PJ6	TIM1_CH1	I2C6_SMBA	-	-	-	DCMI_D7/PSSI_D7/ DCMIPP_D7	-	EVEN TOUT



Port	AF8	AF9	AF10	AF11	AF12	AF13	AF14	AF15	
	ETH1 / I2C2/4/5/8 / I3C1 / TIM1/2/3/4/5/8/10/11/12/16/20 / UART7 / USART2	DCMI / PSSI / DCMIPP / DSI / ETH1/2 / FDCAN3 / I2C1/2/3/4/5/6/7/8 / LPTIM5 / SDMMC1/2 / TIM4/5/10/12/14 / USBH_HS	ETH1/2 / FMC / I2C1/3/5/7 / I3C1/2 / LCD / LPTIM3/4 / OCTOSPIM_P1/2 / SDMMC1/3 / TIM14	ETH1/2 / FMC / I2C3/5 / I3C4 / LCD / OCTOSPIM_P1/2 / SDMMC1 / USB3DR	DSI / ETH1/2 / FMC / I2C4 / LCD / OCTOSPIM_P2 / SDMMC1/2/3 / USBH_HS	DCMI / PSSI / DCMIPP / DSI / ETH1/2/3 / I3C2 / LCD / OCTOSPIM_P1 / SDMMC2	DCMI / PSSI / DCMIPP / ETH3 / FMC / LCD / SDMMC3	SYS	
Port J	PJ7	TIM8_CH2N	I2C1_SMBA	-	-	FMC_A12	-	DCMI_D0/PSSI_D0/ DCMIPP_D0	EVEN TOUT
	PJ8	TIM8_CH2	-	-	-	FMC_A9	-	PSSI_D14/DCMIPP_D14	EVEN TOUT
	PJ9	TIM8_BKIN	-	-	-	FMC_A5	-	DCMI_PIXCLK/PSSI_PDCK/ DCMIPP_PIXCLK	EVEN TOUT
	PJ10	TIM8_ETR	I2C1_SDA	I3C1_SDA	-	FMC_A6	-	DCMI_HSYNC/PSSI_DE/ DCMIPP_HSYNC	EVEN TOUT
	PJ11	TIM8_CH3N	-	-	-	FMC_A13	-	DCMI_D12/PSSI_D12/ DCMIPP_D12	EVEN TOUT
	PJ12	TIM8_BKIN2	I2C2_SCL	I3C2_SCL	-	FMC_A15	-	DCMI_D13/PSSI_D13/ DCMIPP_D13	EVEN TOUT
	PJ13	TIM10_CH1	I2C2_SDA	I3C2_SDA	-	-	-	PSSI_D15/DCMIPP_D15	EVEN TOUT
	PJ14	-	-	-	-	FMC_A1	LCD_R0	-	EVEN TOUT
	PJ15	TIM11_CH1	-	-	-	FMC_A4	LCD_R1	-	EVEN TOUT
Port K	PK0	TIM1_ETR	-	SDMMC3_D123DIR	-	FMC_AD11/FMC_D11	DCMI_D11/PSSI_D11/ DCMIPP_D11	-	EVEN TOUT
	PK1	TIM1_BKIN	SDVSEL2	SDMMC3_D0DIR	-	FMC_AD13/FMC_D13	DCMI_D10/PSSI_D10/ DCMIPP_D10	-	EVEN TOUT
	PK2	TIM1_CH2N	I2C6_SDA	-	-	FMC_NCE3	DCMI_D6/PSSI_D6/ DCMIPP_D6	-	EVEN TOUT
	PK3	TIM1_CH3	-	-	-	FMC_AD8/FMC_D8	DCMI_D3/PSSI_D3/ DCMIPP_D3	FMC_NCE4	EVEN TOUT
	PK4	TIM1_CH1N	-	SDMMC3_CKIN	-	FMC_AD9/FMC_D9	DCMI_D8/PSSI_D8/ DCMIPP_D8	-	EVEN TOUT
	PK5	TIM1_CH4	-	I2C5_SCL	-	FMC_AD5/FMC_D5	DCMI_D1/PSSI_D1/ DCMIPP_D1	-	EVEN TOUT
	PK6	TIM1_CH2	I2C6_SCL	-	FMC_AD14/FMC_D14	FMC_AD7/FMC_D7	DCMI_D5/PSSI_D5/ DCMIPP_D5	-	EVEN TOUT
	PK7	TIM1_CH4N	-	I2C5_SDA	FMC_NCE4	FMC_AD6/FMC_D6	DCMI_D2/PSSI_D2/ DCMIPP_D2	-	EVEN TOUT
Port Z	PZ0	I2C8_SDA	-	LPTIM3_CH2	I3C4_SDA	-	-	-	EVEN TOUT
	PZ1	I2C8_SCL	I2C8_SMBA	-	I3C4_SCL	-	-	-	EVEN TOUT
	PZ2	I2C8_SCL	-	-	I3C4_SCL	-	-	-	EVEN TOUT
	PZ3	I2C8_SDA	-	LPTIM4_CH2	I3C4_SDA	-	-	-	EVEN TOUT
	PZ4	I2C8_SCL	-	-	I3C4_SCL	-	-	-	EVEN TOUT



Port		AF8	AF9	AF10	AF11	AF12	AF13	AF14	AF15
		ETH1 / I2C2/4/5/8 / I3C1 / TIM1/2/3/4/5/8/10/11/12/16/20 / UART7 / USART2	DCMI / PSSI / DCMIPP / DSI / ETH1/2 / FDCAN3 / I2C1/2/3/4/5/6/7/8 / LPTIM5 / SDMMC1/2 / TIM4/5/10/12/14 / USBH_HS	ETH1/2 / FMC / I2C1/3/5/7 / I3C1/2 / LCD / LPTIM3/4 / OCTOSPIM_P1/2 / SDMMC1/3 / TIM14	ETH1/2 / FMC / I2C3/5 / I3C4 / LCD / OCTOSPIM_P1/2 / SDMMC1 / USB3DR	DSI / ETH1/2 / FMC / I2C4 / LCD / OCTOSPIM_P2 / SDMMC1/2/3 / USBH_HS	DCMI / PSSI / DCMIPP / DSI / ETH1/2/3 / I3C2 / LCD / OCTOSPIM_P1 / SDMMC2	DCMI / PSSI / DCMIPP / ETH3 / FMC / LCD / SDMMC3	SYS
Port Z	PZ5	-	-	LPTIM4_CH2	-	-	-	-	EVEN TOUT
	PZ6	-	-	LPTIM4_CH2	-	-	-	-	EVEN TOUT
	PZ7	-	-	LPTIM3_CH2	-	-	-	-	EVEN TOUT
	PZ8	I2C8_SMBA	LPTIM5_ETR	-	-	-	-	-	EVEN TOUT
	PZ9	I2C8_SDA	-	LPTIM3_CH2	I3C4_SDA	-	-	-	EVEN TOUT



5 Memory mapping

Refer to the product line reference manual (STM32MP23/25xx reference manual (RM0457)) for details on the memory mapping as well as the boundary addresses for all peripherals.

6 Electrical characteristics

6.1 Parameter conditions

Unless otherwise specified, all voltages are referenced to V_{SS} .

6.1.1 Minimum and maximum values

Unless otherwise specified, the minimum and maximum values are guaranteed in the worst conditions of junction temperature, supply voltage and frequencies by tests in production on 100% of the devices with a junction temperature at $T_J = 25\text{ }^\circ\text{C}$ and $T_J = T_{Jmax}$ (given by the selected temperature range).

Data based on characterization results, design simulation and/or technology characteristics are indicated in the table footnotes and are not tested in production. Based on characterization, the minimum and maximum values refer to sample tests and represent the mean value plus or minus three times the standard deviation ($\text{mean} \pm 3\sigma$).

6.1.2 Typical values

Unless otherwise specified, typical data are based on $T_J = 25\text{ }^\circ\text{C}$, $V_{DD} = 3.3\text{ V}$, $V_{DDCORE} = 0.82\text{ V}$, $V_{DDCPU} = 0.8\text{ V}$, $V_{DDGPU} = 0.8\text{ V}$. They are given only as design guidelines and are not tested in production.

Typical ADC accuracy values are determined by characterization of a batch of samples from a standard diffusion lot over the full temperature range, where 95% of the devices have an error less than or equal to the value indicated ($\text{mean} \pm 2\sigma$).

6.1.3 Typical curves

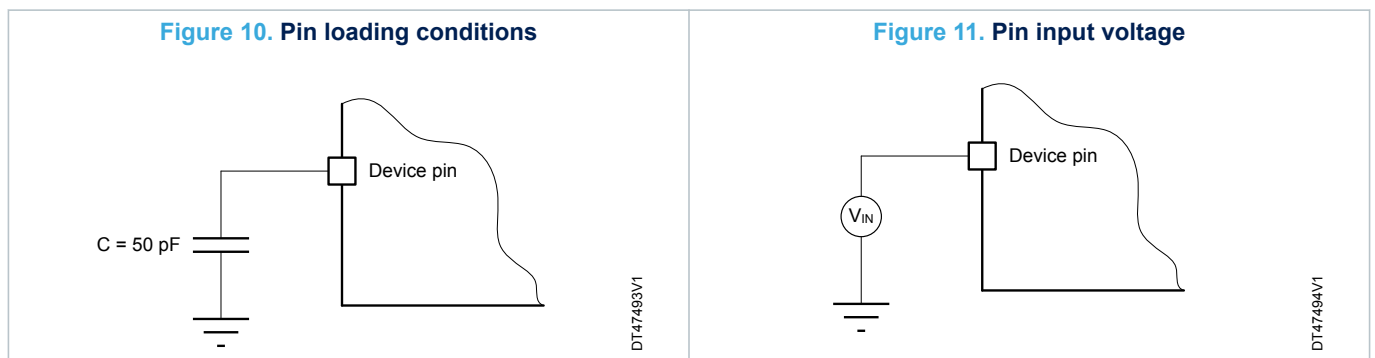
Unless otherwise specified, all typical curves are given only as design guidelines and are not tested.

6.1.4 Loading capacitor

The loading conditions used for pin parameter measurement are shown in Figure 10 .

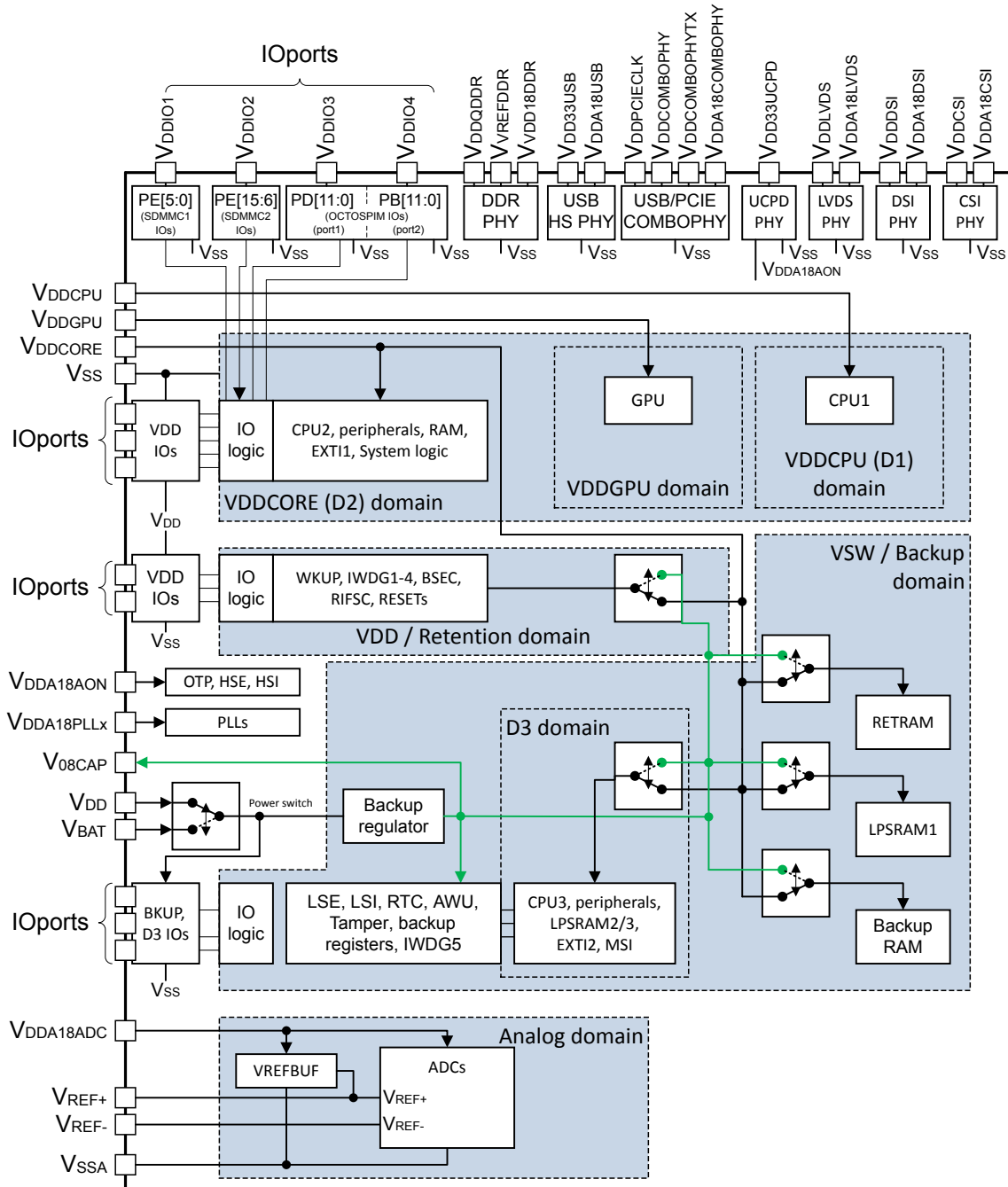
6.1.5 Pin input voltage

The input voltage measurement on a pin of the device is described in Figure 11 .



6.1.6 Power supply scheme

Figure 12. Power supply scheme

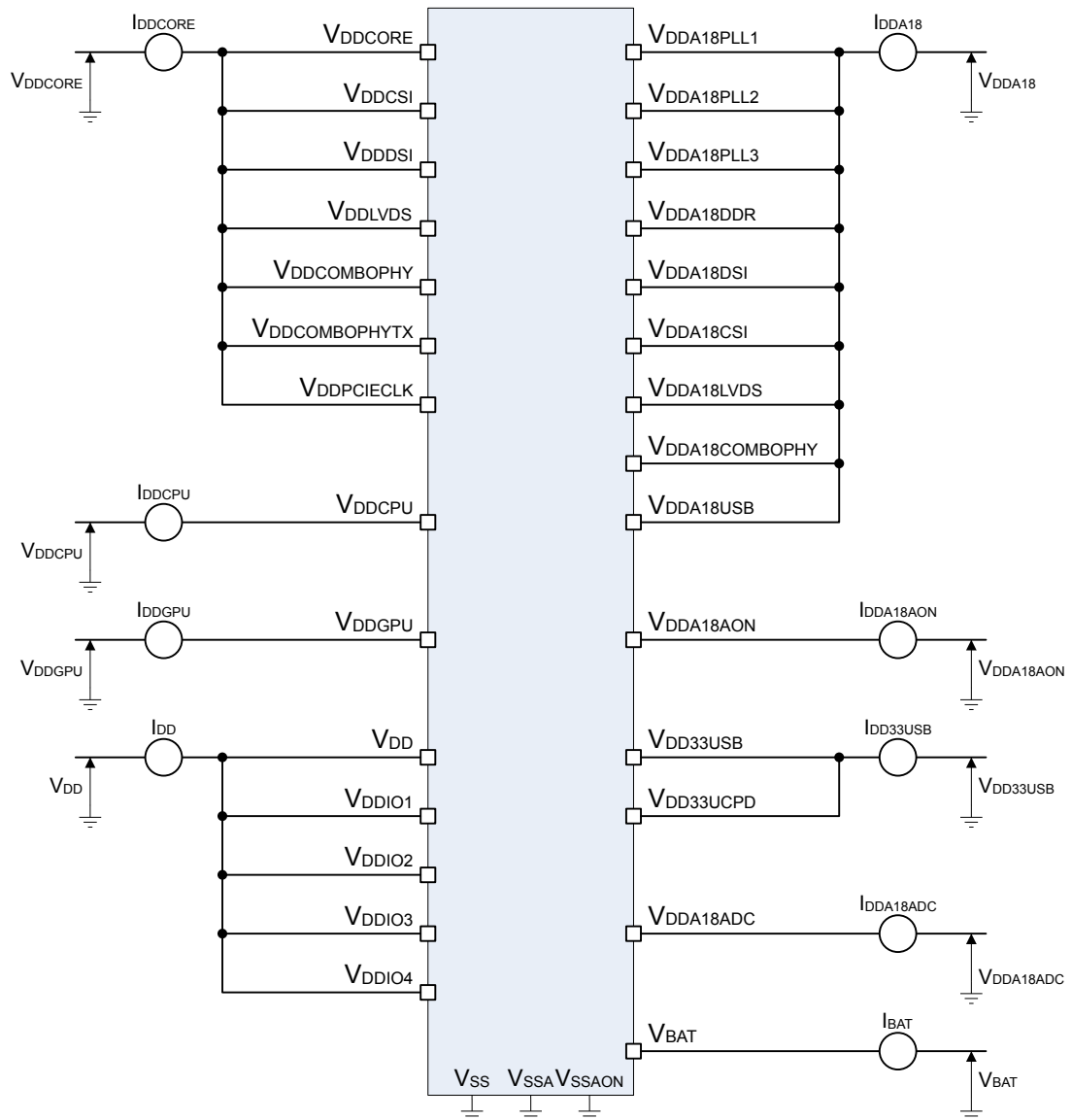


Caution: Each power supply pair (V_{DD}/V_{SS} , V_{DDCORE}/V_{SS} , V_{DDA}/V_{SSA} ...) must be decoupled with filtering ceramic capacitors. These capacitors must be placed as close as possible to, or below, the appropriate pins on the underside of the PCB to ensure good operation of the device. It is not recommended to remove filtering capacitors to reduce PCB size or cost. This might cause incorrect operation of the device.

The number of needed capacitances and their values are provided in AN5489 "Getting started with STM32MP25x lines hardware development" available from the ST website www.st.com.

6.1.7 Current consumption measurement

Figure 13. Current consumption measurement scheme



DT74103V1

6.2 Absolute maximum ratings

Stresses above the absolute maximum ratings listed in Table 14. Voltage characteristics, Table 15. Current characteristics, and Table 16. Thermal characteristics may cause permanent damage to the device. These are stress ratings only and the functional operation of the device at these conditions is not implied. Exposure to maximum rating conditions for extended periods may affect device reliability. Device mission profile (application conditions) is compliant with JEDEC JESD47 qualification standard, extended mission profiles are available on demand.

Table 14. Voltage characteristics

Specified by design, not tested in production.

All powers and grounds pins must always be connected to an external power supply, in the permitted range.

Symbols	Ratings	Min	Max	Unit
$V_{DDX} - V_{SS}$ range 1.8 V	External supply voltage (including V_{DD} , V_{DDIOx} , V_{BAT})	-0.3	2	V
$V_{DDX} - V_{SS}$ range 3.3 V	External supply voltage (including V_{DD} , V_{DDIOx} , V_{BAT} , $V_{DD33USB}$, $V_{DD33UCPD}$)	-0.3	3.7	
$V_{DDCORE} - V_{SS}$	External core supply voltage (including V_{DDCORE} , V_{DDCPU} , V_{DDGPU} , V_{DDCSI} , V_{DDDSI} , V_{DDLVDs} , $V_{DDCOMBOPHY}$, $V_{DDCOMBOPHYTX}$, $V_{DDPCIECLK}$)	-0.3	0.99	
$V_{DDQDDR} - V_{SS}$	DDR IO supply voltage	-0.3	1.575	
$V_{DDA18} - V_{SS}$	1.8 V supply voltage (including $V_{DDA18AON}$, $V_{DDA18PLL1}$, $V_{DDA18PLL2}$, $V_{DDA18PLL3}$, $V_{DDA18DSI}$, $V_{DDA18CSI}$, $V_{DDA18LVDS}$, $V_{DDA18COMBOPHY}$, $V_{DDA18DDR}$, $V_{DDA18USB}$, $V_{DDA18ADC}$)	-0.3	1.98	
$V_{IN}^{(1)}$	Input voltage on TT_xx pins ($V_{DDIOxVRSEL} = 0$)	$V_{SS} - 0.3$	$\min(V_{DDIOx} + 0.3, 3.6)$	
	Input voltage on TT_xx pins ($V_{DDIOxVRSEL} = 1$)		$\min(V_{DDIOx} + 0.3, 1.98)$	
	Input voltage on UCPD pins		$V_{DD3V3_UCPD} + 1.935$	
	Input voltage on USB3DR or USBH_HS DP/DM pins		$\min(V_{DD3V3_USB} + 0.3, 3.6)^{(2)}$	
	Input voltage on COMBOPHY pins		$\min(V_{DDCOMBOPHY} + 0.3, 0.99)$	
	Input voltage on CSI pins		1.35	
$ \Delta V_{DDx} $	Variations between different VDDX power pins of the same domain	-	50	mV
$ V_{SSx} - V_{SS} $	Variations between all the different ground pins	-	50	

1. V_{IN} maximum must always be respected. Refer to next table for the maximum allowed injected current values.

2. When the supply is not present, the IOs tolerate being pulled to 3.5 V maximum through external resistors.

Table 15. Current characteristics

Specified by design, not tested in production.

Symbols	Ratings	Condition	Max	Unit
I_{IO}	Output current sunk/source by any I/O and control pin	$T_J > 110\text{ }^\circ\text{C}$	4	mA
		$90\text{ }^\circ\text{C} < T_J \leq 110\text{ }^\circ\text{C}$	10	
		$-40\text{ }^\circ\text{C} < T_J \leq 90\text{ }^\circ\text{C}$	20	
$\sum I_{INJ}(PIN)$	Total injected current (sum of all I/Os and control pins)		± 25	

1. When several inputs are submitted to a current injection, the maximum $\sum I_{INJ}(PIN)$ is the absolute sum of the positive and negative injected currents (instantaneous values).



Table 16. Thermal characteristics

Specified by design, not tested in production.

Symbol	Ratings	Value	Unit
T _{STG}	Storage temperature range	-65 to +150	°C
T _J	Maximum junction temperature (suffix 3)	125	

6.3 Operating conditions

6.3.1 General operating conditions

Table 17. General operating conditions

Voltages in this table represent DC value at ball level.

Symbol	Parameter	Operating conditions	Min	Typ	Max	Unit
F _{cpu1}	Clock frequency of Cortex-A35		0	-	1200	MHz
F _{cpu1_overdrive} ⁽¹⁾	Clock frequency of Cortex-A35 in overdrive	STM32MP25xF only	0	-	1500	
F _{gpu} ⁽¹⁾	Clock frequency of GPU/NPU		0	-	800	
F _{gpu_overdrive} ⁽¹⁾	Clock frequency of GPU/NPU in overdrive	STM32MP25xF only	0	-	900	
F _{ddrctrl}	Clock frequency of DDR memory ⁽²⁾	DDR3L DLL ON	300	-	1066	
		DDR3L DLL OFF	0	-	125	
		DDR4 DLL ON	625	-	1200	
		DDR4 DLL OFF	20	-	125	
		LPDDR4	10	-	1200	
F _{ck_ics_hs_mcu}	Clock frequency of Cortex-M33, MCU MLAHB memory		0	-	400	
F _{ck_ics_m_gpu} ⁽¹⁾	Clock frequency of GPU/NPU bus		0	-	600	
F _{ck_ics_ddr}	Clock frequency of Cortex-A35 AXI buses, DDRCTRL AXI buses		0	-	600	
F _{ck_ics_hsl}	Clock frequency of PCIE, USB3DR, USBH, ETH1, ETH2 buses		0	-	300	
F _{ck_ics_ls_mcu}	Clock frequency of MCU MLAHB, Cortex-M0+, MCU and SmartRun domain peripherals buses	In Run mode	0	-	200	
	Clock frequency of Cortex-M0+ and SmartRun domain peripherals buses	In D3 autonomous mode	0	-	16	
F _{ck_ics_sdmmc}	Clock frequency of MPU AHB5		0	-	200	
F _{ck_ics_nic}	Clock frequency of MPU GIC and BOOTROM		0	-	400	
F _{ck_ics_vid} ⁽¹⁾	Clock frequency of MPU VDEC and VENC bus		0	-	600	
V _{DDA18AON} ⁽³⁾	Internal analog supply voltage		1.75 ⁽⁴⁾	1.8	1.89 ⁽⁵⁾	V
V _{DD} ⁽³⁾	I/Os supply voltage	1.8 V range	1.71	1.8	1.89 ⁽⁵⁾	V
		3.3 V range ⁽⁶⁾	3	3.3	3.6	V
V _{DDIO1} , V _{DDIO2} , V _{DDIO3} , V _{DDIO4} ⁽⁷⁾	Specific I/Os supply voltage	1.8 V range	1.71	1.8	1.89 ⁽⁵⁾	V
		3 V / 3.3 V range ⁽⁸⁾	2.7	3.3	3.6	V
V _{DDCORE} , V _{DDCSI} , V _{DDDSI} , V _{DDLVD} , V _{DDCOMBOPHY} , V _{DDCOMBOPHYTX} , V _{DDPCIECLK} ⁽⁹⁾	Main digital logic supply voltage	Run1/2 mode	0.79	0.82	0.842	V
		Stop1/2, LP-Stop1/2 mode	0.79	0.82	0.842	V
		LPLV-Stop1/2 mode	0.64	0.67	0.842 ⁽¹⁰⁾	V
		Standby1/2 mode	0	0	0.48	V

Symbol	Parameter	Operating conditions	Min	Typ	Max	Unit
V _{DDCPU}	Cortex-A35 supply voltage	Run1, Stop1 or LP-Stop1 mode, F _{cpu1_overdrive} range ⁽¹⁾	0.87	0.91	0.935	V
		Run1, Stop1 or LP-Stop1 mode, F _{cpu1} range	0.765	0.8	0.842	V
		LPLV-Stop1 (LPCFG_D1 = 0)	0.64	0.67	0.842 ⁽¹⁰⁾	V
		Run2, Stop2, LP-Stop2, LPLV-Stop2 or Standby1/2 mode	0	0	0.48	V
V _{DDGPU} ⁽¹⁾	GPU supply voltage	F _{gpu1_overdrive} range	0.86	0.9	0.961	V
		F _{gpu1} range	0.76	0.8	0.839	V
V _{DDA18PLL1} , V _{DDA18PLL2} , V _{DDA18PLL3} , V _{DDA18DSI} , V _{DDA18CSI} , V _{DDA18LVDS} , V _{DDA18COMBOPHY} Y ⁽⁹⁾⁽¹¹⁾	1.8 V analog supply for PLLs, DSI/CSI/LVDS PHYs and COMBOPHY		1.71	1.8	1.89 ⁽⁵⁾	V
V _{DDA18DDR} ⁽¹²⁾	1.8 V analog supply for DDRPHY		1.71	1.8	1.89	V
V _{DDA18USB} ⁽¹²⁾	1.8 V analog supply for USBPHY		1.75	1.8	1.89 ⁽⁵⁾	V
V _{DD33USB} , V _{DD33UCPD}	3.3V USB supply		3.07	3.3	3.6	V
V _{DDA18ADC}	ADC operating voltage		1.62	1.8	1.89 ⁽⁵⁾	V
V _{REF+}	ADC reference voltage		1.1	-	V _{DDA18ADC}	V
V _{BAT}	Backup operating voltage		2.3 ⁽¹³⁾	-	3.6	V
V _{DDQDDR}	DDR PHY supply voltage ⁽²⁾	DDR3L memory	1.283	1.35	1.45	V
		DDR4 memory	1.14	1.2	1.26	
		LPDDR4 memory	1.06	1.1	1.17	
V _{O8CAP}	Backup regulator output voltage ⁽¹⁴⁾		0.72	0.8	0.88	V
V _{IN}	I/O Input voltage	I/O	-0.3	-	V _{DDxx} + 0.3 ⁽¹⁵⁾	V
		I/O when ADC is used			V _{DDA18ADC} + 0.3	
		ANA0/ANA1			V _{DDA18AON} + 0.3	
		I/O when PVD_IN is used			V _{DD3V3_UCPD} + 1.935	
		UCPD IOs			V _{DDQDDR}	
		DDR I/O				
T _J	Junction temperature range	Suffix 3 version	-40	-	125	°C

1. Feature might be limited or absent in some devices or packages. See [Table 1](#) for details.

2. Values depend on the external memory device choice.

3. V_{DDA18AON} and V_{DD} must be present before any other supply.

4. Functional down to 1.71 V if UCPD is not used.
5. Static condition. 1.98 V allowed during transients.
6. Requires $VDDIOVRSEL = 0$.
7. These supplies are independent, that means each one could be in any of the following voltage ranges: 0 V (OFF), 1.8 V, 3 V or 3.3 V.
8. Requires $VDDIOxVRSEL = 0$
9. All these supplies are usually connected together.
10. This is the max allowed voltage, however LPLV-Stop mode is relevant only to save power, so requires voltage as low as possible (that is external regulator set for typical value, then the maximum voltage is few percent above the typical due to regulator accuracy).
11. The $V_{DDA18PLLx}$ must be connected together.
12. Could be connected to other $V_{DDA18xx}$ supplies if min/max range fulfilled.
13. Except when connected to V_{DD} where lower limit is then 1.71 V.
14. This pin is used only to connect a decoupling capacitor for internal backup regulator, this pin must never be used externally for other purposes.
15. V_{DDxx} stands for V_{DD} , V_{DDIO1} , V_{DDIO2} , V_{DDIO3} or V_{DDIO4} .

6.3.2 Operating conditions at power-up / power-down

Subject to general operating conditions.

Constraints on power supply sequences:

- $V_{DDA18AON}$ and V_{DD} must be present before any other supply (except V_{BAT}) and kept present whenever any other supply is present (except V_{BAT}). Damage could occur if not ensured.
- $V_{DDA18AON}$ and V_{DD} must ramp up and ramp down together (within a 1 ms time windows). Damage could occur if not ensured.
- $V_{DDA18USB}$ must be present whenever $V_{DD33USB}$ is present. Damage could occur if not ensured.
- V_{DDCORE} must be present whenever $V_{DDA18USB}$ and/or $V_{DDA33USB}$ are present. If not ensured, leakage could occur on these supplies until V_{DDCORE} is present.

Table 18. Operating conditions at power-up / power-down

Symbol	Parameter	Operating conditions	Min	Max	Unit
$t_{VDDA18AON}$	$V_{DDA18AON}$ transitions	Rise time rate	20	1500	$\mu\text{s/V}$
		Fall time rate	20	1500	
t_{VDD}	V_{DD}/V_{DDIOx} transitions	Rise time rate	20	1500	
		Fall time rate	20	1500	
$t_{VDDCORE}$	V_{DDCORE} transitions	Rise time rate	20	1500	
		Fall time rate	25	1500	
t_{VDDCPU} , t_{VDDGPU} , t_{VDDCSI} , t_{VDDSI} , $t_{VDDLVDs}$, $t_{VDDCOMBOPHY}$, $t_{VDDCOMBOPHYTX}$, $t_{VDDPCIECLK}$	V_{DDCPU} , V_{DDGPU} , V_{DDCSI} , V_{DDSI} , V_{DDLVDs} , $V_{DDCOMBOPHY}$, $V_{DDCOMBOPHYTX}$, $V_{DDPCIECLK}$ transitions	Rise time rate	10	1500	
		Fall time rate	10	1500	
t_{VDDA18}	$V_{DDA18PLL1}$, $V_{DDA18PLL2}$, $V_{DDA18PLL3}$, $V_{DDA18DSI}$, $V_{DDA18CSI}$, $V_{DDA18LVDS}$, $V_{DDA18COMBOPHY}$, $V_{DDA18DDR}$, $V_{DDA18USB}$, $V_{DDA18ADC}$ transitions	Rise time rate	10	1500	
		Fall time rate	10	1500	
t_{VDD33}	$V_{DD33USB}$, $V_{DD33UCPD}$ transitions	Rise time rate	10	1500	
		Fall time rate	10	1500	
$t_{VDDQDDR}$	V_{DDQDDR} transitions	Rise time rate	10	1500	
		Fall time rate	10	1500	

Symbol	Parameter	Operating conditions	Min	Max	Unit
t _{VBAT}	V _{BAT} transitions	Rise time rate	20	∞	μs/V
		Fall time rate	10	1500	

6.3.3 Embedded reset and power control block characteristics

The parameters given in Table 19 are derived from tests performed under ambient temperature and supply voltage conditions summarized in Table 17. General operating conditions.

Table 19. Embedded reset and power control block characteristics

Evaluated by characterization, not tested in production unless otherwise specified.

Symbol	Parameter	Conditions	Min	Typ	Max	Unit	
t _{RSTTEMPO}	Reset temporization	After POR released	-	440	-	μs	
V_{DDA18AON} thresholds							
V _{POR_ANA} ⁽¹⁾	Power-on reset threshold	Rising edge	1.62	1.67	1.71	V	
V _{PDR_ANA} ⁽¹⁾	Power-down reset threshold	Falling edge	1.58	1.63	1.67		
V _{hyst_POR_ANA}	Hysteresis voltage of POR/PDR	-	-	40	-	mV	
I _{POR_PDR(VDDA18AON)}	Supply current on V _{DDA18AON}	Always ON	-	1.25	-	μA	
V_{DD} thresholds							
V _{POR} ⁽¹⁾	Power-on reset threshold	Rising edge	1.62	1.67	1.71	V	
V _{PDR} ⁽¹⁾	Power-down reset threshold	Falling edge	1.58	1.63	1.67		
V _{hyst_POR}	Hysteresis voltage of POR/PDR	-	-	40	-	mV	
I _{POR_PDR(VDDA18AON)}	Supply current on V _{DDA18AON}	Always ON	-	0.75	-	μA	
I _{POR_PDR(VDD)}	Supply current on V _{DD}	Always ON	V _{DD} = 1.8 V	-	0.5	-	μA
			V _{DD} = 3.3 V	-	0.92	-	
V _{BOR0} ⁽¹⁾	Brown-out reset threshold 0	Rising edge	1.62	1.67	1.71	V	
		Falling edge	1.58	1.63	1.67		
V _{BOR1} ⁽¹⁾	Brown-out reset threshold 1	Falling edge	-	-	2.97	V	
V _{hyst_BOR0}	Hysteresis voltage of BOR0	-	-	40	-	mV	
V _{hyst_BOR1}	Hysteresis voltage of BOR1	-	-	80	-	mV	
I _{BOR(VDDA18AON)}	Supply current on V _{DDA18AON}	BOR enabled in OTP	-	0.75	-	μA	
V_{DDCPU} thresholds							
V _{RDY_VDDCPU} ⁽¹⁾	Threshold on rising edge	Normal modes	0.63	0.66	0.69	V	
		LPLV modes	0.55	0.58	0.61		
V _{hyst_VDDCPU}	Hysteresis on falling edge	-	-	23	-	mV	
T _{delay_VDDCPU}	Delay after detection	Rising edge	180	400	750	μs	
		Falling edge	-	0	-		
I _{RDY_VDDCPU(VDDA18AON)}	Supply current on V _{DDA18AON}	Always ON	-	1.2	-	μA	
V_{DDCORE} thresholds							
V _{RDY_VDDCORE} ⁽¹⁾	Threshold on rising edge	Normal modes	0.63	0.66	0.69	V	
		LPLV modes	0.55	0.58	0.61		

Symbol	Parameter	Conditions	Min	Typ	Max	Unit
V _{hyst_VDDCORE}	Hysteresis on falling edge	-	-	23	-	mV
T _{delay_VDDCORE}	Delay after detection	Rising edge	180	400	750	µs
		Falling edge	-	0	-	
I _{RDY_VDDCORE(VDDA18AON)}	Supply current on V _{DDA18AON}	Always ON	-	1.2	-	µA

1. *Guaranteed by test in production.*

6.3.4 Embedded reference voltage

The parameters given in Table 20 and Table 21 are derived from tests performed under ambient temperature and V_{DD} supply voltage conditions summarized in Table 17. [General operating conditions](#) .

Table 20. Embedded reference voltage characteristics

Evaluated by characterization, not tested in production unless otherwise specified.

Symbol	Parameter	Conditions	Min	Typ	Max	Unit
V _{REFINT} ⁽¹⁾	Internal reference voltages	-40 °C < T _J < 125 °C	0.792	0.8	0.808	V
t _{S_VREFINT} ⁽²⁾	ADC sampling time when reading the internal reference voltage	-	34	-	-	ns
DV _{REFINT}	Internal reference voltage spread over the temperature range	-40 °C < T _J < 125 °C	-4	-	+4	mV
T _{coeff}	Average temperature coefficient	-40 °C < T _J < 125 °C	-	-	43	ppm/°C
V _{DDcoeff}	Average voltage coefficient	1.71 < V _{DDA18AON} < 1.89	-	-	1250	ppm/V

1. *Guaranteed by test in production.*

2. *Specified by design, not tested in production.*

Table 21. Embedded reference voltage calibration value

Symbol	Parameter	Memory address
VREFINT_CAL	Raw data acquired on ADC1 at temperature of 30 °C, V _{DDA18ADC} = V _{REF+} = 1.8 V	0x4400 01B8[11:0] ⁽¹⁾⁽²⁾

1. *This is BSEC_FVR110 register which is not automatically shadowed with OTP content, so a fuse read sequence must be issued to get the register updated once (clear after reading). Refer to product reference manual - BSEC section "Operations on fuses".*

2. *Must be read in 32-bit words and relevant masking and shifting must be performed to isolate the required bits.*

6.3.5 Supply current characteristics

The current consumption is a function of several parameters and factors such as the operating voltage, ambient temperature, I/O pin loading, device software configuration, operating frequencies, I/O pin switching rate, program location in memory and executed binary code.

The current consumption is measured as described in Figure 13. [Current consumption measurement scheme](#).

All the Run mode current consumption measurements given in this section are performed with a CoreMark code unless otherwise specified.

Supply current characteristics are evaluated by characterization, not tested in production unless otherwise specified.

6.3.5.1 Typical and maximum current consumption

The device is placed under the following conditions:

- All I/O pins are in analog input mode except when explicitly mentioned
- All peripherals are disabled except when explicitly mentioned
- RTC/LSE are disabled, unless otherwise specified

- BKPSRAM, RETRAM, LPSRAM1 backup supplies in low-power modes (such as LPLV-Stop, Standby and V_{BAT} modes) are disabled, unless otherwise specified
- Unless otherwise specified, the typical values are obtained for:
 - V_{DD} / V_{DDIOx} / V_{BAT} = 3.3 V
 - V_{DDCORE} = 0.82 V
 - V_{DDCPU} = 0.8 V
 - V_{DDGPU} = 0.8 V
 - V_{DDA18} / V_{DDA18AON} = 1.8 V
 and the maximum values are obtained for:
 - V_{DD} / V_{DDIOx} / V_{BAT} = 3.6 V
 - V_{DDCORE} = 0.842 V
 - V_{DDCPU} = 0.842 V
 - V_{DDGPU} = 0.839 V
 - V_{DDA18} / V_{DDA18AON} = 1.89 V

The parameters given in [Table 22](#) to [Table 34](#) are derived from tests performed under supply voltage conditions summarized in [Table 17](#). **General operating conditions** .

Table 22. Current consumption (I_{DDCORE}) in Run modes

Evaluated by characterization, not tested in production unless otherwise specified.

Except otherwise noted, typical values given with V_{DDCORE} = 0.82 V, V_{DDCPU} = 0.8 V and V_{DDGPU} = 0.8 V, maximum values given with V_{DDCORE} = 0.842 V, V_{DDCPU} = 0.842 V and V_{DDGPU} = 0.839 V.

Symbol	Parameter	Conditions										Typ	Max					Unit
		-	D1 (CPU1) ⁽¹⁾ mode	D2 (CPU2) mode	D3 (CPU3) mode	Osc.	CPU1 clk (MHz)	AXI clk (MHz) (2)	CPU2 clk (MHz)	CPU3 clk (MHz)	GPU clk (MHz)		T _J = 25 °C	T _J = 25 °C	T _J = 85 °C	T _J = 105 °C	T _J = 125 °C	
I _{DDCORE} ⁽³⁾	Supply current in Run mode	All peripherals Enabled ⁽⁴⁾	DRun (CRun: P0&P1)	Run1 (CRun)	SRun1 (CRun)	HSE + HSI + PLL	1500 ⁽⁵⁾	600	400	200	900 ⁽⁶⁾	245	330	600	780	1200	mA	
							1200	600	400	200	800	245	320	590	770	1200		
							750	600	400	200	800	245	320	590	770	1200		
							600	600	400	200	800	245	320	590	770	1200		
I _{DDCORE} ⁽⁷⁾	Supply current in Run mode	All peripherals Enabled ⁽⁴⁾	DRun (CRun: P0&P1)	Run1 (CRun)	SRun1 (CRun)	HSE + HSI + PLL	1500 ⁽⁵⁾	600	400	200	900 ⁽⁶⁾	195	270	540	720	1100	mA	
							1200	600	400	200	800	195	260	530	710	1100		
							750	600	400	200	800	195	260	530	710	1100		
							600	600	400	200	800	195	260	530	710	1100		
I _{DDCORE} ⁽⁸⁾	Supply current in Run mode	All peripherals Enabled ⁽⁴⁾	DRun (CRun: P0&P1)	Run1 (CRun)	SRun1 (CRun)	HSE + HSI + PLL	1500 ⁽⁵⁾	600	400	200	-	195	270	530	710	1100	mA	
							1200	600	400	200	-	195	260	530	710	1100		
							750	600	400	200	-	195	260	530	710	1100		
							600	600	400	200	-	195	260	530	710	1100		
I _{DDCORE} ⁽⁹⁾	Supply current in Run mode	All peripherals Enabled ⁽⁴⁾	DRun (CRun: P0)	Run1 (CRun)	SRun1 (CRun)	HSE + HSI + PLL	1500 ⁽⁵⁾	600	400	200	-	185	250	520	700	1100	mA	
							1200	600	400	200	-	185	250	520	700	1100		
							750	600	400	200	-	185	250	520	700	1100		
							600	600	400	200	-	185	250	520	700	1100		
I _{DDCORE} ⁽³⁾	Supply current in Run mode	All peripherals Enabled ⁽⁴⁾	DRun (CRun: P0&P1)	Run1 (Cstop)	SRun1 (CStop)	HSE + HSI + PLL	1500 ⁽⁵⁾	600	-	-	900 ⁽⁶⁾	225	300	570	750	1100	mA	
							1200	600	-	-	800	220	300	570	750	1100		
							750	600	-	-	800	220	300	560	740	1100		
							600	600	-	-	800	220	300	560	740	1100		
I _{DDCORE} ⁽⁷⁾	Supply current in Run mode	All peripherals Enabled ⁽⁴⁾	DRun (CRun: P0&P1)	Run1 (Cstop)	SRun1 (CStop)	HSE + HSI + PLL	1500 ⁽⁵⁾	600	-	-	900 ⁽⁶⁾	170	240	510	690	1100	mA	
							1200	600	-	-	800	170	240	510	680	1100		
							750	600	-	-	800	170	240	500	680	1100		



Symbol	Parameter	Conditions										Typ		Max					Unit
		-	D1 (CPU1) ⁽¹⁾ mode	D2 (CPU2) mode	D3 (CPU3) mode	Osc.	CPU1 clk (MHz)	AXI clk (MHz) (2)	CPU2 clk (MHz)	CPU3 clk (MHz)	GPU clk (MHz)	T _J = 25 °C	T _J = 25 °C	T _J = 85 °C	T _J = 105 °C	T _J = 125 °C			
I _{DDCORE} ⁽⁷⁾	Supply current in Run mode	All peripherals Enabled ⁽⁴⁾	DRun (CRun: P0&P1)	Run1 (Cstop)	SRun1 (CStop)	HSE + HSI + PLL	600	600	-	-	800	170	240	500	680	1100	mA		
I _{DDCORE} ⁽⁸⁾	Supply current in Run mode	All peripherals Enabled ⁽⁴⁾	DRun (CRun: P0&P1)	Run1 (Cstop)	SRun1 (CStop)	HSE + HSI + PLL	1500 ⁽⁵⁾	600	-	-	-	170	240	510	680	1100	mA		
							1200	600	-	-	-	170	240	500	680	1100			
							750	600	-	-	-	170	240	500	680	1100			
							600	600	-	-	-	170	240	500	680	1100			
I _{DDCORE} ⁽⁹⁾	Supply current in Run mode	All peripherals Enabled ⁽⁴⁾	DRun (CRun: P0)	Run1 (Cstop)	SRun1 (CStop)	HSE + HSI + PLL	1500 ⁽⁵⁾	600	-	-	-	160	230	490	670	1000	mA		
							1200	600	-	-	-	160	230	490	670	1000			
							750	600	-	-	-	160	230	490	670	1000			
							600	600	-	-	-	160	230	490	670	1000			
I _{DDCORE} ⁽¹⁰⁾	Supply current in Run mode	All peripherals Disabled	DRun (CRun: P0&P1)	Run1 (CRun)	SRun1 (CRun)	HSE + HSI + PLL	1500 ⁽⁵⁾	600	400	200	900 ⁽⁶⁾	97	160	420	600	940	mA		
							1200	600	400	200	800	97	160	420	600	940			
							750	600	400	200	800	96.5	160	420	600	940			
							600	600	400	200	800	96.5	160	420	600	930			
I _{DDCORE} ⁽¹¹⁾	Supply current in Run mode	All peripherals Disabled	DRun (CRun: P0&P1)	Run1 (CRun)	SRun1 (CRun)	HSE + HSI + PLL	1500 ⁽⁵⁾	600	400	200	-	97	160	420	600	930	mA		
							1200	600	400	200	-	97	160	420	600	930			
							750	600	400	200	-	96.5	160	420	600	930			
							600	600	400	200	-	96.5	160	420	600	930			
I _{DDCORE}	Supply current in Run mode	All peripherals Disabled	DRun (CRun: P0)	Run1 (CRun)	SRun1 (CRun)	HSE + HSI + PLL	1500 ⁽⁵⁾	600	400	200	-	97	160	420	600	930	mA		
							1200	600	400	200	-	97	160	420	600	930			
							750	600	400	200	-	96.5	160	420	600	930			
							600	600	400	200	-	96.5	160	420	600	930			
I _{DDCORE} ⁽¹¹⁾	Supply current in Run mode	All peripherals Disabled	DRun (CRun: P0&P1)	Run1 (Cstop)	SRun1 (CStop)	HSE + HSI + PLL	1500 ⁽⁵⁾	600	-	-	-	49.5	100	370	540	870	mA		
							1200	600	-	-	-	49	100	370	540	870			
							750	600	-	-	-	49	100	360	540	870			
							600	600	-	-	-	48.5	100	360	540	870			
							300	300	-	-	-	43.5	94	360	530	860			



Symbol	Parameter	Conditions										Typ		Max					Unit
		-	D1 (CPU1) ⁽¹⁾ mode	D2 (CPU2) mode	D3 (CPU3) mode	Osc.	CPU1 clk (MHz)	AXI clk (MHz) (2)	CPU2 clk (MHz)	CPU3 clk (MHz)	GPU clk (MHz)	T _J = 25 °C	T _J = 25 °C	T _J = 85 °C	T _J = 105 °C	T _J = 125 °C			
I _{DDCORE} ⁽¹¹⁾	Supply current in Run mode	All peripherals Disabled	DRun (CRun: P0&P1)	Run1 (Cstop)	SRun1 (CStop)	HSE + HSI + PLL	150	150	-	-	-	41	91	350	530	860	mA		
						HSI	HSI 64	HSI 64	-	-	-	36.5	86	350	520	850			
						HSE + HSI	HSE 40	HSE 40	-	-	-	35.5	84	350	520	850			
I _{DDCORE}	Supply current in Run mode	All peripherals Disabled	DRun (CRun: P0)	Run1 (Cstop)	SRun1 (CStop)	HSE + HSI + PLL	1500 ⁽⁵⁾	600	-	-	-	49	100	370	540	870	mA		
							1200	600	-	-	-	49	100	360	540	870			
							750	600	-	-	-	48.5	100	360	540	870			
							600	600	-	-	-	48.5	100	360	540	870			
							300	300	-	-	-	43.5	94	360	530	860			
							150	150	-	-	-	41	91	350	530	860			
						HSI	HSI 64	HSI 64	-	-	-	36.5	86	350	520	850			
I _{DDCORE}	Supply current in Run mode	All peripherals Disabled	DStop1 (CStop)	Run1 (CRun)	SRun1 (CStop)	HSE + HSI + PLL	-	HSI 64	400	-	-	83	140	400	580	910	mA		
							-	HSI 64	200	-	-	56	110	370	550	870			
							-	HSI 64	100	-	-	43	92	360	530	860			
						HSI	-	HSI 64	HSI 64	-	-	38.5	89	350	520	850			
						HSE + HSI	-	HSI 64	HSE 40	-	-	34	82	350	520	850			
I _{DDCORE}	Supply current in Run mode	All peripherals Disabled	DStandby ⁽¹²⁾ ⁽¹³⁾ (CStandby)	Run2 (CRun)	SRun1 (CStop)	HSE + HSI + PLL	-	HSI 64	400	-	-	83	160	400	580	910	mA		
							-	HSI 64	200	-	-	56	120	370	550	870			
							-	HSI 64	100	-	-	43	95	360	530	860			
						HSI	-	HSI 64	HSI 64	-	-	38.5	90	350	520	850			
						HSE + HSI	-	HSI 64	HSE 40	-	-	34	83	350	520	840			
I _{DDCORE}	Supply current in Run mode	All peripherals Disabled	DStandby (CStandby) ⁽¹²⁾ ⁽¹³⁾	Run2 (CRun)	SRun1 (CRun)	HSE + HSI + PLL	-	HSI 64	400	200	-	85	170	410	580	910	mA		
							-	HSI 64	200	100	-	57.5	120	370	550	870			



Symbol	Parameter	Conditions										Typ	Max					Unit
		-	D1 (CPU1) ⁽¹⁾ mode	D2 (CPU2) mode	D3 (CPU3) mode	Osc.	CPU1 clk (MHz)	AXI clk (MHz) ⁽²⁾	CPU2 clk (MHz)	CPU3 clk (MHz)	GPU clk (MHz)	T _J = 25 °C	T _J = 25 °C	T _J = 85 °C	T _J = 105 °C	T _J = 125 °C		
I _{DDCORE}	Supply current in Run mode	All peripherals Disabled	DStandby (CStandby) ⁽¹²⁾ ⁽¹³⁾	Run2 (CRun)	SRun1 (CRun)	HSE + HSI + PLL	-	HSI 64	100	50	-	43.5	95	360	530	860	mA	
						HSI	-	HSI 64	HSI 64	HSI 64	-	39	91	350	530	850		
						HSE + HSI	-	HSI 64	HSE 40	HSE 40	-	34.5	83	350	520	850		
I _{DDCORE}	Supply current in Run mode	All peripherals Disabled	DRun (CSleep)	Run1 (Cstop)	SRun1 (CStop)	HSE + HSI + PLL	1500 ⁽⁵⁾	600	-	-	-	49	100	360	540	870	mA	
							1200	600	-	-	-	49	100	360	540	870		
							750	600	-	-	-	48.5	100	360	540	870		
							600	600	-	-	-	48.5	100	360	540	870		
							300	300	-	-	-	43.5	94	360	530	860		
							150	150	-	-	-	41	91	350	530	860		
							HSI	HSI 64	HSI 64	-	-	-	36.5	86	350	520		850
							HSE + HSI	HSE 40	HSE 40	-	-	-	35.5	84	350	520		850
I _{DDCORE}	Supply current in Run mode	All peripherals Disabled	DRun ⁽¹⁴⁾ (eCSleep)	Run1 (Cstop)	SRun1 (CStop)	HSE + HSI + PLL	1500 ⁽⁵⁾	600	-	-	-	48.5	99	360	540	870	mA	
							1200	600	-	-	-	48.5	99	360	540	870		
							750	600	-	-	-	48.5	99	360	540	870		
							600	600	-	-	-	48.5	99	360	540	870		
							300	300	-	-	-	43.5	94	360	530	860		
							150	150	-	-	-	41	91	350	530	860		
							HSI	HSI 64	HSI 64	-	-	-	36.5	86	350	520		850
							HSE + HSI	HSE 40	HSE 40	-	-	-	35.5	84	350	520		850
I _{DDCORE}	Supply current in Run mode	All peripherals Disabled	DStop1 (CStop)	Run1 (CSleep)	SRun1 (CStop)	HSE + HSI + PLL	-	HSI 64	400	-	-	65.5	120	380	560	890	mA	
							-	HSI 64	200	-	-	47.5	97	360	540	860		
							-	HSI 64	100	-	-	38.5	87	350	530	850		
							HSI	-	HSI 64	HSI 64	-	-	35.5	85	350	520		850



Symbol	Parameter	Conditions										Typ	Max					Unit
		-	D1 (CPU1) ⁽¹⁾ mode	D2 (CPU2) mode	D3 (CPU3) mode	Osc.	CPU1 clk (MHz)	AXI clk (MHz) (2)	CPU2 clk (MHz)	CPU3 clk (MHz)	GPU clk (MHz)	T _J = 25 °C	T _J = 25 °C	T _J = 85 °C	T _J = 105 °C	T _J = 125 °C		
I _{DDCORE}	Supply current in Run mode	All peripherals Disabled	DStop1 (CStop)	Run1 (CSleep)	SRun1 (CStop)	HSE + HSI	-	HSI 64	HSE 40	-	-	32.5	80	340	520	850	mA	
I _{DDCORE}	Supply current in Run mode	All peripherals Disabled	DStandby (CStandby) ⁽¹²⁾ (13)	Run2 (CSleep)	SRun1 (CStop)	HSE + HSI	-	HSI 64	400	-	-	65.5	130	380	560	880	mA	
						HSE + HSI + PLL	-	HSI 64	200	-	-	47.5	110	360	540	860		
							-	HSI 64	100	-	-	38.5	88	350	530	850		
						HSI	-	HSI 64	HSI 64	-	-	35.5	86	350	520	850		
						HSE + HSI	-	HSI 64	HSE 40	-	-	32.5	80	340	520	840		

1. P0 and P1 are state of cores inside CPU1 when in CRun state. 'P0&P1' indicate that both cores are executing a test software. 'P0' indicates that only P0 is executing a test software while the other core is clock gated (either in WFI or WFE or not present in the device).
2. ck_icn_ddr.
3. Values for STM32MP257x.
4. Activity on peripherals and bus masters other than processors, could lead to additional power consumption above these values, largely dependent on the amount of initialized peripherals and their activity.
5. Typical value given with V_{DDCPU} = 0.91 V, maximum values given with V_{DDCPU} = 0.935 V.
6. Typical value given with V_{DDGPU} = 0.9 V, maximum values given with V_{DDGPU} = 0.961 V.
7. Values for STM32MP255x.
8. Values for STM32MP253x.
9. Values for STM32MP251x.
10. Values for STM32MP257x and STM32MP255x.
11. Not relevant for STM32MP251x.
12. CStandby = CStop and PDDS_D1 = 1.
13. V_{DDCPU} is shutdown.
14. eCSleep mean CPU1 in enhanced CSleep with PLL1 automatically stopped (RCC_C1SREQSETR.ESLPREQ=1).

Table 23. Current consumption (I_{DDCPU}) in Run modes

Evaluated by characterization, not tested in production unless otherwise specified.

Except otherwise noted, typical values given with $V_{DDCORE} = 0.82$ V, $V_{DDCPU} = 0.8$ V and $V_{DDGPU} = 0.8$ V, maximum values given with $V_{DDCORE} = 0.842$ V, $V_{DDCPU} = 0.842$ V and $V_{DDGPU} = 0.839$ V.

Symbol	Parameter	Conditions										Typ		Max					Unit
		-	D1 (CPU1) (1) mode	D2 (CPU2) mode	D3 (CPU3) mode	Osc.	CPU1 clk (MHz)	AXI clk (MHz) (2)	CPU2 clk (MHz)	CPU3 clk (MHz)	GPU clk (MHz)	$T_J =$ 25 °C	$T_J =$ 25 °C	$T_J =$ 85 °C	$T_J =$ 105 °C	$T_J =$ 125 °C			
$I_{DDCPU}^{(3)}$	Supply current in Run mode	All peripherals Enabled ⁽⁴⁾	DRun (CRun: P0&P1)	Run1 (CRun)	SRun1 (CRun)	HSE + HSI + PLL	1500 ⁽⁵⁾	600	400	200	900 ⁽⁶⁾	245	290	360	410	510	mA		
							1200	600	400	200	800	165	210	270	320	410			
							750	600	400	200	800	105	130	200	240	330			
							600	600	400	200	800	84.5	110	170	220	310			
$I_{DDCPU}^{(7)}$	Supply current in Run mode	All peripherals Enabled ⁽⁴⁾	DRun (CRun: P0&P1)	Run1 (CRun)	SRun1 (CRun)	HSE + HSI + PLL	1500 ⁽⁵⁾	600	400	200	900 ⁽⁶⁾	245	290	360	410	510	mA		
							1200	600	400	200	800	165	210	270	320	410			
							750	600	400	200	800	105	130	200	240	330			
							600	600	400	200	800	84	110	170	220	310			
$I_{DDCPU}^{(8)}$	Supply current in Run mode	All peripherals Enabled ⁽⁴⁾	DRun (CRun: P0&P1)	Run1 (CRun)	SRun1 (CRun)	HSE + HSI + PLL	1500 ⁽⁵⁾	600	400	200	-	245	290	360	410	510	mA		
							1200	600	400	200	-	165	210	270	320	410			
							750	600	400	200	-	105	130	200	240	330			
							600	600	400	200	-	84.5	110	170	220	310			
$I_{DDCPU}^{(9)}$	Supply current in Run mode	All peripherals Enabled ⁽⁴⁾	DRun (CRun: P0)	Run1 (CRun)	SRun1 (CRun)	HSE + HSI + PLL	1500 ⁽⁵⁾	600	400	200	-	130	160	230	280	370	mA		
							1200	600	400	200	-	89.5	120	180	220	310			
							750	600	400	200	-	57	73	140	180	270			
							600	600	400	200	-	46	61	130	170	260			
$I_{DDCPU}^{(3)}$	Supply current in Run mode	All peripherals Enabled ⁽⁴⁾	DRun (CRun: P0&P1)	Run1 (Cstop)	SRun1 (CStop)	HSE + HSI + PLL	1500 ⁽⁵⁾	600	-	-	900 ⁽⁶⁾	245	290	360	410	510	mA		
							1200	600	-	-	800	165	210	270	320	410			
							750	600	-	-	800	105	130	200	240	330			
							600	600	-	-	800	84.5	110	170	220	310			
$I_{DDCPU}^{(7)}$	Supply current in Run mode	All peripherals Enabled ⁽⁴⁾	DRun (CRun: P0&P1)	Run1 (Cstop)	SRun1 (CStop)	HSE + HSI + PLL	1500 ⁽⁵⁾	600	-	-	900 ⁽⁶⁾	245	290	360	410	510	mA		
							1200	600	-	-	800	165	210	270	320	410			
							750	600	-	-	800	105	130	200	240	330			
							600	600	-	-	800	84.5	110	170	220	310			



Symbol	Parameter	Conditions										Typ	Max					Unit
		-	D1 (CPU1) (1) mode	D2 (CPU2) mode	D3 (CPU3) mode	Osc.	CPU1 clk (MHz)	AXI clk (MHz) (2)	CPU2 clk (MHz)	CPU3 clk (MHz)	GPU clk (MHz)	T _J = 25 °C	T _J = 25 °C	T _J = 85 °C	T _J = 105 °C	T _J = 125 °C		
I _{DDCPU} ⁽⁸⁾	Supply current in Run mode	All peripherals Enabled ⁽⁴⁾	DRun (CRun: P0&P1)	Run1 (Cstop)	SRun1 (CStop)	HSE + HSI + PLL	1500 ⁽⁵⁾	600	-	-	-	245	290	360	410	530	mA	
							1200	600	-	-	-	165	210	270	320	420		
							750	600	-	-	-	105	130	200	240	330		
							600	600	-	-	-	84	110	170	220	300		
I _{DDCPU} ⁽⁹⁾	Supply current in Run mode	All peripherals Enabled ⁽⁴⁾	DRun (CRun: P0)	Run1 (Cstop)	SRun1 (CStop)	HSE + HSI + PLL	1500 ⁽⁵⁾	600	-	-	-	130	160	230	270	380	mA	
							1200	600	-	-	-	89.5	120	180	220	310		
							750	600	-	-	-	57	73	140	180	270		
							600	600	-	-	-	46	61	130	170	260		
I _{DDCPU} ⁽³⁾	Supply current in Run mode	All peripherals Disabled	DRun (CRun: P0&P1)	Run1 (CRun)	SRun1 (CRun)	HSE + HSI + PLL	1500 ⁽⁵⁾	600	400	200	900 ⁽⁶⁾	245	290	360	410	540	mA	
							1200	600	400	200	800	165	210	270	320	410		
							750	600	400	200	800	105	130	200	240	330		
							600	600	400	200	800	84	110	170	220	310		
I _{DDCPU} ⁽¹⁰⁾	Supply current in Run mode	All peripherals Disabled	DRun (CRun: P0&P1)	Run1 (CRun)	SRun1 (CRun)	HSE + HSI + PLL	1500 ⁽⁵⁾	600	400	200	-	245	290	360	410	510	mA	
							1200	600	400	200	-	165	210	270	320	410		
							750	600	400	200	-	105	130	200	240	330		
							600	600	400	200	-	84	110	170	220	310		
I _{DDCPU} ⁽⁹⁾	Supply current in Run mode	All peripherals Disabled	DRun (CRun: P0)	Run1 (CRun)	SRun1 (CRun)	HSE + HSI + PLL	1500 ⁽⁵⁾	600	400	200	-	130	160	230	280	370	mA	
							1200	600	400	200	-	89.5	120	180	220	310		
							750	600	400	200	-	57	73	140	190	270		
							600	600	400	200	-	46	60	130	170	260		
I _{DDCPU} ⁽¹⁰⁾	Supply current in Run mode	All peripherals Disabled	DRun (CRun: P0&P1)	Run1 (Cstop)	SRun1 (CStop)	HSE + HSI + PLL	1500 ⁽⁵⁾	600	-	-	-	245	290	360	410	510	mA	
							1200	600	-	-	-	165	210	270	320	410		
							750	600	-	-	-	105	130	200	240	330		
							600	600	-	-	-	84	110	170	220	310		
							300	300	-	-	-	43.5	58	120	170	250		
							150	150	-	-	-	22.5	34	95	140	230		
						HSI	HSI 64	HSI 64	-	-	-	11	23	81	130	220		



Symbol	Parameter	Conditions										Typ	Max					Unit
		-	D1 (CPU1) (1) mode	D2 (CPU2) mode	D3 (CPU3) mode	Osc.	CPU1 clk (MHz)	AXI clk (MHz) (2)	CPU2 clk (MHz)	CPU3 clk (MHz)	GPU clk (MHz)	T _J = 25 °C	T _J = 25 °C	T _J = 85 °C	T _J = 105 °C	T _J = 125 °C		
I _{DDCPU} ⁽¹⁰⁾	Supply current in Run mode	All peripherals Disabled	DRun (CRun: P0&P1)	Run1 (Cstop)	SRun1 (CStop)	HSE + HSI	HSE 40	HSE 40	-	-	-	7.45	16	77	130	210	mA	
I _{DDCPU}	Supply current in Run mode	All peripherals Disabled	DRun (CRun: P0)	Run1 (Cstop)	SRun1 (CStop)	HSE + HSI + PLL	1500 ⁽⁵⁾	600	-	-	-	130	160	230	280	370	mA	
							1200	600	-	-	-	89.5	120	180	220	310		
							750	600	-	-	-	57	73	140	180	270		
							600	600	-	-	-	46	61	130	170	260		
							300	300	-	-	-	24	35	97	150	230		
							150	150	-	-	-	13	23	84	130	220		
							HSI	HSI 64	HSI 64	-	-	-	6.85	17	76	120		210
HSE + HSI	HSE 40	HSE 40	-	-	-	5	14	74	120	210								
I _{DDCPU}	Supply current in Run mode	All peripherals Disabled	DStop1 (CStop)	Run1 (CRun)	SRun1 (CStop)	HSE + HSI + PLL	-	HSI 64	400	-	-	2.25	10	71	120	200	mA	
							-	HSI 64	200	-	-	2.3	9.9	71	120	200		
							-	HSI 64	100	-	-	2.25	9.9	71	120	200		
							-	HSI 64	HSI 64	-	-	2.25	9.9	71	120	200		
							-	HSI 64	HSE 40	-	-	2.25	9.9	71	120	200		
I _{DDCPU}	Supply current in Run mode	All peripherals Disabled	DRun (CSleep)	Run1 (Cstop)	SRun1 (CStop)	HSE + HSI + PLL	1500 ⁽⁵⁾	600	-	-	-	19	29	93	140	230	mA	
							1200	600	-	-	-	13.5	23	84	130	220		
							750	600	-	-	-	9.15	18	79	130	210		
							600	600	-	-	-	7.75	17	77	130	210		
							300	300	-	-	-	5.05	14	74	120	210		
							150	150	-	-	-	3.65	12	72	120	210		
							HSI	HSI 64	HSI 64	-	-	-	2.85	11	71	120		200
HSE + HSI	HSE 40	HSE 40	-	-	-	2.6	11	71	120	200								
I _{DDCPU}	Supply current in Run mode	All peripherals Disabled	DRun ⁽¹¹⁾ (eCSleep)	Run1 (Cstop)	SRun1 (CStop)	HSE + HSI + PLL	1500 ⁽⁵⁾	600	-	-	-	3.35	12	76	130	210	mA	
							1200	600	-	-	-	2.85	11	72	120	200		
							750	600	-	-	-	2.85	11	72	120	200		



Symbol	Parameter	Conditions										Typ	Max					Unit
		-	D1 (CPU1) (¹) mode	D2 (CPU2) mode	D3 (CPU3) mode	Osc.	CPU1 clk (MHz)	AXI clk (MHz) (²)	CPU2 clk (MHz)	CPU3 clk (MHz)	GPU clk (MHz)		T _J = 25 °C	T _J = 25 °C	T _J = 85 °C	T _J = 105 °C	T _J = 125 °C	
I _{DDCPU}	Supply current in Run mode	All peripherals Disabled	DRun ⁽¹¹⁾ (eCSleep)	Run1 (Cstop)	SRun1 (CStop)	HSE + HSI + PLL	600	600	-	-	-	2.85	11	72	120	200	mA	
							300	300	-	-	-	2.85	11	72	120	200		
							150	150	-	-	-	2.85	11	72	120	200		
						HSI	HSI 64	HSI 64	-	-	-	2.8	11	72	120	200		
						HSE + HSI	HSE 40	HSE 40	-	-	-	2.65	11	71	120	200		
I _{DDCPU}	Supply current in Run mode	All peripherals Disabled	DStop1 (CStop)	Run1 (CSleep)	SRun1 (CStop)	HSE + HSI + PLL	-	HSI 64	400	-	-	2.3	9.9	71	120	200	mA	
							-	HSI 64	200	-	-	2.25	9.9	71	120	200		
							-	HSI 64	100	-	-	2.25	9.9	71	120	200		
						HSI	-	HSI 64	HSI 64	-	-	2.25	9.9	71	120	200		
						HSE + HSI	-	HSI 64	HSE 40	-	-	2.25	9.9	71	120	200		

1. P0 and P1 are state of cores inside CPU1 when in CRun state. 'P0&P1' indicate that both cores are executing a test software. 'P0' indicates that only P0 is executing a test software while the other core is clock gated (either in WFI or WFE or not present in the device).
2. ck_icn_dds.
3. Values for STM32MP257x.
4. Activity on peripherals and bus masters other than processors, could lead to additional power consumption above these values, largely dependent on the amount of initialized peripherals and their activity.
5. Typical value given with V_{DDCPU} = 0.91 V, maximum values given with V_{DDCPU} = 0.935 V.
6. Typical value given with V_{DDGPU} = 0.9 V, maximum values given with V_{DDGPU} = 0.961 V.
7. Values for STM32MP255x.
8. Values for STM32MP253x.
9. Values for STM32MP251x.
10. Not relevant for STM32MP251x.
11. eCSleep mean CPU1 in enhanced CSleep (RCC_C1SREQSETR.ESLPREQ = 1).



Table 24. Current consumption (I_{DDGPU}) in Run modes

Evaluated by characterization, not tested in production unless otherwise specified.

Except otherwise noted, typical values given with $V_{DDCORE} = 0.82$ V, $V_{DDCPU} = 0.8$ V and $V_{DDGPU} = 0.8$ V, maximum values given with $V_{DDCORE} = 0.842$ V, $V_{DDCPU} = 0.842$ V and $V_{DDGPU} = 0.839$ V.

Not relevant for STM32MP251x and STM32MP253x.

Value are without GPU activity.

Symbol	Parameter	Conditions										Typ	Max					Unit
		-	D1 (CPU1) ⁽¹⁾ mode	D2 (CPU2) mode	D3 (CPU3) mode	Osc.	CPU1 clk (MHz)	AXI clk (MHz) (2)	CPU2 clk (MHz)	CPU3 clk (MHz)	GPU clk (MHz)	$T_J = 25$ °C	$T_J = 25$ °C	$T_J = 85$ °C	$T_J = 105$ °C	$T_J = 125$ °C		
$I_{DDGPU}^{(3)}$	Supply current in Run mode	All peripherals Enabled ⁽⁴⁾	DRun (CRun: P0&P1)	Run1 (CRun)	SRun1 (CRun)	HSE + HSI + PLL	1500 ⁽⁵⁾	600	400	200	900 ⁽⁶⁾	14	35	160	240	390	mA	
							1200	600	400	200	800	11.5	31	150	220	370		
							750	600	400	200	800	11.5	31	150	220	370		
							600	600	400	200	800	11.5	31	150	220	370		
$I_{DDGPU}^{(7)}$	Supply current in Run mode	All peripherals Enabled ⁽⁴⁾	DRun (CRun: P0&P1)	Run1 (CRun)	SRun1 (CRun)	HSE + HSI + PLL	1500 ⁽⁵⁾	600	400	200	900 ⁽⁶⁾	14	35	160	240	390	mA	
							1200	600	400	200	800	11.5	31	150	220	370		
							750	600	400	200	800	11.5	31	150	220	370		
							600	600	400	200	800	11.5	31	150	220	370		
I_{DDGPU}	Supply current in Run mode	All peripherals Disabled	DRun (CRun: P0&P1)	Run1 (CRun)	SRun1 (CRun)	HSE + HSI + PLL	1500 ⁽⁵⁾	600	400	200	900 ⁽⁶⁾	6.65	27	150	230	380	mA	
							1200	600	400	200	800	6.05	24	140	210	360		
							750	600	400	200	800	6.05	24	140	210	360		
							600	600	400	200	800	6	24	140	210	360		

- $P0$ and $P1$ are state of cores inside CPU1 when in CRun state. 'P0&P1' indicate that both cores are executing a test software. 'P0' indicates that only P0 is executing a test software while the other core is clock gated (either in WFI or WFE or not present in the device).
- ck_icn_ddr.
- Values for STM32MP257x.
- Activity on peripherals and bus masters other than processors, could lead to additional power consumption above these values, largely dependent on the amount of initialized peripherals and their activity.
- Typical value given with $V_{DDCPU} = 0.91$ V, maximum values given with $V_{DDCPU} = 0.935$ V.
- Typical value given with $V_{DDGPU} = 0.9$ V, maximum values given with $V_{DDGPU} = 0.961$ V.
- Values for STM32MP255x.



Table 25. Current consumption (I_{DD}) in Run modes

Evaluated by characterization, not tested in production unless otherwise specified.

Except otherwise noted, typical values given with $V_{DDCORE} = 0.82$ V, $V_{DDCPU} = 0.8$ V and $V_{DDGPU} = 0.8$ V, maximum values given with $V_{DDCORE} = 0.842$ V, $V_{DDCPU} = 0.842$ V and $V_{DDGPU} = 0.839$ V.

Symbol	Parameter	Conditions										Typ		Max					Unit
		-	D1 (CPU1) ⁽¹⁾ mode	D2 (CPU2) mode	D3 (CPU3) mode	Osc.	CPU1 clk (MHz)	AXI clk (MHz) ⁽²⁾	CPU2 clk (MHz)	CPU3 clk (MHz)	GPU clk (MHz)	$T_J = 25$ °C	$T_J = 25$ °C	$T_J = 85$ °C	$T_J = 105$ °C	$T_J = 125$ °C			
I_{DD} (3V3) ⁽³⁾	Supply current in Run mode	All peripherals Disabled	DRun (CRun: P0&P1)	Run1 (CRun)	SRun1 (CRun)	HSE + HSI + PLL	1500 ⁽⁴⁾	600	400	200	900 ⁽⁵⁾	2.7	3.2	3.3	3.4	3.7	mA		
							1200	600	400	200	800	2.7	3.2	3.3	3.4	3.7			
							750	600	400	200	800	2.7	3.2	3.3	3.4	3.7			
							600	600	400	200	800	2.7	3.2	3.3	3.4	3.7			
I_{DD} (1V8) ⁽⁶⁾						HSE + HSI + PLL	1500 ⁽⁴⁾	600	400	200	900 ⁽⁵⁾	1.25	1.6	1.6	1.6	1.7		mA	
							1200	600	400	200	800	1.25	1.6	1.6	1.6	1.7			
							750	600	400	200	800	1.25	1.6	1.6	1.6	1.7			
							600	600	400	200	800	1.25	1.6	1.6	1.6	1.7			
I_{DD} (3V3) ⁽³⁾	Supply current in Run mode	All peripherals Disabled	DRun (CRun: P0&P1)	Run1 (CRun)	SRun1 (CRun)	HSE + HSI + PLL	1500 ⁽⁴⁾	600	400	200	-	2.7	3.2	3.3	3.4	3.7	mA		
							1200	600	400	200	-	2.7	3.2	3.3	3.4	3.7			
							750	600	400	200	-	2.7	3.2	3.3	3.4	3.7			
							600	600	400	200	-	2.7	3.2	3.3	3.4	3.7			
I_{DD} (1V8) ⁽⁶⁾						HSE + HSI + PLL	1500 ⁽⁴⁾	600	400	200	-	1.25	1.6	1.6	1.6	1.7		mA	
							1200	600	400	200	-	1.25	1.6	1.6	1.6	1.7			
							750	600	400	200	-	1.25	1.6	1.6	1.6	1.7			
							600	600	400	200	-	1.25	1.6	1.6	1.6	1.7			
I_{DD} (3V3) ⁽³⁾	Supply current in Run mode	All peripherals Disabled	DRun (CRun: P0)	Run1 (CStop)	SRun1 (CStop)	HSI	HSI 64	HSI 64	-	-	-	2.65	3.2	3.3	3.4	3.6	mA		
						HSE + HSI	HSE 40	HSE 40	-	-	-	2.65	3.2	3.3	3.4	3.6			
I_{DD} (1V8) ⁽⁶⁾						HSE + HSI	HSI	HSI 64	HSI 64	-	-	-	1.25	1.5	1.6	1.6		1.7	mA
							HSE + HSI	HSE 40	HSE 40	-	-	-	1.25	1.5	1.6	1.6		1.7	
I_{DD} (3V3) ⁽³⁾	Supply current in Run mode	All peripherals Disabled	DStandby ⁽⁷⁾ ⁽⁸⁾ (CStandby)	Run2 (CRun)	SRun1 (CRun)	HSI	-	HSI 64	HSI 64	HSI 64	-	2.65	3.3	3.3	3.4	3.6	mA		
I_{DD} (1V8) ⁽⁶⁾						HSI	-	HSI 64	HSI 64	HSI 64	-	1.25	1.6	1.6	1.6	1.7			





1. *P0 and P1 are state of cores inside CPU1 when in CRun state. 'P0&P1' indicate that both cores are executing a test software. 'P0' indicates that only P0 is executing a test software while the other core is clock gated (either in WFI or WFE or not present in the device).*
2. *ck_icn_ddr.*
3. *Typical value given with $V_{DD} = 3.3$ V, maximum value given with $V_{DD} = 3.6$ V.*
4. *Typical value given with $V_{DDCPU} = 0.91$ V, maximum values given with $V_{DDCPU} = 0.935$ V.*
5. *Typical value given with $V_{DDGPU} = 0.9$ V, maximum values given with $V_{DDGPU} = 0.961$ V.*
6. *Typical value given with $V_{DD} = 1.8$ V, maximum value given with $V_{DD} = 1.89$ V.*
7. *CStandby = CStop and PDDS_D1 = 1.*
8. *V_{DDCPU} is shutdown.*

Table 26. Current consumption (I_{DDA18}) in Run modes

Evaluated by characterization, not tested in production unless otherwise specified.

Except otherwise noted, typical values given with $V_{DDCORE} = 0.82$ V, $V_{DDCPU} = 0.8$ V and $V_{DDGPU} = 0.8$ V, maximum values given with $V_{DDCORE} = 0.842$ V, $V_{DDCPU} = 0.842$ V and $V_{DDGPU} = 0.839$ V.

Symbol	Parameter	Conditions										Typ	Max					Unit
		-	D1 (CPU1) ⁽¹⁾ mode	D2 (CPU2) mode	D3 (CPU3) mode	Osc.	CPU1 clk (MHz)	AXI clk (MHz) ⁽²⁾	CPU2 clk (MHz)	CPU3 clk (MHz)	GPU clk (MHz)	$T_J = 25$ °C	$T_J = 25$ °C	$T_J = 85$ °C	$T_J = 105$ °C	$T_J = 125$ °C		
I_{DDA18}	Supply current in Run mode ($V_{DD} = 1.8$ V)	All peripherals Disabled	DRun (CRun: P0&P1)	Run1 (CRun)	SRun1 (CRun)	HSE + HSI + PLL	1500 ⁽³⁾	600	400	200	900 ⁽⁴⁾	4.35	5	5.1	5.2	6	mA	
							1200	600	400	200	800	3.85	4.5	4.6	4.7	4.9		
							750	600	400	200	800	3.25	3.9	4	4.1	4.2		
							600	600	400	200	800	3.1	3.7	3.8	3.9	4		
I_{DDA18}	Supply current in Run mode ($V_{DD} = 3.3$ V)	All peripherals Disabled	DRun (CRun: P0&P1)	Run1 (CRun)	SRun1 (CRun)	HSE + HSI + PLL	1500 ⁽³⁾	600	400	200	900 ⁽⁴⁾	4.35	5	5.1	5.2	5.4	mA	
							1200	600	400	200	800	3.85	4.5	4.6	4.7	4.9		
							750	600	400	200	800	3.25	3.9	4	4.1	4.2		
							600	600	400	200	800	3.1	3.7	3.8	3.9	4		
I_{DDA18}	Supply current in Run mode	All peripherals Disabled	DRun (CRun: P0&P1)	Run1 (CRun)	SRun1 (CRun)	HSE + HSI + PLL	1500 ⁽³⁾	600	400	200	-	4.35	5.2	5.5	5.7	6.1	mA	
							1200	600	400	200	-	3.9	4.7	5.1	5.2	5.6		
							750	600	400	200	-	3.3	4.1	4.4	4.5	4.9		
							600	600	400	200	-	3.15	3.9	4.3	4.3	4.7		
I_{DDA18}	Supply current in Run mode	All peripherals Disabled	DRun (CRun: P0)	Run1 (CStop)	SRun1 (CStop)	HSI	HSI 64	HSI 64	-	-	-	1.25	2	2.3	2.4	2.8	mA	
						HSE + HSI	HSE 40	HSE 40	-	-	-	1.25	1.9	2.3	2.4	2.8		
I_{DDA18}	Supply current in Run mode	All peripherals Disabled	DStandby ⁽⁵⁾ ⁽⁶⁾ (CStandby)	Run2 (CRun)	SRun1 (CRun)	HSI	-	HSI 64	HSI 64	HSI 64	-	1.2	1.8	2	2.2	2.9	mA	

1. P0 and P1 are state of cores inside CPU1 when in CRun state. 'P0&P1' indicate that both cores are executing a test software. 'P0' indicates that only P0 is executing a test software while the other core is clock gated (either in WFI or WFE or not present in the device).

2. ck_icn_ddr .

3. Typical value given with $V_{DDCPU} = 0.91$ V, maximum values given with $V_{DDCPU} = 0.935$ V.

4. Typical value given with $V_{DDGPU} = 0.9$ V, maximum values given with $V_{DDGPU} = 0.961$ V.

5. CStandby = CStop and PDDS_D1 = 1.

6. V_{DDCPU} is shutdown.



Table 27. Current consumption ($I_{DDA18AON}$) in Run modes

Evaluated by characterization, not tested in production unless otherwise specified.

Except otherwise noted, typical values given with $V_{DDCORE} = 0.82$ V, $V_{DDCPU} = 0.8$ V and $V_{DDGPU} = 0.8$ V, maximum values given with $V_{DDCORE} = 0.842$ V, $V_{DDCPU} = 0.842$ V and $V_{DDGPU} = 0.839$ V.

Symbol	Parameter	Conditions										Typ		Max			Unit
		-	D1 (CPU1) ⁽¹⁾ mode	D2 (CPU2) mode	D3 (CPU3) mode	Osc.	CPU1 clk (MHz)	AXI clk (MHz) ⁽²⁾	CPU2 clk (MHz)	CPU3 clk (MHz)	GPU clk (MHz)	$T_J = 25$ °C	$T_J = 25$ °C	$T_J = 85$ °C	$T_J = 105$ °C	$T_J = 125$ °C	
$I_{DDA18AON}$	Supply current in Run mode ($V_{DD} = 1.8$ V)	All peripherals Disabled	DRun (CRun: P0&P1)	Run1 (CRun)	SRun1 (CRun)	HSE + HSI + PLL	1500 ⁽³⁾	600	400	200	900 ⁽⁴⁾	4.4	5.9	5.4	5.3	5.9	mA
							1200	600	400	200	800	4.4	5.9	5.4	5.3	5.1	
							750	600	400	200	800	4.4	5.9	5.4	5.3	5.1	
							600	600	400	200	800	4.4	5.9	5.4	5.3	5.1	
$I_{DDA18AON}$	Supply current in Run mode ($V_{DD} = 3.3$ V)	All peripherals Disabled	DRun (CRun: P0&P1)	Run1 (CRun)	SRun1 (CRun)	HSE + HSI + PLL	1500 ⁽³⁾	600	400	200	900 ⁽⁴⁾	4.35	5.8	5.4	5.3	5.1	mA
							1200	600	400	200	800	4.35	5.8	5.4	5.3	5.1	
							750	600	400	200	800	4.35	5.8	5.4	5.3	5.1	
							600	600	400	200	800	4.35	5.8	5.4	5.3	5.1	
$I_{DDA18AON}$	Supply current in Run mode ($V_{DD} = 1.8$ V)	All peripherals Disabled	DRun (CRun: P0&P1)	Run1 (CRun)	SRun1 (CRun)	HSE + HSI + PLL	1500 ⁽³⁾	600	400	200	-	4.4	5.9	5.4	5.3	5.1	mA
							1200	600	400	200	-	4.4	5.9	5.4	5.3	5.1	
							750	600	400	200	-	4.4	5.9	5.4	5.3	5.1	
							600	600	400	200	-	4.4	5.9	5.4	5.3	5.1	
$I_{DDA18AON}$	Supply current in Run mode ($V_{DD} = 3.3$ V)	All peripherals Disabled	DRun (CRun: P0&P1)	Run1 (CRun)	SRun1 (CRun)	HSE + HSI + PLL	1500 ⁽³⁾	600	400	200	-	4.35	5.8	5.4	5.3	5.1	mA
							1200	600	400	200	-	4.35	5.8	5.4	5.3	5.1	
							750	600	400	200	-	4.35	5.8	5.4	5.3	5.1	
							600	600	400	200	-	4.35	5.8	5.4	5.3	5.1	
$I_{DDA18AON}$	Supply current in Run mode ($V_{DD} = 1.8$ V)	All peripherals Disabled	DRun (CRun: P0)	Run1 (CStop)	SRun1 (CStop)	HSI	HSI 64	HSI 64	-	-	-	480	570	590	610	640	μ A
						HSE + HSI	HSE 40	HSE 40	-	-	-	4.4	5.9	5.4	5.3	5.1	mA
$I_{DDA18AON}$	Supply current in Run mode ($V_{DD} = 3.3$ V)	All peripherals Disabled	DRun (CRun: P0)	Run1 (CStop)	SRun1 (CStop)	HSI	HSI 64	HSI 64	-	-	-	445	530	550	560	600	μ A
						HSE + HSI	HSE 40	HSE 40	-	-	-	4.35	5.8	5.4	5.3	5.1	mA
$I_{DDA18AON}$	Supply current in Run mode ($V_{DD} = 1.8$ V)	All peripherals Disabled	DStandby ⁽⁵⁾ ⁽⁶⁾ (CStandby)	Run2 (CRun)	SRun1 (CRun)	HSI	-	HSI 64	HSI 64	HSI 64	-	490	580	590	610	640	μ A



Symbol	Parameter	Conditions										Typ	Max					Unit
		-	D1 (CPU1) ⁽¹⁾ mode	D2 (CPU2) mode	D3 (CPU3) mode	Osc.	CPU1 clk (MHz)	AXI clk (MHz) ⁽²⁾	CPU2 clk (MHz)	CPU3 clk (MHz)	GPU clk (MHz)	T _J = 25 °C	T _J = 25 °C	T _J = 85 °C	T _J = 105 °C	T _J = 125 °C		
I _{DDA18AON}	Supply current in Run mode (V _{DD} = 3.3 V)	All peripherals Disabled	DStandby (CStandby) ⁽⁵⁾ ⁽⁶⁾	Run2 (CRun)	SRun1 (CRun)	HSI	-	HSI 64	HSI 64	HSI 64	-	455	530	550	560	600	μA	

1. P0 and P1 are state of cores inside CPU1 when in CRun state. 'P0&P1' indicate that both cores are executing a test software. 'P0' indicates that only P0 is executing a test software while the other core is clock gated (either in WFI or WFE or not present in the device).
2. ck_icn_dds.
3. Typical value given with V_{DDCPU} = 0.91 V, maximum values given with V_{DDCPU} = 0.935 V.
4. Typical value given with V_{DDGPU} = 0.9 V, maximum values given with V_{DDGPU} = 0.961 V.
5. CStandby = CStop and PDDS_D1 = 1.
6. V_{DDCPU} is shutdown.

Table 28. Current consumption (I_{BAT}) in Run modes

Evaluated by characterization, not tested in production unless otherwise specified.

V_{SW} supplied by V_{DD}.

Symbol	Parameter	Conditions	Typ	Max					Unit
		V _{BAT} voltage	T _J = 25 °C	T _J = 25 °C	T _J = 85 °C	T _J = 105 °C	T _J = 125 °C		
I _{BAT}	Supply current in Run mode (V _{DD} = 1.8 V)	V _{BAT} = 3.0 V	5	5.2	6.1	7.1	9.4	μA	
		V _{BAT} = 3.3 V	5.75	5.9	6.9	8	11		
I _{BAT}	Supply current in Run mode (V _{DD} = 3.3 V)	V _{BAT} = 3.0 V	5	5.1	4.3	3.4	1.3	μA	
		V _{BAT} = 3.3 V	5.7	5.8	6	6	6.1		

Table 29. Current consumption in Stop modes

Evaluated by characterization, not tested in production unless otherwise specified.

Except otherwise noted, typical values given with $V_{DDCORE} = 0.82$ V, $V_{DDCPU} = 0.8$ V and $V_{DDGPU} = 0.8$ V, maximum values given with $V_{DDCORE} = 0.842$ V, $V_{DDCPU} = 0.842$ V and $V_{DDGPU} = 0.839$ V

Symbol	Parameter	Conditions				V_{DD} voltage	Typ				Max				Unit
		D1 (CPU1) mode	D2 (CPU2) mode	D3 (CPU3) mode	CPU3 clk (MHz)		$T_J = 25\text{ }^\circ\text{C}$	$T_J = 85\text{ }^\circ\text{C}$	$T_J = 105\text{ }^\circ\text{C}$	$T_J = 125\text{ }^\circ\text{C}$	$T_J = 25\text{ }^\circ\text{C}$	$T_J = 85\text{ }^\circ\text{C}$	$T_J = 105\text{ }^\circ\text{C}$	$T_J = 125\text{ }^\circ\text{C}$	
I_{DDCORE}	Supply current in Stop1 mode	DStop1 (CStop)	Stop1 (CStop)	SSTop1 (CStop)	-	-	16.5	105	180	295	58	290	430	710	mA
I_{DDCPU}							2.25	25.5	47	82.5	9.9	71	120	200	mA
$I_{DDGPU}^{(1)}$							4.95	40	69.5	115	21	120	170	290	mA
I_{DD}						$V_{DD} = 3.3$ V ⁽²⁾	2.6	2.65	2.7	2.8	3.2	3.3	3.4	3.6	mA
						$V_{DD} = 1.8$ V ⁽³⁾	1.2	1.2	1.25	1.3	1.5	1.5	1.6	1.7	mA
I_{DDA18}						-	1.2	1.3	1.35	1.4	1.8	1.9	2	2.2	mA
$I_{DDA18AON}$						$V_{DD} = 3.3$ V ⁽²⁾	250	270	275	285	320	330	340	390	μ A
	$V_{DD} = 1.8$ V ⁽³⁾	280	300	305	315	370	370	380	430	μ A					
I_{DDCORE}	Supply current in Stop2 mode	DStandby ^{(4) (5)} (CStandby)	Stop2 (CStop)	SRun2 (CRun)	HSI 64	-	24	110	185	305	67	290	440	710	mA
I_{DDCPU}							-				-	-	-	-	-
$I_{DDGPU}^{(1)}$							-				-	-	-	-	-
I_{DD}						$V_{DD} = 3.3$ V ⁽²⁾	2.65	2.7	2.7	2.8	3.2	3.3	3.4	3.5	mA
						$V_{DD} = 1.8$ V ⁽³⁾	1.25	1.25	1.25	1.3	1.5	1.5	1.6	1.6	mA
I_{DDA18}						-	1.2	1.35	1.4	1.5	1.8	2	2.2	3	mA
$I_{DDA18AON}$						$V_{DD} = 3.3$ V ⁽²⁾	250	265	275	285	320	320	340	380	μ A
	$V_{DD} = 1.8$ V ⁽³⁾	280	295	305	315	370	370	380	430	μ A					
I_{DDCORE}					MSI 4	-	24	110	185	305	67	290	440	710	mA
I_{DDCPU}							-				-	-	-	-	-



Symbol	Parameter	Conditions				Typ				Max				Unit							
		D1 (CPU1) mode	D2 (CPU2) mode	D3 (CPU3) mode	CPU3 clk (MHz)	V _{DD} voltage	T _J = 25 °C	T _J = 85 °C	T _J = 105 °C	T _J = 125 °C	T _J = 25 °C	T _J = 85 °C	T _J = 105 °C		T _J = 125 °C						
I _{DDGPU} ⁽¹⁾	Supply current in Stop2 mode	DStandby ^{(4) (5)} (CStandby)	Stop2 (CStop)	SRun2 (CRun)	MSI 4	-	-(6)							-							
I _{DD}						V _{DD} = 3.3 V ⁽²⁾	2.65	2.7	2.7	2.8	3.2	3.3	3.4	3.5	mA						
I _{DDA18}						V _{DD} = 1.8 V ⁽³⁾	1.25	1.25	1.25	1.3	1.5	1.5	1.6	1.6	mA						
I _{DDA18AON}						-	1.2	1.35	1.4	1.5	1.8	2	2.2	3	mA						
						V _{DD} = 3.3 V ⁽²⁾	250	265	275	285	320	320	340	380	μA						
						V _{DD} = 1.8 V ⁽³⁾	280	295	305	315	370	370	380	430	μA						
I _{DDCORE}	Supply current in Stop2 mode	DStandby (CStandby) ⁽⁴⁾⁽⁵⁾	Stop2 (CStop)	SRun2 (CSleep)	HSI 64	-	23	110	185	300	66	290	440	710	mA						
I _{DDCPU}						-(6)							-								
I _{DDGPU} ⁽¹⁾						-(6)							-								
I _{DD}						V _{DD} = 3.3 V ⁽²⁾	2.65	2.7	2.7	2.8	3.2	3.3	3.4	3.5	mA						
						V _{DD} = 1.8 V ⁽³⁾	1.25	1.25	1.25	1.3	1.5	1.5	1.6	1.6	mA						
						-	1.2	1.35	1.4	1.5	1.8	2	2.2	3	mA						
I _{DDA18AON}						V _{DD} = 3.3 V ⁽²⁾	250	265	275	285	320	320	340	380	μA						
					V _{DD} = 1.8 V ⁽³⁾	280	295	305	315	370	370	380	430	μA							
I _{DDCORE}					MSI 4	-							23	110	185	300	66	290	440	710	mA
I _{DDCPU}						-(6)							-								
I _{DDGPU} ⁽¹⁾						-(6)							-								
I _{DD}						V _{DD} = 3.3 V ⁽²⁾	2.65	2.7	2.7	2.8	3.2	3.3	3.4	3.5	mA						
						V _{DD} = 1.8 V ⁽³⁾	1.25	1.25	1.25	1.3	1.5	1.5	1.6	1.6	mA						
						-	1.2	1.35	1.4	1.5	1.8	2	2.2	3	mA						
I _{DDA18}	-							1.2	1.35	1.4	1.5	1.8	2	2.2	3	mA					



Symbol	Parameter	Conditions				Typ				Max				Unit						
		D1 (CPU1) mode	D2 (CPU2) mode	D3 (CPU3) mode	CPU3 clk (MHz)	V _{DD} voltage	T _J = 25 °C	T _J = 85 °C	T _J = 105 °C	T _J = 125 °C	T _J = 25 °C	T _J = 85 °C	T _J = 105 °C		T _J = 125 °C					
I _{DDA18AON}	Supply current in Stop2 mode	DStandby (CStandby) ⁽⁴⁾⁽⁵⁾	Stop2 (CStop)	SRun2 (CSleep)	MSI 4	V _{DD} = 3.3 V ⁽²⁾	250	265	275	285	320	320	340	380	μA					
						V _{DD} = 1.8 V ⁽³⁾	280	295	305	315	370	370	380	430	μA					
I _{DDCORE}	Supply current in Stop2 mode	DStandby (CStandby) ⁽⁴⁾⁽⁵⁾	Stop2 (CStop)	SSTop1 (CStop)	-	-	16.5	105	175	295	58	290	430	700	mA					
I _{DDCPU}							- ⁽⁶⁾							-						
I _{DDGPU} ⁽¹⁾							- ⁽⁶⁾							-						
I _{DD}						Supply current in Stop2 mode	DStandby (CStandby) ⁽⁴⁾⁽⁵⁾	Stop2 (CStop)	SSTop1 (CStop)	-	V _{DD} = 3.3 V ⁽²⁾	2.65	2.7	2.7	2.8	3.2	3.3	3.4	3.5	mA
											V _{DD} = 1.8 V ⁽³⁾	1.25	1.25	1.25	1.3	1.5	1.5	1.6	1.6	mA
I _{DDA18}											-	1.2	1.35	1.4	1.5	1.8	2	2.2	3	mA
I _{DDA18AON}	Supply current in Stop2 mode	DStandby (CStandby) ⁽⁴⁾⁽⁵⁾	Stop2 (CStop)	SSTop1 (CStop)	-	V _{DD} = 3.3 V ⁽²⁾	250	265	275	285	320	320	340	380	μA					
						V _{DD} = 1.8 V ⁽³⁾	280	295	305	315	370	370	380	430	μA					

1. Not relevant for STM32MP251x.
2. typical values given for V_{DD} = 3.3 V, maximum values for V_{DD} = 3.6 V.
3. typical values given for V_{DD} = 1.8 V, maximum values for V_{DD} = 1.89 V.
4. CStandby = CStop and PDDS_D1 = 1.
5. V_{DDCPU} is shutdown.
6. Supply is OFF.



Table 30. Current consumption in LPLV-Stop modes

Evaluated by characterization, not tested in production unless otherwise specified.

Except otherwise noted, typical values given with $V_{DDCORE} = 0.82$ V, $V_{DDCPU} = 0.8$ V and $V_{DDGPU} = 0.8$ V, maximum values given with $V_{DDCORE} = 0.842$ V, $V_{DDCPU} = 0.842$ V and $V_{DDGPU} = 0.839$ V.

Symbol	Parameter	Conditions					Typ				Max				Unit						
		D1 (CPU1) mode	D2 (CPU2) mode	D3 (CPU3) ⁽¹⁾ mode	CPU3 clk (MHz)	V _{DD} voltage	T _J = 25 °C	T _J = 85 °C	T _J = 105 °C	T _J = 125 °C	T _J = 25 °C	T _J = 85 °C	T _J = 105 °C	T _J = 125 °C							
I _{DDCORE}	Supply current in LPLV-Stop1 mode	DStop3 ⁽²⁾ (CStop)	LPLV-Stop1 ⁽²⁾ (CStop)	SStop2 (CStop)	-	-	16	110	190	315	120	320	490	820	mA						
I _{DDCPU}							2.25	25.5	47	82.5	9.9	71	120	200	mA						
I _{DDGPU} ⁽³⁾							-(4)														
I _{DD}							V _{DD} = 3.3 V ⁽⁵⁾	2.95	5.5	7.85	12	4.6	11	15	35	mA					
							V _{DD} = 1.8 V ⁽⁶⁾	1.6	4.1	6.45	10.5	3	8.7	14	34	mA					
I _{DDA18}							-(4)														
I _{DDA18AON}							V _{DD} = 3.3 V ⁽⁵⁾	250	270	275	285	580	330	340	650	μA					
							V _{DD} = 1.8 V ⁽⁶⁾	280	300	305	320	630	370	390	680	μA					
I _{DDCORE}							Supply current in LPLV-Stop2 mode	DStandby (CStandby)	LPLV-Stop2 ⁽²⁾ (CStop)	SRun3 (CRun)	MSI 4	-	16	110	190	315	63	320	490	810	mA
I _{DDCPU}													-(4)								
I _{DDGPU} ⁽³⁾	-(4)																				
I _{DD}	V _{DD} = 3.3 V ⁽⁵⁾	2.95	5.5	7.9	12	4.1							11	15	24	mA					
	V _{DD} = 1.8 V ⁽⁶⁾	1.6	4.15	6.45	10.5	2.6							8.8	14	22	mA					
I _{DDA18}	-(4)																				
I _{DDA18AON}	V _{DD} = 3.3 V ⁽⁵⁾	250	270	275	285	320							330	340	390	μA					
	V _{DD} = 1.8 V ⁽⁶⁾	280	300	305	320	370							370	390	460	μA					
I _{DDCORE}	LSE 0.032768	-	-	-	-	-							16	110	190	315	110	320	490	810	mA
I _{DDCPU}													-(4)								



Symbol	Parameter	Conditions				Typ				Max				Unit	
		D1 (CPU1) mode	D2 (CPU2) mode	D3 (CPU3) ⁽¹⁾ mode	CPU3 clk (MHz)	V _{DD} voltage	T _J = 25 °C	T _J = 85 °C	T _J = 105 °C	T _J = 125 °C	T _J = 25 °C	T _J = 85 °C	T _J = 105 °C		T _J = 125 °C
I _{DDGPU} ⁽³⁾	Supply current in LPLV-Stop2 mode	DStandby (CStandby)	LPLV-Stop2 ⁽²⁾ (CStop)	SRun3 (CRun)	LSE 0.032768	-	-(4)							-	
I _{DD}						V _{DD} = 3.3 V ⁽⁵⁾	2.9	5.45	7.8	12	4.5	11	15	35	mA
I _{DDA18}						V _{DD} = 1.8 V ⁽⁶⁾	1.55	4.05	6.4	10.5	3	8.7	14	34	mA
I _{DDA18AON}						-	-(4)							-	
						V _{DD} = 3.3 V ⁽⁵⁾	250	270	275	285	580	330	340	360	μA
I _{DDA18AON}	V _{DD} = 1.8 V ⁽⁶⁾	280	300	305	320	520	370	390	440	μA					
	I _{DDCORE}	16	110	190	320	63	320	490	810	mA					
I _{DDCPU}	-	-(4)							-						
I _{DDGPU} ⁽³⁾	-	-(4)							-						
I _{DD}	Supply current in LPLV-Stop2 mode	DStandby (CStandby) ⁽⁷⁾	LPLV-Stop2 ⁽²⁾ (CStop)	SRun3 (CSleep)	MSI 4	V _{DD} = 3.3 V ⁽⁵⁾	2.95	5.55	7.9	12	4.1	11	15	24	mA
						V _{DD} = 1.8 V ⁽⁶⁾	1.6	4.15	6.5	10.5	2.6	8.8	14	22	mA
I _{DDA18}	-	-(4)							-						
I _{DDA18AON}	V _{DD} = 3.3 V ⁽⁵⁾	250	270	275	285	320	330	340	390	μA					
	V _{DD} = 1.8 V ⁽⁶⁾	280	300	305	320	370	370	390	460	μA					
I _{DDCORE}	16	110	190	320	110	320	490	820	mA						
I _{DDCPU}	-	-(4)							-						
I _{DDGPU} ⁽³⁾	-	-(4)							-						
I _{DD}	Supply current in LPLV-Stop2 mode	DStandby (CStandby) ⁽⁷⁾	LPLV-Stop2 ⁽²⁾ (CStop)	SRun3 (CSleep)	LSE 0.032768	V _{DD} = 3.3 V ⁽⁵⁾	2.9	5.45	7.8	12	4.5	11	15	36	mA
						V _{DD} = 1.8 V ⁽⁶⁾	1.55	4.05	6.4	10.5	3	8.7	14	34	mA
I _{DDA18}	-	-(4)							-						



Symbol	Parameter	Conditions					Typ				Max				Unit
		D1 (CPU1) mode	D2 (CPU2) mode	D3 (CPU3) ⁽¹⁾ mode	CPU3 clk (MHz)	V _{DD} voltage	T _J = 25 °C	T _J = 85 °C	T _J = 105 °C	T _J = 125 °C	T _J = 25 °C	T _J = 85 °C	T _J = 105 °C	T _J = 125 °C	
I _D DA18AON	Supply current in LPLV-Stop2 mode	DStandby (CStandby) ⁽⁷⁾	LPLV-Stop2 ⁽²⁾ (CStop)	SRun3 (CSleep)	LSE 0.032768	V _{DD} = 3.3 V ⁽⁵⁾	250	270	275	285	580	330	340	360	μA
						V _{DD} = 1.8 V ⁽⁶⁾	280	300	305	320	340	370	390	440	μA
I _{DD} CORE	Supply current in LPLV-Stop2 mode	DStandby (CStandby) ⁽⁷⁾	LPLV-Stop2 (CStop) ⁽²⁾	SStop2 (CStop)	-	-	16	110	190	315	110	320	490	810	mA
I _{DD} CPU							-				-				
I _{DD} GPU ⁽³⁾							-				-				
I _{DD}							-				-				
I _{DD}	Supply current in LPLV-Stop2 mode	DStandby (CStandby) ⁽⁷⁾	LPLV-Stop2 (CStop) ⁽²⁾	SStop2 (CStop)	-	V _{DD} = 3.3 V ⁽⁵⁾	2.9	5.45	7.8	12	4.5	11	15	35	mA
						V _{DD} = 1.8 V ⁽⁶⁾	1.55	4.05	6.4	10.5	3	8.7	14	34	mA
I _{DD} A18	Supply current in LPLV-Stop2 mode	DStandby (CStandby) ⁽⁷⁾	LPLV-Stop2 (CStop) ⁽²⁾	SStop2 (CStop)	-	-	-				-				
I _{DD} A18AON							-				-				
I _{DD} A18AON	Supply current in LPLV-Stop2 mode	DStandby (CStandby) ⁽⁷⁾	LPLV-Stop2 (CStop) ⁽²⁾	SStop2 (CStop)	-	V _{DD} = 3.3 V ⁽⁵⁾	250	270	275	285	580	330	340	360	μA
						V _{DD} = 1.8 V ⁽⁶⁾	280	300	305	320	520	370	390	440	μA

1. Domain clocked by MSI 4 MHz.
2. Typical value given with V_{DDCORE} = 0.67 V, maximum values given with V_{DDCORE} = 0.71 V.
3. Not relevant for STM32MP251x.
4. Supply is OFF.
5. Typical values given for V_{DD} = 3.3 V, maximum values for V_{DD} = 3.6 V.
6. Typical values given for V_{DD} = 1.8 V, maximum values for V_{DD} = 1.89 V.
7. CStandby = CStop and PDDS_D1 = 1.



Table 31. Current consumption in Standby1 mode

Evaluated by characterization, not tested in production unless otherwise specified.

V_{DDCORE}, V_{DDCPU} and V_{DDGPU} are shutdown.

Symbol	Parameter	Conditions			Typ				Max				Unit	
		D3 (CPU3) mode	CPU3 clk (MHz)	V _{DD} voltage	T _J = 25 °C	T _J = 85 °C	T _J = 105 °C	T _J = 125 °C	T _J = 25 °C	T _J = 85 °C	T _J = 105 °C	T _J = 125 °C		
I _{DD}	Supply current in Standby1 mode	SRun3 (CRun)	MSI 4	V _{DD} = 3.3 V ⁽¹⁾	2.35	3.6	4.8	6.75	3.2	6.4	8.7	15	mA	
				V _{DD} = 1.8 V ⁽²⁾	960	2300	3400	5300	1800	4900	7100	13000	μA	
I _{DDA18}				-	-(3)									-
I _{DDA18AON}				V _{DD} = 3.3 V ⁽¹⁾	31	41	55.5	60	79	93	130	140	μA	
				V _{DD} = 1.8 V ⁽²⁾	60	80	80	88.5	110	150	160	180	μA	
I _{DD}				Supply current in Standby1 mode	SRun3 (CRun)	LSE 0.032768	V _{DD} = 3.3 V ⁽¹⁾	2.15	3.55	4.7	6.65	3.4	6.4	8.6
	V _{DD} = 1.8 V ⁽²⁾	960	2150				3300	5200	1900	4800	6900	13000	μA	
I _{DDA18}	-	-(3)									-			
I _{DDA18AON}	V _{DD} = 3.3 V ⁽¹⁾	29.5	41				55	60	78	94	130	140	μA	
	V _{DD} = 1.8 V ⁽²⁾	60	80				80	88	110	150	160	180	μA	
I _{DD}	Supply current in Standby1 mode	SRun3 (CSleep)	MSI 4				V _{DD} = 3.3 V ⁽¹⁾	2.25	3.4	4.45	6.2	3.3	6	8
				V _{DD} = 1.8 V ⁽²⁾	960	2050	3050	4750	1900	4400	6400	14000	μA	
I _{DDA18}				-	-(3)									-
I _{DDA18AON}				V _{DD} = 3.3 V ⁽¹⁾	31	41	55.5	60	79	91	130	140	μA	
				V _{DD} = 1.8 V ⁽²⁾	60	80	80	87.5	110	150	160	180	μA	
I _{DD}				Supply current in Standby1 mode	SRun3 (CSleep)	LSE 0.032768	V _{DD} = 3.3 V ⁽¹⁾	2.1	3.35	4.4	6.15	3.4	6	7.9
	V _{DD} = 1.8 V ⁽²⁾	960	2000				3000	4700	1900	4300	6300	14000	μA	
I _{DDA18}	-	-(3)									-			
I _{DDA18AON}	V _{DD} = 3.3 V ⁽¹⁾	31	41.5				55	60	79	91	130	140	μA	
	V _{DD} = 1.8 V ⁽²⁾	60	80				80	87.5	110	150	160	180	μA	
I _{DD}	Supply current in Standby1 mode	SStop2 (CStop)	-				V _{DD} = 3.3 V ⁽¹⁾	2.1	3.35	4.4	6.15	3.4	5.9	7.9
				V _{DD} = 1.8 V ⁽²⁾	960	2000	3000	4700	1900	4300	6400	14000	μA	
I _{DDA18}				-	-(3)									-
I _{DDA18AON}				V _{DD} = 3.3 V ⁽¹⁾	31	41	55	60	79	93	130	140	μA	



Symbol	Parameter	Conditions			Typ				Max				Unit
		D3 (CPU3) mode	CPU3 clk (MHz)	V _{DD} voltage	T _J = 25 °C	T _J = 85 °C	T _J = 105 °C	T _J = 125 °C	T _J = 25 °C	T _J = 85 °C	T _J = 105 °C	T _J = 125 °C	
I _{DDA18AON}	Supply current in Standby1 mode	SStop2 (CStop)	-	V _{DD} = 1.8 V ⁽²⁾	60	80	80	88	110	150	160	180	μA

1. typical values given for V_{DD} = 3.3 V, maximum values for V_{DD} = 3.6 V.
2. typical values given for V_{DD} = 1.8 V, maximum values for V_{DD} = 1.89 V.
3. Supply is OFF.

Table 32. Current consumption in Standby2 mode

Evaluated by characterization, not tested in production unless otherwise specified.

V_{DDCORE} , V_{DDCPU} and V_{DDGPU} are shutdown.

D3 (CPU3) in CStop (SStandby).

Symbol	Parameter	Conditions				V_{DD} voltage	Typ				Max				Unit
		RTC/LSE	BKPSRAM	RETRAM	LPSRAM1		$T_J = 25\text{ }^\circ\text{C}$	$T_J = 85\text{ }^\circ\text{C}$	$T_J = 105\text{ }^\circ\text{C}$	$T_J = 125\text{ }^\circ\text{C}$	$T_J = 25\text{ }^\circ\text{C}$	$T_J = 85\text{ }^\circ\text{C}$	$T_J = 105\text{ }^\circ\text{C}$	$T_J = 125\text{ }^\circ\text{C}$	
I_{DD}	Supply current in Standby2 mode	OFF	OFF	OFF	OFF	$V_{DD} = 3.3\text{ V}^{(1)}$	2.45	4	5.55	8.25	3.2	7.4	11	17	mA
		RTC ON, LSE ON ⁽²⁾					OFF	ON	2.05	2.2	2.45	2.8	3.4	3.4	3.7
			ON	OFF	2.05		2.3	2.5	2.9	3.3	3.3	3.8	18	mA	
			OFF	ON	2.05		2.5	3.1	4.1	3.2	3.9	4.8	17	mA	
			ON	OFF	2.05		2.3	2.5	2.9	3.3	3.3	3.8	18	mA	
		ON	ON	2.05	2.55		3.25	4.35	3.2	4.2	5.1	17	mA		
	Supply current in Standby2 mode	OFF	OFF	OFF	OFF	$V_{DD} = 1.8\text{ V}^{(3)}$	960	2600	4100	6750	1800	5700	8500	15000	μA
		RTC ON, LSE ON ⁽²⁾					OFF	ON	560	955	1050	1400	1700	1900	1900
			ON	OFF	560		960	1150	1500	1700	1800	2300	16000	μA	
			OFF	ON	575		1300	1750	2700	1700	2400	3200	15000	μA	
			ON	OFF	560		955	1150	1500	1700	1800	2200	16000	μA	
		ON	ON	600	1350		1850	2950	1700	2600	3600	15000	μA		
$I_{DDA18AON}$	Supply current in Standby2 mode	OFF	OFF	OFF	OFF	$V_{DD} = 3.3\text{ V}^{(1)}$	31.5	41	55.5	60	79	91	130	140	μA
						$V_{DD} = 1.8\text{ V}^{(3)}$	60	80	80	90.5	110	150	160	180	μA
	Supply current in Standby2 mode	RTC ON, LSE ON ⁽²⁾	ON	ON	ON	$V_{DD} = 3.3\text{ V}^{(1)}$	30.5	41.5	56	60	79	93	130	140	μA
						$V_{DD} = 1.8\text{ V}^{(3)}$	60	80	80	86	110	150	160	190	μA

1. Typical values given for $V_{DD} = 3.3\text{ V}$, maximum values for $V_{DD} = 3.6\text{ V}$.

2. LSE is set to medium-high drive.

3. typical values given for $V_{DD} = 1.8\text{ V}$, maximum values for $V_{DD} = 1.89\text{ V}$.

Table 33. Current consumption in VBAT1 mode

Evaluated by characterization, not tested in production unless otherwise specified.
D3 (CPU3) in SRun3 (DRun).

Symbol	Parameter	Conditions				V _{BAT} voltage	Typ				Max				Unit
		RTC/LSE	BKPSRAM	RETRAM	LPSRAM1		T _J = 25 °C	T _J = 85 °C	T _J = 105 °C	T _J = 125 °C	T _J = 25 °C	T _J = 85 °C	T _J = 105 °C	T _J = 125 °C	
I _{BAT}	Supply current in VBAT1 mode (D3 clocked by MSI 4 MHz)	RTC ON, LSE ON ⁽¹⁾	OFF	OFF	ON	V _{BAT} = 2.4 V	245	1300	2200	3650	590	3300	5300	8500	μA
						V _{BAT} = 3.0 V	250	1300	2200	3650	590	3300	5300	8500	
						V _{BAT} = 3.3 V	255	1300	2200	3650	590	3300	5400	8500	
						V _{BAT} = 3.6 V	255	1350	2200	3700	600	3400	5400	8600	
I _{BAT}	Supply current in VBAT1 mode (D3 clocked by MSI 16 MHz)	RTC ON, LSE ON ⁽¹⁾	OFF	OFF	ON	V _{BAT} = 2.4 V	490	1550	2450	3900	840	3600	5600	8800	μA
						V _{BAT} = 3.0 V	495	1550	2450	3900	850	3600	5600	8800	
						V _{BAT} = 3.3 V	495	1550	2450	3900	850	3600	5600	8800	
						V _{BAT} = 3.6 V	500	1600	2450	3950	850	3600	5600	8800	

1. LSE is set to medium-high drive.



Table 34. Current consumption in VBAT2 mode

Evaluated by characterization, not tested in production unless otherwise specified.
D3 (CPU3) in CStop (SStandby).

Symbol	Parameter	Conditions					Typ				Max				Unit
		RTC/LSE	BKPSRAM	RETRAM	LPSRAM1	V _{BAT} voltage	T _J = 25 °C	T _J = 85 °C	T _J = 105 °C	T _J = 125 °C	T _J = 25 °C	T _J = 85 °C	T _J = 105 °C	T _J = 125 °C	
I _{BAT}	Supply current in VBAT2 mode	OFF	OFF	OFF	OFF	V _{BAT} = 2.4 V	14.5	37	47	56.5	20	69	150	210	μA
		RTC ON, LSE ON ⁽¹⁾					ON	OFF	OFF	14.5	37.5	54.5	60.5	20	70
			OFF	ON	ON		17.5	66.5	100	190	27	150	310	440	μA
				OFF	OFF		ON	38.5	330	660	1250	82	780	1600	2900
			ON	ON	ON		ON	17	63.5	93.5	175	27	150	300	410
		ON	ON	ON	ON		44	385	770	1450	97	910	1800	3300	μA
I _{BAT}	Supply current in VBAT2 mode	OFF	OFF	OFF	OFF	V _{BAT} = 3.0 V	17.5	40.5	49.5	58.5	23	73	150	215	μA
		RTC ON, LSE ON ⁽¹⁾					ON	OFF	OFF	17.5	41	58	64.5	23	74
			OFF	ON	ON		20.5	69.5	105	195	31	150	310	440	μA
				OFF	OFF		ON	41.5	335	665	1300	85	780	1600	2900
			ON	ON	ON		ON	20	66.5	97	180	30	150	310	420
		ON	ON	ON	ON		47	385	775	1500	100	910	1800	3300	μA
I _{BAT}	Supply current in VBAT2 mode	OFF	OFF	OFF	OFF	V _{BAT} = 3.3 V	20	43.5	52	60	26	76	160	220	μA
		RTC ON, LSE ON ⁽¹⁾					ON	OFF	OFF	20	43.5	61	67.5	25	76
			OFF	ON	ON		22.5	72.5	110	200	33	160	320	450	μA
				OFF	OFF		ON	43.5	335	670	1300	87	780	1600	2900
			ON	ON	ON		ON	22.5	69.5	100	185	32	150	310	420
		ON	ON	ON	ON		49	390	775	1500	110	920	1800	3300	μA
I _{BAT}	Supply current in VBAT2 mode	OFF	OFF	OFF	OFF	V _{BAT} = 3.6 V	24	47.5	58	67.5	30	92	190	260	μA
		RTC ON, LSE ON ⁽¹⁾					ON	OFF	OFF	24.5	47.5	61	73	30	91
			OFF	ON	ON		27	87.5	135	240	37	170	350	490	μA
				OFF	OFF		ON	48.5	350	690	1300	92	800	1600	2900
			ON	ON	ON		ON	26.5	84.5	125	225	37	170	340	470
		ON	ON	ON	ON		53.5	405	800	1500	110	930	1800	3400	μA

1. LSE is set to medium-high drive.



6.3.5.2 I/O system current consumption

The current consumption of the I/O system has two components: static and dynamic.

6.3.5.3 I/O static current consumption

All the I/Os used as inputs with pull-up generate a current consumption when the pin is externally held low. The value of this current consumption can be simply computed by using the pull-up/pull-down resistors values given in [Table 61. I/O static characteristics](#).

For the output pins, any external pull-down or external load must also be considered to estimate the current consumption.

An additional I/O current consumption is due to I/Os configured as inputs if an intermediate voltage level is externally applied. This current consumption is caused by the input Schmitt trigger circuits used to discriminate the input value. Unless this specific configuration is required by the application, this supply current consumption can be avoided by configuring these I/Os in analog mode. This is notably the case of ADC input pins which must be configured as analog inputs.

Caution: *Any floating input pin can also settle to an intermediate voltage level or switch inadvertently, as a result of external electromagnetic noise. To avoid a current consumption related to floating pins, they must either be configured in analog mode, or forced internally to a definite digital value. This can be done either by using pull-up/down resistors or by configuring the pins in output mode.*

6.3.5.4 I/O dynamic current consumption

The I/Os used by an application contribute to the current consumption. When an I/O pin switches, it uses the current from the MCU supply voltage to supply the I/O pin circuitry and to charge/discharge the capacitive load (internal or external) connected to the pin.

The theoretical formula is provided below:

$$I_{SW} = V_{DD} \times f_{SW} \times C_L$$

where

- I_{SW} is the current sunk by a switching I/O to charge/discharge the capacitive load
- V_{DDx} is the MCU supply voltage
- f_{SW} is the I/O switching frequency
- C_L is the total capacitance seen by the I/O pin: $C = C_{INT} + C_{EXT}$

6.3.6 Wake-up time from low-power modes

The wake-up times given in [Table 35](#), [Table 36](#) and [Section 6.3.6](#) are measured starting from the wake-up event trigger up to the first instruction executed by the CPU1, CPU2 or CPU3:

- the CPU1, CPU2 or CPU3 goes in low-power mode after WFI (wait for interrupt) instruction.
- For CSleep modes:
 - Interrupt to GIC or NVIC is used to wake-up from low-power modes.
- For CStop modes (except Standby and V_{BAT}):
 - For CPU1 and CPU2: EXT11[x] is used to wake up from low-power modes.
 - For CPU3: EXT12[x] is used to wake up from low-power modes.
- For Standby modes:
 - WKUPx is used to wake up from low-power modes.
- For V_{BAT} modes
 - TAMP_INx is used to wake up from low-power modes.
- System mode is equal to D2 domain mode

All timings are derived from tests performed under ambient temperature and $V_{DD} = 3.3$ V.

General conditions unless otherwise noted:

- CPU1 software in SYSRAM
- CPU2 software in SRAMx
- CPU3 software in LPSRAMx
- HSE is 40 MHz

- When HSI is used, HSIKERON = 0
- PWRLP_DLY = 0
- LPLVDLY_D2 = 187 μ s
- $t_{WUCSleep}$ values are measured with internal interrupt
- $t_{WUCStop}$ and $t_{WULPLV-Stop}$ values are measured with EXTI pin
- $t_{WUStandby}$ values are measured with WKUP pin through PWR
- When V_{DDCORE} or V_{DDCPU} is shutdown or reduced, the wake-up time value depends on the supply characteristics.
 - Wake-up time in the following tables is measured with a 200 μ s V_{DDCORE} and V_{DDCPU} setup time
 - V_{DDCPU} or V_{DDCORE} startup time longer than 200 μ s must be added to the wake-up time value
 - When voltage is reduced, V_{DDCORE} is assumed to be back to nominal value before LPLVDLY_D2 expiration. Otherwise, LPLVDLY_D2 value must be increased accordingly and this directly impact wake-up time value.

Table 35. D1 (CPU1) low-power mode wake-up timings

Evaluated by characterization, not tested in production. Unless otherwise noted.

Symbol	D1 (CPU1) mode	D2 (CPU2) mode	D3 (CPU3) mode	Conditions for wake-up domain	Typ	Max	Unit
$t_{WUCSleep_CPU1}$	DRun (CSleep)	Run1 (CStop)	(Reset)	SEV between CPU1 cores	-	15	CPU1 clock cycles
				HSI	-	12 + 20	$T_{ck_icn_nic} + T_{ck_cpu1_ext2f}$
				HSE + PLL1	-	12 + 20	$T_{ck_icn_nic} + T_{PLL1}$
	DRun (eCSleep) ⁽¹⁾	Run1 (CStop)	(Reset)	HSE + PLL1	-	12 + 20	$T_{ck_icn_nic} + T_{ck_cpu1_ext2f}$
$t_{WUCStop_CPU1}$	DStop1 (CStop)	Run1 (CRun)	(Reset)	HSI 64 MHz	8.2	10	μ s
				HSE + PLL1 1200 MHz	180	-	μ s
	DStop1 (CStop) ⁽²⁾	Stop1 (CStop) ⁽²⁾	(Reset)	HSI 64 MHz ⁽³⁾	3.3	15	μ s
				HSI 64 MHz	8.2	10	μ s
	DStandby (CStop) ⁽⁴⁾	Stop2 (CStop) ⁽²⁾	(Reset)	HSE + PLL1 1200 MHz	180	-	μ s
				HSI 64 MHz ⁽³⁾⁽⁵⁾	660	-	μ s
$t_{WULPLV-Stop_CPU1}$	DStop3 (CStop) ⁽²⁾⁽⁶⁾	LPLV-Stop1 (CStop) ⁽²⁾⁽⁶⁾	(Reset)	HSI 64 MHz, PWRLP_DLY = 100 μ s	1000	1200	μ s
	DStandby (CStop) ⁽⁴⁾⁽⁶⁾	LPLV-Stop2 (CStop) ⁽²⁾⁽⁶⁾	(Reset)	HSI 64 MHz ⁽⁵⁾	1500 (1000)	-	μ s ⁽⁷⁾

1. eCSleep mean CPU1 in enhanced CSleep with PLL1 automatically stopped (RCC_C1SREQSETR.ESLPREQ = 1). In this mode, CPU1 wake on ck_cpu1_ext2f , then CPU1 switch back automatically to PLL1 after PLL lock time.
2. PDDS_Dx = 0.
3. HSI active (HSIKERON = 1).
4. PDDS_Dx = 1.
5. CPU1 wake-up address register points to SYSRAM code.
6. LPDS_Dx=1 and LVDS_Dx = 1.
7. Value in parenthesis is for wake-up using WKUP pin through PWR.

Table 36. D2 (CPU2) low-power mode wake-up timings

Evaluated by characterization, not tested in production. Unless otherwise noted.

Symbol	D1 (CPU1) mode	D2 (CPU2) mode	D3 (CPU3) mode	Conditions for wake-up domain	Typ	Max	Unit
$t_{WUCSleep_CPU2}^{(1)}$	DStop1 (CStop)	Run1 (CSleep)	(Reset)	-	-	14	CPU2 clock cycles
$t_{WUCStop_CPU2}$	DRun (CRun)	Run1 (CStop)	(Reset)	HSI 64 MHz	-	1.2	μ s
				HSE + PLL 400 MHz	180	-	μ s
	DStop1 (CStop) ⁽²⁾	Stop1 (CStop) ⁽²⁾	(Reset)	HSI 64 MHz ⁽³⁾	2.7	6.2	μ s
				HSI 64 MHz	7.6	-	μ s
				HSE + PLL 400 MHz	180	-	μ s
$t_{WULPLV-Stop_CPU2}$	DStop3 (CStop) ⁽²⁾ ⁽⁴⁾	LPLV-Stop1 (CStop) ⁽²⁾⁽⁴⁾	(Reset)	HSI 64 MHz ⁽⁵⁾	900	1200	μ s
				HSI 64 MHz ⁽⁶⁾	1000	1300	μ s
	DStandby (CStop) ⁽⁴⁾⁽⁷⁾	LPLV-Stop2 (CStop) ⁽²⁾⁽⁴⁾	(Reset)	HSI 64 MHz	1500 (900) ⁽⁸⁾	-	μ s
$t_{WUStandby_CPU2}$	DStandby (CStop) ⁽⁹⁾	Standby2 (CStop) ⁽⁹⁾	(Reset) ⁽⁹⁾	HSI 64 MHz, RETRAM	1700 (800) ⁽¹⁰⁾	-	μ s

1. Specified by design, not tested in production.

2. PDDS_Dx = 0.

3. HSI active (HSIKERON = 1).

4. LPDS_Dx = 1 and LVDS_Dx = 1.

5. CPU2TMPSKP = 1 or PWRLP_DLY = 0.

 6. CPU2TMPSKP = 0 and PWRLP_DLY = 100 μ s.

7. PDDS_Dx = 1

8. Value in parenthesis is for wake-up using WKUP pin through PWR or wake-up using EXTI without simultaneous CPU1 wake-up.

9. PDDS_Dx = 1.

10. Value in parenthesis is for RAMCFG_RETRAMCCR1.CRCBS[2:0] = 0 (only 16 Kbytes RETRAM CRC check).

Table 37. Wake-up time using USART/LPUART

Specified by design, not tested in production.

Symbol	Parameter	Conditions	Typ	Max	Unit
$t_{WUUSART}$ $t_{WULPUART}$	Wake-up time needed to calculate the maximum USART/LPUART baud rate allowing the wake-up from low-power mode	Stop1/2 HSI clock with HSIKERON = 0	-	6.4	μ s
$t_{WULPUART_LPLV}$	Wake-up time needed to calculate the maximum LPUART baud rate allowing the wake-up from low-power mode	LPLV-Stop1/2 MSI clock with MSIKERON = 0	-	580	μ s

6.3.7 External clock source characteristics

6.3.7.1 High-speed external user clock generated from an external source

In bypass mode the HSE oscillator is switched off and the input pin is a standard I/O.

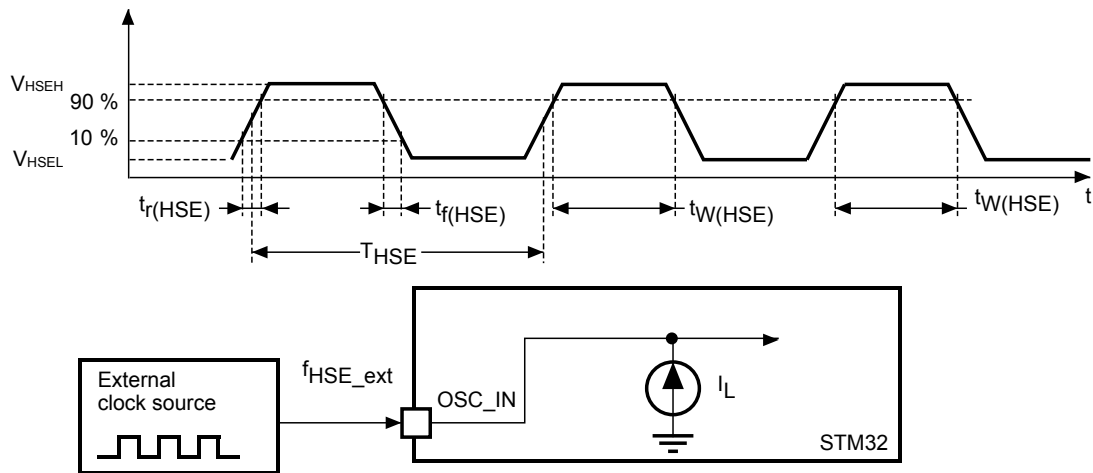
Digital and analog bypass modes are available.

 The external clock signal must respect the [Table 61. I/O static characteristics](#). However, the recommended clock input waveform is shown in [Figure 14](#) for digital bypass mode and in [Figure 15](#) for analog bypass mode. In analog bypass mode the clock can be a sinusoidal waveform.

Table 38. High-speed external (HSE) user clock characteristics (digital bypass)

Evaluated by characterization, not tested in production unless otherwise specified.

Symbol	Parameter	Conditions		Min	Typ	Max	Unit
f_{HSE_ext}	User external clock source frequency	-	-	16	40	48	MHz
V_{HSEH}	OSC_IN input pin high level voltage	-	-	$0.7 \times V_{DDA18AON}$	-	$V_{DDA18AON}$	V
V_{HSEL}	OSC_IN input pin low level voltage	-	-	V_{SS}	-	$0.3 \times V_{DDA18AON}$	
$t_{W(HSE)}$	OSC_IN high or low time	-	-	7	-	-	ns

Figure 14. High-speed external clock source AC timing diagram (digital bypass)


DT17528V1

Table 39. High-speed external (HSE) user clock characteristics (analog bypass)

Evaluated by characterization, not tested in production unless otherwise specified.

Symbol	Parameter	Conditions	Min	Typ	Max	Unit
f_{HSE_ext}	User external clock source frequency	-	16	40	48	MHz
	Input duty cycle (square wave)	-	45	50	55	%
	duty cycle deterioration ⁽¹⁾	-	-	$\pm 10^{(2)}$	$\pm 30^{(3)}$	%
V_{HSE}	Absolute input range	-	0	-	$V_{DDA18AON}$	V
V_{PP}	OSC_IN peak-to-peak amplitude	-	$0.2^{(4)}$	-	$0.67 \times V_{DDA18AON}$	
$t_{SU(HSE)}$	Time to start ⁽⁵⁾	-	-	1	$10^{(6)}$	μs
$t_r/t_f(HSE)$	Rise and Fall time (10% to 90% threshold levels of the input peak-to-peak amplitude)	-	$0.05 \times T_{HSE}$	-	$0.3 \times T_{HSE}$	ns

1. Specified by design, not tested in production.

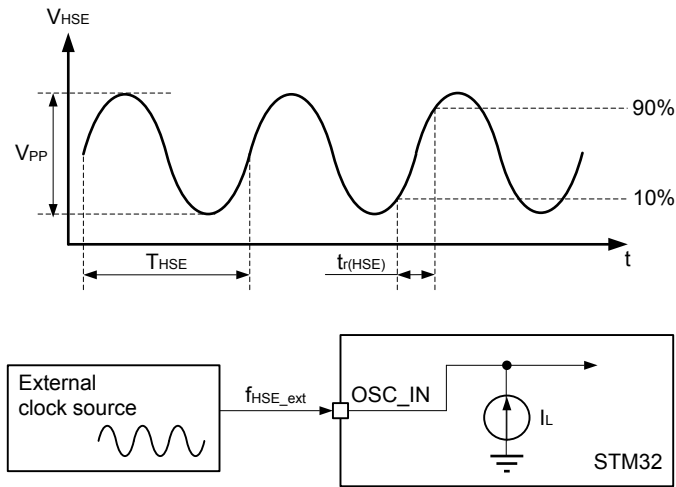
 2. With a square wave signal (at 25 °C, $V_{DDA18AON} = 1.8 V / V_{PP} = 400 mV / V_{DC} = 0.8 V$) where V_{DC} is the DC component of the input signal.

 3. With a square wave signal (at 25 °C, $V_{DDA18AON} = 1.71 V / V_{PP} = 200 mV / V_{DC} = 0.8 V$) where V_{DC} is the DC component of the input signal.

 4. Minimum peak-to-peak amplitude (at 25 °C, $0.1 < V_{DC} < V_{DDA18AON} - 0.1 V$) where V_{DC} is the DC component of the input signal.

5. Startup time measured from the moment it is enabled (by software) to a stabilized analog bypass clock interface is reached.

6. Maximum start-up time is obtained with 200 mV peak-to-peak amplitude.

Figure 15. High-speed external clock source AC timing diagram (analog bypass)


DT47498V1

6.3.7.2
Low-speed external user clock generated from an external source

In bypass mode the LSE oscillator is switched off and the input pin is a standard I/O. The external clock signal must respect the [Table 61. I/O static characteristics](#). However, the recommended clock input waveform is shown in [Figure 16](#) for digital bypass and [Figure 17](#) for analog bypass.

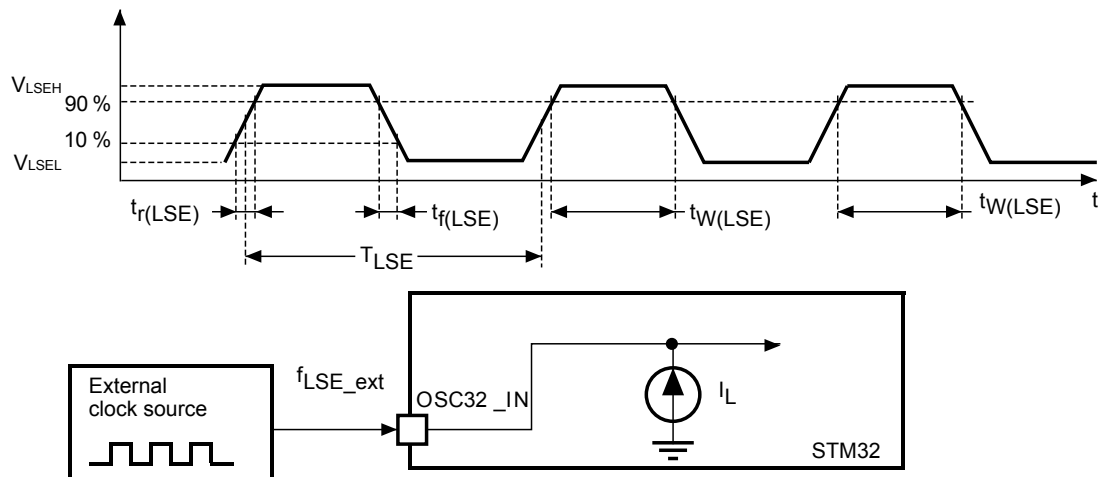
Table 40. Low-speed external (LSE) user clock characteristics (digital bypass)

Evaluated by characterization, not tested in production unless otherwise specified.

Symbol	Parameter	Conditions	Min	Typ	Max	Unit
$f_{LSE_ext}^{(1)}$	User external clock source frequency	-	-	32.768	-	kHz
V_{LSEH}	OSC32_IN input pin high level voltage	-	$0.75 \times V_{SW}$	-	$V_{SW}^{(2)}$	V
V_{LSEL}	OSC32_IN input pin low level voltage	-	V_{SS}	-	$0.25 \times V_{SW}$	
$t_{W(LSE)}$	OSC32_IN high or low time	-	250	-	-	ns

1. Specified by design, not tested in production.

2. V_{SW} is equal to V_{DD} when present or V_{BAT} otherwise.

Figure 16. Low-speed external clock source AC timing diagram (digital bypass)


DT17529V1

Table 41. Low-speed external (LSE) user clock characteristics (analog bypass)

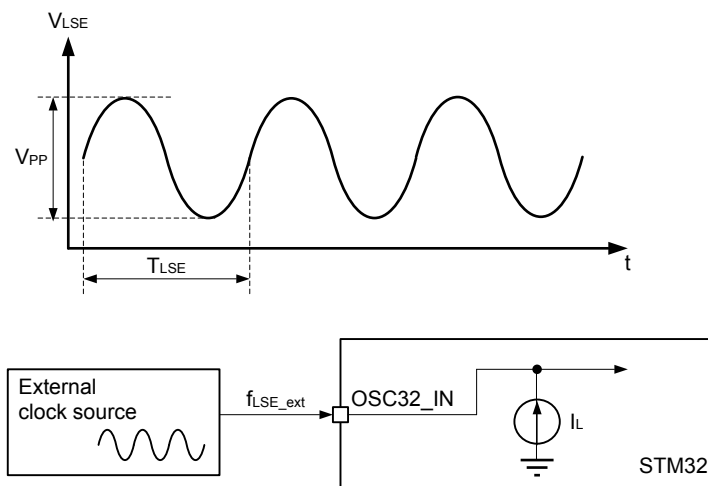
Evaluated by characterization, not tested in production unless otherwise specified.

Symbol	Parameter	Conditions	Min	Typ	Max	Unit
$f_{LSE_ext}^{(1)}$	User external clock source frequency	-	-	32.768	-	kHz
V_{LSE}	Absolute input range	-	0	-	$V_{SW}^{(2)}$	V
V_{PP}	OSC32_IN peak-to-peak amplitude	-	0.2 ⁽³⁾	1	-	

1. Specified by design, not tested in production.

 2. V_{SW} is equal to V_{DD} when present or V_{BAT} otherwise.

 3. Minimum peak-to-peak amplitude (at 25 °C, $0.1 < V_{DC} < V_{SW} - 0.1$ V) where V_{DC} is the DC component of the input signal.

Figure 17. Low-speed external clock source AC timing diagram (analog bypass)


DT63037V1

6.3.7.3

High-speed external clock generated from a crystal/ceramic resonator

The high-speed external (HSE) clock can be supplied with a 16 to 48 MHz crystal/ceramic resonator oscillator. All the information given in this paragraph are based on characterization results obtained with typical external components specified in Table 42. In the application, the resonator and the load capacitors must be placed as close as possible to the oscillator pins in order to minimize output distortion and startup stabilization time. Refer to the crystal resonator manufacturer for more details on the resonator characteristics (frequency, package, accuracy).

Table 42. High-speed external (HSE) oscillator characteristics

Evaluated by characterization, not tested in production unless otherwise specified.

Symbol	Parameter	Conditions	Min	Typ	Max	Unit
$f_{HSE}^{(1)}$	Crystal frequency	-	16	40	48	MHz
$R_F^{(1)}$	Internal feedback equivalent resistor	-	-	250	-	k Ω
$I_{VDDA18AON(HSE)}$	HSE current consumption on $V_{DDA18AON}$	During startup	-	-	10	mA
		$R_m = 80 \Omega$, $C_L = 6$ pF at 40 MHz ⁽³⁾	-	4.6	-	
$G_{m_critmax}^{(1)}$	Maximum critical crystal gm	Startup	-	-	1.95	mA/V
t_{SU}	Start-up time ⁽⁴⁾	-	-	2	-	ms

1. Specified by design, not tested in production.

 2. This consumption level occurs during the first 2/3 of the $t_{SU(HSE)}$ startup time.

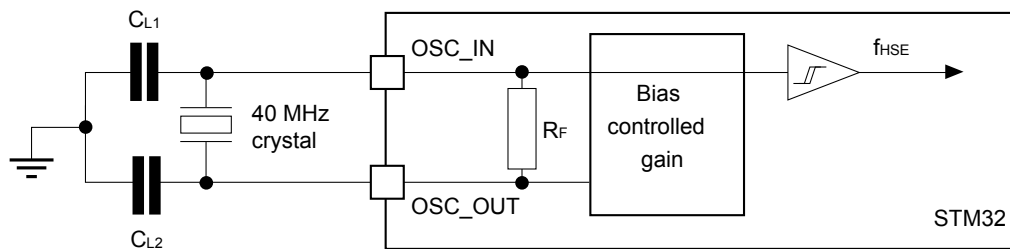
3. Resonator characteristics given by the crystal/ceramic resonator manufacturer.

4. Measured from the moment it is enabled (by software) to a stabilized 40 MHz oscillation is reached. This value is measured for a standard crystal resonator and it can vary significantly with the crystal manufacturer.

For C_{L1} and C_{L2} , it is recommended to use high-quality external ceramic capacitors, designed for high-frequency applications, and selected to match the requirements of the crystal or resonator (see Figure 18). C_{L1} and C_{L2} are usually the same size. The crystal manufacturer typically specifies a load capacitance which is the series combination of C_{L1} and C_{L2} . The PCB and pin capacitance must be included (4 pF can be used as a rough estimate of the combined pin and board capacitance) when sizing C_{L1} and C_{L2} .

Note: For information on selecting the crystal, refer to the application note AN2867 "Oscillator design guide for STM8AF/AL/S, STM32 MCUs and MPUs" available from the ST website www.st.com.

Figure 18. Typical application with a 40 MHz crystal



DT63062V1

6.3.7.4 Low-speed external clock generated from a crystal/ceramic resonator

The low-speed external (LSE) clock can be supplied with a 32.768 kHz crystal/ceramic resonator oscillator. All the information given in this paragraph are based on characterization results obtained with typical external components specified in Table 43. In the application, the resonator and the load capacitors must be placed as close as possible to the oscillator pins in order to minimize output distortion and startup stabilization time. Refer to the crystal resonator manufacturer for more details on the resonator characteristics (frequency, package, accuracy).

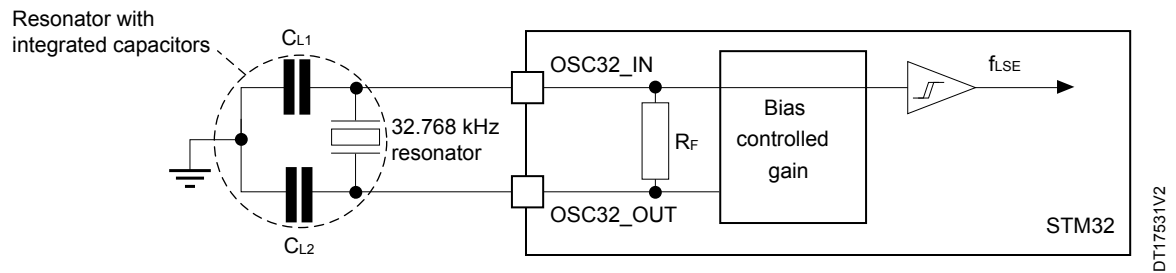
Table 43. Low-speed external (LSE) oscillator characteristics

Evaluated by characterization, not tested in production unless otherwise specified.

Symbol	Parameter	Conditions	Min	Typ	Max	Unit
$f_{LSE}^{(1)}$	Oscillator frequency	-	-	32.768	-	kHz
$G_{m_{critmax}}$	Maximum critical crystal gm	LSEDRV[1:0] = 00, Low drive capability	-	-	0.5	$\mu A/V$
		LSEDRV[1:0] = 10, Medium Low drive capability	-	-	0.75	
		LSEDRV[1:0] = 01, Medium high drive capability	-	-	1.7	
		LSEDRV[1:0] = 11, High drive capability	-	-	2.7	
$t_{SU}^{(2)}$	Startup time	V_{SW} is stabilized	-	2	-	s

1. Specified by design, not tested in production.
2. t_{SU} is the startup time measured from the moment it is enabled (by software) to a stabilized 32.768 kHz oscillation is reached. This value is measured for a standard crystal resonator and it can vary significantly with the crystal manufacturer.

Note: For information on selecting the crystal, refer to the application note AN2867 "Oscillator design guide for STM8AF/AL/S, STM32 MCUs and MPUs" available from the ST website www.st.com.

Figure 19. Typical application with a 32.768 kHz crystal


1. Adding an external resistor between OSC32_IN and OSC32_OUT is forbidden.

6.3.8 External clock source security characteristics

Table 44. High-speed external user clock security system (HSE CSS)

Evaluated by characterization, not tested in production unless otherwise specified.

Symbol	Parameter	Conditions	Min	Typ	Max	Unit
$t_{DCM(HSE_CSS)}$	Time to detect clock missing	$f_{HSE} = 48 \text{ MHz}$	-	1	2	μs

Table 45. Low-speed external user clock security system (LSE CSS)

Evaluated by characterization, not tested in production unless otherwise specified.

Symbol	Parameter	Conditions	Min	Typ	Max	Unit
$t_{DCM(LSE_CSS)}$	Time to detect clock missing	-	-	-	300	μs
$f_{MAX(LSE_CSS)}$	Cut-off frequency	-	-	-	2	MHz

6.3.9 Internal clock source characteristics

The parameters given in Table 46, Table 47 and Table 48 are derived from tests performed under ambient temperature and supply voltage conditions summarized in Table 17. General operating conditions.

6.3.9.1 64 MHz high-speed internal RC oscillator (HSI)

Table 46. HSI oscillator characteristics

Evaluated by characterization, not tested in production unless otherwise specified.

Symbol	Parameter	Conditions	Min	Typ	Max	Unit
$f_{HSI}^{(1)}$	HSI frequency	$V_{DDA18AON} = 1.8 \text{ V}, T_J = 30 \text{ }^\circ\text{C}$	63.68	64	64.32	MHz
TRIM	HSI trimming step	-	-	0.25	0.5	%
DuCy(HSI)	Duty Cycle	-	40	-	60	%
$\Delta V_{DDA18AON(HSI)} + \Delta T_J(HSI)$	HSI oscillator frequency drift over voltage and temperature variation (after factory calibration) ⁽²⁾	$T_J = -40 \text{ to } 125 \text{ }^\circ\text{C}$	-8.5	-	+8.5	%
$t_{su(HSI)}$	HSI oscillator start-up time (Time between Enable rising and First output clock edge.)	-	-	-	3	μs
$t_{stab(HSI)}$	HSI oscillator stabilization time	At 1% of target frequency	-	-	5	μs
$I_{VDDCORE(HSI)}$	HSI supply current on V_{DDCORE}	-	-	-	10	μA
$I_{VDD18AON(HSI)}$	HSI supply current on $V_{DDA18AON}$	-	-	300	400	μA

1. Guaranteed by test in production.

2. If better tolerance is needed (for example for UART kernel clock usage), the HSI could be trimmed during run time by measuring its frequency with a better reference like HSE crystal. The HSI trimming must be done regularly or whenever there is significant variation on supply voltage or temperature.

6.3.9.2 4/16 MHz low-power internal RC oscillator (MSI)

Table 47. MSI oscillator characteristics

Evaluated by characterization, not tested in production unless otherwise specified.

Symbol	Parameter	Conditions	Min	Typ	Max	Unit	
f_{MSI}	CSI frequency	$V_{DDCORE} = 0.82\text{ V}$, $T_J = 30\text{ °C}$	MSIFREQSEL=0 ⁽¹⁾	3.956	4	4.044	MHz
			MSIFREQSEL=1	15.824	16	16.176	
TRIM	MSI trimming step	Trimming Code is not a multiple of 32	-	0.8	1.1	%	
		Trimming Code is a multiple of 32	-	-2.5	-3.8		
DuCy(MSI)	Duty Cycle	At trimmed frequency	45	-	55	%	
ΔT_J (MSI)	MSI oscillator frequency drift over temperature	$T_J = -40\text{ °C}$ to 70 °C	-5	-	+5	%	
		$T_J = -40\text{ °C}$ to 125 °C	-6	-	+6		
t_{su} (MSI)	MSI oscillator start-up time	-	-	-	3.5	μs	
$I_{VDDCORE}$ (MSI)	MSI Supply current on V_{DDCORE}	at 4 MHz	MSIFREQSEL = 0	-	20	22	μA
		at 16 MHz	MSIFREQSEL = 1	-	60	68	

1. Guaranteed by test in production.

6.3.9.3 32 kHz low-speed internal (LSI) RC oscillator

Table 48. LSI oscillator characteristics

Evaluated by characterization, not tested in production unless otherwise specified.

Symbol	Parameter	Conditions	Min	Typ	Max	Unit
f_{LSI}	LSI Frequency	$T_J = 30\text{ °C}$ ⁽¹⁾	30.5	32	33.5	kHz
		$T_J = -40\text{ to }125\text{ °C}$	28.8	32	33.6	
t_{su} (LSI)	LSI oscillator start-up time (time between enable rising and first output clock edge.)	-	-	-	180	μs
I_{VSW} (LSI)	LSI supply current on V_{SW} ⁽²⁾	-	-	250	500	nA

1. Guaranteed by test in production.
 2. V_{SW} is equal to V_{DD} when present or V_{BAT} otherwise.

6.3.10 PLL characteristics

The parameters given in Table 49 , Table 50 , Table 51 and Table 52. PLL_LVDS characteristics are derived from tests performed under temperature and supply voltage conditions summarized in Table 17. General operating conditions .

Table 49. PLL1 to PLL8 characteristics

Specified by design, not tested in production unless otherwise specified.

Symbol	Parameter	Conditions	Min	Typ	Max	Unit
f_{PLL_IN}	PLL input clock	Normal mode	5	-	64	MHz
		Sigma delta mode	10	-	64	
f_{PFD}	PFD input clock	Normal mode	5	$f_{PLL_IN}/FREFDIV$	50	MHz

Symbol	Parameter	Conditions	Min	Typ	Max	Unit	
f _{PFD}	PFD input clock	Sigma delta mode	10	-	min(50, f _{VCO} /20)	MHz	
f _{FOUTPOSTDIV}	Divided output clock	-	16.32	-	3200	MHz	
	Divided output clock duty cycle	Division by 1	48	50	52	%	
		Even Division	48	50	52		
		Odd Division	47	50	53		
f _{VCO}	PLL VCO output	-	800	-	3200	MHz	
t _{LOCK}	PLL lock time	Frequency lock	-	-	400	1/f _{PFD} cycles	
		f _{PFD} = 40 MHz (f _{PLL_IN} = 40 MHz, FREFDIV = 1)	-	-	10	μs	
Jitter	RMS period jitter	f _{VCO} = 3200 MHz	-	-	0.26	+/_ps	
	RMS integrated jitter (10 kHz - 20 MHz)	f _{VCO} = 3200 MHz, F _{PFD} = 25 MHz	Integer divider	-	±2.7	±6.6	ps
			fracN divider	-	-	±11.9	
I _{VDDA18PLL} ⁽¹⁾	PLL supply current on V _{DDA18PLL} (Analog)	f _{VCO} = 3200 MHz	FBDIV < 256	-	5750	6850	μA
			FBDIV > 255	-	7050	8450	
		f _{VCO} = 800 MHz	FBDIV < 256	-	715	860	
				-	1200	3650	
I _{VDDCORE(PLL)} ⁽¹⁾	PLL supply current on V _{DDCORE} (Digital)	f _{VCO} = 3200 MHz	V _{DDCORE} = 0.82 V	-	1200	3650	
				f _{VCO} = 800 MHz	-	295	910

1. Evaluated by characterization, not tested in production.

Table 50. PLL_USB characteristics

Specified by design, not tested in production unless otherwise specified.

Symbol	Parameter	Conditions	Min	Typ	Max	Unit
f _{PLL_IN}	PLL input clock	Only those 3 values (min, typ or max) are possible	19.2	20	38.4	MHz
f _{PLL_OUT}	PLL output clock	-	-	480	-	MHz

Table 51. PLL_DSI characteristics

Specified by design, not tested in production unless otherwise specified.

Symbol	Parameter	Conditions	Min	Typ	Max	Unit
f _{PLL_IN}	PLL input clock	-	2	-	64	MHz
f _{PLL_INFIN}	PFD input clock	-	2	-	24	
f _{PLL_OUT}	PLL output clock	-	40	-	1250	
f _{VCO_OUT}	PLL VCO output	-	320	-	1250	
t _{LOCK}	PLL lock time ⁽¹⁾	-	-	-	150	μs
t _{PDN}	PLL power down time	-	0.1	-	-	

1. Evaluated by characterization, not tested in production.

Table 52. PLL_LVDS characteristics

Specified by design, not tested in production unless otherwise specified.

Symbol	Parameter	Conditions	Min	Typ	Max	Unit
f _{PLL_IN}	PLL input clock	-	3	-	24	MHz

Symbol	Parameter	Conditions		Min	Typ	Max	Unit
f _{PLL_INFIN}	PFD input clock	-	-	3	-	24	MHz
f _{PLL_OUT}	PLL output clock	-	-	-	-	1100	
f _{VCO_OUT}	PLL VCO output	-	-	1800	2200	3000	
t _{LOCK} ⁽¹⁾	PLL lock time	-	-	-	-	355	μs
f _{Mod}	Modulation frequency	-	-	-	33	-	kHz
md	Modulation depth	-	-	-	0.25	5	%
I _{VDDA18LVDS} ⁽¹⁾	PLL supply current on V _{DDA18LVDS}	-	-	-	4.9	-	mA
I _{VDDLVD} ⁽¹⁾	PLL supply current on V _{DDLVD}	-	-	-	1.4	-	mA

1. Evaluated by characterization, not tested in production.

6.3.11 PLL spread spectrum clock generation (SSCG) characteristics

The spread spectrum clock generation (SSCG) feature allows the reduction of electromagnetic interferences (see Section 6.3.13.4). It is available only on the PLL2 to PLL8.

Table 53. PLL2 to PLL8 SSCG parameters constraints

Specified by design, not tested in production.

Symbol	Parameter	Min	Typ	Max	Unit
F _{MOD}	Modulation frequency	5.2	-	391	kHz
M _D	Peak modulation depth	0.1	-	3.1	%

6.3.12 Memory characteristics

6.3.12.1 OTP characteristics

The characteristics are given at T_J = -40 to 125 °C unless otherwise specified.

Table 54. OTP characteristics

Evaluated by characterization, not tested in production unless otherwise specified.

Symbol	Parameter	Conditions	Min	Typ	Max	Unit
I _{OTP(VDDA18AON)}	OTP supply current on V _{DDA18AON}	Programming	-	3.8	10	mA
		Reading	-	0.66	1.13	
		PowerDown	-	5	132	μA
I _{OTP(VDDCORE)}	OTP supply current on V _{DDCORE}	Programming	-	0.09	0.45	mA
		Reading	-	1.8	3.6	
		PowerDown	-	8	500	μA

6.3.13 EMC characteristics

Susceptibility tests are performed on a sample basis during device characterization.

6.3.13.1 Functional EMS (electromagnetic susceptibility)

While a simple application is executed on the device (toggling 2 LEDs through I/O ports), the device is stressed by two electromagnetic events until a failure occurs. The failure is indicated by the LEDs:

- **Electrostatic discharge (ESD)** (positive and negative) is applied to all device pins until a functional disturbance occurs. This test is compliant with the IEC 61000-4-2 standard.
- **FTB**: a burst of fast transient voltage (positive and negative) is applied to V_{DD} and V_{SS} through a 100 pF capacitor, until a functional disturbance occurs. This test is compliant with the IEC 61000-4-4 standard.

A device reset allows normal operations to be resumed.

The test results are given in Table 55. They are based on the EMS levels and classes defined in application note AN1709 available from the ST website www.st.com.

Table 55. EMS characteristics

Evaluated by characterization, not tested in production.

Symbol	Parameter	Conditions	Level/Class
V _{FESD}	Voltage limits to be applied on any I/O pin to induce a functional disturbance	V _{DD} = 3.3 V, TA = +25 °C, TFBGA436 package, F _{PLL1} = 1200 or 1500 MHz, F _{ck_ign_hs_mcu} = 400 MHz, Cortex-M33/Cortex-M0+ cores not running, conforms to IEC 61000-4-2	2B
V _{FTB}	Fast transient voltage burst limits to be applied through 100 pF on VDD and VSS pins to induce a functional disturbance		5A

As a consequence, it is recommended to add a serial resistor (1 kΩ) located as close as possible to the device pins exposed to noise (connected to tracks longer than 50 mm on PCB).

6.3.13.2 Designing hardened software to avoid noise problems

EMC characterization and optimization are performed at component level with a typical application environment and simplified MCU software. It must be noted that good EMC performance is highly dependent on the user application and the software.

Therefore, it is recommended that the user applies EMC software optimization and prequalification tests in relation with the EMC level requested for his application.

6.3.13.3 Software recommendations

The software flowchart must include the management of runaway conditions such as:

- Corrupted program counter
- Unexpected reset
- Critical Data corruption (such as control registers)

See also application note AN1015.

6.3.13.4 Electromagnetic Interference (EMI)

The electromagnetic field emitted by the device are monitored while a simple application, executing EEMBC code, is running. This emission test is compliant with SAE IEC61967-2 standard which specifies the test board and the pin loading.

Table 56. EMI characteristics for f_{HSE} = 40 MHz and F_{PLL1} = 1200 MHz

Evaluated by characterization, not tested in production.

Symbol	Parameter	Conditions	Monitored frequency band	Value	Unit
S _{EMI}	Peak ⁽¹⁾	V _{DD} = 3.6 V, TA = 25 °C, TFBGA436 package, F _{ck_ign_hs_mcu} = 400 MHz, Cortex-M33/Cortex-M0+ cores not running, conforming to IEC61967-2	0.1 MHz to 30 MHz	14	dBμV
			30 MHz to 130 MHz	9	
			130 MHz to 1 GHz	21	
			1 GHz to 2 GHz	8	
	Level ⁽²⁾		0.1 MHz to 2 GHz	3	-

1. Refer to AN1709 "EMI radiated test" section.

2. Refer to AN1709 "EMI level classification" section.

Table 57. EMI characteristics for $f_{HSE} = 40$ MHz and $F_{PLL1} = 1500$ MHz

Evaluated by characterization, not tested in production.

Symbol	Parameter	Conditions	Monitored frequency band	Value	Unit
S_{EMI}	Peak ⁽¹⁾	$V_{DD} = 3.6$ V, $T_A = 25$ °C, TFBGA436 package, $F_{ck_icn_hs_mcu} = 400$ MHz, Cortex-M33/Cortex-M0+ cores not running, conforming to IEC61967-2	0.1 MHz to 30 MHz	-	dB μ V
			30 MHz to 130 MHz	-	
			130 MHz to 1 GHz	-	
			1 GHz to 2 GHz	-	
	Level ⁽²⁾		0.1 MHz to 2 GHz	-	-

1. Refer to AN1709 "EMI radiated test" section.

2. Refer to AN1709 "EMI level classification" section.

6.3.14 Absolute maximum ratings (electrical sensitivity)

Based on three different tests (ESD, LU) using specific measurement methods, the device is stressed in order to determine its performance in terms of electrical sensitivity.

6.3.14.1 Electrostatic discharge (ESD)

Electrostatic discharges (a positive then a negative pulse) are applied to the pins of each sample according to each pin combination. This test conforms to the ANSI/ESDA/JEDEC JS-001 and ANSI/ESDA/JEDEC JS-002 standards.

Table 58. ESD absolute maximum ratings

Evaluated by characterization, not tested in production.

Symbol	Ratings	Conditions	Packages	Class	Maximum value	Unit
$V_{ESD(HBM)}$	Electrostatic discharge voltage (human body model)	$T_A = +25$ °C conforming to ANSI/ESDA/JEDEC JS-001.	All	2	2000 ⁽¹⁾	V
$V_{ESD(CDM)}$	Electrostatic discharge voltage (charge device model)	$T_A = +25$ °C conforming to ANSI/ESDA/JEDEC JS-002	All	C1	250	V

1. 330 V for UCPD I/Os.

6.3.14.2 Static latchup

Two complementary static tests are required on three parts to assess the latchup performance:

- A supply overvoltage is applied to each power supply pin
- A current injection is applied to each input, output and configurable I/O pin

These tests are compliant with JESD78 IC latchup standard.

Table 59. Electrical sensitivities

Evaluated by characterization, not tested in production.

Symbol	Parameter	Conditions	Class
LU	Static latchup class	$T_A = +25$ °C conforming to JESD78	II level A

6.3.15 I/O current injection characteristics

 As a rule, a current injection to the I/O pins, due to external voltage below V_{SS} or above V_{DD} must be avoided during the normal product operation. However, in order to give an indication of the robustness of the device in cases when an abnormal injection accidentally happens, susceptibility tests are performed on a sample basis during the device characterization.

6.3.15.1 Functional susceptibility to I/O current injection

While a simple application is executed on the device, the device is stressed by injecting current into the I/O pins programmed in floating input mode. While current is injected into the I/O pin, one at a time, the device is checked for functional failures.

The failure is indicated by an out-of-range parameter:

- ADC error above a certain limit: higher than 5 LSB total unadjusted error (TUE),
- Out of conventional limits of induced leakage current on adjacent pins (out of $-5 \mu\text{A}/+0 \mu\text{A}$ range)
- Other functional failure (for example reset, oscillator frequency deviation).

The following tables are the compilation of the SIC1/SIC2 and functional ESD results.

Negative induced A negative induced leakage current is caused by negative injection and positive induced leakage current by positive injection.

Table 60. I/O current injection susceptibility

Evaluated by characterization, not tested in production unless otherwise specified.

Symbol	Description	Negative Injection	Positive Injection	Unit
IINJ	ANA0, ANA1	5	0	mA
	OSC32_IN, OSC32_OUT, PC13, PI8, PZ0, PZ1, PZ2, PZ3, PZ4, PZ5, PZ6, PC3, PC4, PC5, PF6, PF7, PG1, PG3	0	NA	
	All other digital I/Os	5	NA	

6.3.16 I/O port characteristics

General input/output characteristics

Unless otherwise specified, the parameters given in Table 61. I/O static characteristics are derived from tests performed under the conditions summarized in Table 17. General operating conditions . All I/Os are CMOS and TTL compliant.

Table 61. I/O static characteristics

Evaluated by characterization, not tested in production unless otherwise specified.

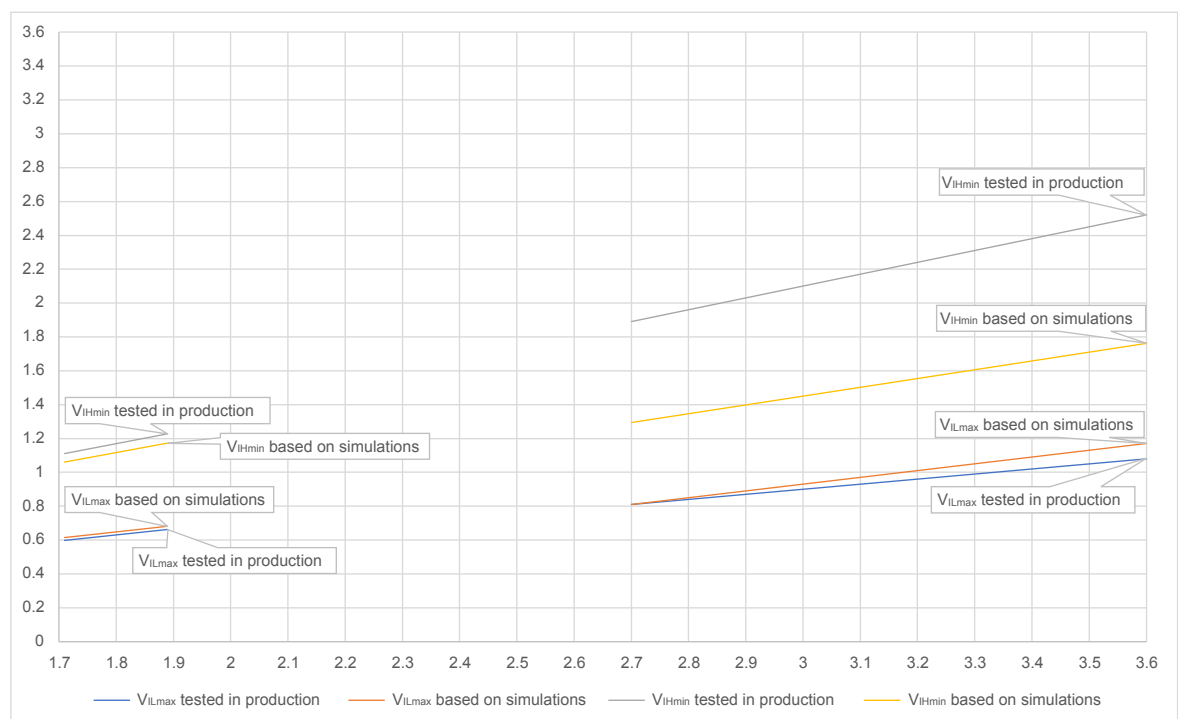
Symbol	Parameter	Condition	Min	Typ	Max	Unit
V _{IL} ⁽¹⁾	I/O input low voltage	$2.7 < V_{DDx} < 3.6 \text{ V}$	-	-	$0.3 \times V_{DDx}$	V
		$1.71 < V_{DDx} < 1.89 \text{ V}$	-	-	$0.35 \times V_{DDx}$	V
V _{IH} ⁽¹⁾	I/O input high voltage	$2.7 < V_{DDx} < 3.6 \text{ V}$	$0.7 \times V_{DDx}$	-	-	V
		$1.71 < V_{DDx} < 1.89 \text{ V}$	$0.65 \times V_{DDx}$	-	-	V
V _{IL} ⁽²⁾	I/O input low voltage	$2.7 < V_{DDx} < 3.6 \text{ V}$	-	-	$0.4 \times V_{DDx} - 0.27$	V
		$1.71 < V_{DDx} < 1.89 \text{ V}$	-	-	$0.36 \times V_{DDx}$	V
V _{IH} ⁽²⁾	I/O input high voltage	$2.7 < V_{DDx} < 3.6 \text{ V}$	$0.52 \times V_{DDx} - 0.11$	-	-	V
		$1.71 < V_{DDx} < 1.89 \text{ V}$	$0.62 \times V_{DDx}$	-	-	V
VHYS	I/O input hysteresis	$2.7 < V_{DDx} < 3.6 \text{ V}$	-	0.44	-	V
		$1.71 < V_{DDx} < 1.89 \text{ V}$	-	0.44	-	V
I _{leak}	TT_x input leakage		-	50	10000	nA
I _{VDDx}	Static current consumption on V _{DDx}		-	40	2000	nA
I _{VDDA18AON}	Static current consumption on V _{DDA18AON}		-	2	80	nA
I _{VDDCORE}	Static current consumption on V _{DDCORE}		-	1	180	nA
R _{PU}	Weak pull-up equivalent resistor ⁽³⁾	$2.7 < V_{DDx} < 3.6 \text{ V}$	30	40	50	kΩ
		$1.71 < V_{DDx} < 1.89 \text{ V}$	30	40	50	kΩ

Symbol	Parameter	Condition	Min	Typ	Max	Unit
R _{PD}	Weak pull-down equivalent resistor ⁽³⁾	2.7 < V _{DDx} < 3.6 V	30	40	50	kΩ
		1.71 < V _{DDx} < 1.89 V	30	40	50	kΩ
C _{IO}	I/O pin capacitance	-	-	5	-	pF

1. *Guaranteed by testing.*
2. *Specified by design, not tested in production.*
3. *The pull-up and pull-down resistors are designed with a true resistance in series with a switchable PMOS/NMOS. This PMOS/NMOS contribution to the series resistance is minimal (~10% order).*

All I/Os are CMOS and TTL compliant (no software configuration required). Their characteristics cover more than the strict CMOS-technology or TTL parameters. The coverage of these requirements for TT I/Os is shown in Figure 20 .

Figure 20. V_{IL}/V_{IH} for TT I/Os



6.3.16.1 Output driving current

The GPIOs (general purpose input/outputs) can sink or source up to ±20 mA (depending on speed setup, supply voltage range and temperature).

In the user application, I/O drive current must be limited to respect the absolute maximum rating specified in Section 6.2 , in particular:

- The sum of the currents sourced by all the I/Os on V_{DD}, plus the maximum Run mode consumption of the MCU sourced on V_{DD}, cannot exceed the absolute maximum rating ΣI_{VDD} (see Table 15).
- The sum of the currents sunk by all the I/Os on V_{SS} plus the maximum Run mode consumption of the MCU sunk on V_{SS} cannot exceed the absolute maximum rating ΣI_{VSS} (see Table 15).
- The sum of the currents sourced by PC13, PI8, PZ0, PZ1, PZ2, PZ3, PZ4, PZ5, PZ6 must be less than 6.5 mA.

6.3.16.2 Output voltage levels

Unless otherwise specified, the parameters given in Table 62 are derived from tests performed under ambient temperature and supply voltage conditions summarized in Table 17. General operating conditions . All I/Os are CMOS and TTL compliant.

Table 62. Output voltage characteristics for all I/Os

Evaluated by characterization, not tested in production unless otherwise specified.

Symbol	Parameter	Conditions ^{(1) (2) (3) (4)(5)}	Min	Max	Unit
V _{OL}	Output low level voltage (3.3 V range, 2.7 < V _{DDx} < 3.6 V)	I _{IO} = 6.5 mA, Speed = 0b00	-	0.4	V
		I _{IO} = 10 mA, Speed = 0b01	-	0.4	
		I _{IO} = 13 mA, Speed = 0b10	-	0.4	
		I _{IO} = 20 mA, Speed = 0b11	-	0.4	
V _{OH}	Output high level voltage (3.3 V range, 2.7 < V _{DDx} < 3.6 V)	I _{IO} = 6.5 mA, Speed = 0b00	V _{DDx} - 0.4	-	V
		I _{IO} = 10 mA, Speed = 0b01	V _{DDx} - 0.4	-	V
		I _{IO} = 13 mA, Speed = 0b10	V _{DDx} - 0.4	-	V
		I _{IO} = 20 mA, Speed = 0b11	V _{DDx} - 0.4	-	V
V _{OL}	Output low level voltage (1.8 V range, 1.71 < V _{DDx} < 1.89 V)	I _{IO} = 5.5 mA, Speed = 0b00	-	0.4	V
		I _{IO} = 8 mA, Speed = 0b01	-	0.4	V
		I _{IO} = 11 mA, Speed = 0b10	-	0.4	V
		I _{IO} = 16 mA, Speed = 0b11	-	0.4	V
V _{OH}	Output high level voltage (1.8 V range, 1.71 < V _{DDx} < 1.89 V)	I _{IO} = 5.5 mA, Speed = 0b00	V _{DDx} - 0.4	-	V
		I _{IO} = 8 mA, Speed = 0b01	V _{DDx} - 0.4	-	V
		I _{IO} = 11 mA, Speed = 0b10	V _{DDx} - 0.4	-	V
		I _{IO} = 16 mA, Speed = 0b11	V _{DDx} - 0.4	-	V

 1. 110 < T_J < 120: 4 mA.

 2. 90 < T_J < 110: 10 mA.

 3. T_J < 90: 20 mA.

4. Maximum current depends on temperature.

5. Speed of PC13, PI8, PZ0, PZ1, PZ2, PZ3, PZ4, PZ5, PZ6 must be kept at 0b00. The sum of the currents sourced by these I/Os must be less than 6.5 mA.

6.3.16.3 Output buffer timing characteristics

Table 63. Output timing characteristics (V_{DD} = 3.0 - 3.6 V or V_{DDIOx} = 2.7 - 3.6 V, V_{DDIOxVRSEL} = 0)

Except PC13, PI8, PZ0, PZ1, PZ2, PZ3, PZ4, PZ5, PZ6.

Evaluated by characterization, not tested in production unless otherwise specified.

Speed	Symbol	Parameter	Conditions	Min	Max	Unit
0b00	F _{max} ⁽¹⁾	Maximum frequency	C = 50 pF	-	30	MHz
			C = 40 pF	-	35	
			C = 30 pF	-	45	
			C = 20 pF	-	67	
			C = 10 pF	-	110	
	Tr/Tf ⁽²⁾	Output high to low level fall time and output low to high level rise time	C = 50 pF	-	11.7	ns
			C = 40 pF	-	9.5	
			C = 30 pF	-	7.3	
			C = 20 pF	-	5.2	
			C = 10 pF	-	3	
0b01	F _{max} ⁽¹⁾	Maximum frequency	C = 50 pF	-	45	MHz

Speed	Symbol	Parameter	Conditions	Min	Max	Unit
0b01	Fmax ⁽¹⁾	Maximum frequency	C = 40 pF	-	55	MHz
			C = 30 pF	-	70	
			C = 20 pF	-	100	
			C = 10 pF	-	166	
	Tr/Tf ⁽²⁾	Output high to low level fall time and output low to high level rise time	C = 50 pF	-	8.1	ns
			C = 40 pF	-	6.7	
			C = 30 pF	-	5.2	
			C = 20 pF	-	3.6	
0b10 ⁽³⁾	Fmax ⁽¹⁾	Maximum frequency	C = 50 pF	-	60	MHz
			C = 40 pF	-	75	
			C = 30 pF	-	100	
			C = 20 pF	-	133	
	Tr/Tf ⁽²⁾	Output high to low level fall time and output low to high level rise time	C = 50 pF	-	6.3	ns
			C = 40 pF	-	5.1	
			C = 30 pF	-	4	
			C = 20 pF	-	2.9	
0b11 ⁽³⁾	Fmax ⁽¹⁾	Maximum frequency	C = 50 pF	-	80	MHz
			C = 40 pF	-	100	
			C = 30 pF	-	120	
			C = 20 pF	-	166	
	Tr/Tf ⁽²⁾	Output high to low level fall time and output low to high level rise time	C = 50 pF	-	4.4	ns
			C = 40 pF	-	3.7	
			C = 30 pF	-	2.9	
			C = 20 pF	-	2.2	
			C = 10 pF	-	1.5	

1. The maximum frequency is defined with the following conditions: $(Tr + Tf) \leq 2/3 T$ and $Skew \leq 1/20 T$ and $45\% < Duty\ cycle < 55\%$.
2. The fall and rise time are defined respectively between 90% and 10%, and between 10% and 90% of the output waveform.
3. IO compensation enabled.

Table 64. Output timing characteristics ($V_{DD}/V_{DDIOx} = 1.71 - 1.89 V$, $V_{DDIOxVRSEL} = 1$)

Except PC13, PI8, PZ0, PZ1, PZ2, PZ3, PZ4, PZ5, PZ6.

Evaluated by characterization, not tested in production unless otherwise specified.

Speed	Symbol	Parameter	Conditions	Min	Max	Unit
0b00	Fmax ⁽¹⁾	Maximum frequency	C = 50 pF	-	30	MHz
			C = 40 pF	-	35	
			C = 30 pF	-	45	
			C = 20 pF	-	67	
			C = 10 pF	-	110	

Speed	Symbol	Parameter	Conditions	Min	Max	Unit
0b00	Tr/Tf ⁽²⁾	Output high to low level fall time and output low to high level rise time	C = 50 pF	-	11	ns
			C = 40 pF	-	9	
			C = 30 pF	-	7	
			C = 20 pF	-	5	
			C = 10 pF	-	3	
0b01	Fmax ⁽¹⁾	Maximum frequency	C = 50 pF	-	45	MHz
			C = 40 pF	-	55	
			C = 30 pF	-	70	
			C = 20 pF	-	100	
	Tr/Tf ⁽²⁾	Output high to low level fall time and output low to high level rise time	C = 50 pF	-	7.4	ns
			C = 40 pF	-	6.1	
			C = 30 pF	-	4.7	
			C = 20 pF	-	3.4	
0b10 ⁽³⁾	Fmax ⁽¹⁾	Maximum frequency	C = 50 pF	-	60	MHz
			C = 40 pF	-	75	
			C = 30 pF	-	100	
			C = 20 pF	-	133	
			C = 10 pF	-	200	
	Tr/Tf ⁽²⁾	Output high to low level fall time and output low to high level rise time	C = 50 pF	-	5.7	ns
			C = 40 pF	-	4.7	
			C = 30 pF	-	3.7	
			C = 20 pF	-	2.7	
0b11 ⁽³⁾	Fmax ⁽¹⁾	Maximum frequency	C = 50 pF	-	80	MHz
			C = 40 pF	-	100	
			C = 30 pF	-	120	
			C = 20 pF	-	166	
			C = 10 pF	-	250	
	Tr/Tf ⁽²⁾	Output high to low level fall time and output low to high level rise time	C = 50 pF	-	4.1	ns
			C = 40 pF	-	3.4	
			C = 30 pF	-	2.7	
			C = 20 pF	-	2	
			C = 10 pF	-	1.3	

1. The maximum frequency is defined with the following conditions: $(Tr + Tf) \leq 2/3 T$ and $Skew \leq 1/20 T$ and $45\% < Duty\ cycle < 55\%$.
2. The fall and rise time are defined respectively between 90% and 10%, and between 10% and 90% of the output waveform.
3. IO compensation enabled.

Table 65. Output timing characteristics ($V_{DD}/V_{DDIOx} = 1.71 - 1.89 V$, $V_{DDIOxVRSEL} = 0$ degraded mode)

Except PC13, PI8, PZ0, PZ1, PZ2, PZ3, PZ4, PZ5, PZ6.



Evaluated by characterization, not tested in production unless otherwise specified.

Speed	Symbol	Parameter	Conditions	Min	Max	Unit
0b00	Fmax ⁽¹⁾	Maximum frequency	C = 50 pF	-	10	MHz
			C = 40 pF	-	15	
			C = 30 pF	-	20	
			C = 20 pF	-	33	
			C = 10 pF	-	45	
	Tr/Tf ⁽²⁾	Output high to low level fall time and output low to high level rise time	C = 50 pF	-	30.2	ns
			C = 40 pF	-	24.4	
			C = 30 pF	-	18.7	
			C = 20 pF	-	13	
			C = 10 pF	-	7.4	
0b01	Fmax ⁽¹⁾	Maximum frequency	C = 50 pF	-	15	MHz
			C = 40 pF	-	20	
			C = 30 pF	-	25	
			C = 20 pF	-	37	
			C = 10 pF	-	60	
	Tr/Tf ⁽²⁾	Output high to low level fall time and output low to high level rise time	C = 50 pF	-	21.1	ns
			C = 40 pF	-	17.2	
			C = 30 pF	-	13.3	
			C = 20 pF	-	9.4	
			C = 10 pF	-	5.5	
0b10 ⁽³⁾	Fmax ⁽¹⁾	Maximum frequency	C = 50 pF	-	20	MHz
			C = 40 pF	-	25	
			C = 30 pF	-	30	
			C = 20 pF	-	45	
			C = 10 pF	-	75	
	Tr/Tf ⁽²⁾	Output high to low level fall time and output low to high level rise time	C = 50 pF	-	17	ns
			C = 40 pF	-	13.9	
			C = 30 pF	-	10.8	
			C = 20 pF	-	7.8	
			C = 10 pF	-	4.5	
0b11 ⁽³⁾	Fmax ⁽¹⁾	Maximum frequency	C = 50 pF	-	30	MHz
			C = 40 pF	-	35	
			C = 30 pF	-	45	
			C = 20 pF	-	60	
			C = 10 pF	-	85	
	Tr/Tf ⁽²⁾	Output high to low level fall time and output low to high level rise time	C = 50 pF	-	11.8	ns
			C = 40 pF	-	9.8	
			C = 30 pF	-	7.9	
			C = 20 pF	-	5.8	
			C = 10 pF	-	3.8	

1. The maximum frequency is defined with the following conditions: $(T_r + T_f) \leq 2/3 T$ and $Skew \leq 1/20 T$ and $45\% < Duty\ cycle < 55\%$.
2. The fall and rise time are defined respectively between 90% and 10%, and between 10% and 90% of the output waveform.
3. IO compensation enabled.

Table 66. Output timing characteristics ($V_{SW} = 1.71 - 3.6 V$)

Apply to PC13, PI8, PZ0, PZ1, PZ2, PZ3, PZ4, PZ5, PZ6.

Speed of the IO must be kept at 0b00.

Evaluated by characterization, not tested in production unless otherwise specified.

Symbol	Parameter	Conditions	Min	Max	Unit
F _{max}	Maximum frequency	C = 400 pF	-	0.25	MHz
		C = 30 pF	-	20	
T _r /T _f ⁽¹⁾	Output high to low level fall time and output low to high level rise time	C = 400 pF	-	900	ns
		C = 30 pF	-	18.7	

1. The fall and rise time are defined respectively between 90% and 10%, and between 10% and 90% of the output waveform.

Table 67. GPIO advance config delay characteristics

Evaluated by characterization, not tested in production unless otherwise specified.

Symbol	Parameter	Conditions	Min	Typ	Max	Unit
t _{init}	Initial delay	-	0	-	0.05	ps
t _Δ	Unit Delay	-	-	0.25	-	

6.3.17

NRST pin characteristics

The NRST pin input driver uses CMOS technology. It is connected to a permanent pull-up resistor, R_{PU} (see Table 61. I/O static characteristics).

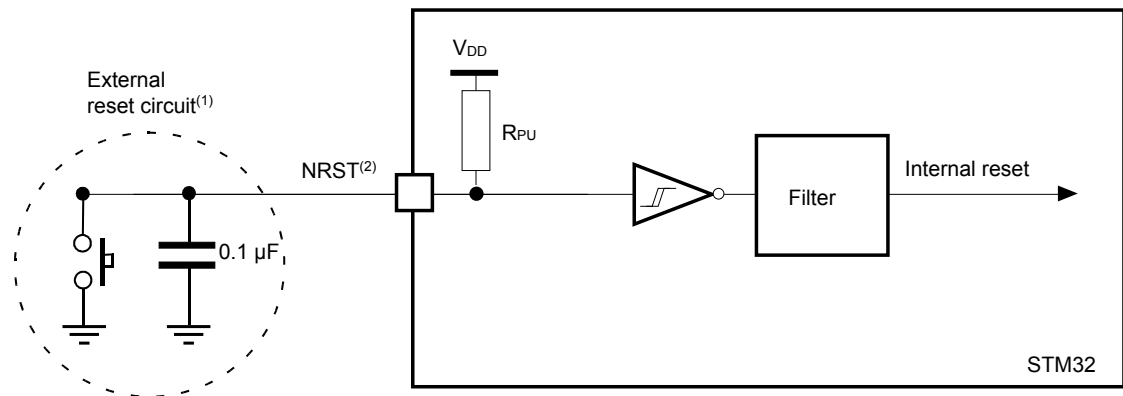
Unless otherwise specified, the parameters given in Table 68 are derived from tests performed under the ambient temperature and supply voltage conditions summarized in Table 17. General operating conditions .

Table 68. NRST pin characteristics

Evaluated by characterization, not tested in production unless otherwise specified.

Symbol	Parameter	Conditions	Min	Typ	Max	Unit
RPU ⁽¹⁾	Weak pull-up equivalent resistor	-	30	40	50	kΩ
tGEN	NRST minimum generated output pulse	-	17.5	-	-	μs
TFILT	NRST input filtered pulse	-	-	-	50	ns
TNFILT	NRST input not filtered pulse	-	150	-	-	ns

1. The pull-up is designed with a true resistance in series with a switchable PMOS. This PMOS contribution to the series resistance must be minimum (~10% order).

Figure 21. Recommended NRST pin protection


DT14132V1

1. The reset network protects the device against parasitic resets.
2. The user must ensure that the level on the NRST pin can go below the $V_{IL(NRST)}$ max level specified in Table 68 . Otherwise, the reset is not taken into account by the device.

6.3.18 DDR IOs characteristics

Refer to JEDEC standards for more details and characteristics

- DDR3L: JESD79-3F with addendum JESD79-3-1A
- DDR4: JESD79-4D
- LPDDR4: JESD209-4D

6.3.19 FMC characteristics

Unless otherwise specified, the parameters given in Table 69 to Table 82. NAND flash write timings for the FMC interface are derived from tests performed under the ambient temperature and V_{DD} supply voltage conditions summarized in Table 17. General operating conditions , with the following configuration:

- Output speed is set to OSPEEDRy[1:0] = 11
- Measurement points are done at CMOS levels: $0.5 \times V_{DD}$

Refer to Section 6.3.16: I/O port characteristics for more details on the input/output characteristics.

6.3.19.1 Asynchronous waveforms and timings

Figure 22 through Figure 25 represent asynchronous waveforms and Table 69 through Table 76 provide the corresponding timings. The results shown in these tables are obtained with the following FMC configuration:

- AddressSetupTime = 0x1
- AddressHoldTime = 0x1
- DataSetupTime = 0x1 (except for asynchronous NWAIT mode, DataSetupTime = 0x5)
- DataHoldTime = 0x1 ($1 \times T_{fmc_ker_ck}$ for read operations and $2 \times T_{fmc_ker_ck}$ for write operations)
- ByteLaneSetup = 0x1
- BusTurnAroundDuration = 0x0
- Capacitive load $C_L = 30$ pF

In all the timing tables, the $T_{fmc_ker_ck}$ is the fmc_ker_ck clock period.

Table 69. Asynchronous non-multiplexed SRAM/PSRAM/NOR read timings

Evaluated by characterization, not tested in production unless otherwise specified.

Symbol	Parameter	Min	Typ	Max	Unit
$t_{w(NE)}$	FMC_NE low time	$3T_{fmc_ker_ck} - 1$	-	$3T_{fmc_ker_ck} + 0.5$	ns
$t_{v(NOE_NE)}$	FMC_NEx low to FMC_NOE low	0	-	1	

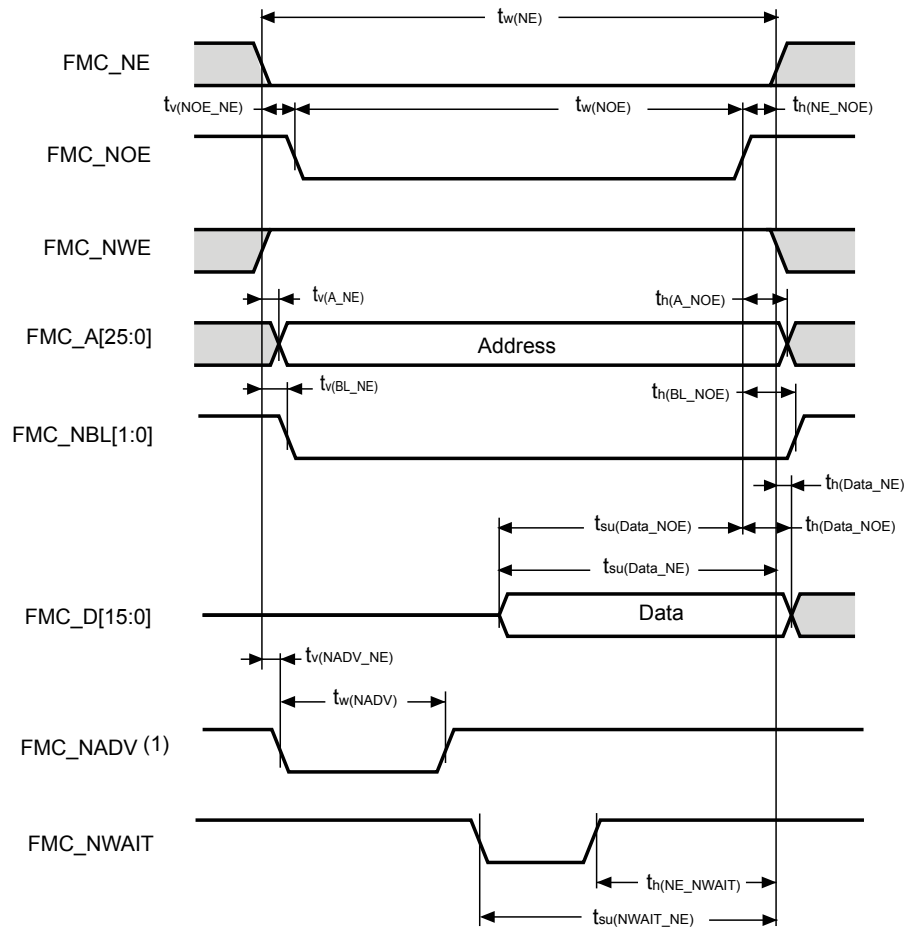
Symbol	Parameter	Min	Typ	Max	Unit
$t_{w(NOE)}$	FMC_NOE low time	$2T_{fmc_ker_ck} - 1$	-	$2T_{fmc_ker_ck} + 1$	ns
$t_{h(NE_NOE)}$	FMC_NOE high to FMC_NE high hold time	$T_{fmc_ker_ck} - 0.5$	-	-	
$t_{v(A_NE)}$	FMC_NEx low to FMC_A valid	-	-	1	
$t_{h(A_NOE)}$	Address hold time after FMC_NOE high	Address held until next read operation			
$t_{su(Data_NE)}$	Data to FMC_NEx high setup time	$2T_{fmc_ker_ck} + 14$	-	-	
$t_{su(Data_NOE)}$	Data to FMC_NOEx high setup time	15	-	-	
$t_{h(Data_NOE)}$	Data hold time after FMC_NOE high	0	-	-	
$t_{h(Data_NE)}$	Data hold time after FMC_NEx high	0	-	-	
$t_{v(NADV_NE)}$	FMC_NEx low to FMC_NADV low	-	-	0.5	
$t_{w(NADV)}$	FMC_NADV low time	-	-	$T_{fmc_ker_ck} + 0.5$	

Table 70. Asynchronous non-multiplexed SRAM/PSRAM/NOR read - NWAIT timings

Evaluated by characterization, not tested in production unless otherwise specified.

NWAIT pulse width is equal to 1 clock cycle.

Symbol	Parameter	Min	Typ	Max	Unit
$t_{w(NE)}$	FMC_NE low time	$8T_{fmc_ker_ck} - 0.5$	-	$8T_{fmc_ker_ck} + 0.5$	ns
$t_{w(NOE)}$	FMC_NWE low time	$7T_{fmc_ker_ck} - 0.5$	-	$7T_{fmc_ker_ck} + 0.5$	
$t_{w(NWAIT)}$	FMC_NWAIT low time	$T_{fmc_ker_ck}$	-	-	
$t_{su(NWAIT_NE)}$	FMC_NWAIT valid before FMC_NEx high	$5T_{fmc_ker_ck} + 15$	-	-	
$t_{h(NE_NWAIT)}$	FMC_NEx hold time after FMC_NWAIT invalid	$4T_{fmc_ker_ck} + 13$	-	-	

Figure 22. Asynchronous non-multiplexed SRAM/PSRAM/NOR read waveforms


DT32753V1

1. Mode 2/B, C and D only. In Mode 1, FMC_NADV is not used.

Table 71. Asynchronous non-multiplexed SRAM/PSRAM/NOR write timings

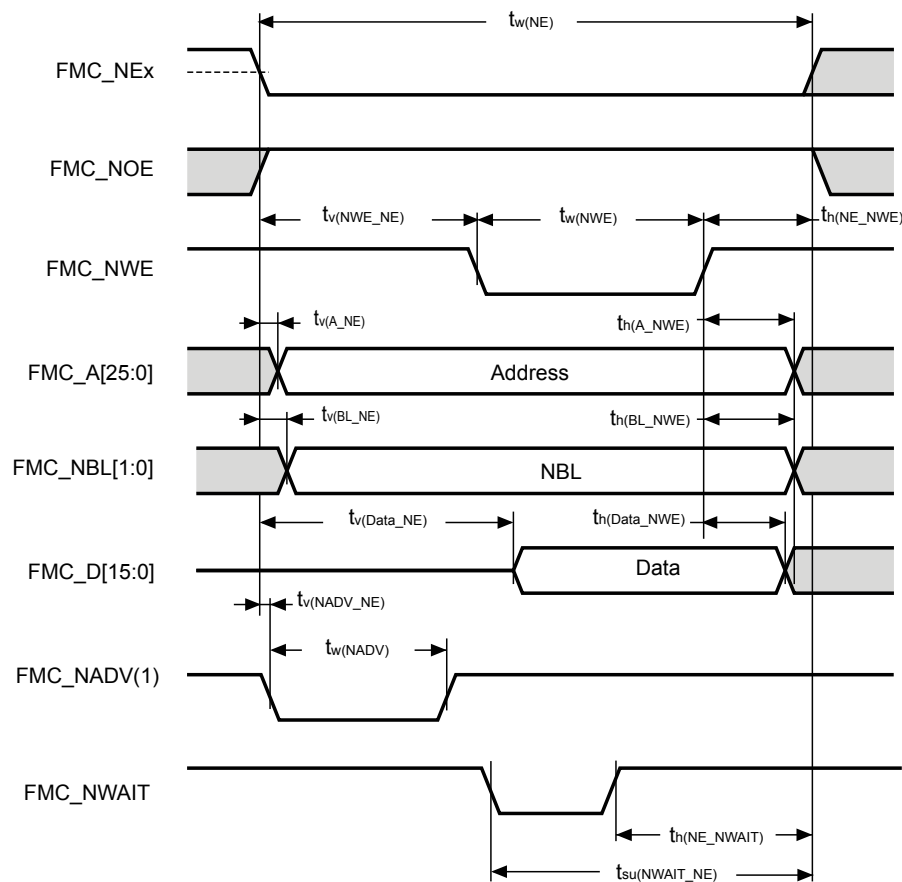
Evaluated by characterization, not tested in production unless otherwise specified.

Symbol	Parameter	Min	Typ	Max	Unit
$t_w(NE)$	FMC_NE low time	$3T_{fmc_ker_ck} - 1$	-	$3T_{fmc_ker_ck} + 1$	ns
$t_v(NWE_NE)$	FMC_NEx low to FMC_NWE low	$T_{fmc_ker_ck} - 1$	-	$T_{fmc_ker_ck} + 0.5$	
$t_w(NWE)$	FMC_NWE low time	$T_{fmc_ker_ck} - 0.5$	-	$T_{fmc_ker_ck} + 0.5$	
$t_h(NE_NWE)$	FMC_NWE high to FMC_NE high hold time	$T_{fmc_ker_ck} - 0.5$	-	-	
$t_v(A_NE)$	FMC_NEx low to FMC_A valid	-	-	0	
$t_h(A_NWE)$	Address hold time after FMC_NWE high	$3T_{fmc_ker_ck} - 1$	-	-	
$t_v(BL_NE)$	FMC_NEx low to FMC_BL valid	-	-	0.5	
$t_h(BL_NWE)$	FMC_BL hold time after FMC_NWE high	$3T_{fmc_ker_ck} + 1$	-	-	
$t_v(Data_NE)$	Data to FMC_NEx low to Data valid	-	-	2	
$t_h(Data_NWE)$	Data hold time after FMC_NWE high	$3T_{fmc_ker_ck} - 1$	-	-	
$t_v(NADV_NE)$	FMC_NEx low to FMC_NADV low	-	-	0.5	
$t_w(NADV)$	FMC_NADV low time	-	-	$T_{fmc_ker_ck} + 1$	

Table 72. Asynchronous non-multiplexed SRAM/PSRAM/NOR write - NWAIT timings

Evaluated by characterization, not tested in production unless otherwise specified.
 NWAIT pulse width is equal to 1 clock cycle.

Symbol	Parameter	Min	Typ	Max	Unit
$t_{w(NE)}$	FMC_NE low time	$8T_{fmc_ker_ck} - 1$	-	$8T_{fmc_ker_ck} + 0.5$	ns
$t_{w(NWE)}$	FMC_NWE low time	$6T_{fmc_ker_ck} - 1$	-	$6T_{fmc_ker_ck} + 0.5$	
$t_{su(NWAIT_NE)}$	FMC_NWAIT valid before FMC_NEx high	$5T_{fmc_ker_ck} + 15$	-	-	
$t_h(NE_NWAIT)$	FMC_NEx hold time after FMC_NWAIT invalid	$4T_{fmc_ker_ck} + 13$	-	-	

Figure 23. Asynchronous non-multiplexed SRAM/PSRAM/NOR write waveforms


DT32754V1

1. Mode 2/B, C and D only. In Mode 1, FMC_NADV is not used.

Table 73. Asynchronous multiplexed PSRAM/NOR read timings

Evaluated by characterization, not tested in production unless otherwise specified.

Symbol	Parameter	Min	Typ	Max	Unit
$t_{w(NE)}$	FMC_NE low time	$4T_{fmc_ker_ck} - 1$	-	$4T_{fmc_ker_ck} + 0.5$	ns
$t_{v(NOE_NE)}$	FMC_NEx low to FMC_NOE low	$2T_{fmc_ker_ck} - 1$	-	$2T_{fmc_ker_ck} + 0.5$	
$t_{w(NOE)}$	FMC_NOE low time	$T_{fmc_ker_ck} - 1$	-	$T_{fmc_ker_ck} + 0.5$	
$t_h(NE_NOE)$	FMC_NOE high to FMC_NE high hold time	$T_{fmc_ker_ck}$	-	-	
$t_{v(A_NE)}$	FMC_NEx low to FMC_A valid	-	-	2	

Symbol	Parameter	Min	Typ	Max	Unit
$t_{v(NADV_NE)}$	FMC_NEx low to FMC_NADV low	0	-	0.5	ns
$t_{w(NADV)}$	FMC_NADV low time	$T_{fmc_ker_ck} - 1$	-	$T_{fmc_ker_ck} + 0.5$	
$t_{h(AD_NADV)}$	FMC_AD(address) valid hold time after FMC_NADV high	$T_{fmc_ker_ck} - 3$	-	-	
$t_{h(A_NOE)}$	Address hold time after FMC_NOE high	Address held until next read operation			
$t_{su(Data_NE)}$	Data to FMC_NEx high setup time	$T_{fmc_ker_ck} + 14$	-	-	
$t_{su(Data_NOE)}$	Data to FMC_NOE high setup time	15	-	-	
$t_{h(Data_NE)}$	Data hold time after FMC_NEx high	0	-	-	
$t_{h(Data_NOE)}$	Data hold time after FMC_NOE high	0	-	-	

Table 74. Asynchronous multiplexed PSRAM/NOR read - NWAIT timings

Evaluated by characterization, not tested in production unless otherwise specified.

Symbol	Parameter	Min	Typ	Max	Unit
$t_{w(NE)}$	FMC_NE low time	$9T_{fmc_ker_ck} - 1$	-	$9T_{fmc_ker_ck} + 0.5$	ns
$t_{w(NOE)}$	FMC_NOE low time	$6T_{fmc_ker_ck} - 1$	-	$6T_{fmc_ker_ck} + 0.5$	
$t_{su(NWAIT_NE)}$	FMC_NWAIT valid before FMC_NEx high	$5T_{fmc_ker_ck} + 15$	-	-	
$t_{h(NE_NWAIT)}$	FMC_NEx hold time after FMC_NWAIT invalid	$4T_{fmc_ker_ck} + 13$	-	-	

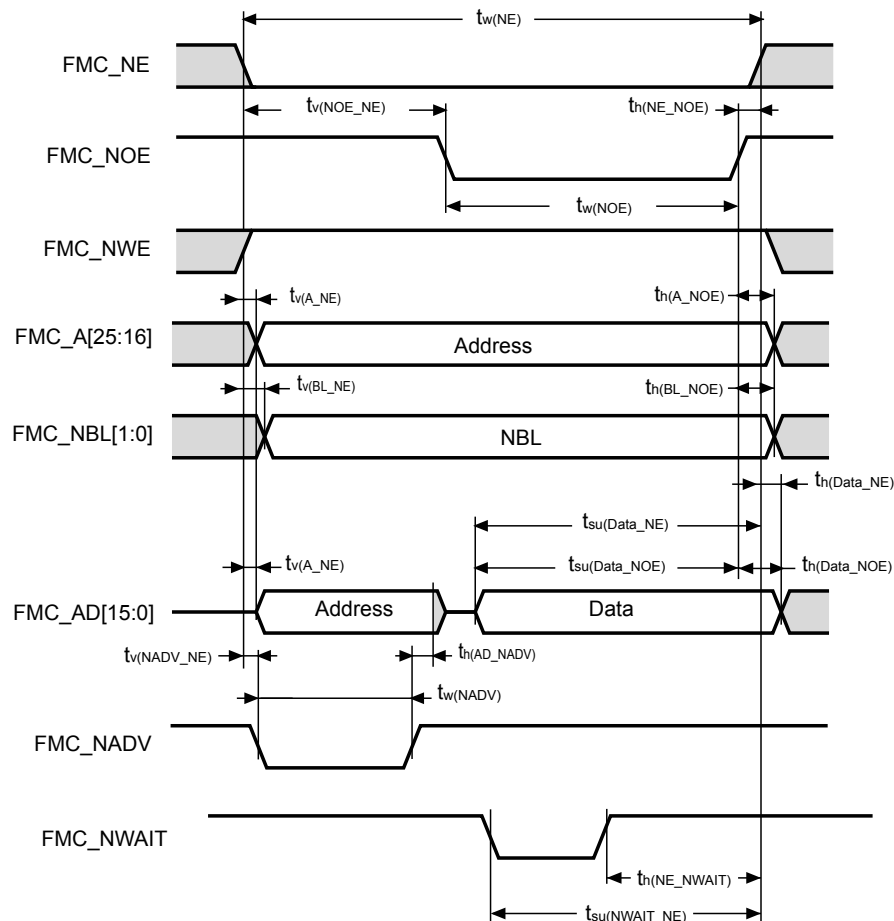
Figure 24. Asynchronous multiplexed PSRAM/NOR read waveforms


Table 75. Asynchronous multiplexed PSRAM/NOR write timings

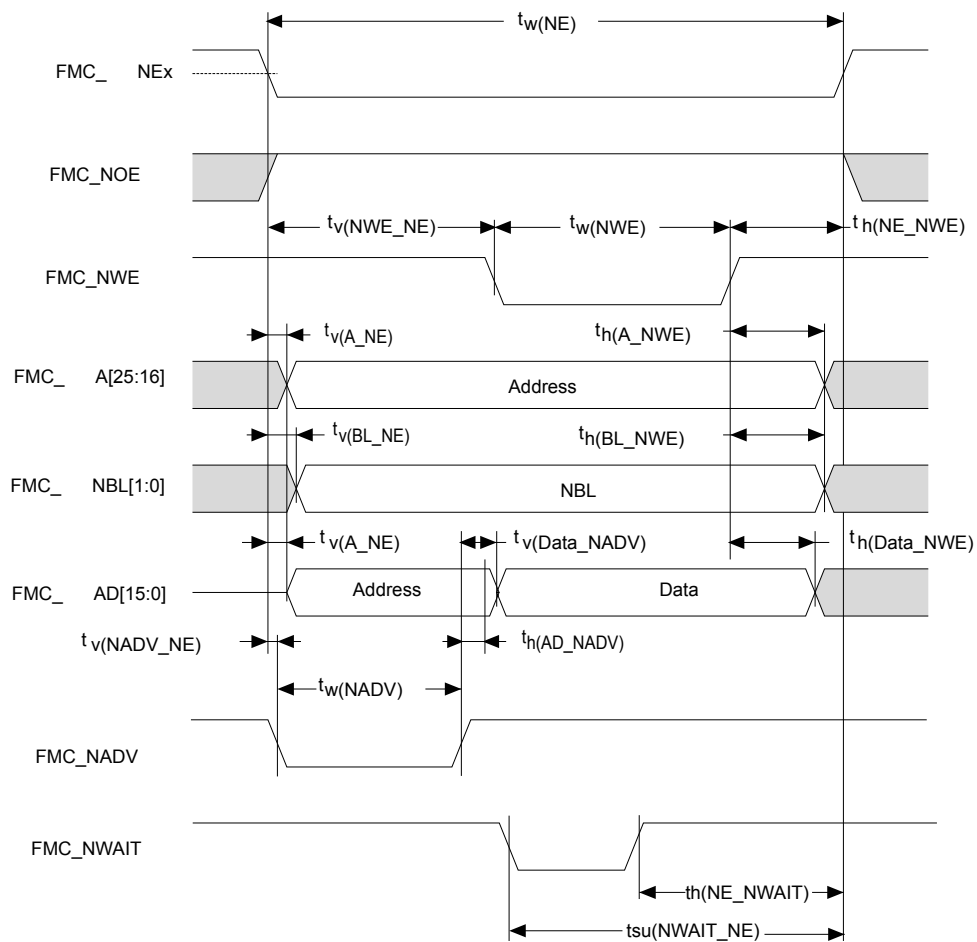
Evaluated by characterization, not tested in production unless otherwise specified.

Symbol	Parameter	Min	Typ	Max	Unit
$t_{w(NE)}$	FMC_NE low time	$4T_{fmc_ker_ck} - 1$	-	$4T_{fmc_ker_ck} + 1$	ns
$t_{v(NWE_NE)}$	FMC_NEx low to FMC_NWE low	$T_{fmc_ker_ck} - 1$	-	$T_{fmc_ker_ck} + 0.5$	
$t_{w(NWE)}$	FMC_NWE low time	$2T_{fmc_ker_ck} - 0.5$	-	$2T_{fmc_ker_ck} + 0.5$	
$t_{h(NE_NWE)}$	FMC_NWE high to FMC_NE high hold time	$T_{fmc_ker_ck} - 0.5$	-	-	
$t_{v(A_NE)}$	FMC_NEx low to FMC_A valid	-	-	1.5	
$t_{v(NADV_NE)}$	FMC_NEx low to FMC_NADV low	0	-	0.5	
$t_{w(NADV)}$	FMC_NADV low time	$T_{fmc_ker_ck} - 1$	-	$T_{fmc_ker_ck} + 1$	
$t_{h(AD_NADV)}$	FMC_AD(address) valid hold time after FMC_NADV high	$T_{fmc_ker_ck} - 1$	-	-	
$t_{h(A_NWE)}$	Address hold time after FMC_NWE high	$3T_{fmc_ker_ck} - 1$	-	-	
$t_{h(BL_NWE)}$	FMC_BL hold time after FMC_NWE high	$3T_{fmc_ker_ck} + 1$	-	-	
$t_{v(BL_NE)}$	FMC_NEx low to FMC_BL valid	-	-	0	
$t_{v(Data_NADV)}$	FMC_NADV high to Data valid	-	-	$T_{fmc_ker_ck} + 1$	
$t_{h(Data_NWE)}$	Data hold time after FMC_NWE high	$3T_{fmc_ker_ck} - 1$	-	-	

Table 76. Asynchronous multiplexed PSRAM/NOR write - NWAIT timings

Evaluated by characterization, not tested in production unless otherwise specified.

Symbol	Parameter	Min	Typ	Max	Unit
$t_{w(NE)}$	FMC_NE low time	$9T_{fmc_ker_ck} - 1$	-	$9T_{fmc_ker_ck} + 0.5$	ns
$t_{w(NWE)}$	FMC_NWE low time	$7T_{fmc_ker_ck} - 1$	-	$7T_{fmc_ker_ck} + 0.5$	
$t_{su(NWAIT_NE)}$	FMC_NWAIT valid before FMC_NEx high	$5T_{fmc_ker_ck} + 15$	-	-	
$t_{h(NE_NWAIT)}$	FMC_NEx hold time after FMC_NWAIT invalid	$6T_{fmc_ker_ck} + 13$	-	-	

Figure 25. Asynchronous multiplexed PSRAM/NOR write waveforms


DT32756V1

6.3.19.2 Synchronous waveforms and timings

Figure 26 through Figure 29 represent synchronous waveforms and Table 77 through Table 80 provide the corresponding timings. The results shown in these tables are obtained with the following FMC configuration:

- BurstAccessMode = FMC_BurstAccessMode_Enable
- MemoryType = FMC_MemoryType_CRAM
- WriteBurst = FMC_WriteBurst_Enable
- CLKDivision = 1
- DataLatency = 1 for NOR flash; DataLatency = 0 for PSRAM

In all the timing tables, the $T_{fmc_ker_ck}$ is the fmc_ker_ck clock period, with the following FMC_CLK maximum values:

- For $3.0\text{ V} < V_{DD} < 3.6\text{ V}$, FMC_CLK = 70 MHz at 20 pF (66 MHz when using FMC_NWAIT)
- For $1.71\text{ V} < V_{DD} < 1.89\text{ V}$, FMC_CLK = 70 MHz at 20 pF (66 MHz when using FMC_NWAIT)

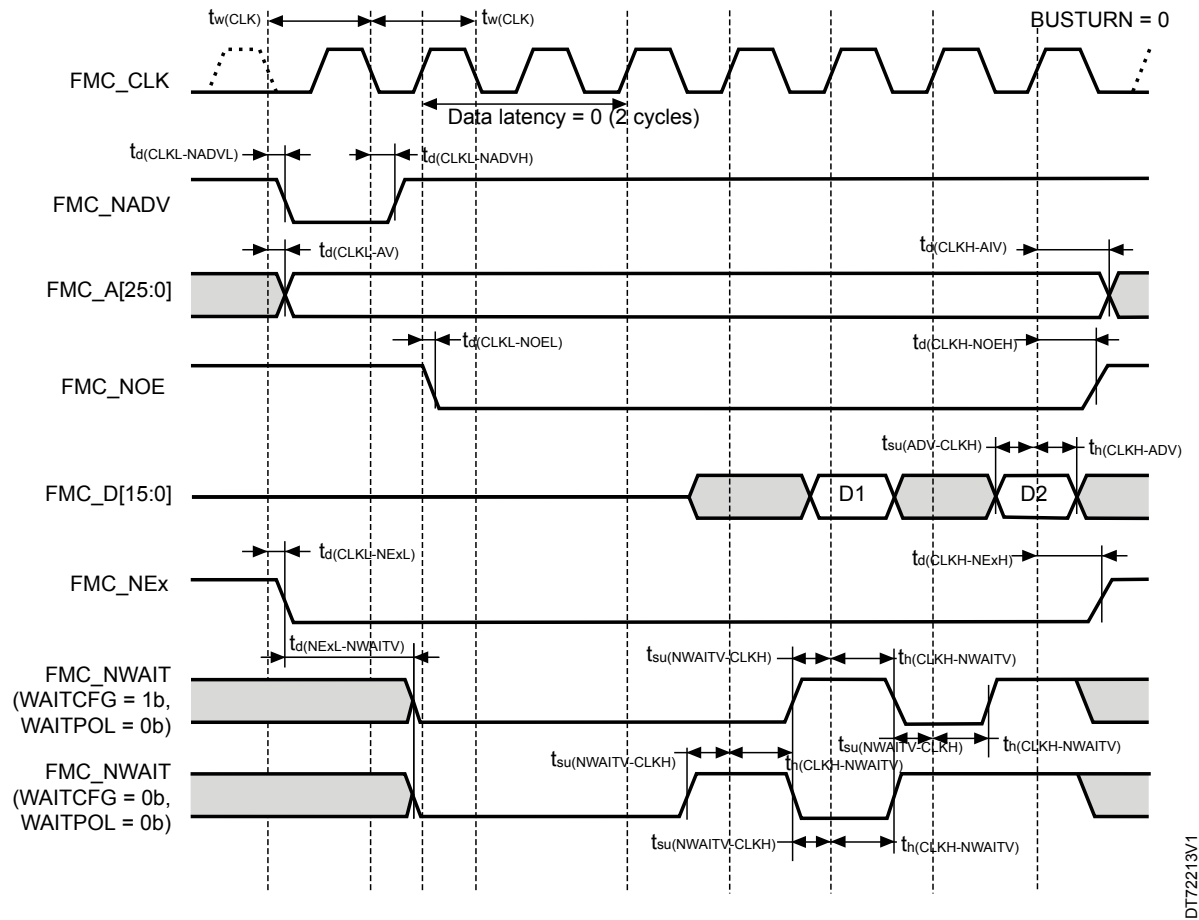
Table 77. Synchronous non-multiplexed NOR/PSRAM read timings

Evaluated by characterization, not tested in production unless otherwise specified.

Symbol	Parameter	Min	Typ	Max	Unit
$t_w(\text{CLK})$	FMC_CLK period	$R \times T_{fmc_ker_ck} - 0.5^{(1)}$	-	-	
$t_{(\text{CLKL-NExL})}$	FMC_CLK low to FMC_NEx low ($x = 0..2$)	-	-	2.5	ns

Symbol	Parameter	Min	Typ	Max	Unit
$t_{d(CLKH-NExH)}$	FMC_CLK high to FMC_NEx high (x = 0..2)	$R \times T_{fmc_ker_ck} / 2 + 1.5^{(1)}$	-	-	ns
$t_{d(CLKL-NADVl)}$	FMC_CLK low to FMC_NADV low	-	-	2.5	
$t_{d(CLKL-NADVh)}$	FMC_CLK low to FMC_NADV high	0.5	-	-	
$t_{d(CLKL-AV)}$	FMC_CLK low to FMC_Ax valid (x = 0..25)	-	-	0	
$t_{d(CLKH-AIV)}$	FMC_CLK high to FMC_Ax invalid (x = 0..25)	$R \times T_{fmc_ker_ck} / 2 + 0.5^{(1)}$	-	-	
$t_{d(CLKL-NOEL)}$	FMC_CLK low to FMC_NOE low	-	-	0	
$t_{d(CLKH-NOEH)}$	FMC_CLK high to FMC_NOE high	$R \times T_{fmc_ker_ck} / 2 + 1^{(1)}$	-	-	
$t_{su(DV-CLKH)}$	FMC_D[15:0] valid data before FMC_CLK high	3.5	-	-	
$t_h(CLKH-DV)$	FMC_D[15:0] valid data after FMC_CLK high	2	-	-	
$t_{(NWAIT-CLKH)}$	FMC_NWAIT valid before FMC_CLK high	4	-	-	
$t_h(CLKH-NWAIT)$	FMC_NWAIT valid after FMC_CLK high	1	-	-	
$t_{d(NExL-NWAITV)}$	FMC_NEx low to FMC_NWAIT valid (x = 0..2)	-	-	$((DATLAT + 2.5) \times t_w(CLK)) - 9$	

1. Clock ratio $R = (FMC_CLK\ period / fmc_ker_ck\ period)$.

Figure 26. Synchronous non-multiplexed NOR/PSRAM read timings


DT72213V1

Table 78. Synchronous non-multiplexed PSRAM write timings

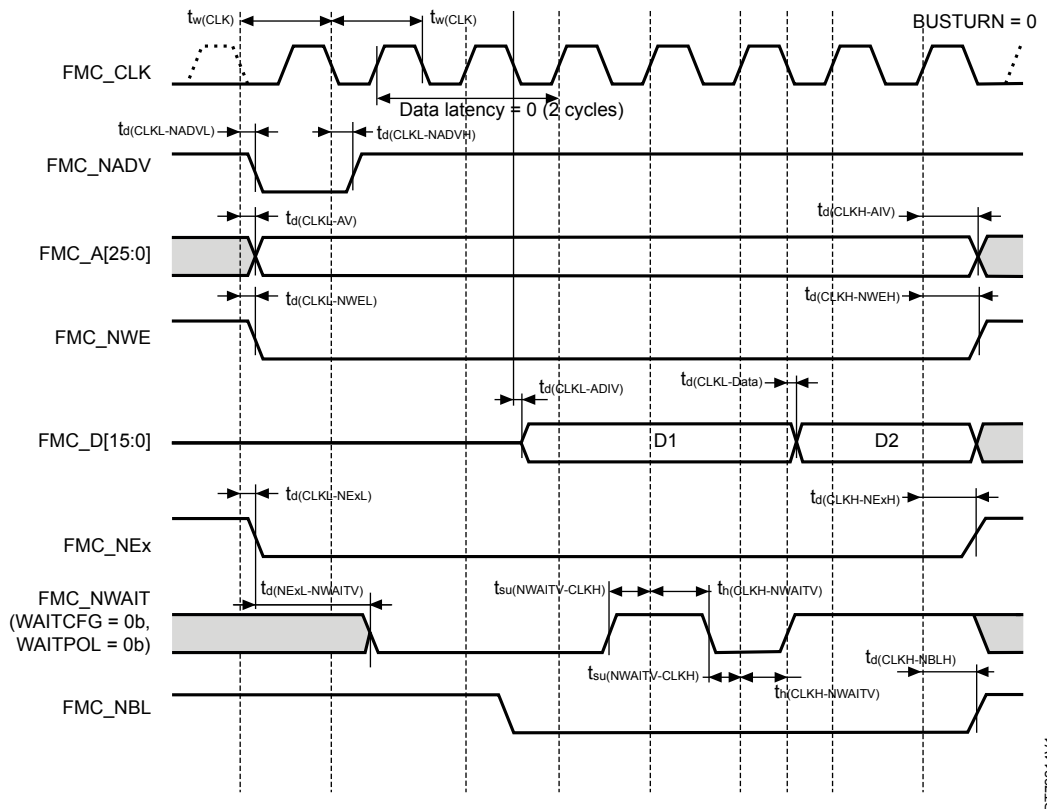
Evaluated by characterization, not tested in production unless otherwise specified.

Symbol	Parameter	Min	Typ	Max	Unit
$t_{(CLK)}$	FMC_CLK period	$R \times T_{fmc_ker_ck} - 0.5^{(1)}$	-	-	ns
$t_{d(CLKL-NExL)}$	FMC_CLK low to FMC_NEx low ($x = 0..2$)	-	-	1.5	
$t_{(CLKH-NExH)}$	FMC_CLK high to FMC_NEx high ($x = 0..2$)	$R \times T_{fmc_ker_ck} / 2 + 0.5^{(1)}$	-	-	
$t_{d(CLKL-NADV)}$	FMC_CLK low to FMC_NADV low	-	-	1.5	
$t_{d(CLKL-NADVH)}$	FMC_CLK low to FMC_NADV high	0.5	-	-	
$t_{d(CLKL-AV)}$	FMC_CLK low to FMC_Ax valid ($x = 0..25$)	-	-	0	
$t_{d(CLKH-AIV)}$	FMC_CLK high to FMC_Ax invalid ($x = 0..25$)	$R \times T_{fmc_ker_ck} / 2 + 0.5^{(1)}$	-	-	
$t_{d(CLKL-NWEL)}$	FMC_CLK low to FMC_NWE low	-	-	1	
$t_{d(CLKH-NWEH)}$	FMC_CLK high to FMC_NWE high	$R \times T_{fmc_ker_ck} / 2^{(1)}$	-	-	
$t_{d(CLKL-Data)}$	FMC_D[15:0] valid data after FMC_CLK low	-	-	3	
$t_{d(CLKL-NBL)}$	FMC_CLK low to FMC_NBL low	-	-	0	
$t_{d(CLKH-NBLH)}$	FMC_CLK high to FMC_NBL high	$R \times T_{fmc_ker_ck} / 2 + 2^{(1)}$	-	-	

Symbol	Parameter	Min	Typ	Max	Unit
$t_{su(NWAIT-CLKH)}$	FMC_NWAIT valid before FMC_CLK high	4	-	-	ns
$t_h(CLKH-NWAIT)$	FMC_NWAIT valid after FMC_CLK high	1	-	-	
$t_d(NEXL-NWAITV)$	FMC_NEX low to FMC_NWAIT valid ($x = 0..2$)	-	-	$((DATLAT + 2.5) \times t_w(CLK)) - 9$	

1. Clock ratio $R = (FMC_CLK \text{ period} / fmc_ker_ck \text{ period})$.

Figure 27. Synchronous non-multiplexed PSRAM write timings



DT72214V1

Table 79. Synchronous multiplexed NOR/PSRAM read timings

Evaluated by characterization, not tested in production unless otherwise specified.

Symbol	Parameter	Min	Typ	Max	Unit
$t_w(CLK)$	FMC_CLK period	$R \times T_{fmc_ker_ck} - 0.5^{(1)}$	-	-	ns
$t_d(CLKL-NEXL)$	FMC_CLK low to FMC_NEX low ($x = 0..2$)	-	-	2.5	
$t_d(CLKH-NEXH)$	FMC_CLK high to FMC_NEX high ($x = 0..2$)	$R \times T_{fmc_ker_ck} / 2 + 1.5^{(1)}$	-	-	
$t_d(CLKL-NADV)$	FMC_CLK low to FMC_NADV low	-	-	2.5	
$t_d(CLKL-NADVH)$	FMC_CLK low to FMC_NADV high	0.5	-	-	
$t_d(CLKL-AV)$	FMC_CLK low to FMC_Ax valid ($x = 16..25$)	-	-	0	
$t_d(CLKH-AIV)$	FMC_CLK high to FMC_Ax invalid ($x = 16..25$)	$R \times T_{fmc_ker_ck} / 2 + 0.5^{(1)}$	-	-	

Symbol	Parameter	Min	Typ	Max	Unit
$t_{d(CLKL-NOEL)}$	FMC_CLK low to FMC_NOE low	-	-	0	ns
$t_{d(CLKH-NOEH)}$	FMC_CLK high to FMC_NOE high	$R \times T_{fmc_ker_ck} / 2 + 1^{(1)}$	-	-	
$t_{d(CLKL-ADV)}$	FMC_CLK low to FMC_AD[15:0] valid	-	-	3	
$t_{d(CLKL-ADIV)}$	FMC_CLK low to FMC_AD[15:0] invalid	0.5	-	-	
$t_{su(ADV-CLKH)}$	FMC_A/D[15:0] valid data before FMC_CLK high	3.5	-	-	
$t_h(CLKH-ADV)$	FMC_A/D[15:0] valid data after FMC_CLK high	2	-	-	
$t_{su(NWAIT-CLKH)}$	FMC_NWAIT valid before FMC_CLK high	4	-	-	
$t_h(CLKH-NWAIT)$	FMC_NWAIT valid after FMC_CLK high	1	-	-	
$t_{d(NEXL-NWAITV)}$	FMC_NEx low to FMC_NWAIT valid (x = 0..2)	-	-	$((DATLAT + 2.5) \times t_{w(CLK)}) - 9$	

1. Clock ratio $R = (FMC_CLK \text{ period} / fmc_ker_ck \text{ period})$.

Figure 28. Synchronous multiplexed NOR/PSRAM read timings

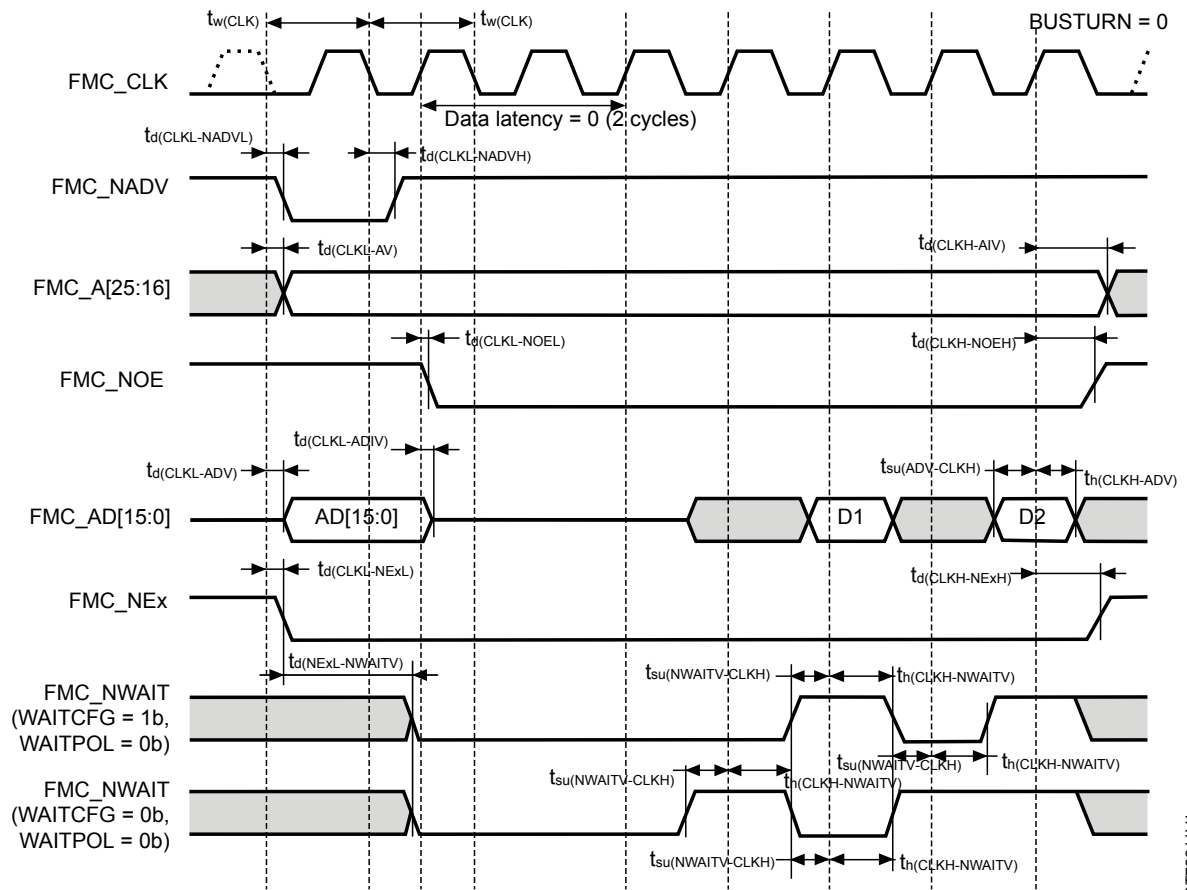
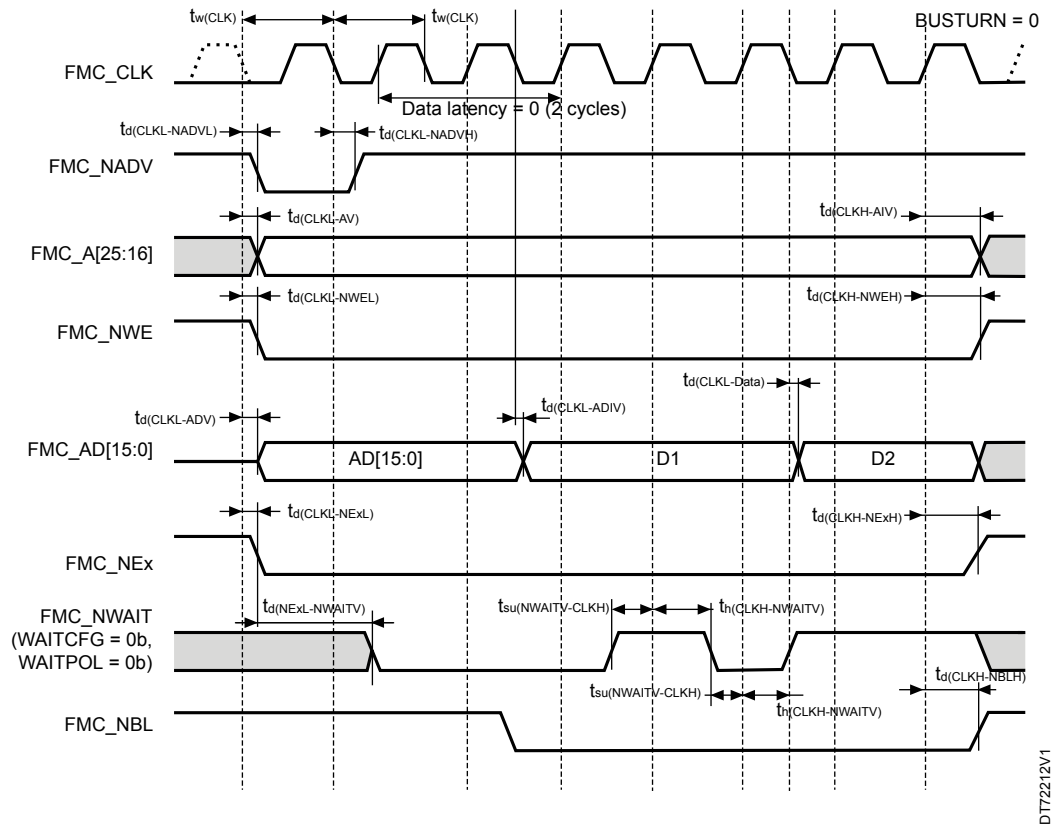


Table 80. Synchronous multiplexed PSRAM write timings

Evaluated by characterization, not tested in production unless otherwise specified.

Symbol	Parameter	Min	Typ	Max	Unit
$t_{w(\text{CLK})}$	FMC_CLK period	$R \times T_{\text{fmc_ker_ck}} - 0.5^{(1)}$	-	-	ns
$t_{d(\text{CLKL-NExL})}$	FMC_CLK low to FMC_NEx low ($x = 0..2$)	-	-	1.5	
$t_{d(\text{CLKH-NExH})}$	FMC_CLK high to FMC_NEx high ($x = 0..2$)	$R \times T_{\text{fmc_ker_ck}} / 2 + 0.5^{(1)}$	-	-	
$t_{d(\text{CLKL-NADV})}$	FMC_CLK low to FMC_NADV low	-	-	2	
$t_{d(\text{CLKL-NADVH})}$	FMC_CLK low to FMC_NADV high	0.5	-	-	
$t_{d(\text{CLKL-AV})}$	FMC_CLK low to FMC_Ax valid ($x = 16..25$)	-	-	0	
$t_{d(\text{CLKH-AIV})}$	FMC_CLK high to FMC_Ax invalid ($x = 16..25$)	$R \times T_{\text{fmc_ker_ck}} / 2 + 0.5^{(1)}$	-	-	
$t_{d(\text{CLKL-NWEL})}$	FMC_CLK low to FMC_NWE low	-	-	1	
$t_{d(\text{CLKH-NWEH})}$	FMC_CLK high to FMC_NWE high	$R \times T_{\text{fmc_ker_ck}} / 2^{(1)}$	-	-	
$t_{d(\text{CLKL-ADV})}$	FMC_CLK low to FMC_AD[15:0] valid	-	-	3	
$t_{d(\text{CLKL-ADIV})}$	FMC_CLK low to FMC_AD[15:0] invalid	0.5	-	-	
$t_{d(\text{CLKL-DATA})}$	FMC_A/D[15:0] valid data after FMC_CLK low	-	-	3	
$t_{d(\text{CLKL-NBLL})}$	FMC_CLK low to FMC_NBL low	0	-	-	
$t_{d(\text{CLKH-NBLH})}$	FMC_CLK high to FMC_NBL high	$R \times T_{\text{fmc_ker_ck}} / 2 + 2^{(1)}$	-	-	
$t_{su(\text{NWAIT-CLKH})}$	FMC_NWAIT valid before FMC_CLK high	4	-	-	
$t_h(\text{CLKH-NWAIT})$	FMC_NWAIT valid after FMC_CLK high	1	-	-	
$t_{d(\text{NExL-NWAITV})}$	FMC_NEx low to FMC_NWAIT valid ($x = 0..2$)	-	-	$((\text{DATLAT} + 2.5) \times t_{w(\text{CLK})}) - 9$	

 1. Clock ratio $R = (\text{FMC_CLK period} / \text{fmc_ker_ck period})$.

Figure 29. Synchronous multiplexed PSRAM write timings


6.3.19.3 NAND controller waveforms and timings

Figure 30 and Figure 31 represent synchronous waveforms, and Table 81 and Table 82 provide the corresponding timings. The results shown in this table are obtained with the following FMC configuration:

- FMC_SetupTime = 0x01
- FMC_WaitSetupTime = 0x03
- FMC_HoldSetupTime = 0x02
- FMC_HiZSetupTime = 0x01
- Bank = FMC_Bank_NAND
- MemoryDataWidth = FMC_MemoryDataWidth_16b
- ECC = FMC_ECC_Enable
- ECCPageSize = FMC_ECCPageSize_512Bytes
- TCLRSetupTime = 0
- TARSetupTime = 0
- $C_L = 30\text{-pF}$

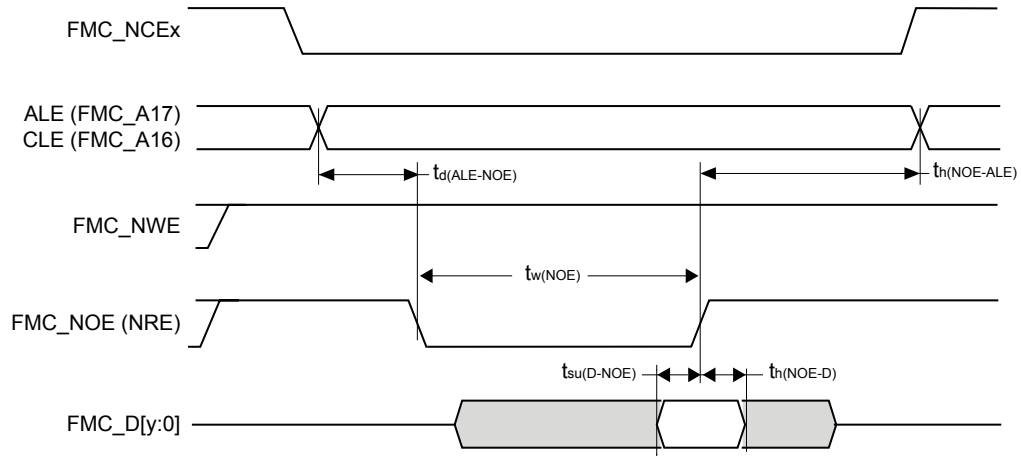
In all timing tables, the $T_{fmc_ker_ck}$ is the fmc_ker_ck clock period.

Table 81. NAND flash read timings

Evaluated by characterization, not tested in production unless otherwise specified.

Symbol	Parameter	Min	Typ	Max	Unit
$t_w(\text{NOE})$	FMC_NOE low width	$4T_{fmc_ker_ck} - 0.5$	-	$4T_{fmc_ker_ck} + 0.5$	ns
$t_{su}(\text{D-NOE})$	FMC_D[15-0] valid data before FMC_NOE high	12.5	-	-	
$t_h(\text{NOE-D})$	FMC_D[15-0] valid data after FMC_NOE high	0	-	-	
$t_d(\text{ALE-NOE})$	FMC_ALE valid before FMC_NOE low	-	-	$2T_{fmc_ker_ck} + 1.5$	

Symbol	Parameter	Min	Typ	Max	Unit
$t_{h(NOE-ALE)}$	FMC_NWE high to FMC_ALE invalid	$3T_{fmc_ker_ck} - 1$	-	-	ns

Figure 30. NAND controller waveforms for read access


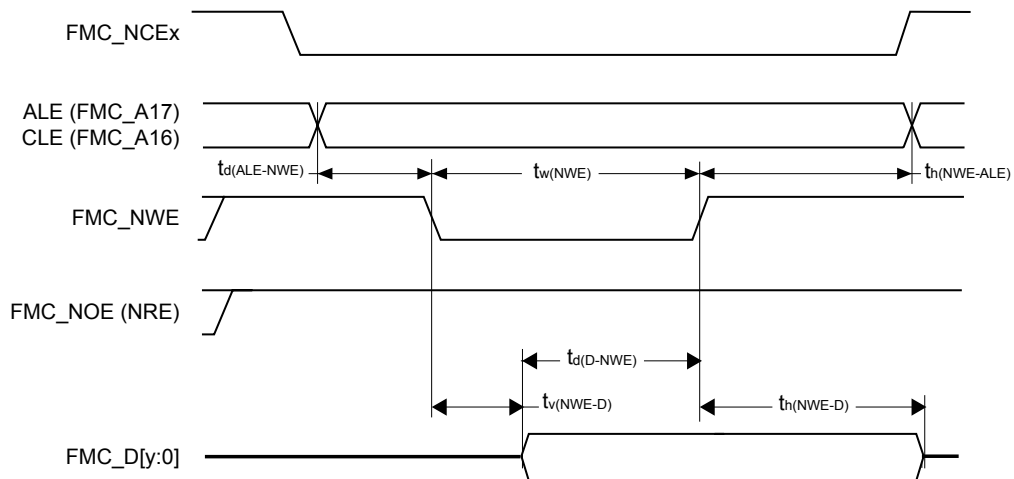
DT73150V1

 1. $y = 7$ or 15 depending on the NAND flash memory interface.

Table 82. NAND flash write timings

Evaluated by characterization, not tested in production unless otherwise specified.

Symbol	Parameter	Min	Typ	Max	Unit
$t_{w(NWE)}$	FMC_NWE low width	$4T_{fmc_ker_ck} - 1$	-	$4T_{fmc_ker_ck} + 1$	ns
$t_{v(NWE-D)}$	FMC_NWE low to FMC_D[15-0] valid	0	-	-	
$t_{h(NWE-D)}$	FMC_NWE high to FMC_D[15-0] invalid	$5T_{fmc_ker_ck} - 1$	-	-	
$t_{d(D-NWE)}$	FMC_D[15-0] valid before FMC_NWE high	$4T_{fmc_ker_ck} - 1$	-	-	
$t_{d(ALE-NWE)}$	FMC_ALE valid before FMC_NWE low	-	-	$2T_{fmc_ker_ck} + 1.5$	
$t_{h(NWE-ALE)}$	FMC_NWE high to FMC_ALE invalid	$3T_{fmc_ker_ck} - 1$	-	-	

Figure 31. NAND controller waveforms for write access


DT73151V2

1. $y = 7$ or 15 depending on the NAND flash memory interface.

6.3.20 OCTOSPI interface characteristics

Unless otherwise specified, the parameters given in Table 83 , Table 84 and Table 85 for OCTOSPI are derived from tests performed under the ambient temperature, frequency and supply voltage conditions summarized in Table 17. General operating conditions , with the following configuration:

- Output speed is set to OSPEEDRy[1:0] = 11
- Measurement points are done at CMOS levels: $0.5 \times V_{DD}$
- IO compensation cell activated
- VDDIOxVRSEL = 1 for $V_{DDIOx} < 2.7$ V

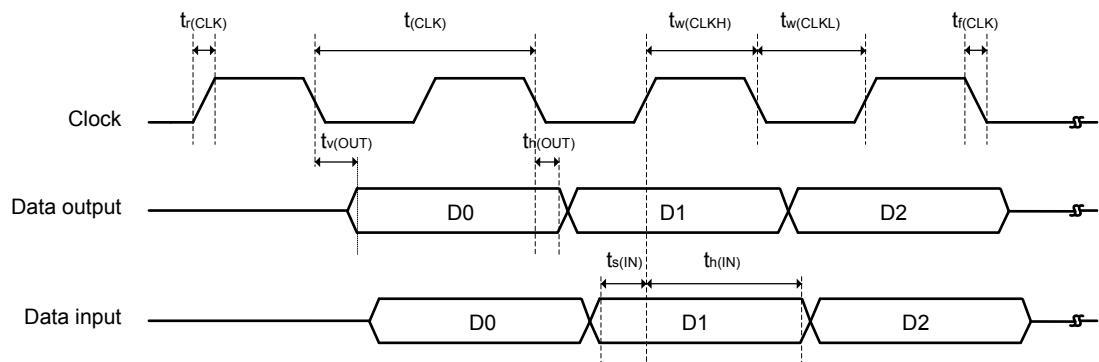
Refer to Section 6.3.16: I/O port characteristics for more details on the input/output alternate function characteristics.

Table 83. OCTOSPI characteristics in SDR mode

Evaluated by characterization, not tested in production unless otherwise specified.

Values in the table applies to octal and quad SPI mode.

Symbol	Parameter	Conditions	Min	Typ	Max	Unit
$F_{(CLK)}$	Clock frequency	$3 < V_{DDIOx} < 3.6$, $C_L = 20$ pF, OCTOSPIM port1	-	-	120	MHz
		$3 < V_{DDIOx} < 3.6$, $C_L = 20$ pF, OCTOSPIM port2	-	-	133	
		$2.7 < V_{DDIOx} < 3.6$, $C_L = 20$ pF, OCTOSPIM port1	-	-	100	
		$2.7 < V_{DDIOx} < 3.6$, $C_L = 20$ pF, OCTOSPIM port2	-	-	110	
		$1.71 < V_{DDIOx} < 1.89$, $C_L = 20$ pF	-	-	133	
$t_{w(CLKH)}$	Clock high and low time - Even division	PRESCALER[7:0] = $n = 0, 1, 3, 5$	$t_{(CLK)} / 2$	-	$t_{(CLK)} / 2 + 1$	ns
$t_{w(CLKL)}$			$t_{(CLK)} / 2 - 1$	-	$t_{(CLK)} / 2$	
$t_{w(CLKH)}$	Clock high and low time - Odd division	PRESCALER[7:0] = $n = 2, 4, 6, 8$	$(n/2) \times t_{(CLK)} / (n+1)$	-	$(n/2) \times t_{(CLK)} / (n+1) + 1$	
$t_{w(CLKL)}$			$(n/2+1) \times t_{(CLK)} / (n+1) - 1$	-	$(n/2+1) \times t_{(CLK)} / (n+1)$	
$t_{s(IN)}$	Data input setup time	-	2.5	-	-	
$t_{h(IN)}$	Data input hold time	-	1.5	-	-	
$t_{v(OUT)}$	Data output valid time	-	-	0.5	1	
$t_{h(OUT)}$	Data output hold time	-	0	-	-	

Figure 32. OCTOSPI timing diagram - SDR mode


DT36878V1

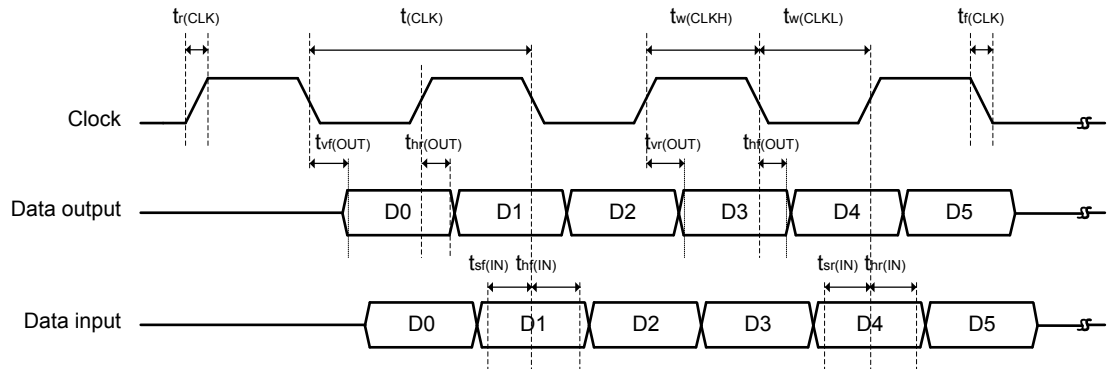
Table 84. OCTOSPI characteristics in DTR mode (without DQS)

Evaluated by characterization, not tested in production unless otherwise specified.

Values in the table applies to octal and quad SPI mode.

Symbol	Parameter	Conditions	Min	Typ	Max	Unit
$F_{(CLK)}$	Clock frequency	$2.7 < V_{DDIOx} < 3.6, C_L = 20 \text{ pF}$	-	-	100	MHz
		$1.71 < V_{DDIOx} < 1.89, C_L = 20 \text{ pF}$	-	-	100	
$t_{w(CLKH)}$	Clock high and low time - Even division	PRESCALER[7:0] = n = 0,1,3,5	$t_{(CLK)} / 2$	-	$t_{(CLK)} / 2 + 1$	ns
$t_{w(CLKL)}$			$t_{(CLK)} / 2 - 1$	-	$t_{(CLK)} / 2$	
$t_{w(CLKH)}$	Clock high and low time - Odd division	PRESCALER[7:0] = n = 2,4,6,8	$(n/2) \times t_{(CLK)} / (n+1)$	-	$(n/2) \times t_{(CLK)} / (n+1) + 1$	
$t_{w(CLKL)}$			$(n/2+1) \times t_{(CLK)} / (n+1) - 1$	-	$(n/2+1) \times t_{(CLK)} / (n+1)$	
$t_{sr(IN)}, t_{sf(IN)}$	Data input setup time	-	2	-	-	
$t_{hr(IN)}, t_{hf(IN)}$	Data input hold time	-	1.5	-	-	
$t_{vr(OUT)}, t_{vf(OUT)}^{(1)}$	Data output valid time	-	-	$1 + t_{(CLK)} / 4$	$1.5 + t_{(CLK)} / 4$	
			-	1	1.5	
$t_{hr(OUT)}, t_{hf(OUT)}^{(1)}$	Data output hold time	-	$t_{(CLK)} / 4 - 0.5$	-	-	
			0	-	-	

1. When PRESCALER = 0 the DLL must be used for TX delay.

Figure 33. OCTOSPI timing diagram - DTR mode


DT36879V1

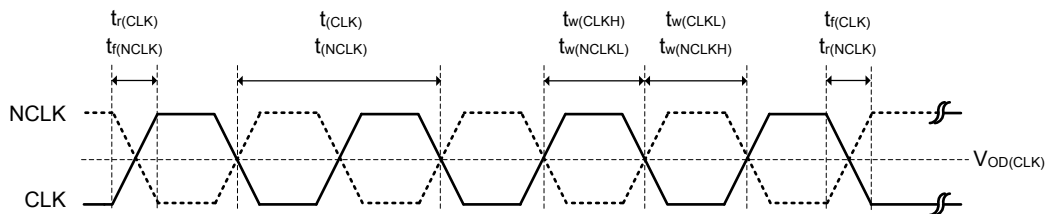
Table 85. OCTOSPI characteristics in DTR mode (with DQS or HyperBus)

Evaluated by characterization, not tested in production unless otherwise specified.

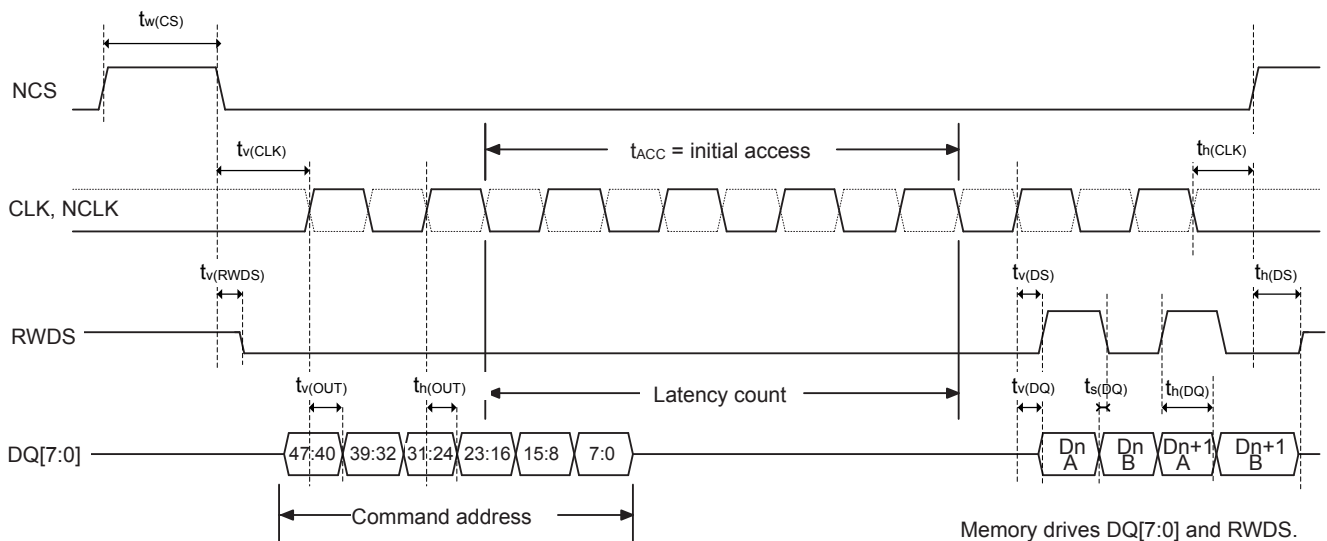
Symbol	Parameter	Conditions	Min	Typ	Max	Unit
$F_{(CLK)}$	Clock frequency	$2.7 < V_{DDIOx} < 3.6, C_L = 20 \text{ pF}$	-	-	133	MHz
		$1.71 < V_{DDIOx} < 1.89, C_L = 20 \text{ pF}$	-	-	133	
$t_{w(CLKH)}$	Clock high and low time - Even division	PRESCALER[7:0] = n = 0, 1, 3, 5	$t_{(CLK)} / 2$	-	$t_{(CLK)} / 2 + 1$	ns
$t_{w(CLKL)}$			$t_{(CLK)} / 2 - 1$	-	$t_{(CLK)} / 2$	
$t_{w(CLKH)}$	Clock high and low time - Odd division	PRESCALER[7:0] = n = 2, 4, 6, 8	$(n/2) \times t_{(CLK)} / (n+1)$	-	$(n/2) \times t_{(CLK)} / (n+1) + 1$	
$t_{w(CLKL)}$			$(n/2+1) \times t_{(CLK)} / (n+1) - 1$	-	$(n/2+1) \times t_{(CLK)} / (n+1)$	
$t_{w(CS)}$	Chip select high time	-	$3 \times t_{(CLK)}$	-	-	
$t_{v(CK)}$	CS to Clock valid time	-	-	-	$t_{(CLK)} + 1$	
$t_{h(CK)}$	Clock to CS high hold time	-	$3.5 \times t_{(CLK)}$	-	-	
$V_{ODr(CK)}$	CK, CK# crossing level on CK rising edge	$V_{DDIOx} = 1.8 \text{ V}$	1157	-	1389	
$V_{ODf(CK)}$	CK, CK# crossing level on CK falling edge	$V_{DDIOx} = 1.8 \text{ V}$	1087	-	1312	
$t_{sr(DQ)}, t_{sr(DQ)}$	Data input setup time	$F_{(CLK)} > 50 \text{ MHz}^{(1)}$	$1.5 - t_{(CLK)} / 4$	-	-	
		$F_{(CLK)} < 50 \text{ MHz}^{(2)}$	-1	-	-	
$t_{hr(DQN)}, t_{hr(DQ)}$	Data input hold time	$F_{(CLK)} > 50 \text{ MHz}^{(1)}$	$1.5 + t_{(CLK)} / 4$	-	-	
		$F_{(CLK)} < 50 \text{ MHz}^{(2)}$	3	-	-	
$t_{v(DS)}$	Data strobe input valid time	-	0	-	-	

Symbol	Parameter	Conditions	Min	Typ	Max	Unit
$t_{h(DS)}$	Data strobe input hold time	-	0	-	-	ns
$t_{v(RWDS)}$	Data strobe output valid time	-	-	-	$3 \times t_{(CLK)}$	
$t_{vr(OUT)}$, $t_{vf(OUT)}^{(3)}$	Data output valid time	-	-	$1 + t_{(CLK)} / 4$	$1.5 + t_{(CLK)} / 4$	
$t_{hr(OUT)}$, $t_{hf(OUT)}^{(3)}$	Data output hold time	-	$t_{(CLK)} / 4 - 0.5$	-	-	
			0	-	-	

1. DLL enabled in lock mode ($SYSCFG_DLYBOSxCR.EN = 1$) with 25% delay ($SYSCFG_DLYBOSxCR.RX_TAP_SEL[5:0] = 0x8$).
2. DLL enabled in bypass mode ($SYSCFG_DLYBOSxCR.BYP_EN = 1$) with typical settings ($SYSCFG_DLYBOSxCR.RX_TAP_SEL[5:0] = 0x2$ and $SYSCFG_DLYBOSxCR.BYP_CMD[4:0] = 0x18$).
3. When $PRESCALER = 0$ the DLL must be used for TX delay.

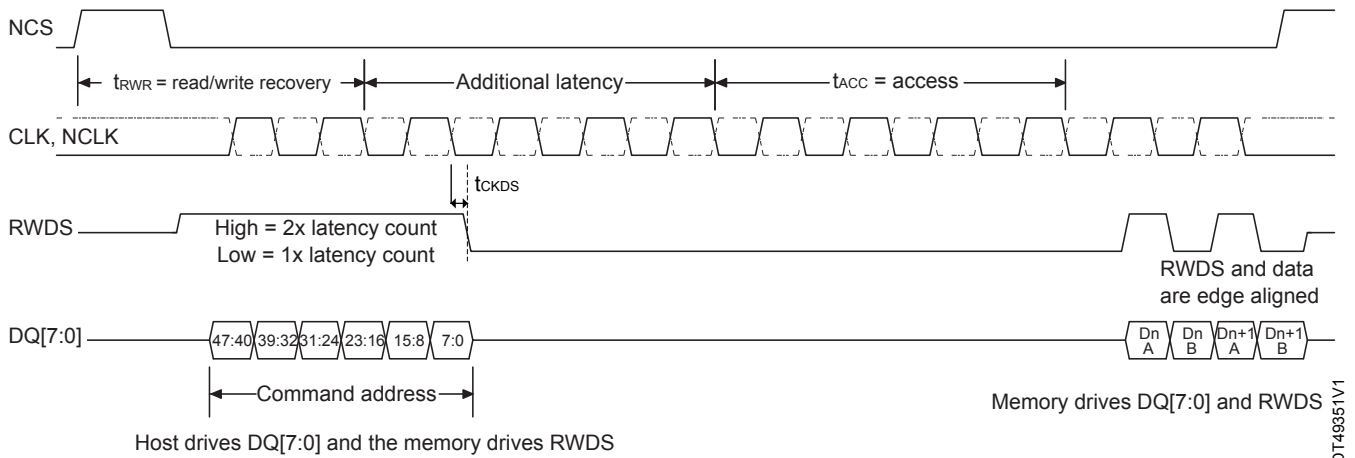
Figure 34. OCTOSPI HyperBus clock


DT47732V1

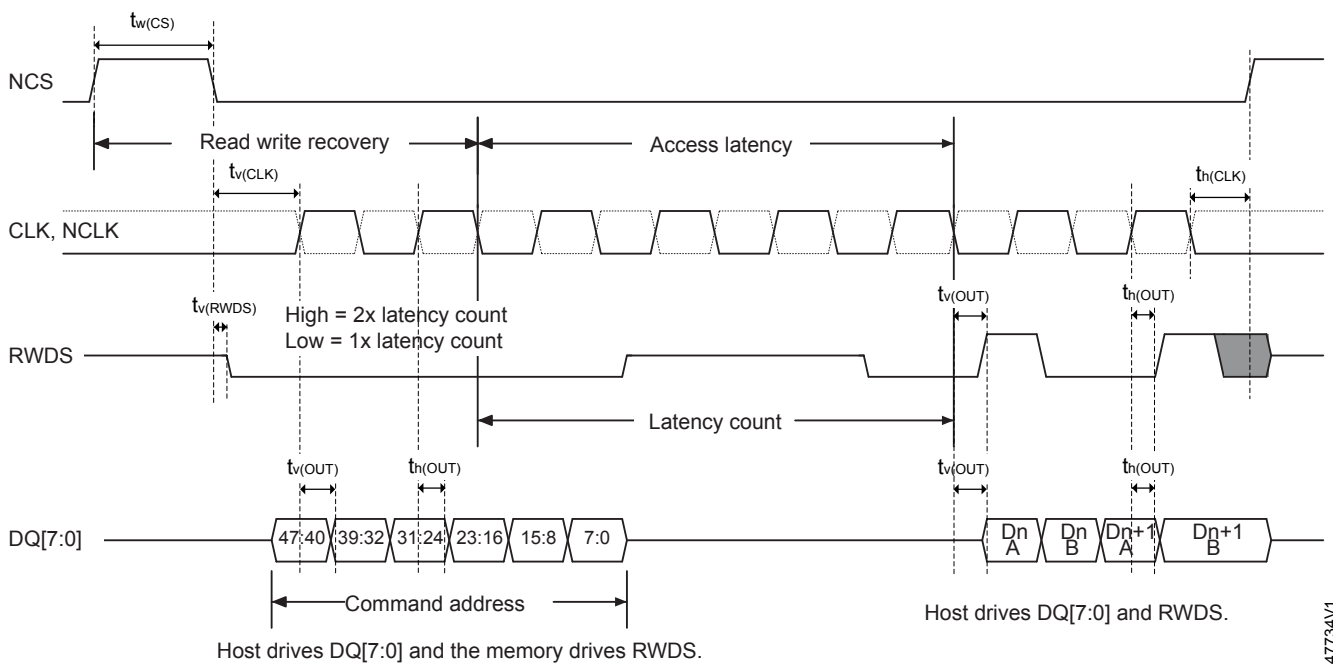
Figure 35. OCTOSPI HyperBus read


Host drives DQ[7:0] and the memory drives RWDS.

DT47733V1

Figure 36. OCTOSPI HyperBus read with double latency


DT49351V1

Figure 37. OCTOSPI HyperBus write


DT47734V1

6.3.21 Delay block (DLYB) characteristics

Unless otherwise specified, the parameters given in [Table 86](#) for the delay block are derived from tests performed under the ambient temperature and V_{DD} supply voltage summarized in [Table 17. General operating conditions](#).

Table 86. DLYB characteristics

Evaluated by characterization, not tested in production unless otherwise specified.

Symbol	Parameter	Conditions	Min	Typ	Max	Unit
t_{init}	Initial delay	Bypass mode	100	150	300	ps
t_{Δ}	Unit delay	Bypass mode	30	31	49	
		Lock mode	-	$T / 32^{(1)}$	-	
			-1	-	+15	%

1. T is the period of the DLL clock.

6.3.22 12-bit ADC characteristics

Unless otherwise specified, the parameters given in Table 87. ADC characteristics are derived from tests performed under the ambient temperature, frequency and V_{DDA} supply voltage conditions summarized in Table 17. General operating conditions.

Table 87. ADC characteristics

Evaluated by characterization, not tested in production unless otherwise specified.

Symbol	Parameter	Conditions	Min	Typ	Max	Unit
f_{ADC}	ADC adc_ker_ck clock frequency (clock after ADC prescaler)	-	0.7	-	70	MHz
f_s	Sampling rate	resolution = 12 bits	0.0467	-	4.666	MSps
		resolution = 10 bits	0.0538	-	5.384	
		resolution = 8 bits	0.07	-	7	
		resolution = 6 bits	0.0875	-	8.75	
$t_c^{(1)}$	Conversion cycle	resolution = 12 bits	-	13.5	-	$1 / f_{ADC}$
		resolution = 10 bits	-	11.5	-	
		resolution = 8 bits	-	8.5	-	
		resolution = 6 bits	-	6.5	-	
f_{TRIG}	External trigger frequency	$f_{ADC} = 70$ MHz, Resolution = 12 bits	-	-	3.888	MHz
			18	-	-	$1 / f_{ADC}$
$V_{AIN}^{(1)}$	Conversion voltage range ⁽²⁾	Single ended	0	-	V_{REF+}	V
		Differential	$-V_{REF+}$	-	V_{REF+}	
$V_{CMIV}^{(1)}$	Common mode input voltage	Differential	-	$V_{REF+} / 2$	-	V
C_{ADC}	Internal sample and hold capacitor	-	-	2.56	-	pF
t_{STAB}	ADC power-up time	DEEPPWD from 1 to 0	-	5	-	μ s
t_{EN}	ADC enable time	ADEN from 0 to 1	-	5	-	$1 / f_{ADC}$
$t_{LATR}^{(1)}$	Trigger conversion latency regular and injected channels without conversion abort	CKMODE = 0	2.5	-	3.5	$1 / f_{ADC}$
		CKMODE = 1	-	3	-	
$t_{LATRINJ}^{(1)}$	Trigger conversion latency regular injected channels aborting a regular conversion	CKMODE = 0	3.5	-	4.5	$1 / f_{ADC}$
		CKMODE = 1	-	4	-	
$t_s^{(1)}$	Sampling time	-	1.5	-	1499.5	$1 / f_{ADC}$
$I_{ADC(VDDA18ADC)}$	ADC supply current on $V_{DDA18ADC}$	$f_s = 4.666$ Msps, resolution = 12 bits	-	315	-	μ A
		$f_s = 5.384$ Msps, resolution = 10 bits	-	330	-	
		Power down, ADEN = 0	-	2.05	-	
		Deep power down, ADEN = 0, DEEPPWD = 1	-	1.65	-	

1. Specified by design, not tested in production.

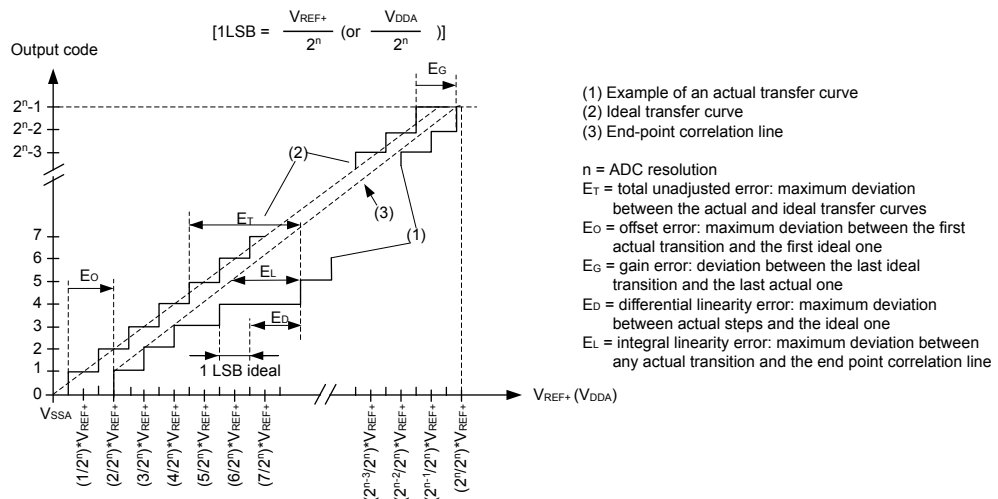
2. All analog inputs must be between V_{SSA} and $V_{DDA18ADC}$. When offset calibration is used, the result of the conversion could be clipped few percent below V_{REF+} . Refer to reference manual for details.

Table 88. ADC accuracy

Evaluated by characterization, not tested in production unless otherwise specified.

Symbol	Parameter	Conditions	Min	Typ	Max	Unit
ET	Total unadjusted error (TUE)	Single ended with dedicated ANA input	-	4.6	40	±LSB
		Differential with dedicated ANA input	-	5.2	22	
		Single ended with general purpose IO (GPIO) input	-	13	24	±LSB
		Differential with general purpose IO (GPIO) input	-	6.3	18	
ED	Differential linearity error (DNL)	Single ended with dedicated ANA input	-	0.9	2	±LSB
		Differential with dedicated ANA input	-	0.8	2	
		Single ended with general purpose IO (GPIO) input	-	0.9	2	±LSB
		Differential with general purpose IO (GPIO) input	-	0.9	2	
EL	Integral linearity error (INL)	Single ended with dedicated ANA input	-	2	6	±LSB
		Differential with dedicated ANA input	-	2	5	
		Single ended with general purpose IO (GPIO) input	-	4	6	±LSB
		Differential with general purpose IO (GPIO) input	-	3	8	
ENOB	Effective number of bits	Single ended with dedicated ANA input	-	9.9	-	Bits
		Differential with dedicated ANA input	-	10.5	-	
		Single ended with general purpose IO (GPIO) input	-	9.35	-	Bits
		Differential with general purpose IO (GPIO) input	-	10.5	-	
SINAD	Signal-to-noise and distortion ratio ⁽¹⁾	Single ended with dedicated ANA input	-	61.5	-	dB
		Differential with dedicated ANA input	-	66	-	
		Single ended with general purpose IO (GPIO) input	-	58	-	dB
		Differential with general purpose IO (GPIO) input	-	64	-	
SNR	Signal-to-noise ratio	Single ended with dedicated ANA input	-	61.5	-	dB
		Differential with dedicated ANA input	-	66.5	-	
		Single ended with general purpose IO (GPIO) input	-	58.5	-	dB
		Differential with general purpose IO (GPIO) input	-	65	-	
THD	Total harmonic distortion	Single ended with dedicated ANA input	-	-76	-	dB
		Differential with dedicated ANA input	-	-79	-	
		Single ended with general purpose IO (GPIO) input	-	-74.5	-	dB
		Differential with general purpose IO (GPIO) input	-	-73.5	-	
EG	Gain error	Versus V_{REF+} value with dedicated ANA input	-1	-	+1	%Full- Scale
		Versus V_{REF+} value with general purpose IO (GPIO) input	-1	-	+1	
EO	Offset error	Without calibration with ANA input	-1	-	+1	%Full- Scale
		After calibration with ANA input	-2	-	+2	LSB
		Without calibration with general purpose IO (GPIO) input	-1	-	+1	%Full- Scale
		After calibration with general purpose IO (GPIO) input	-2	-	+2	LSB

1. Value measured with a -0.5dBFS input signal and then extrapolated to full scale.

Figure 38. ADC accuracy characteristics


DT19880V6

1. Refer to [Table 89](#) for the values of R_{AIN} , R_{ADC} and C_{ADC} .
2. $C_{\text{parasitic}}$ represents the capacitance of the PCB (dependent on soldering and PCB layout quality) plus the pad capacitance (refer to [Table 61. I/O static characteristics](#)). A high $C_{\text{parasitic}}$ value downgrades conversion accuracy. To remedy this, f_{ADC} must be reduced.
3. Refer to [Table 61. I/O static characteristics](#) for value of I_{Kq} .
4. Refer to [Figure 12. Power supply scheme](#).

Table 89. Minimum sampling time versus RAIN

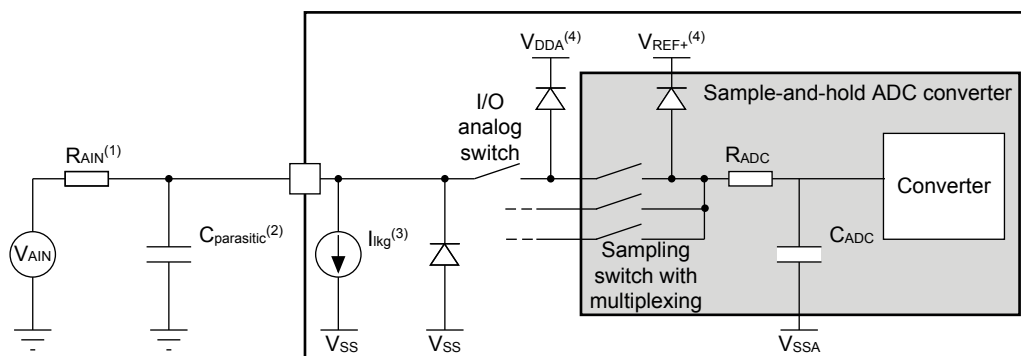
Specified by design, not tested in production.

Symbol	Parameter	Conditions (Resolution / R_{AIN} in ohms)	Min	Typ	Max	Unit	
$t_{\text{s_min}}$	Minimum sampling time	12 bits	47	32	-	-	ns
			68	33	-	-	
			100	34	-	-	
			150	36	-	-	
			220	38	-	-	
			330	42	-	-	
			470	47	-	-	
			680	55	-	-	
$t_{\text{s_min}}$	Minimum sampling time	10 bits	47	23	-	-	ns
			68	24	-	-	
			100	25	-	-	
			150	26	-	-	
			220	28	-	-	
			330	30	-	-	
			470	33	-	-	
			680	38	-	-	
			1000	45	-	-	

Symbol	Parameter	Conditions (Resolution / R_{AIN} in ohms)	Min	Typ	Max	Unit	
t_{s_min}	Minimum sampling time	10 bits	1500	55	-	-	ns
			2200	71	-	-	
			3300	97	-	-	
			4700	133	-	-	
			6800 ⁽¹⁾	238	-	-	
t_{s_min}	Minimum sampling time	8 bits	47	17	-	-	ns
			68	17	-	-	
			100	18	-	-	
			150	19	-	-	
			220	20	-	-	
			330	22	-	-	
			470	25	-	-	
			680	28	-	-	
			1000	34	-	-	
			1500	42	-	-	
			2200	53	-	-	
			3300	70	-	-	
			4700	94	-	-	
			6800	128	-	-	
			10000	183	-	-	
15000	277	-	-				
22000 ⁽¹⁾	435	-	-				

1. Maximum external input impedance value authorized for the given Resolution.

Figure 39. Typical connection diagram using the ADC with TT pins featuring analog switch function



DT67871V3

6.3.22.1 General PCB design guidelines

PCB design guidelines are provided in AN5489 "Getting started with STM32MP25xx lines hardware development" available from the ST website www.st.com.

6.3.23 Voltage reference buffer (VREFBUF) characteristics
Table 90. VREFBUF characteristics

Evaluated by characterization, not tested in production unless otherwise specified.

Symbol	Parameter	Conditions	Min	Typ	Max	Unit	
V _{DDA18ADC}	Analog supply voltage	-	VRS = 000	1.62	1.8	1.89 ⁽¹⁾	V
			VRS = 001	1.75	1.8	1.89 ⁽¹⁾	
V _{REFBUF_OUT}	Voltage Reference Buffer Output	at 30 °C, at I _{LOAD} = 10 μA, V _{DDA18ADC} = 1.8 V	VRS = 000	1.203	1.21	1.216	
			VRS = 001	1.491	1.5	1.506	
TRIM	Trim step resolution	-	-	±0.05	±0.1	%	
C _L	Load Capacitor	-	0.5	1.1	1.5	μF	
esr	Equivalent Serial Resistor of C _L	-	-	-	1	Ω	
I _{LOAD}	External DC load current	All ADCs ON	-	-	0.8	mA	
		All ADCs OFF	-	-	2		
I _{LINE_REG}	Line regulation	V _{DDA18ADC} range according to VRS value. T _J = +30 °C.	-	7500	11000	ppm/V	
I _{LOAD_REG}	Load regulation	100 μA ≤ I _{LOAD} ≤ 800 μA. T _J = +30 °C.	-	4700	6000	ppm/mA	
T _{coeff}	Temperature coefficient	-40 °C < T _J < +30 °C	+89	-	+305	ppm/°C	
		+30 °C < T _J < +125 °C	-15	-	+68		
A _{coeff}	Long term stability	1000 hours, T _J = 125 °C	-2000	-	+2000	ppm	
PSRR	Power supply rejection	DC	-	76	-	dB	
		100 kHz	-	60	-		
t _{START}	Start-up time	-	-	260	388	μs	
I _{INRUSH}	Control of max. DC current drive on V _{REFBUF_OUT} during start-up phase (t _{START})	-	-	-	10	mA	
I _{VDDA18ADC(VREFBUF)}	VREFBUF supply current V _{DDA18ADC} (excluding internal and external load)	ENVR = 1	I _{LOAD} = 0.8 mA DC	-	9	21	μA
			Peak during 2 × ADC conversion	-	48	60	
		ENVR = 0	-	3	6.5	μA	

1. Static condition. 1.98 V allowed during transients.

6.3.24 Digital Temperature Sensor (DTS) characteristics
Table 91. DTS characteristics

Evaluated by characterization, not tested in production unless otherwise specified.

Symbol	Parameter	Conditions	Min	Typ	Max	Unit
f _{DTS}	Operating frequency	-	4	-	8	MHz
Res	Resolution	-	8	10	12	Bits
Step	Step size	For respectively 8, 10 and 12 bits resolution	0.86	0.22	0.06	°C
t _{conv}	Conversion time	For respectively 8, 10 and 12 bits resolution	512	2048	8192	1 / f _{DTS}
t _{pwrup}	Power up time	-	-	-	256	

Symbol	Parameter	Conditions	Min	Typ	Max	Unit
T _A	Accuracy	From -20 to +125 °C	-	-	3 ⁽¹⁾	°C
		From -40 °C to -20 °C	-	-	6	
G	G constant	Refer to reference manual for the formula	58.5			°C
H	H constant	Refer to reference manual for the formula	201.2			°C
J	J constant	Refer to reference manual for the formula	0			°C / MHz
Cal5	Cal5 constant	Refer to reference manual for the formula	4094			-
TS _{loc}	Sensor location	TS0 sensor	Inside padding ⁽²⁾			-
		TS1 sensor	Inside device logic ⁽²⁾			-
I _{DTS(VDDA18AON)}	DTS supply current on V _{DDA18AON}	f _{DTS} = 8 MHz, continuous measurements, single sensor	-	120	160	µA
		At 1 measurement/s	-	-	1	
		f _{DTS} clock stopped	-	-	1	
I _{DTS(VDDCORE)}	DTS supply current on V _{DDCORE}	f _{DTS} = 8 MHz	-	-	15	µA

1. Guaranteed by test in production.

2. Temperature in padding sensor (side of the silicon die) is usually slightly lower than device logic sensor as most heat is generated inside device logic.

6.3.25

V_{BAT}, V_{DDCPU}, V_{DDCORE}, V_{DDGPU} ADC measurement characteristics

Table 92. V_{BAT}, V_{DDCPU}, V_{DDCORE}, V_{DDGPU} ADC measurement characteristics

Evaluated by characterization, not tested in production unless otherwise specified.

Symbol	Parameter	Conditions	Min	Typ	Max	Unit
R	Resistor bridge for V _{BAT}	-	-	130	-	kΩ
Q	Ratio on V _{BAT} measurement	-	-	4	-	-
E _r	Error on Q	-	-1	-	+1	%
t _{s_VBAT} ⁽¹⁾	ADC sampling time when reading the V _{BAT}	-	34	-	-	ns
t _{s_VDDCPU} ⁽¹⁾	ADC sampling time when reading the V _{DDCPU}	-	34	-	-	ns
t _{s_VDDCORE} ⁽¹⁾	ADC sampling time when reading the V _{DDCORE}	-	34	-	-	ns
t _{s_VDDGPU} ⁽¹⁾	ADC sampling time when reading the V _{DDGPU}	-	34	-	-	ns

1. Specified by design, not tested in production.

6.3.26

Temperature and V_{BAT} monitoring characteristic for tamper detection

Table 93. TEMP and V_{BAT} Monitoring characteristics

Evaluated by characterization, not tested in production unless otherwise specified.

Symbol	Parameter	Conditions	Min	Typ	Max	Unit
TEMPH	High T _J temperature monitoring	-	110	-	125	°C
TEMPL	Low T _J temperature monitoring	-	-40	-	-30	
V08CAPH	High V _{08CAP} supply monitoring ⁽¹⁾	-	0.88	-	1	V
V08CAPL	Low V _{08CAP} supply monitoring ⁽¹⁾	-	0.6	-	0.72	-
V08CAP_filter	V _{08CAP} supply monitoring glitch filter ⁽¹⁾	-	-	-	1	µs

1. V08CAP is an internal regulator supplied by V_{SW} . V_{SW} is equal to V_{DD} when present or V_{BAT} otherwise.

6.3.27 Voltage monitoring characteristics

Table 94. Voltage monitoring characteristics (V_{DDCORE} , V_{DDCPU} , V_{DDGPU} , PVD_IN , $V_{DDA18ADC}$, $V_{DDIO1/2/3/4}$, $V_{DD33USB}$, $V_{DD33UCPD}$)

Evaluated by characterization, not tested in production unless otherwise specified.

Symbol	Parameter	Conditions	Min	Typ	Max	Unit	
V_{DDCORE} monitoring							
$V_{OV_VDDCORE}$	Threshold on rising edge	To set V _{COREH} bit (overvoltage)	0.88 ⁽¹⁾	-	-	V	
$V_{UV_VDDCORE}$	Threshold on falling edge	To set V _{COREL} bit (undervoltage)	0.72	-	0.78 ⁽¹⁾		
$V_{hyst_VDDCORE}$	Hysteresis on monitoring	To clear V _{COREL} or V _{COREH} bit	-	20	-	mV	
$I_{UV_OV_VDDCORE}(V_{DDA18AON})$	Supply current on $V_{DDA18AON}$	V _{COREMONEN} = 1	-	0.75	-	μ A	
V_{DDCPU} monitoring							
V_{OV_VDDCPU}	Threshold on rising edge	To set V _{CPUH} bit (overvoltage)	0.99 ⁽¹⁾	-	-	V	
V_{UV_VDDCPU}	Threshold on falling edge	To set V _{CPUL} bit (undervoltage)	V _{CPULLS} = 0	0.72	-		0.78 ⁽¹⁾
			V _{CPULLS} = 1	0.81	-		0.87
V_{hyst_VDDCPU}	Hysteresis on monitoring	To clear V _{CPUL} or V _{CPUH} bit	-	20	-	mV	
$I_{UV_OV_VDDCPU}(V_{DDA18AON})$	Supply current on $V_{DDA18AON}$	V _{CPUMONEN} = 1	-	0.75	-	μ A	
V_{DDGPU} monitoring							
V_{RDY_VDDGPU}	Threshold on rising edge	To set V _{DDGPURDY} bit	GPULVTEN = 0	0.63 ⁽¹⁾	-	-	V
			GPULVTEN = 1	0.55	-	-	
V_{hyst_VDDGPU}	Hysteresis on falling edge	To clear V _{DDGPURDY} bit	-	23	-	mV	
T_{delay_VDDGPU}	Delay after detection	To set V _{DDGPURDY} bit	180	400	750	μ s	
		To clear V _{DDGPURDY} bit	-	0	-		
$I_{RDY_VDDGPU}(V_{DDA18AON})$	Supply current on $V_{DDA18AON}$	GPUVMEN = 1	-	0.75	-	μ A	
PVD_IN monitoring							
V_{PVD_IN}	Threshold on rising edge	-	-	0.815	-	V	
V_{hyst_PVD}	Hysteresis on monitoring	-	-	30	-	mV	
$I_{PVD}(V_{DDA18AON})$	Supply current on $V_{DDA18AON}$	PVDEN = 1	-	0.75	-	μ A	
$V_{DDA18ADC}$ monitoring							
$V_{RDY_VDDA18ADC}$	Threshold on rising edge	-	-	-	1.55 ⁽¹⁾	V	
$V_{hyst_VDDA18ADC}$	Hysteresis on monitoring	-	-	40	-	mV	

Symbol	Parameter	Conditions		Min	Typ	Max	Unit
I _{RDY_VDDA18ADC(VDDA18AON)}	Supply current on V _{DDA18AON}	AVMEN = 1		-	0.75	-	μA
I _{RDY_VDDA18ADC}	Supply current on V _{DDA18ADC}	AVMEN = 1		-	1	-	μA
V_{DDIO1} monitoring							
V _{RDY_VDDIO1}	Threshold on rising edge	-		-	-	1.55 ⁽¹⁾	V
V _{hyst_VDDIO1}	Hysteresis on monitoring	-		-	40	-	mV
I _{RDY_VDDIO1(VDDA18AON)}	Supply current on V _{DDA18AON}	VDDIO1VMEN = 1		-	0.75	-	μA
I _{RDY_VDDIO1}	Supply current on V _{DDIO1}	Always ON	VDDIO1 = 1.8 V	-	0.5	-	μA
			VDDIO1 = 3.3 V	-	1	-	
V_{DDIO2} monitoring							
V _{RDY_VDDIO2}	Threshold on rising edge	-		-	-	1.55 ⁽¹⁾	V
V _{hyst_VDDIO2}	Hysteresis on monitoring	-		-	40	-	mV
I _{RDY_VDDIO2(VDDA18AON)}	Supply current on V _{DDA18AON}	VDDIO2VMEN = 1		-	0.75	-	μA
I _{RDY_VDDIO2}	Supply current on V _{DDIO2}	Always ON	VDDIO2 = 1.8 V	-	0.5	-	μA
			VDDIO2 = 3.3 V	-	1	-	
V_{DDIO3} monitoring							
V _{RDY_VDDIO3}	Threshold on rising edge	-		-	-	1.55 ⁽¹⁾	V
V _{hyst_VDDIO3}	Hysteresis on monitoring	-		-	40	-	mV
I _{RDY_VDDIO3(VDDA18AON)}	Supply current on V _{DDA18AON}	VDDIO3VMEN = 1		-	0.75	-	μA
I _{RDY_VDDIO3}	Supply current on V _{DDIO3}	Always ON	VDDIO3 = 1.8 V	-	0.5	-	μA
			VDDIO3 = 3.3 V	-	1	-	
V_{DDIO4} monitoring							
V _{RDY_VDDIO4}	Threshold on rising edge	-		-	-	1.55 ⁽¹⁾	V
V _{hyst_VDDIO4}	Hysteresis on monitoring	-		-	40	-	mV
I _{RDY_VDDIO4(VDDA18AON)}	Supply current on V _{DDA18AON}	VDDIO4VMEN = 1		-	0.75	-	μA
I _{RDY_VDDIO4}	Supply current on V _{DDIO4}	Always ON	VDDIO4 = 1.8 V	-	0.5	-	μA
			VDDIO4 = 3.3 V	-	1	-	
V_{DD33USB} monitoring							
V _{RDY_VDD33USB}	Threshold on rising edge	-		-	-	1.55 ⁽¹⁾	V
V _{hyst_VDD33USB}	Hysteresis on monitoring	-		-	40	-	mV
I _{RDY_VDD33USB(VDDA18AON)}	Supply current on V _{DDA18AON}	USB33VMEN = 1		-	0.75	-	μA

Symbol	Parameter	Conditions	Min	Typ	Max	Unit
I _{RDY_VDD33USB}	Supply current on V _{DD33USB}	Always ON	-	1	-	μA
V_{DD33UCPD} monitoring						
V _{RDY_VDD33UCPD}	Threshold on rising edge	-	-	-	1.55 ⁽¹⁾	V
V _{hyst_VDD33UCPD}	Hysteresis on monitoring	-	-	40	-	mV
I _{RDY_VDD33UCPD(VDDA18AON)}	Supply current on V _{DDA18AON}	UCPDVMEN = 1	-	0.75	-	μA
I _{RDY_VDD33UCPD}	Supply current on V _{DD33UCPD}	Always ON	-	1	-	μA

1. Guaranteed by test in production.

6.3.28 Compensation cell characteristics

Table 95. Compensation cell characteristics

Evaluated by characterization, not tested in production unless otherwise specified.

Symbol	Parameter	Conditions	Min	Typ	Max	Unit
I _{COMPCELL}	V _{DDA18AON} current consumption during code calculation	Using a 8 MHz clock (HSI / 8)	-	250	-	μA
T _{steady}	Time needed to have the first code calculation after enabling		-	96	-	μs
T _{measure}	Time needed to update the code		-	832	-	

6.3.29 Multi-function digital filter (MDF) characteristics

Unless otherwise specified, the parameters given in the table below are derived from tests performed under the ambient temperature, frequency and supply voltage conditions summarized in [Table 17. General operating conditions](#), with the following configuration:

- Capacitive load C_L = 30 pF
- Measurement points done at CMOS levels: 0.5 × V_{DD}
- I/O compensation cell activated
- VDDxVRSEL activated when V_{DDx} ≤ 2.7 V

Table 96. MDF characteristics

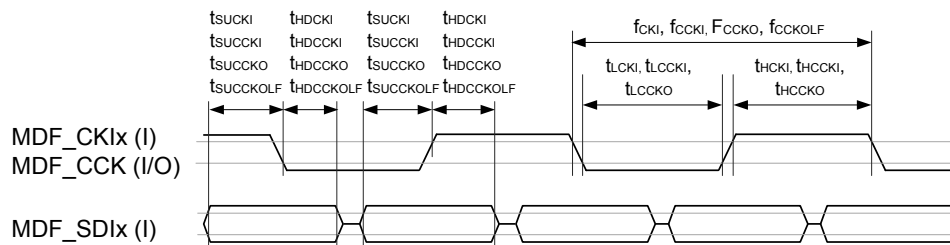
Evaluated by characterization, not tested in production unless otherwise specified.

Symbol	Parameter	Conditions	Min	Typ	Max	Unit
f _{CKI}	Input clock frequency via MDF_CK1x pin, in SLAVE SPI mode	-	-	-	25	MHz
f _{CCKI}	Input clock frequency via MDF_CCK[1:0] pin, in SLAVE SPI mode	-	-	-	25	
f _{CCKO}	Output clock frequency in MASTER SPI mode	-	-	-	25	
f _{CCKOLF}	Output clock frequency in LF_MASTER SPI mode	-	-	-	5	
f _{SYMB}	Input symbol rate in Manchester mode	-	-	-	20	
t _{HCKI} t _{LCKI}	MDF_CK1x input clock high and low time	In SLAVE SPI mode	2 × T _{mdf_proc_ck} ⁽¹⁾		-	ns

Symbol	Parameter	Conditions	Min	Typ	Max	Unit
t_{HCCKI} t_{LCCKI}	MDF_CCK[1:0] input clock high and low time	In SLAVE SPI mode	$2 \times T_{mdf_proc_ck}^{(1)}$	-	-	ns
t_{HCCKO} t_{LCCKO}	MDF_CCK[1:0] output clock high and low time	In MASTER SPI mode	$2 \times T_{mdf_proc_ck}^{(1)}$	-	-	
$t_{HCCKOLF}$ $t_{LCCKOLF}$	MDF_CCK[1:0] output clock high and low time	In LF_MASTER SPI mode	$T_{mdf_proc_ck}^{(1)}$	-	-	
t_{SUCKI}	Data setup time with respect to MDF_CCKIx input	In SLAVE SPI mode, measured on rising and falling edge	7.5	-	-	
t_{HDCKI}	Data hold time with respect to MDF_CCKIx input		0.5	-	-	
t_{SUCCKI}	Data setup time with respect to MDF_CCK[1:0] input	In SLAVE SPI mode: MDF_CCK[1:0] configured in input, measured on rising and falling edge	8.5	-	-	
t_{HDCKI}	Data hold time with respect to MDF_CCK[1:0] input		0.5	-	-	
t_{SUCCKO}	Data setup time with respect to MDF_CCK[1:0] output	In MASTER SPI mode: MDF_CCK[1:0] configured in output, measured on rising and falling edge	8.5	-	-	
t_{HDCKO}	Data hold time with respect to MDF_CCK[1:0] output		0.5	-	-	
$t_{SUCCKOLF}$	Data setup time with respect to MDF_CCK[1:0] output	In LF_MASTER SPI mode, MDF_CCK[1:0] configured in output, measured on rising and falling edge	14.5	-	-	
$t_{HDCKOLF}$	Data hold time with respect to MDF_CCK[1:0] output		0.5	-	-	

1. $T_{mdf_proc_ck}$ is the period of the MDF processing clock.

Figure 40. MDF timing diagram



DT69125V1

6.3.30

Audio digital filter (ADF) characteristics

Unless otherwise specified, the parameters given in the table below are derived from tests performed under the ambient temperature, frequency and supply voltage conditions summarized in [Table 17. General operating conditions](#), with the following configuration:

- Capacitive load $C_L = 30$ pF
- Measurement points done at CMOS levels: $0.5 \times V_{DD}$
- I/O compensation cell activated
- $V_{DDxVRSEL}$ activated when $V_{DDx} \leq 2.7$ V

Table 97. ADF characteristics

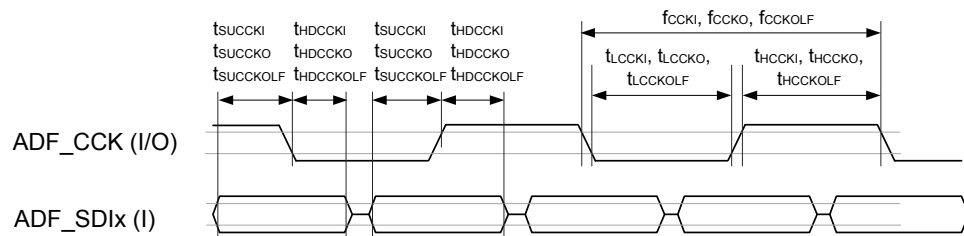
Evaluated by characterization, not tested in production unless otherwise specified.

Symbol	Parameter	Conditions	Min	Typ	Max	Unit
f_{CCKI}	Input clock frequency via ADF_CCK[1:0] pin, in SLAVE SPI mode	-	-	-	25	MHz

Symbol	Parameter	Conditions	Min	Typ	Max	Unit
f_{CCKO}	Output clock frequency in MASTER SPI mode	-	-	-	25	MHz
f_{CCKOLF}	Output clock frequency in LF_MASTER SPI mode	-	-	-	5	
f_{SYMB}	Input symbol rate in Manchester mode	-	-	-	20	
t_{HCCKI} t_{LCCKI}	ADF_CCK[1:0] input clock high and low time	In SLAVE SPI mode	$2 \times T_{\text{adf_proc_ck}}^{(1)}$	-	-	ns
t_{HCCKO} t_{LCCKO}	ADF_CCK[1:0] output clock high and low time	In MASTER SPI mode	$2 \times T_{\text{adf_proc_ck}}^{(1)}$	-	-	
t_{HCCKOLF} t_{LCCKOLF}	ADF_CCK[1:0] output clock high and low time	In LF_MASTER SPI mode	$T_{\text{adf_proc_ck}}^{(1)}$	-	-	
t_{SUCCKI}	Data setup time with respect to ADF_CCK[1:0] input	In SLAVE SPI mode: ADF_CCK[1:0] configured in input, measured on rising and falling edge	2.5	-	-	
t_{HDCKI}	Data hold time with respect to ADF_CCK[1:0] input		0.5	-	-	
t_{SUCCKO}	Data setup time with respect to ADF_CCK[1:0] output	In MASTER SPI mode: ADF_CCK[1:0] configured in output, measured on rising and falling edge	2	-	-	
t_{HDCKO}	Data hold time with respect to ADF_CCK[1:0] output		1	-	-	
t_{SUCCKOLF}	Data setup time with respect to ADF_CCK[1:0] output	In LF_MASTER SPI mode, ADF_CCK[1:0] configured in output, measured on rising and falling edge	7	-	-	
t_{HDCKOLF}	Data hold time with respect to ADF_CCK[1:0] output		0.5	-	-	

1. $T_{\text{adf_proc_ck}}$ is the period of the ADF processing clock.

Figure 41. ADF timing diagram



DT69124V1

6.3.31 Camera interface (DCMI) characteristics

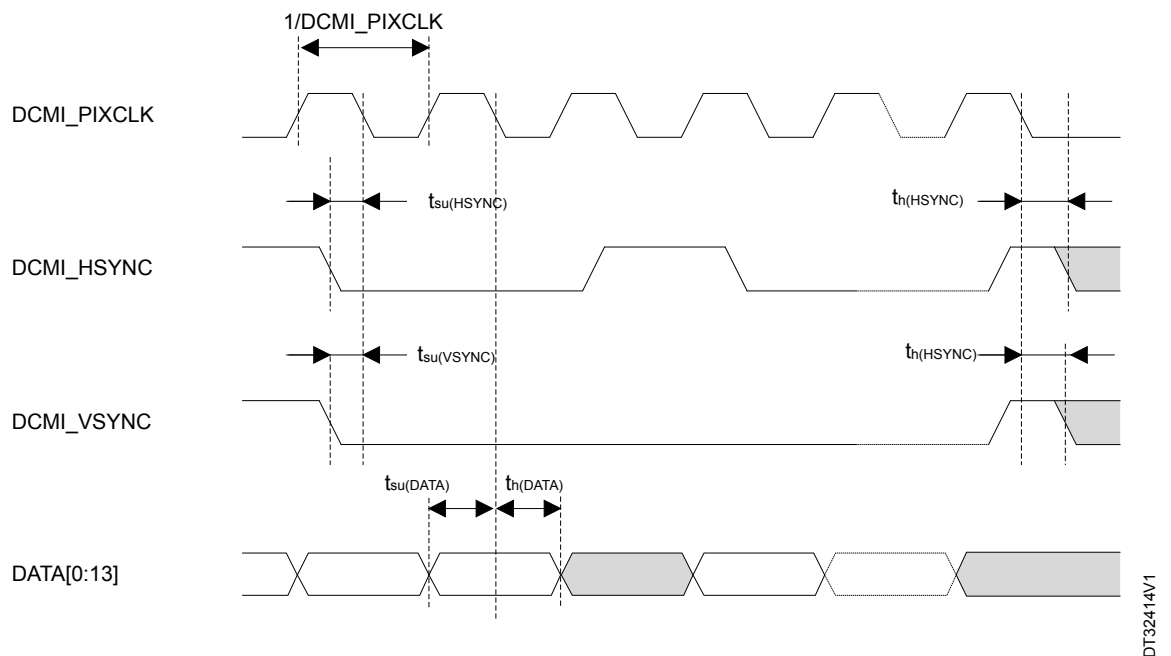
Unless otherwise specified, the parameters given in the table below are derived from tests performed under the ambient temperature, frequency and supply voltage conditions summarized in [Table 17. General operating conditions](#), with the following configuration:

- DCMI_PIXCLK polarity: falling
- DCMI_VSYNC and DCMI_HSYNC polarity: high
- Data formats: 14 bits
- Capacitive load $C_L = 30 \text{ pF}$
- Measurement points done at CMOS levels: $0.5 \times V_{\text{DD}}$
- I/O compensation cell activated
- V_{DDxVRSEL} activated when $V_{\text{DDx}} \leq 2.7 \text{ V}$

Table 98. DCMI characteristics

Evaluated by characterization, not tested in production unless otherwise specified.

Symbol	Parameter	Min	Typ	Max	Unit
clock_ratio	Frequency ratio DCMI_PIXCLK / f_{HCLK}	-	-	0.4	-
DCMI_PIXCLK	Pixel clock input	-	-	80	MHz
DPIXEL	Pixel clock input duty cycle	30	-	70	%
$t_{su}(DATA)$	Data input setup time	3	-	-	ns
$t_h(DATA)$	Data hold time	1	-	-	
$t_{su}(HSYNC) t_{su}(VSYNC)$	DCMI_HSYNC and DCMI_VSYNC input setup times	3	-	-	
$t_h(HSYNC) t_h(VSYNC)$	DCMI_HSYNC and DCMI_VSYNC input hold times	1	-	-	

Figure 42. DCMI timing diagram


DT32414V1

6.3.32 Camera interface (DCMIPP) characteristics

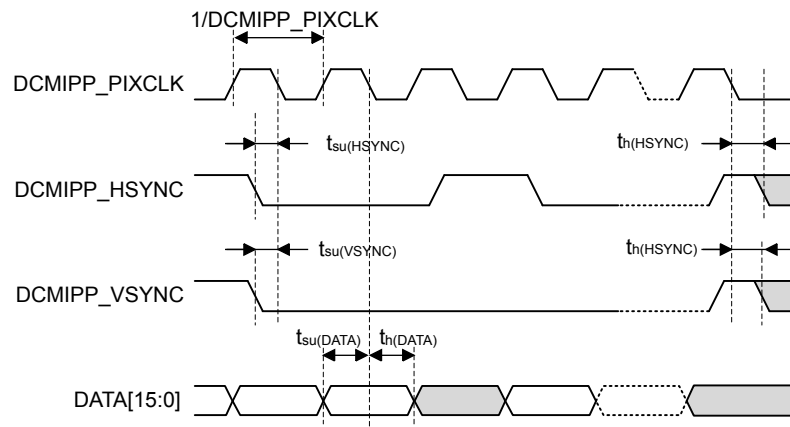
Unless otherwise specified, the parameters given in Table 99 for DCMIPP are derived from tests performed under the ambient temperature, frequency and supply voltage conditions summarized in Table 17. **General operating conditions**, with the following configuration:

- DCMIPP_PIXCLK polarity: falling (refer to AN5489 "Getting started with STM32MP25xx lines hardware development") available from the ST website www.st.com.
- DCMIPP_VSYNC and DCMIPP_HSYNC polarity: high
- Data formats: 16 bits
- Capacitive load $C = 30$ pF
- Measurement points are done at CMOS levels: $0.5 \times V_{DD}$
- I/O compensation cell activated
- VDDxVRSEL activated when $V_{DDx} \leq 2.7$ V

Table 99. DCMIPP characteristics

Evaluated by characterization, not tested in production unless otherwise specified.

Symbol	Parameter	Conditions	Min	Typ	Max	Unit
DCMIPP_PIXCLK	Pixel clock input	-	-	-	120	MHz
DPixel	Pixel clock input duty cycle	-	30	-	70	%
$t_{su}(DATA)$	Data input setup time	-	2	-	-	ns
$t_h(DATA)$	Data input hold time	-	4	-	-	
$t_{su}(HSYNC) t_{su}(VSYNC)$	DCMIPP_HSYNC / DCMIPP_VSYNC input setup time	-	2	-	-	
$t_h(HSYNC) t_h(VSYNC)$	DCMIPP_HSYNC / DCMIPP_VSYNC input hold time	-	4	-	-	

Figure 43. DCMIPP timing diagram


DT73149V1

6.3.33 Parallel interface (PSSI) characteristics

 Unless otherwise specified, the parameters given in the table below are derived from tests performed under the ambient temperature, frequency and supply voltage conditions summarized in [Table 17. General operating conditions](#), with the following configuration:

- PSSI_PDCK polarity: falling
- PSSI_RDY and PSSI_DE polarity: low
- Bus width: 16 lines
- Data width: 32 bits
- Capacitive load $C_L = 30$ pF
- Measurement points done at CMOS levels: $0.5 \times V_{DD}$
- I/O compensation cell activated
- VDDxVRSEL activated when $V_{DDx} \leq 2.7$ V

Table 100. PSSI transmit characteristics

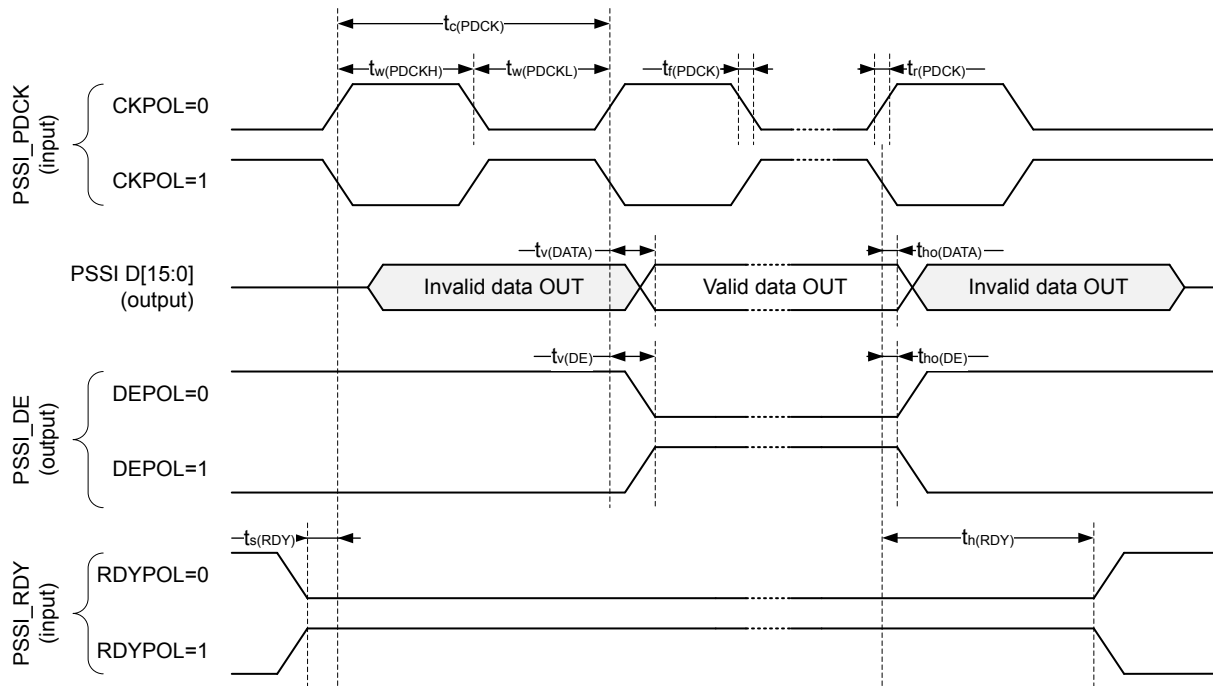
Evaluated by characterization, not tested in production unless otherwise specified.

Symbol	Parameter	Conditions	Min	Typ	Max	Unit
clock_ratio	Frequency ratio DCMI_PDCK/ f_{HCLK}	-	-	-	0.4	-
PSSI_PDCK	PSSI clock input	-	-	-	74 ⁽¹⁾	MHz
DPIXEL	PSSI clock input duty cycle	-	30	-	70	%
$t_{OV}(DATA)$	Data output valid time	-	-	-	13.5	ns
$t_{OH}(DATA)$	Data output hold time	-	5.5	-	-	

Symbol	Parameter	Conditions	Min	Typ	Max	Unit
$t_{OV(DE)}$	DE output valid time	-	-	-	10	ns
$t_{OH(DE)}$	DE output hold time	-	6.5	-	-	
$t_{SU(RDY)}$	RDY input setup time	-	0	-	-	
$t_{H(RDY)}$	RDY input hold time	-	5.5	-	-	

1. This maximal frequency does not consider receiver setup and hold timings.

Figure 44. PSSI transmit timing diagram

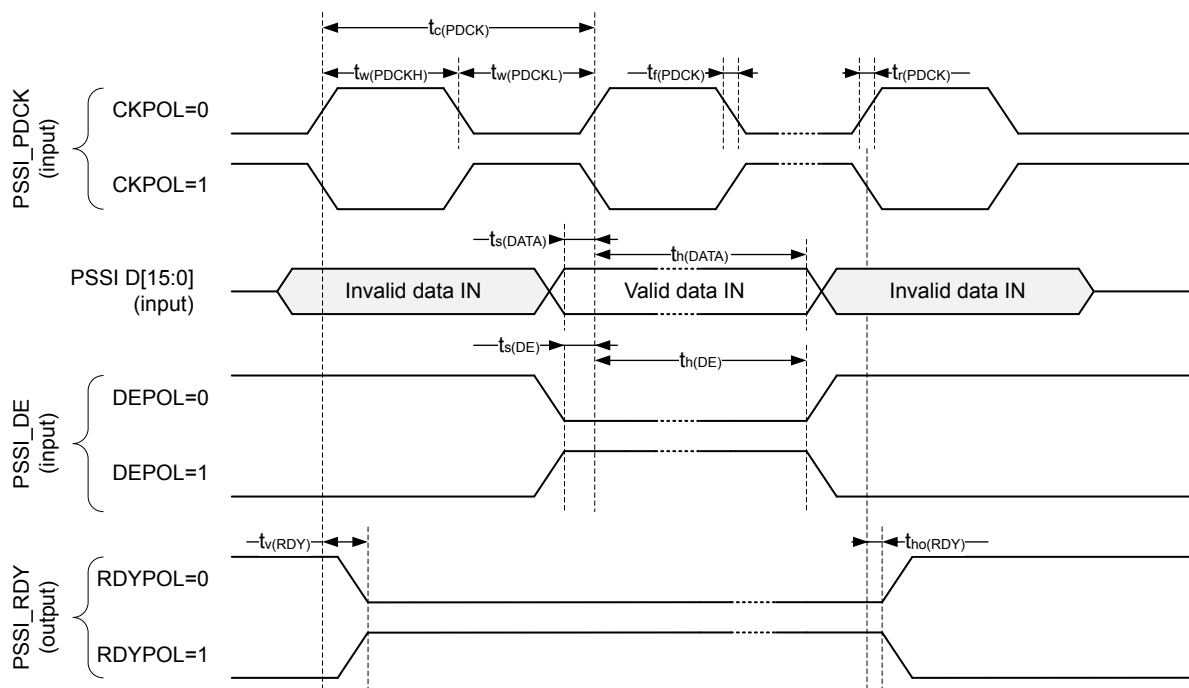


DT63437V1

Table 101. PSSI receive characteristics

Evaluated by characterization, not tested in production unless otherwise specified.

Symbol	Parameter	Conditions	Min	Typ	Max	Unit
clock_ratio	Frequency ratio DCMI_PDCK/ f_{HCLK}	-	-	-	0.4	-
PSSI_PDCK	PSSI clock input	-	-	-	80	MHz
DPIXEL	PSSI clock input duty cycle	-	30	-	70	%
$t_{SU(DATA)}$	Data input setup time	-	2.5	-	-	ns
$t_{H(DATA)}$	Data input hold time	-	1.5	-	-	
$t_{SU(DE)}$	DE input setup time	-	1.5	-	-	
$t_{H(DE)}$	DE input hold time	-	1	-	-	
$t_{OV(RDY)}$	RDY output valid time	-	-	-	11.5	
$t_{OH(RDY)}$	RDY output hold time	-	8	-	-	

Figure 45. PSSI receive timing diagram


DT63436V1

6.3.34 LCD-TFT controller (LTDC) characteristics

Unless otherwise specified, the parameters given in Table 102 for the LTDC interface are derived from tests performed under the ambient temperature, frequency and supply voltage conditions summarized in Table 17. General operating conditions, with the following configuration:

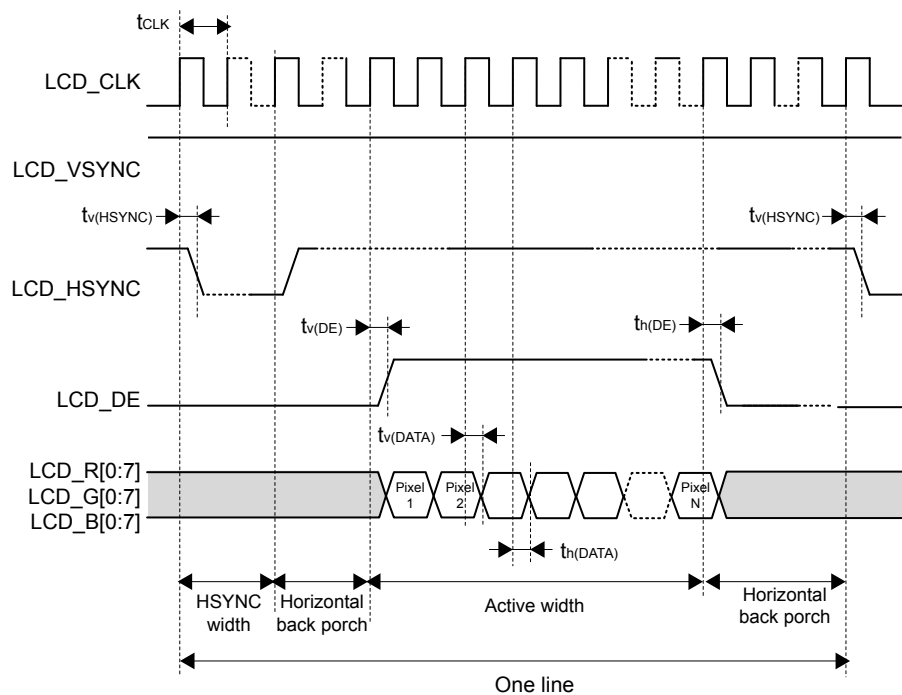
- LCD_CLK polarity: low (signals change on CLK rising edge)
- LCD_DE polarity: low
- LCD_VSYNC and LCD_HSYNC polarity: high
- Pixel formats: 24 bits
- Output speed is set to:
 - LTDC Clock: OSPEEDRy[1:0] = 11
 - Other LTDC signals: OSPEEDRy[1:0] = 01
- Advanced I/O configurations:
 - LTDC Clock: RET = 0, INVCLK = 0, DE = 0, DLYPATH = 0
 - Other LTDC signals: RET = 1, INVCLK = 0, DE = 0, DLYPATH = 0
- Capacitive load C = 30 pF
- Measurement points are done at CMOS levels: $0.5 \times V_{DD}$
- I/O compensation cell enabled
- VDDxVRSEL activated when $V_{DDx} \leq 2.7$ V

Table 102. LTDC characteristics

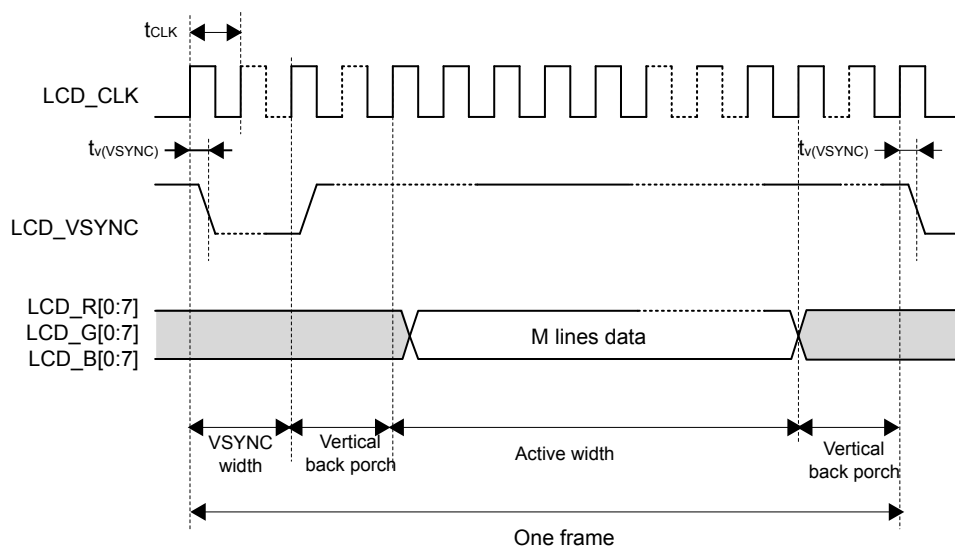
Evaluated by characterization, not tested in production unless otherwise specified.

Symbol	Parameter	Conditions	Min	Typ	Max	Unit
f_{CLK}	LTDC clock output frequency	C = 20 pF	-	-	148.5	MHz
		C = 30 pF	-	-	120	
D_{CLK}	LTDC clock output duty cycle	-	45	-	55	%

Symbol	Parameter	Conditions	Min	Typ	Max	Unit
$t_{w(CLKH)}, t_{w(CLKL)}$	Clock high time, low time	-	$t_{w(CLK)} / 2 - 0.5$	-	$t_{w(CLK)} / 2 + 0.5$	ns
$t_{v(DATA)}$	Data output valid time	-	-	-	4	
$t_{h(DATA)}$	Data output hold time	-	1	-	-	
$t_{v(HSYNC)}, t_{v(VSYNC)}, t_{v(DE)}$	HSYNC/VSYNC/DE output valid time	-	-	-	3.5	
$t_{h(HSYNC)}, t_{h(VSYNC)}, t_{h(DE)}$	HSYNC / VSYNC / DE output hold time	-	0.5	-	-	

Figure 46. LCD-TFT horizontal timing diagram


DT32749V1

Figure 47. LCD-TFT vertical timing diagram


DT32750V1

6.3.35 Timer characteristics

The parameters given in [Table 103](#) are specified by design, not tested in production.

Refer to [Section 6.3.16: I/O port characteristics](#) for details on the input/output alternate function characteristics (output compare, input capture, external clock, PWM output).

Table 103. TIMx characteristics

TIMx is used as a general term to refer to the TIM1 to TIM20 timers.
Specified by design, not tested in production.

Symbol	Parameter	Min	Max	Unit
$t_{res(TIM)}$	Timer resolution time	1	-	$t_{TIMxCLK}$
$f_{TIMxCLK}$	Timer kernel clock	0	200	MHz
f_{EXT}	Timer external clock frequency on CH1 to CH4	0	$f_{TIMxCLK} / 2$	
Res_{TIM}	Timer resolution	-	16	bit
	Timer resolution (TIM2 to TIM5)	-	32	
t_{MAX_COUNT}	Maximum possible count with 16-bit counters	-	65536	$t_{TIMxCLK}$
	Maximum possible count with 32-bit counter (TIM2 to TIM5)	-	65536×65536	

Table 104. LPTIMx characteristics

LPTIMx is used as a general term to refer to the LPTIM1 to LPTIM5 timers.
Specified by design, not tested in production.

Symbol	Parameter	Min	Max	Unit
$t_{res(LPTIM)}$	Timer resolution time	1	-	$t_{LPTIMxCLK}$
$f_{LPTIMxCLK}$	Timer kernel clock	0	100	MHz
	Timer kernel clock (autonomous mode)	0	32768	Hz
f_{EXT}	Timer external clock frequency on IN1 and IN2	0	$f_{LPTIMxCLK}/2$	MHz
Res_{LPTIM}	Timer resolution	-	16	bit
t_{MAX_COUNT}	Maximum possible count	-	65536	$t_{LPTIMxCLK}$

6.3.36 Communications interfaces

6.3.36.1 I2C interface characteristics

The I2C interface meets the timings requirements of the I²C-bus specification for:

- Standard-mode (Sm): with a bit rate up to 100 kbit/s
- Fast-mode (Fm): with a bit rate up to 400 kbit/s.
- Fast-mode Plus (Fm+): with a bit rate up to 1 Mbit/s.

The I²C timings requirements are specified by design, not tested in production, when the I2C peripheral is properly configured (refer to product reference manual):

The SDA and SCL I/O requirements are met with the following restriction:

- The SDA and SCL I/O pins are not "true" open-drain. When configured as open-drain, the PMOS connected between the I/O pin and V_{DD} is disabled, but is still present.

All I2C SDA and SCL I/Os embed an analog filter. Refer to [Table 105. I2C analog filter characteristics](#) for the analog filter characteristics:

Table 105. I2C analog filter characteristics

Evaluated by characterization, not tested in production unless otherwise specified.

Symbols	Parameters	Min	Max	Unit
t _{AF}	Maximum pulse width of spikes that are suppressed by the analog filter	50 ⁽¹⁾	260 ⁽²⁾	ns

1. Spikes with widths below t_{AF(min)} are filtered. At T_J = -40 °C, the guaranteed minimum is 40 ns.

2. Spikes with widths above t_{AF(max)} are not filtered.

6.3.36.2 I3C interface characteristics

The I3C timings are in line with timings requirements of the MIPI[®] I3C specification v1.1, except for the ones given in [Table 106](#). This can be mitigated by increasing the corresponding SCL low duration in the I3C_TIMINGR0 register.

The I3C peripheral supports:

- I3C SDR-only as controller
- I3C SDR-only as target
- I3C SCL bus clock frequency up to 12.5 MHz

Unless otherwise specified, the parameters given in [Table 106](#) for the I3C interface are derived from tests performed under the ambient temperature, frequency and supply voltage conditions summarized in [Table 17. General operating conditions](#), with the following configuration:

- Output speed is set to OSPEEDRy[1:0] = 11
- Capacitive load C = 30 pF
- I/O compensation cell enabled
- VDDxVRSEL activated when V_{DDx} ≤ 2.7 V

Table 106. I3C specific timings

Evaluated by characterization, not tested in production unless otherwise specified.

Symbol	Parameter	Conditions	Min	Typ	Max	Unit
t _{SU_OD}	SDA data setup time during Open-Drain mode	Controller	19.5	-	-	ns
t _{SU_PP}	SDA sata setup time in Push-Pull mode	Controller	15	-	-	ns

Table 107. I3C pin characteristics

Evaluated by characterization, not tested in production unless otherwise specified.

Symbol	Parameter	Min	Typ	Max	Unit
R _{PU(I3C)}	I3C pull-up	1600	2200	2800	Ω

Symbol	Parameter	Min	Typ	Max	Unit
R _{HK(I3C)}	I3C high keeper (weak pull-up)	125	160	195	kΩ

6.3.36.3 SPI interface characteristics

Unless otherwise specified, the parameters given in Table 108 for the SPI interface are derived from tests performed under the ambient temperature, frequency and supply voltage conditions summarized in Table 17. General operating conditions, with the following configuration:

- Output speed is set to OSPEEDRy[1:0] = 11
- Capacitive load C = 30 pF
- Measurement points are done at CMOS levels: 0.5 × V_{DD}
- I/O compensation cell enabled
- VDDxVRSEL activated when V_{DDx} ≤ 2.7 V

Refer to Section 6.3.16: I/O port characteristics for more details on the input/output alternate function characteristics (NSS, SCK, MOSI, MISO for SPI).

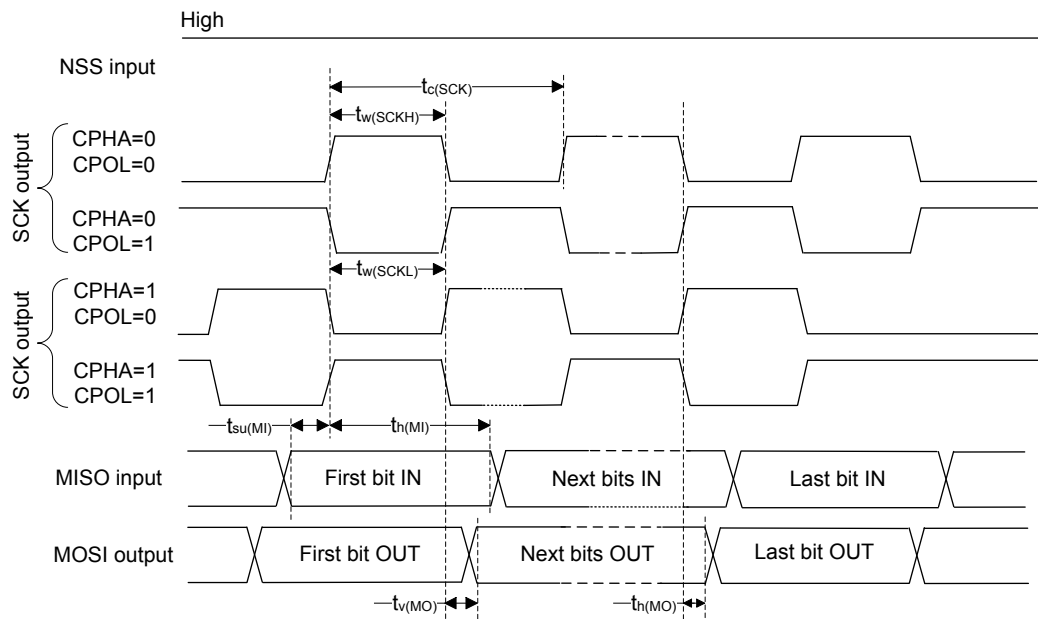
Table 108. SPI characteristics

Evaluated by characterization, not tested in production unless otherwise specified.

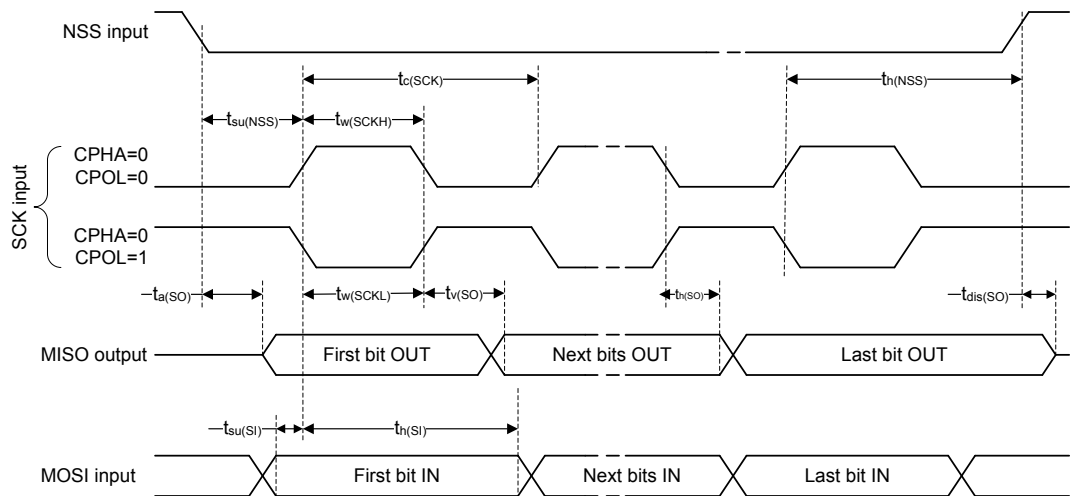
Symbol	Parameter	Conditions	Min	Typ	Max	Unit
f _{SCK}	SPI clock frequency	Master mode 1.71 V < V _{DD} < 1.89 V	-	-	115	MHz
		Master mode 3.0 V < V _{DD} < 3.6 V	-	-	105	
		Slave receiver mode	-	-	100	
		Slave mode transmitter/full duplex	-	-	41.5 ⁽¹⁾	
t _{su(NSS)}	NSS setup time	Slave mode	4	-	-	ns
t _{h(NSS)}	NSS hold time	Slave mode	1	-	-	
t _{w(SCKH), tw(SCKL)}	SCK high and low time	Master mode	T _{sck2} ⁽²⁾ - 1	T _{sck2} ⁽²⁾	T _{sck2} ⁽²⁾ + 1	
t _{su(MI)}	Data input setup time	Master mode	4.5	-	-	
t _{su(SI)}		Slave mode	3	-	-	
t _{h(MI)}	Data input hold time	Master mode	1	-	-	
t _{h(SI)}		Slave mode	1	-	-	
t _{a(SO)}	Data output access time	Slave mode	11	15	15	
t _{dis(SO)}	Data output disable time	Slave mode	12.5	14.5	17.5	
t _{v(MO)}	Data output valid time	Master mode	-	3	3.5	
t _{v(SO)}		Slave mode	-	11.5	12	
t _{h(MO)}	Data output hold time	Master mode	2	-	-	
t _{h(SO)}		Slave mode	10	-	-	

1. Maximum frequency in slave transmitter mode is determined by the sum of t_{v(SO)} and t_{su(MI)} which must fit into SCK low or high phase preceding the SCK sampling edge. This value can be achieved when the SPI communicates with a master having t_{su(MI)} = 0 while Duty(SCK) = 50%.

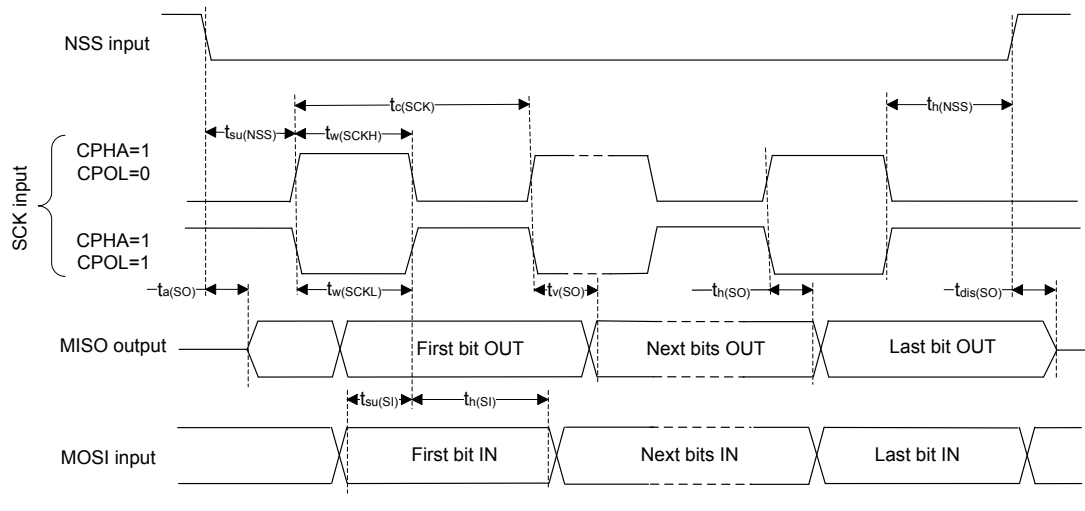
2. T_{sck2} = T_{clk} × prescaler / 2.

Figure 48. SPI timing diagram - master mode


DT172626V1

Figure 49. SPI timing diagram - slave mode and CPHA = 0


DT141658V2

Figure 50. SPI timing diagram - slave mode and CPHA = 1


DT41659V2

6.3.36.4 I2S interface characteristics

Unless otherwise specified, the parameters given in [Table 109](#) for the I2S interface are derived from tests performed under the ambient temperature, frequency and supply voltage conditions summarized in [Table 17. General operating conditions](#), with the following configuration:

- Output speed is set to OSPEEDRy[1:0] = 01
- Capacitive load C= 30 pF
- Measurement points are done at CMOS levels: $0.5 \times V_{DD}$
- I/O compensation cell enabled
- VDDxVRSEL activated when $V_{DDx} \leq 2.7$ V

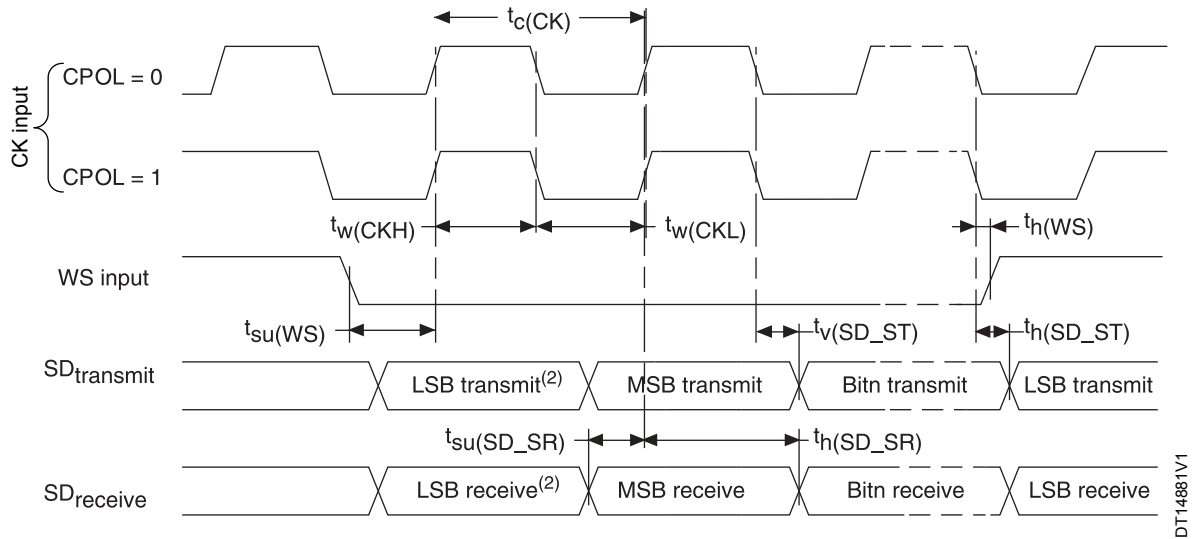
Refer to [Section 6.3.16: I/O port characteristics](#) for more details on the input/output alternate function characteristics (CK, SD, WS).

Table 109. I2S characteristics

Evaluated by characterization, not tested in production unless otherwise specified.

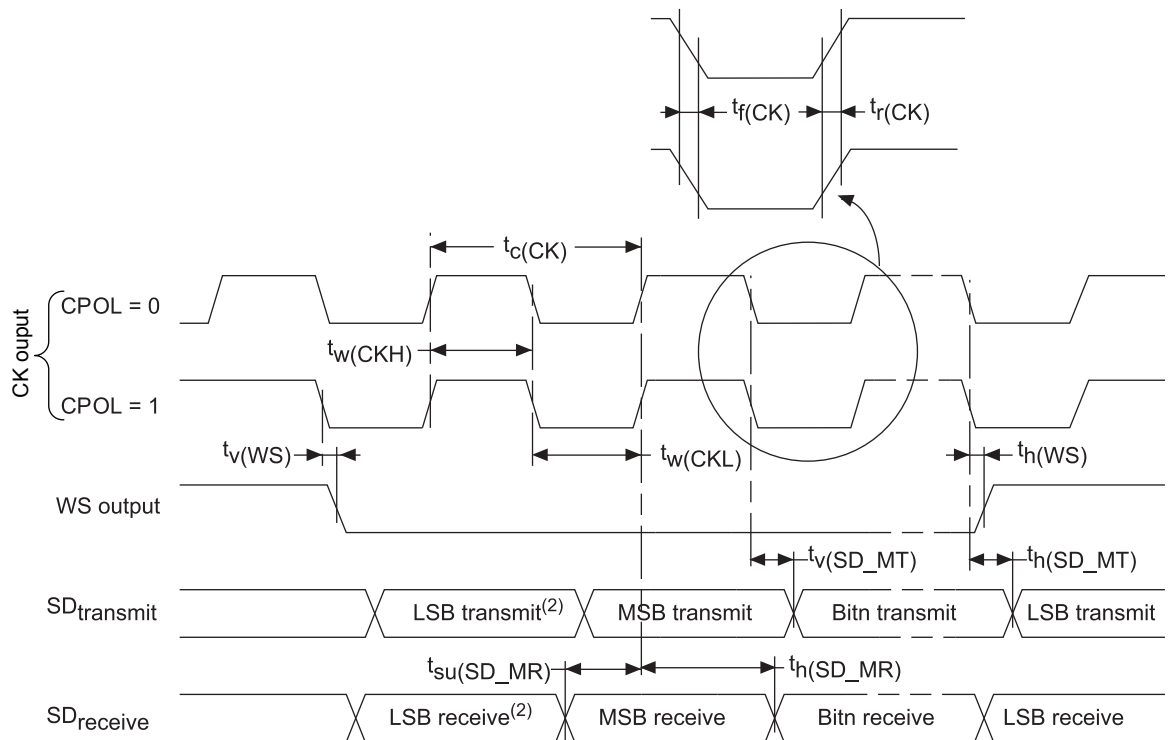
Symbol	Parameter	Conditions	Min	Typ	Max	Unit
f_{MCK}	I2S main clock output	-	-	-	50	MHz
f_{CK}	I2S clock frequency	Controller mode	-	-	50	MHz
		Target transmit mode	-	-	23	
		Target receive mode	-	-	50	
$t_{V(WS)}$	WS valid time	Controller mode	-	-	3.5	ns
$t_{H(WS)}$	WS hold time	Controller mode	2.5	-	-	
$t_{su(WS)}$	WS setup time	Target mode	3.5	-	-	
$t_{H(WS)}$	WS hold time	Target mode	3	-	-	
$t_{su(SD_MR)}$	Data input setup time	Controller receiver	4	-	-	
$t_{su(SD_SR)}$		Target receiver	3	-	-	
$t_{H(SD_MR)}$	Data input hold time	Controller receiver	2.5	-	-	
$t_{H(SD_SR)}$		Target receiver	1.5	-	-	
$t_{V(SD_ST)}$	Data output valid time	Target transmitter (after enable edge)	-	-	13	
$t_{V(SD_MT)}$		Controller transmitter (after enable edge)	-	-	3.5	

Symbol	Parameter	Conditions	Min	Typ	Max	Unit
$t_{h(SD_ST)}$	Data output hold time	Target transmitter (after enable edge)	8.5	-	-	ns
$t_{h(SD_MT)}$		Controller transmitter (after enable edge)	0	-	-	

Figure 51. I2S target timing diagram (Philips protocol)


DT14881V1

1. LSB transmit/receive of the previously transmitted byte. No LSB transmit/receive is sent before the first byte.

Figure 52. I2S controller timing diagram (Philips protocol)


DT14884V1

1. LSB transmit/receive of the previously transmitted byte. No LSB transmit/receive is sent before the first byte.

6.3.36.5 SAI interface characteristics

Unless otherwise specified, the parameters given in Table 110 for SAI are derived from tests performed under the ambient temperature, frequency and supply voltage conditions summarized in Table 17. **General operating conditions**, with the following configuration:

- Output speed is set to OSPEEDRy[1:0] = 10
- Capacitive load C = 30 pF
- Measurement points are performed at CMOS levels: $0.5 \times V_{DD}$
- I/O compensation cell enabled
- VDDxVRSEL activated when $V_{DDx} \leq 2.7$ V

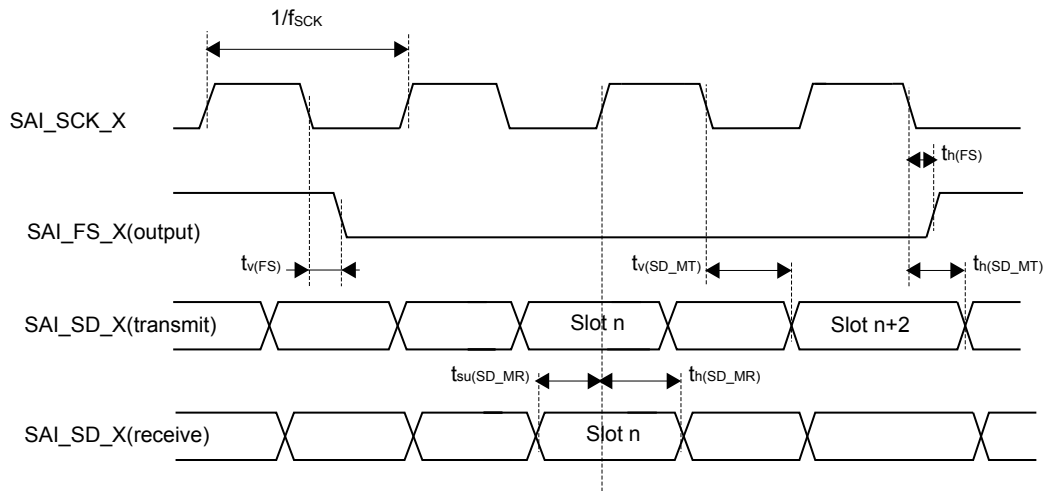
Refer to Section 6.3.16: I/O port characteristics for more details on the input/output alternate function characteristics (SCK, SD, WS).

Table 110. SAI characteristics

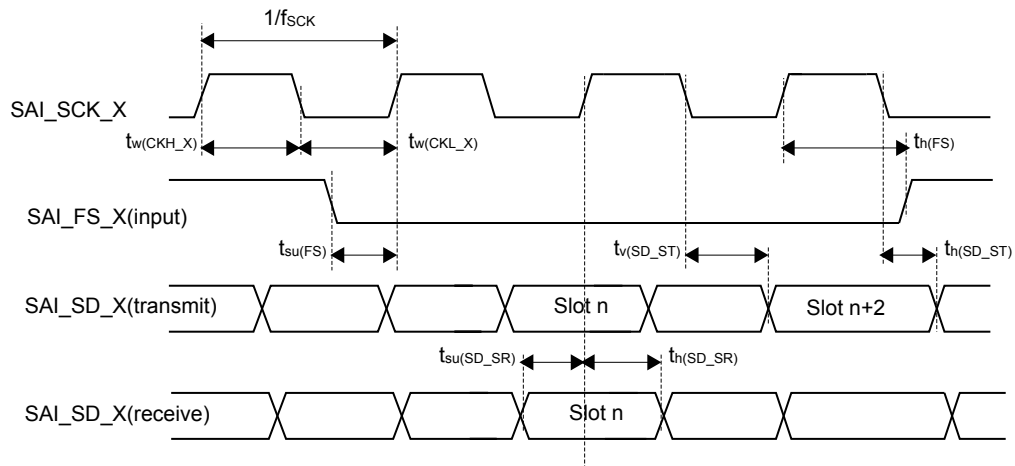
Evaluated by characterization, not tested in production unless otherwise specified.

Symbol	Parameter	Conditions	Min	Typ	Max	Unit
f _{MCK}	SAI main clock output	-	-	-	50	MHz
f _{CK}	SAI bit clock frequency ⁽¹⁾	Master transmitter	-	-	38	MHz
		Master receiver	-	-	34	
		Slave transmitter	-	-	40	
		Slave receiver	-	-	50	
t _{v(FS)}	FS valid time	Master mode	-	-	13	ns
t _{su(FS)}	FS setup time	Slave mode	9	-	-	
t _{h(FS)}	FS hold time	Master mode	5.5	-	-	
		Slave mode	1	-	-	
t _{su(SD_A_MR)}	Data input setup time	Master receiver	5.5	-	-	
t _{su(SD_B_SR)}		Slave receiver	5.5	-	-	
t _{h(SD_A_MR)}	Data input hold time	Master receiver	1	-	-	
t _{h(SD_B_SR)}		Slave receiver	1	-	-	
t _{v(SD_B_ST)}	Data output valid time	Slave transmitter (after enable edge)	-	-	12.5	
t _{h(SD_B_ST)}	Data output hold time	Slave transmitter (after enable edge)	8	-	-	
t _{v(SD_A_MT)}	Data output valid time	Master transmitter (after enable edge)	-	-	12.5	
t _{h(SD_A_MT)}	Data output hold time	Master transmitter (after enable edge)	8.8	-	-	

1. APB clock frequency must be at least twice SAI clock frequency.

Figure 53. SAI master timing waveforms


DT32771V1

Figure 54. SAI slave timing waveforms


DT32772V1

6.3.36.6 SD/SDIO MMC card host interface (SDMMC) characteristics

Unless otherwise specified, the parameters given in Table 111 for the SDIO/MMC interface are derived from tests performed under the ambient temperature, frequency and supply voltage conditions summarized in Table 17. General operating conditions, with the following configuration:

- Output speed is set as table below
- Capacitive load $C = 30 \text{ pF}$
- Measurement points are done at CMOS levels: $0.5 \times V_{DD}$
- I/O compensation cell enabled
- VDDxVRSEL activated when $V_{DDx} \leq 2.7 \text{ V}$

Refer to Section 6.3.16: I/O port characteristics for more details on the input/output characteristics.

Table 111. SDMMC GPIO OSPEEDR settings for timing measurements

Voltage range (V)	Max clock frequency (MHz)	OSPEEDRy[1:0]	
		Clock	Data
1.71 - 1.89 and 2.7 - 3.6	26/25	00	00

Voltage range (V)	Max clock frequency (MHz)	OSPEEDRy[1:0]	
		Clock	Data
1.71 - 1.89 and 2.7 - 3.6	52/50	01	00
	DDR 52/50	01	01
	100	01	00
2.7 - 3.6 ⁽¹⁾	120	11	10
1.71 - 1.89 ⁽¹⁾	166	11	10

1. With 20 pF load.

Table 112. SDMMC characteristics for SD-Card or SDIO usage

Evaluated by characterization, not tested in production unless otherwise specified.

Symbol	Parameter	Conditions	Min	Typ	Max	Unit
f _{PP}	Clock frequency in data transfer mode. 20 pF load.	V _{DDIOx} = 2.7 V to 3.6 V	0	-	120	MHz
		V _{DDIOx} = 1.71 V to 1.89 V	0	-	166	
clock_ratio	SDMMC_CK / f _{pclk} frequency ratio	-	-	-	8/3	-
t _{W(CKL)}	Clock low time	f _{PP} = 52 MHz	8.5	9.5	-	ns
t _{W(CKH)}	Clock high time	f _{PP} = 52 MHz	8.5	9.5	-	
CMD, D inputs (referenced to CK) in High-Speed/SDR/DDR mode⁽¹⁾						
t _{ISU}	Input setup time HS	-	2	-	-	ns
t _{IH}	Input hold time HS	-	2	-	-	
t _{IDW⁽²⁾}	Input valid window (variable window)	-	2.5	-	-	
CMD, D outputs (referenced to CK) in high-speed/SDR/DDR mode⁽¹⁾						
t _{OV}	Output valid time HS	-	-	7.5	8	ns
t _{OH}	Output hold time HS	-	4.5	-	-	
CMD, D inputs (referenced to CK) in default mode						
t _{ISUD}	Input setup time SD	-	2.5	-	-	ns
t _{IHD}	Input hold time SD	-	2	-	-	
CMD, D outputs (referenced to CK) in default mode						
t _{OVD}	Output valid default time SD	-	-	1	2	ns
t _{OHD}	Output hold default time SD	-	0	-	-	

1. SD-Card 3 V / 1.8 V support on SDMMC3 requires an external voltage translator for which timings must be considered.

2. The minimum window of time where the data needs to be stable for proper sampling in tuning mode.

Table 113. SDMMC characteristics for eMMC usage

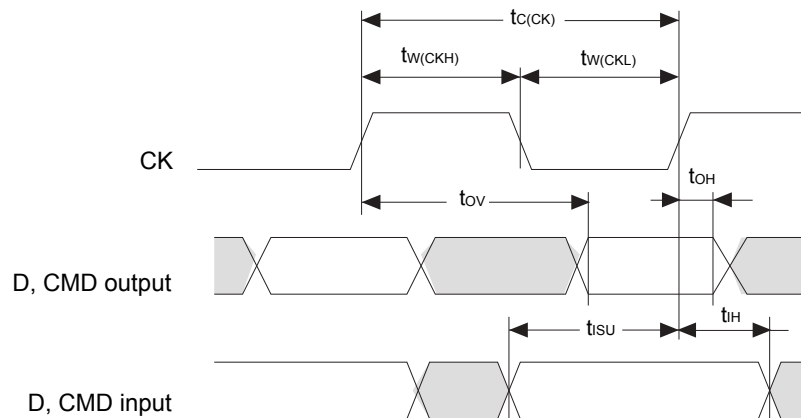
Evaluated by characterization, not tested in production unless otherwise specified.

Symbol	Parameter	Conditions	Min	Typ	Max	Unit
f _{PP}	Clock frequency in data transfer mode. 20 pF load.	V _{DDIOx} = 2.7 V to 3.6 V	0	-	120	MHz
		V _{DDIOx} = 1.71 V to 1.89 V	0	-	166	
clock_ratio	SDMMC_CK/f _{pclk} frequency ratio	-	-	-	8/3	-
t _{W(CKL)}	Clock low time	f _{PP} = 52 MHz	8.5	9.5	-	ns
t _{W(CKH)}	Clock high time	-	8.5	9.5	-	

Symbol	Parameter	Conditions	Min	Typ	Max	Unit
CMD, D inputs (referenced to CK)						
t_{ISU}	Input setup time HS	-	2	-	-	ns
t_{IH}	Input hold time HS	-	2	-	-	
$t_{IDW}^{(1)}$	Input valid window (variable window)	-	2.5	-	-	
CMD, D outputs (referenced to CK)						
t_{OV}	Output valid time HS	-	-	7.5	8	ns
t_{OH}	Output hold time HS	-	4.5	-	-	

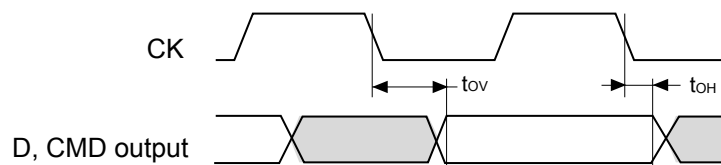
1. The minimum window of time where the data needs to be stable for proper sampling in tuning mode.

Figure 55. SD high-speed mode



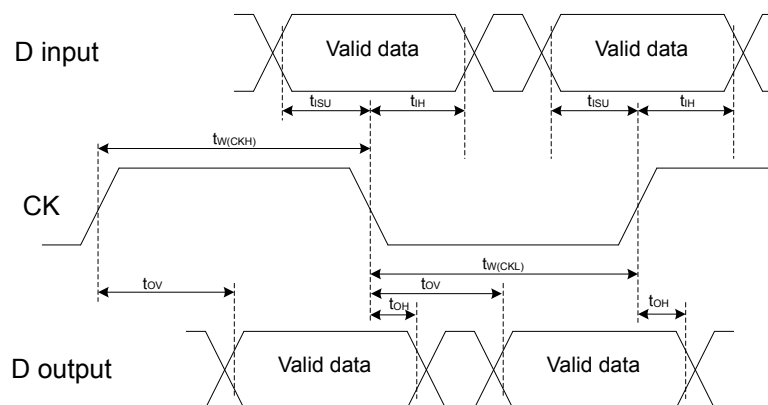
DT69709V1

Figure 56. SD default mode



DT69710V1

Figure 57. SDMMC DDR mode



DT69158V1

6.3.36.7 FDCAN (controller area network) interface

Refer to Section 6.3.16: I/O port characteristics for more details on the input/output alternate function characteristics (FDCANx_TX and FDCANx_RX).

6.3.36.8 Ethernet (ETH) characteristics

Unless otherwise specified, the parameters given in Table 115, Table 116, Table 117, Table 118, and Table 119 for ETH interface are derived from tests performed under the ambient temperature, frequency and supply voltage conditions summarized in Table 17. General operating conditions, with the following configuration:

- Output speed is set to OSPEEDRy[1:0] = 00 (MII or RGMII timings), 11 (MDIO/SMA, RGMII or RGMII-ID timings). OSPEEDRy[1:0] = 11 could be reduced to 10 if experiment give better signal integrity (for example to reduce overshoot/undershoot on light load).
- Capacitive load C = 20 pF
- Measurement points are done at CMOS levels: $0.5 \times V_{DD}$
- I/O compensation cell enabled. For RGMII and RGMII-ID, the IO compensation is fixed to RAPSRC = 8 and RANSRC = 7.
- VDDxVRSEL activated when $V_{DDx} \leq 2.7$ V

Refer to Section 6.3.16: I/O port characteristics for more details on the input/output characteristics.

Table 114. GPIO advance configuration settings used for RGMII and RGMII-ID characterisation

Interface	Mode	Signals	GPIOx_ADVCFGR bits				GPIOx_DELAY field
			RET	INVCLK	DE	DLYPATH	DLY[3:0]
ETH1, ETH2 ⁽¹⁾	RGMII	ETHx_RGMII_RX_CTL	1	0	1	0	0b0000
		ETHx_RGMII_RXD[3:0]					
		ETHx_RGMII_TX_CTL					
		ETHx_RGMII_TXD[3:0]					
		Other ETHx_					
	RGMII_ID (GMAC side internal delays) ⁽²⁾	ETHx_RGMII_RX_CLK	0	0	0	1	0b1101
		ETH1_RGMII_GTX_CLK	0	0	0	0	0b1100
		ETH2_RGMII_GTX_CLK	0	0	0	0	0b1011
		ETHx_RGMII_RX_CTL	1	0	1	0	0b0000
		ETHx_RGMII_RXD[3:0]					
		ETHx_RGMII_TX_CTL					
		ETHx_RGMII_TXD[3:0]					
		Other ETHx_	0	0	0	0	0b0000

1. ETH3 could use same settings as ETH1 or ETH2, except that values are specified by design and not evaluated by characterization nor tested in production.

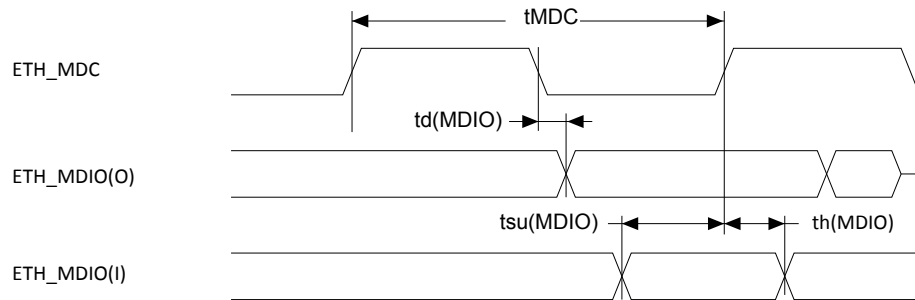
2. Use these settings only if 2ns internal delay is needed for RGMII timings. Delay values could be slightly tuned if required.

Table 115. Ethernet MAC timings for MDIO/SMA

Evaluated by characterization, not tested in production unless otherwise specified.

Symbol	Parameter	Conditions	Min	Typ	Max	Unit
t_{MDC}	MDC cycle time (2.5 MHz)	-	-	400	-	ns
$t_{d(MDIO)}$	Write data valid time	-	0	1	2	
$t_{su(MDIO)}$	Read data setup time	-	8	-	-	

Symbol	Parameter	Conditions	Min	Typ	Max	Unit
$t_h(\text{MDIO})$	Read data hold time	-	0	-	-	ns

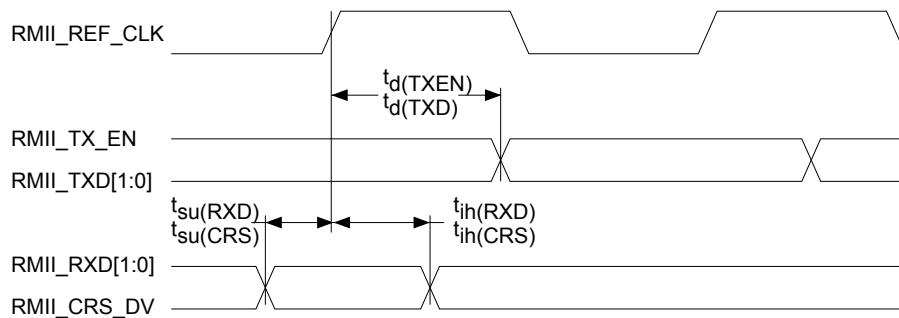
Figure 58. Ethernet MDIO/SMA timing diagram


DT31384V1

Table 116. Ethernet MAC timings for RMII

Evaluated by characterization, not tested in production unless otherwise specified.

Symbol	Parameter	Conditions	Min	Typ	Max	Unit
$t_{su}(\text{RXD})$	Receive data setup time	-	2.5	-	-	ns
$t_{ih}(\text{RXD})$	Receive data hold time	-	1.5	-	-	
$t_{su}(\text{CRS})$	Carrier sense setup time	-	1.5	-	-	
$t_{ih}(\text{CRS})$	Carrier sense hold time	-	1.5	-	-	
$t_d(\text{TXEN})$	Transmit enable valid delay time	-	7.5	11.5	12.5	
$t_d(\text{TXD})$	Transmit data valid delay time	-	7.5	11.5	12.5	

Figure 59. Ethernet RMII timing diagram


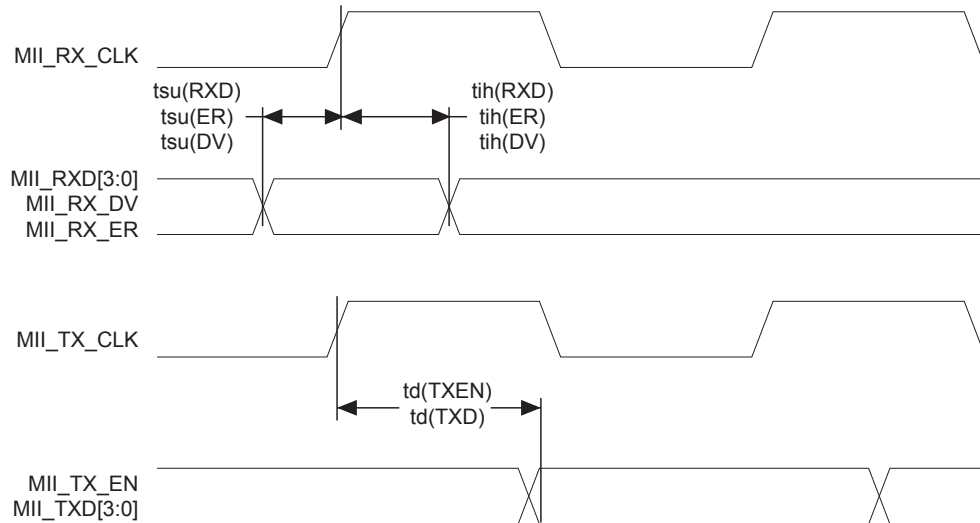
DT15667V1

Table 117. Ethernet MAC timings for MII

Evaluated by characterization, not tested in production unless otherwise specified.

Symbol	Parameter	Conditions	Min	Typ	Max	Unit
$t_{su}(\text{RXD})$	Receive data setup time	-	3.5	-	-	ns
$t_{ih}(\text{RXD})$	Receive data hold time	-	1	-	-	
$t_{su}(\text{DV})$	Data valid setup time	-	2	-	-	
$t_{ih}(\text{DV})$	Data valid hold time	-	1	-	-	
$t_{su}(\text{ER})$	Error setup time	-	1	-	-	

Symbol	Parameter	Conditions	Min	Typ	Max	Unit
$t_{h(ER)}$	Error hold time	-	1	-	-	ns
$t_d(TXEN)$	Transmit enable valid delay time	-	7.5	11	12	
$t_d(TXD)$	Transmit data valid delay time	-	7.5	11	12	

Figure 60. Ethernet MII timing diagram


DT15668V1

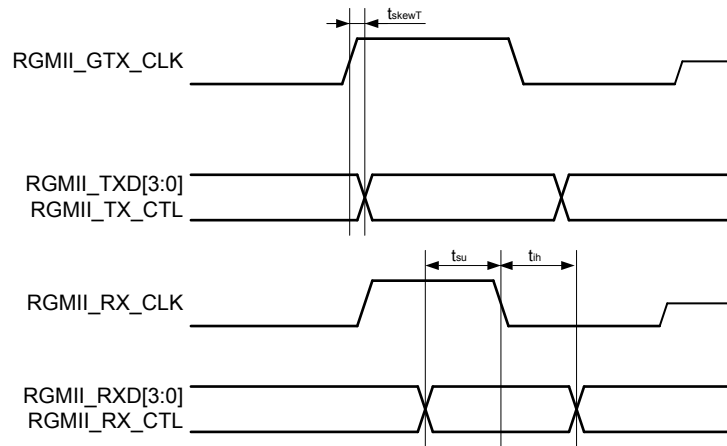
Table 118. Ethernet MAC timings for RGMII

Evaluated by characterization, not tested in production unless otherwise specified.

ETH3 has same characteristics as ETH1 or ETH2, except that values are specified by design and not evaluated by characterization nor tested in production.

Symbol	Parameter	Conditions	Min	Typ	Max	Unit
t_{cyc}	Clock cycle duration	-	7.2	8	8.8	ns
D_{CLK}	GTX_CLK duty cycle	-	45	-	55	%
$t_{su(RXD)}$	Receive data setup time to RX_CLK falling edge	(1)	1	-	-	ns
$t_{h(RXD)}$	Receive data hold time from RX_CLK falling edge	(1)	1	-	-	
$t_{su(RX_CTL)}$	Receive control valid setup time to RX_CLK falling edge	(1)	1	-	-	
$t_{h(RX_CTL)}$	Receive control valid hold time from RX_CLK falling edge	(1)	1	-	-	
$t_{skew(TX_CTL)}$	Transmit control valid delay time from GTX_CLK rising edge	-	-0.5	0.25	0.5	
$t_{skew(TXD)}$	Transmit data valid delay time from GTX_CLK rising edge	-	-0.5	0.25	0.5	

1. Test done at 100 MHz with signal rise and fall time < 1.8 ns.

Figure 61. Ethernet RGMII timing diagram


DT50971V2

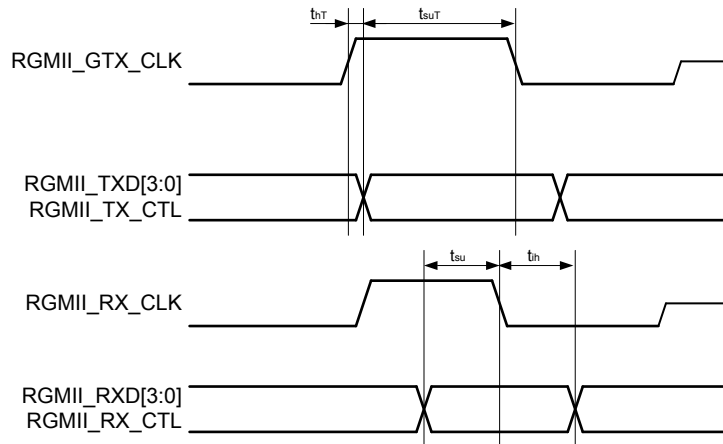
Table 119. Ethernet MAC timings for RGMII_ID

Evaluated by characterization, not tested in production unless otherwise specified.

ETH3 has same characteristics as ETH1 or ETH2, except that values are specified by design and not evaluated by characterization nor tested in production.

Symbol	Parameter	Conditions	Min.	Typ	Max.	Unit
t_{cyc}	Clock cycle duration	-	7.2	8	8.8	ns
D_{CLK}	GTX_CLK duty cycle	-	45	-	55	%
$t_{su(RXD)}$	Receive data setup time to RX_CLK falling edge	(1)	1	-	-	ns
$t_{ih(RXD)}$	Receive data hold time from RX_CLK falling edge	(1)	-	-	0.5	
$t_{su(RX_CTL)}$	Receive control valid setup time to RX_CLK falling edge	(1)	-1	-	-	
$t_{ih(RX_CTL)}$	Receive control valid hold time from RX_CLK falling edge	(1)	-	-	0.5	
$t_{su(TX_CTL)}$	Transmit control valid setup time to GTX_CLK falling edge	-	1.2	-	-	
$t_{su(TXD)}$	Transmit data valid setup time to GTX_CLK falling edge	-	1.2	-	-	
$t_{h(TX_CTL)}$	Transmit control valid hold time from GTX_CLK rising edge	-	1.2	-	-	
$t_{h(TXD)}$	Transmit data valid hold time from GTX_CLK rising edge	-	1.2	-	-	

1. Test done at 100 MHz with signal rise and fall time < 1.8 ns.

Figure 62. Ethernet RGMII-ID timing diagram


DT74178V1

6.3.36.9 USART (SPI mode) interface characteristics

Unless otherwise specified, the parameters given in Table 120 for USART are derived from tests performed under the ambient temperature, frequency and supply voltage conditions summarized in Table 120, with the following configuration:

- Output speed is set to OSPEEDRy[1:0] = 11
- Capacitive load C = 30 pF
- Measurement points are done at CMOS levels: $0.5 \times V_{DD}$
- I/O compensation cell enabled
- VDDxVRSEL activated when $V_{DDx} \leq 2.7$ V

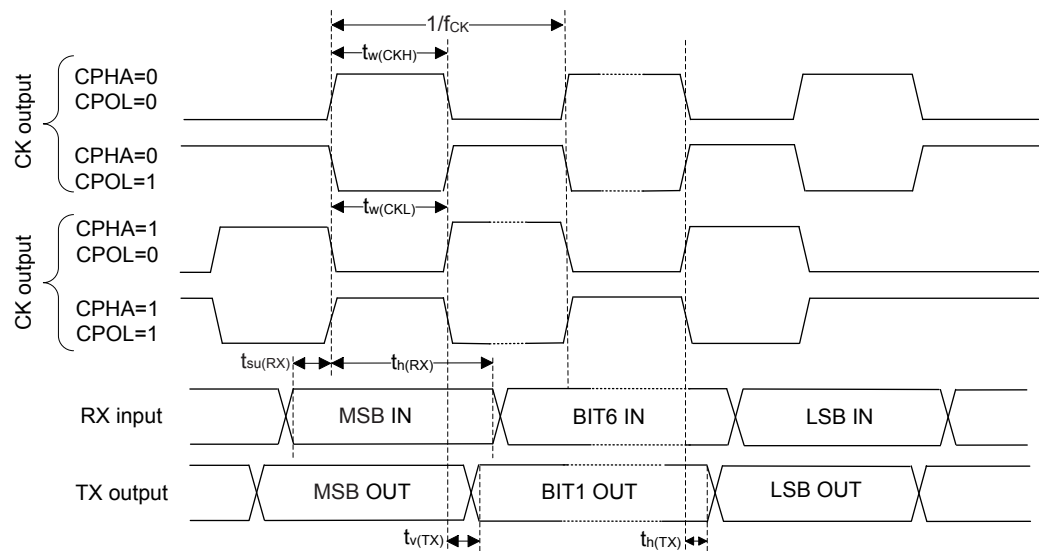
Refer to Section 6.3.16: I/O port characteristics for more details on the input/output alternate function characteristics (NSS, CK, TX, RX for USART).

Table 120. USART (SPI mode) characteristics

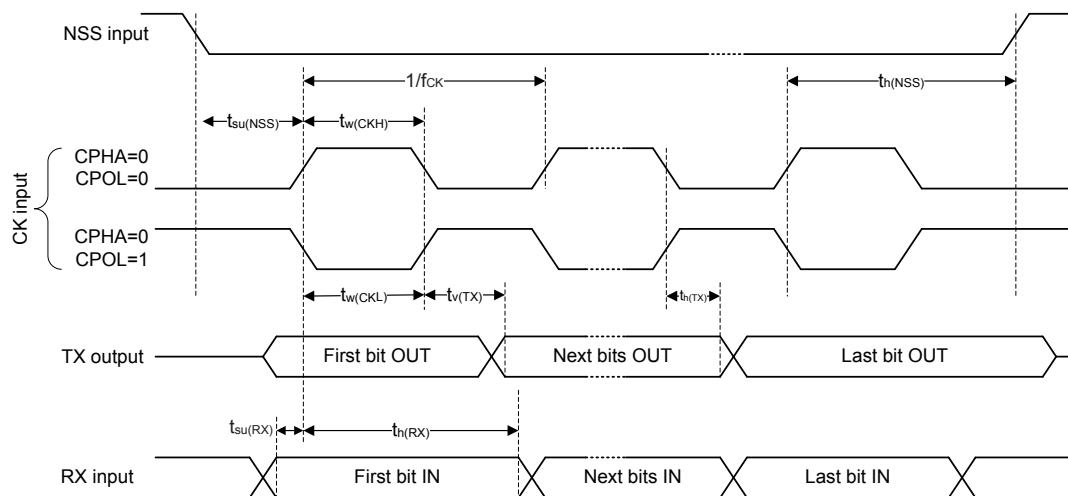
Evaluated by characterization, not tested in production unless otherwise specified.

Symbol	Parameter	Conditions	Min	Typ	Max	Unit
f_{CK}	USART clock frequency	SPI master mode	-	-	16.5	MHz
		SPI slave mode	-	-	33	
		SPI slave receiver mode	-	-	44	
$t_{su(NSS)}$	NSS setup time	SPI slave mode	$t_{ker} + 4^{(1)}$	-	-	ns
$t_h(NSS)$	NSS hold time	SPI slave mode	1	-	-	ns
$t_w(CKH), t_w(CKL)$	CK high and low time	SPI master mode	$1 / f_{CK} / 2 - 1$	$1 / f_{CK} / 2$	$1 / f_{CK} / 2 + 1$	ns
$t_{su(RX)}$	Data input setup time	SPI master mode	13	-	-	ns
		SPI slave mode	5	-	-	
$t_h(RX)$	Data input hold time	SPI master mode	0	-	-	ns
		SPI slave mode	0.5	-	-	
$t_v(TX)$	Data output valid time	SPI slave mode	-	13.5	14	ns
		SPI master mode	-	4	4.5	
$t_h(TX)$	Data output hold time	SPI slave mode	7	-	-	ns
		SPI master mode	1	-	-	

1. t_{ker} is the `usart_ker_ck_pres` clock period defined in the product reference manual.

Figure 63. USART timing diagram in SPI master mode


DT165386V3

Figure 64. USART timing diagram in SPI slave mode


DT165387V3

6.3.37 Embedded PHYs characteristics

6.3.37.1 DDR PHY characteristics

Table 121. DDR PHY characteristics

Specified by design, not tested in production unless otherwise specified.

Symbol	Parameter	Conditions	Min	Typ	Max	Unit
RZQ	External resistor on DDR_ZQ	-	237.6	240	242.4	Ω
DDR4, 2400 Mbit/s, 32-bit, 10 ACx4, 1 Rank, DBI off						
$I_{VDDCORE(DDRPHY)}$ (1)	Supply current on V_{DDCORE}	Read	-	135	235	mA
		Write	-	175	290	
		Idle	-	80.5	165	

Symbol	Parameter	Conditions	Min	Typ	Max	Unit
I _{VDDCORE(DDRPHY)} ⁽¹⁾	Supply current on V _{DDCORE}	DFI_LP	-	26	97.5	mA
		Inactive	-	3.65	70	
		Retention ⁽²⁾	OFF			
I _{VDDA18DDR} ⁽¹⁾	Supply current on V _{DDA18DDR}	Read	-	4.3	-	mA
		Write	-	4.3	-	
		Idle	-	4.3	-	
		DFI_LP	-	4.3	-	
		Inactive	-	0.12	0.16	
		Retention ⁽²⁾	OFF			
I _{VDDQDDR} ⁽¹⁾	Supply current on V _{DDQDDR}	Read	-	415	490	mA
		Write	-	310	360	
		Idle	-	72	84.5	
		DFI_LP	-	2.85	5.5	
		Inactive	-	0.12	1.9	
		Retention ⁽²⁾	-	0.017	1.7	
DDR4, 2400 Mbit/s, 16-bit, 10 ACx4, 1 Rank, DBI off						
I _{VDDCORE(DDRPHY)} ⁽¹⁾	Supply current on V _{DDCORE}	Read	-	93.5	160	mA
		Write	-	115	190	
		Idle	-	65	125	
		DFI_LP	-	22	70	
		Inactive	-	3.65	70	
		Retention ⁽²⁾	OFF			
I _{VDDA18DDR} ⁽¹⁾	Supply current on V _{DDA18DDR}	Read	-	4.3	-	mA
		Write	-	4.3	-	
		Idle	-	4.3	-	
		DFI_LP	-	4.3	-	
		Inactive	-	0.12	0.16	
		Retention ⁽²⁾	OFF			
I _{VDDQDDR} ⁽¹⁾	Supply current on V _{DDQDDR}	Read	-	235	275	mA
		Write	-	180	215	
		Idle	-	37	43	
		DFI_LP	-	1.9	3.6	
		Inactive	-	0.12	1.35	
		Retention ⁽²⁾	-	0.017	1.2	
DDR3L, 2133 Mbit/s, 32-bit, 10 ACx4, 1 Rank						
I _{VDDCORE(DDRPHY)} ⁽¹⁾	Supply current on V _{DDCORE}	Read	-	130	210	mA
		Write	-	170	275	
		Idle	-	76.5	150	
		DFI_LP	-	25	86.5	
		Inactive	-	3.6	60	
		Retention ⁽²⁾	OFF			

Symbol	Parameter	Conditions	Min	Typ	Max	Unit
I _{VDDA18DDR} ⁽¹⁾	Supply current on V _{DDA18DDR}	Read	-	4.3	-	mA
		Write	-	4.3	-	
		Idle	-	4.3	-	
		DFI_LP	-	4.3	-	
		Inactive	-	0.12	0.16	
		Retention ⁽²⁾	OFF			
I _{VDDQDDR} ⁽¹⁾	Supply current on V _{DDQDDR}	Read	-	420	475	mA
		Write	-	475	530	
		Idle	-	71.5	79.5	
		DFI_LP	-	3.25	5.85	
		Inactive	-	0.135	2	
		Retention ⁽²⁾	-	0.0225	1.75	
DDR3L, 2133 Mbit/s, 16-bit, 10 ACx4, 1 Rank						
I _{VDDCORE(DDRPHY)} ⁽¹⁾	Supply current on V _{DDCORE}	Read	-	88.5	145	mA
		Write	-	110	175	
		Idle	-	62.5	115	
		DFI_LP	-	21	62.5	
		Inactive	-	3.6	60	
		Retention ⁽²⁾	OFF			
I _{VDDA18DDR} ⁽¹⁾	Supply current on V _{DDA18DDR}	Read	-	4.3	-	mA
		Write	-	4.3	-	
		Idle	-	4.3	-	
		DFI_LP	-	4.3	-	
		Inactive	-	0.12	0.16	
		Retention ⁽²⁾	OFF			
I _{VDDQDDR} ⁽¹⁾	Supply current on V _{DDQDDR}	Read	-	245	275	mA
		Write	-	270	305	
		Idle	-	39.5	44.5	
		DFI_LP	-	2.15	3.85	
		Inactive	-	0.135	1.4	
		Retention ⁽²⁾	-	0.0225	1.2	
LPDDR4, 2400 Mbit/s, 32-bit, 10 ACx4, 1 Rank, DBI off						
I _{VDDCORE(DDRPHY)} ⁽¹⁾	Supply current on V _{DDCORE}	Read	-	140	245	mA
		Write	-	165	285	
		Idle	-	73	160	
		DFI_LP	-	25	99	
		Inactive	-	3.65	70.5	
		Retention ⁽²⁾	OFF			
I _{VDDA18DDR} ⁽¹⁾	Supply current on V _{DDA18DDR}	Read	-	4.3	-	mA
		Write	-	4.3	-	
		Idle	-	4.3	-	

Symbol	Parameter	Conditions	Min	Typ	Max	Unit
I _{VDDA18DDR} ⁽¹⁾	Supply current on V _{DDA18DDR}	DFI_LP	-	4.3	-	mA
		Inactive	-	0.12	0.16	
		Retention ⁽²⁾	OFF			
I _{VDDQDDR} ⁽¹⁾	Supply current on V _{DDQDDR}	Read	-	125	150	mA
		Write	-	480	545	
		Idle	-	49.5	57.5	
		DFI_LP	-	2.6	4.85	
		Inactive	-	0.11	1.75	
		Retention ⁽²⁾	-	0.0185	1.55	
LPDDR4, 2400 Mbit/s, 16-bit, 10 ACx4, 1 Rank, DBI off						
I _{VDDCORE(DDRPHY)} ⁽¹⁾	Supply current on V _{DDCORE}	Read	-	91	160	mA
		Write	-	110	185	
		Idle	-	59.5	120	
		DFI_LP	-	22	70	
		Inactive	-	3.65	70.5	
		Retention ⁽²⁾	OFF			
I _{VDDA18DDR} ⁽¹⁾	Supply current on V _{DDA18DDR}	Read	-	4.3	-	mA
		Write	-	4.3	-	
		Idle	-	4.3	-	
		DFI_LP	-	4.3	-	
		Inactive	-	0.12	0.16	
		Retention ⁽²⁾	OFF			
I _{VDDQDDR} ⁽¹⁾	Supply current on V _{DDQDDR}	Read	-	110	125	mA
		Write	-	285	325	
		Idle	-	48.5	56	
		DFI_LP	-	1.7	3.2	
		Inactive	-	0.11	1.25	
		Retention ⁽²⁾	-	0.0185	1.1	
Low-power exit latency						
t _{EXIT}	Exit latency from DFI_LP state	-	-	2	-	DFI_CLK
	Exit latency from inactive state	DDR3L, DDR4	-	3	-	μs
		LPDDR4	-	3 + 2560 DDR_CLK	-	
	Exit latency from retention state after supplies restored	DDR3L, DDR4	-	3	-	
LPDDR4		-	3 + 2560 DDR_CLK	-		

1. Evaluated by characterization, not tested in production.

2. V_{DDCORE} OFF, V_{DDA18DDR} OFF.

6.3.37.2 DSI PHY characteristics
Table 122. DSI PHY characteristics

Specified by design, not tested in production unless otherwise specified.

Symbol	Parameter	Conditions	Min	Typ	Max	Unit	
f_{CK}	DSI link clock frequency	High-Speed mode (HS)	40	-	1250	MHz	
rate	Data rate per lane	High-Speed mode (HS)	80	-	2500	Mbit/s	
UI	Unit interval	equal to $0.5 / f_{CK}$ (HS)	0.4	-	12.5	ns	
R_{EXT}	External resistor on REXT	Connected to ground	198	200	202	Ω	
$I_{VDDCORE(DSIPHY)}^{(1)}$	Supply current on $V_{DDCORE}^{(2)}$	High-Speed Transmit ⁽³⁾	4 lanes at 1 Gbit/s	-	1.55	9.6	mA
			4 lanes at 1.5 Gbit/s	-	2.05	11	
			4 lanes at 2 Gbit/s	-	2.55	11.5	
			4 lanes at 2.5 Gbit/s	-	3.05	12.5	
		LP Transmit	Lane 0 at 10 Mbit/s, PLL at 2.5 Gbit/s	-	2.05	10.5	
		ULPS Transmit	PLL disabled	-	0.155	8.05	
$I_{VDDA18DSI}$	Supply current on $V_{DDA18DSI}^{(2)}$	High-Speed Transmit ⁽³⁾	4 lanes	-	5.35	9.55	mA
		LP Transmit	Lane 0 at 10 Mbit/s, PLL at 2.5 Gbit/s	-	3.85	5.05	
		ULPS Transmit	PLL disabled	-	0.0155	0.0385	
I_{VDDDSI}	Supply current on V_{DDDSI}	High-Speed Transmit ⁽³⁾	4 lanes at 1 Gbit/s	-	14.5	19	mA
			4 lanes at 1.5 Gbit/s	-	17	23	
			4 lanes at 2 Gbit/s	-	19.5	26.5	
			4 lanes at 2.5 Gbit/s	-	22.5	30	
		LP Transmit	Lane 0 at 10 Mbit/s, PLL at 2.5 Gbit/s	-	7.45	10.5	
		ULPS Transmit	PLL disabled	-	0.0505	0.805	

1. Evaluated by characterization, not tested in production.

2. Values include PLL power consumption.

3. HS mode: assume PRBS9 pattern on data lanes and 100% occupation; that is, continuous HS.

6.3.37.3 CSI PHY characteristics
Table 123. CSI PHY characteristics

Specified by design, not tested in production unless otherwise specified.

Symbol	Parameter	Conditions	Min	Typ	Max	Unit	
R_{EXT}	External resistor on REXT	Connected to ground	198	200	202	Ω	
$I_{VDDCORE(CSIPHY)}^{(1)}$	Supply current on V_{DDCORE}	High-speed receive ⁽²⁾	2 lanes at 1 Gbit/s	-	2.8	12	mA
			2 lanes at 1.5 Gbit/s	-	3.7	13	
			2 lanes at 2 Gbit/s	-	4.7	14.5	
			2 lanes at 2.5 Gbit/s	-	5.7	15.5	
		LP receive	Lane 0 at 10 Mbit/s	-	0.71	8	
		ULPS receive	ck_ker_csi2phy stopped	-	0.35	8.4	
$I_{VDDA18CSI}^{(1)}$	Supply current on $V_{DDA18CSI}$	High-speed receive ⁽²⁾	2 lanes at 1 Gbit/s	-	2.2	2.85	mA

Symbol	Parameter	Conditions	Min	Typ	Max	Unit	
I _{VDDA18CSI} ⁽¹⁾	Supply current on V _{DDA18CSI}	High-speed receive ⁽²⁾	2 lanes at 1.5 Gbit/s	-	2.3	3	mA
			2 lanes at 2 Gbit/s	-	2.6	3.35	
			2 lanes at 2.5 Gbit/s	-	2.6	3.35	
		LP receive	Lane 0 at 10 Mbit/s	-	1.7	2.3	
		ULPS receive	ck_ker_csi2phy stopped	-	0.015	0.1	
I _{VDDCSI} ⁽¹⁾	Supply current on V _{DDCSI}	High-speed receive ⁽²⁾	2 lanes at 1 Gbit/s	-	3.95	5.1	mA
			2 lanes at 1.5 Gbit/s	-	4.5	5.8	
			2 lanes at 2 Gbit/s	-	3.8	5.5	
			2 lanes at 2.5 Gbit/s	-	4.3	6	
		LP receive	Lane 0 at 10 Mbit/s	-	0.9	1.5	
		ULPS receive	ck_ker_csi2phy stopped	-	0.04	0.6	

1. Evaluated by characterization, not tested in production.

2. HS mode: assume PRBS9 pattern on data lanes and 100% occupation; that is, continuous HS.

6.3.37.4 LVDS PHY characteristics

Table 124. LVDS PHY characteristics

Evaluated by characterization, not tested in production unless otherwise specified.

Symbol	Parameter	Conditions	Min	Typ	Max	Unit
LVDS lane characteristics						
V _{OH}	Output voltage high	-(1)	1350	1400	1450	mV
V _{OL}	Output voltage low	-(1)	995	1000	1050	mV
V _{OD}	Output differential voltage	-(1)	340	370	420	mV
V _{OS}	Output offset voltage	-(1)	1150	1200	1250	mV
R _O	Output impedance, single ended	-(1)	44	60.5	76.5	Ω
ΔR _O	Ro mismatch between P and N output	-	-	-	8	%
ΔV _{OD}	Change in V _{OD} between 0 and 1	-	0.42	-	2.6	mV
ΔV _{OS}	Change in V _{OS} between 0 and 1	-(1)	0.22	2.55	26	mV
I _S	Output current (drawn from V _{DDA18LVDS})	Static current on 100Ω differential load	2.6	3.3	3.6	mA
		Outputs shorted to ground	11	15	24	mA
		Outputs shorted together	2.25	3.25	8.05	mA
t _f	V _{OD} fall time, 20 – 80% ⁽³⁾⁽⁴⁾	-(1)	205	245	320	ps
t _r	V _{OD} rise time, 20 – 80% ⁽³⁾⁽⁴⁾	-(1)	205	255	320	ps
ppV _{OD}	Dynamic output signal balance ⁽³⁾⁽⁴⁾	-(2)	41	72	125	mV
LVDS bandgap characteristics						
I _{VDDA18LVDS}	Bandgap supply current on V _{DDA18LVDS}	-	-	0.805	1.25	mA
I _{VDDLVS}	Bandgap supply current on V _{DVLVS}	-	-	3.25	3.95	mA

1. Steady state (~ DC level) at lowest possible data rate (2 Mbit/s) with both voltage and current driver enabled.

2. At maximum speed with both voltage and current driver enabled.

3. Loading conditions are: two 50Ω resistors, two 2.5 pF caps at each output, one 2.5 pF cap at middle point.

4. Specification for default configuration (no pre-emphasis).

6.3.37.5 USB2PHY characteristics
Table 125. USB high-speed PHY characteristics

Specified by design, not tested in production unless otherwise specified.

Symbol	Parameter	Conditions	Min	Typ	Max	Unit
R _{TXRTUNE}	External resistor on TXRTUNE	Connected to ground	198	200	202	Ω
I _{VDDCORE(USB2 PHY)} ⁽¹⁾	Supply current on V _{DDCORE}	HS transmit, maximum transition density ⁽²⁾	-	10	27	mA
		HS transmit, minimum transition density ⁽³⁾	-	8.15	23.5	
		HS idle ⁽⁴⁾	-	9.25	23	
		FS transmit, maximum transition density ⁽⁵⁾	-	9.2	27.5	
		LS transmit, maximum transition density ⁽⁶⁾	-	7.85	20	
		Suspend ⁽⁷⁾	-	0.038	6.05	
		Sleep ⁽⁸⁾	-	2.45	13	
		Battery charging	V _{DATDETENB} = 0, V _{DATSRCENB} = 1 ⁽⁹⁾	-	2.4	
V _{DATDETENB} = 1, V _{DATSRCENB} = 1	-		4.75	15.5		
I _{VDDA18USB} ⁽¹⁾	Supply current on V _{DDA1V8USB}	HS transmit, maximum transition density ⁽²⁾	-	16.5	18.5	mA
		HS transmit, minimum transition density ⁽³⁾	-	14.5	15.5	
		HS idle ⁽⁴⁾	-	4.9	5.85	
		FS transmit, maximum transition density ⁽⁵⁾	-	4.9	5.9	
		LS transmit, maximum transition density ⁽⁶⁾	-	5.1	6.15	
		Suspend ⁽⁷⁾	-	0.024	0.0945	
		Sleep ⁽⁸⁾	-	0.031	0.0945	
		Battery charging	V _{DATDETENB} = 0, V _{DATSRCENB} = 1 ⁽⁹⁾	-	3.55	
V _{DATDETENB} = 1, V _{DATSRCENB} = 1	-		4.3	5.4		
I _{VDD33USB} ⁽¹⁾	Supply current on V _{DD33USB}	HS transmit, maximum transition density ⁽²⁾	-	3.05	3.2	mA
		HS transmit, minimum transition density ⁽³⁾	-	2.2	2.55	
		HS idle ⁽⁴⁾	-	2.1	2.4	
		FS transmit, maximum transition density ⁽⁵⁾	-	12.5	16	
		LS transmit, maximum transition density ⁽⁶⁾	-	12	16.5	
		Suspend ⁽⁷⁾	-	0.029	0.0785	
		Sleep ⁽⁸⁾	-	0.067	0.115	
		Battery charging	V _{DATDETENB} = 0, V _{DATSRCENB} = 1 ⁽⁹⁾	-	2.1	
V _{DATDETENB} = 1, V _{DATSRCENB} = 1	-		2.1	2.4		

1. Evaluated by characterization, not tested in production.

2. Packet transmission by one transceiver operating in device mode while driving all 0s data (constant JKJK on DP/DM). Loading of 10 pF. Transfers do not include any interpacket delay.

3. Packet transmission by one transceiver operating in device mode while driving all 1s data (alternating 7-bit strings of J, then K on DP/DM). Loading of 10 pF. Transfers do not include any interpacket delay.

4. HS receive mode with no traffic on the line.
5. Packet transmission by one transceiver operating in device mode while driving all 0s data (constant JKJK on DP/DM). Loading of 50 pF. Transfers do not include any interpacket delay.
6. Packet transmission by one transceiver operating in host mode while driving all 0s data (constant JKJK on DP/DM). Loading of 600 pF. Transfers do not include any interpacket delay.
7. Suspend when operating in device mode with no far-side host termination on DP/DM during measurements. Measurements taken when COMMONONN (SYSCFG_USB2PHYxCR.USB2PHYxCMN) is deasserted.
8. Sleep mode when operating in device mode with no far-side host termination on DP/DM during measurements.
9. PHY is in suspend (with clocks turned OFF), non-driving mode and operating as a portable device in the 'dead battery' condition.

6.3.37.6 COMBOPHY characteristics
Table 126. COMBOPHY characteristics

Evaluated by characterization, not tested in production unless otherwise specified.

Symbol	Parameter	Conditions	Min	Typ	Max	Unit	
REXT ⁽¹⁾	External resistor on REXT	Connected to ground	198	200	202	Ω	
I _{VDDCOMBOPHY}	Supply current on V _{DDCOMBOPHY}	P0 mode	5 Gbit/s	-	23.5	38	mA
			2.5 Gbit/s	-	14	37.5	
		P0s mode	5 Gbit/s	-	16.5	33	
			2.5 Gbit/s	-	13	28	
		P1 mode	5 Gbit/s	-	9.7	24.5	
			2.5 Gbit/s	-	9.7	24.5	
		P1.CPM	-	-	1.45	14.5	
		P1.1	-	-	0.215	12.5	
		P1.2	-	-	0	12	
		P2	-	-	9.6	15	
P2.CPM	-	-	1.2	14			
Power down	-	-	0.15	13			
I _{VDDCOMBOPHYTX}	Supply current on V _{DDCOMBOPHYTX}	P0 mode	5 Gbit/s	-	11	14	mA
			2.5 Gbit/s	-	6.4	8.9	
		P0s mode	5 Gbit/s	-	1.4	2.4	
			2.5 Gbit/s	-	1.4	2.4	
		P1 mode	5 Gbit/s	-	1.4	2.4	
			2.5 Gbit/s	-	1.4	2.4	
		P1.CPM	-	-	1.45	2.4	
		P1.1	-	-	1.45	2.4	
		P1.2	-	-	0.005	0.405	
		P2	-	-	1.45	1.9	
P2.CPM	-	-	0.005	0.41			
Power down	-	-	0.01	0.425			
I _{VDDA18COMBOPHY}	Supply current on V _{DDA18COMBOPHY}	P0 mode	5 Gbit/s	-	25	29	mA
			2.5 Gbit/s	-	17.5	24	
		P0s mode	5 Gbit/s	-	14.5	20.5	
			2.5 Gbit/s	-	14	19.5	
		P1 mode	5 Gbit/s	-	8.4	11.5	

Symbol	Parameter	Conditions	Min	Typ	Max	Unit	
I _{VDDA18COMBOPHY}	Supply current on V _D DA18COMBOPHY	P1 mode	2.5 Gbit/s	-	8.4	11.5	mA
		P1.CPM	-	-	2.35	2.75	
		P1.1	-	-	2.2	2.55	
		P1.2	-	-	0.375	0.785	
		P2	-	-	14	16.5	
		P2.CPM	-	-	0.54	0.985	
		Power down	-	-	0.01	0.0305	
N _{F_{TS}} ⁽¹⁾	Minimum number of FTS ordered sets that must be sent for retraining when transitioning from P0s to P0		48	-	-	FTS	
t _{P0s_to_P0}	Time from pipe powerdown change to P0	5 Gbit/s	-	-	48	ns	
		2.5 Gbit/s	-	-	96		
t _{P1_to_P0}	Time from pipe powerdown change to P0	5 Gbit/s	-	-	0.9	μs	
		2.5 Gbit/s	-	-	1.8		
t _{P2_to_P0}	Time from pipe powerdown change to P0	100 MHz reference clock	-	-	260	μs	
t _{P0_to_P2}	Time from pipe powerdown change to P2	-	-	-	250	ns	
t _{P2_to_P1}	Time from pipe powerdown change to P1	100 MHz reference clock	-	-	255	μs	
t _{Reset_to_ready}	Time from pipe reset de-assertion to PHY acknowledgment	100 MHz reference clock	-	-	255	-	
t _{MPLL_lock}	Time from phy_mpll_en assertion to when phy_mpll_state is high	100 MHz reference clock	-	-	15	μs	
t _{Resistor_tuning}	Time to complete a resistor tune	-	-	-	8	-	
t _{Common_mode}	Time to establish Common mode when exiting reset or P2 state		-	-	240	μs	
t _{P1.1_to_P1}	Time from macN_pclkreq_n assertion to pipeN_clkreq_n assertion		-	-	15	-	
t _{P1.2_to_P1}	Time from macN_pclkreq_n assertion to pipeN_clkreq_n assertion		-	-	15	μs	
t _{P1.2_to_P1_to_P0}	Time from macN_pclkreq_n assertion to pipeN_clkreq_n assertion and pipeN_powerdown request to P0 until PHY acknowledgment		-	-	16.8	-	
t _{P1.CPM_to_P1}	Time from macN_pclkreq_n assertion to pipeN_clkreq_n assertion		-	-	15	μs	
t _{COMMON_MODE_REC}	Time for the Common mode voltage to be reached on pins while transmitting in Recovery mode. This parameter applies to an exit from P1.2 through P1 to P0 (Recovery) and represents the extra time in which the MAC is required to send TS1 ordered sets.		-	-	55	μs	

1. Specified by design, not tested in production.

Table 127. PCIE REFCLKGEN characteristics

Evaluated by characterization, not tested in production unless otherwise specified.

Symbol ⁽¹⁾	Parameter	Conditions	Min	Typ	Max	Unit
I _{VDDPCIECLK}	Power consumption on V _{DD} PCIECLK	100 MHz clock	-	-	3	mA
Z _O	Single ended output impedance	IMP_CTRL = 0b11000	52	61	70	Ω
		IMP_CTRL = 0b11001	48	56.5	65	
		IIMP_CTRL = 0b11010	45	53	64	
		IMP_CTRL = 0b11011 (default)	42	49.5	57.5	
		IMP_CTRL = 0b11100	40	47	54	

Symbol ⁽¹⁾	Parameter	Conditions	Min	Typ	Max	Unit
Z _O	Single ended output impedance	IMP_CTRL = 0b11101	37.5	44.5	51	Ω
		IMP_CTRL = 0b11110	35.5	42	48.5	
		IMP_CTRL = 0b11111	34	40	46	
V _{SWING}	Singled ended swing in % of V _{DDPCIECLK}	IMP_CTRL[4:3] = 0b00000	-	55	-	%
		IMP_CTRL[4:3] = 0b01000	-	70	-	
		IMP_CTRL[4:3] = 0b10000	-	85	-	
		IMP_CTRL[4:3] = 0b11000	-	100	-	
		IMP_CTRL[4:3] = 0b00001	-	66	-	
		IMP_CTRL[4:3] = 0b01001	-	77	-	
		IMP_CTRL[4:3] = 0b10001	-	89	-	
		IMP_CTRL[4:3] = 0b11001	-	100	-	
		IMP_CTRL[4:3] = 0b00010	-	61	-	
		IMP_CTRL[4:3] = 0b01010	-	74	-	
		IMP_CTRL[4:3] = 0b10010	-	87	-	
		IMP_CTRL[4:3] = 0b11010	-	100	-	
		IMP_CTRL[4:3] = 0b00011	-	70	-	
		IMP_CTRL[4:3] = 0b01011	-	90	-	
		IMP_CTRL[4:3] = 0b10011	-	80	-	
		IMP_CTRL[4:3] = 0b11011 (default)	-	100	-	
		IMP_CTRL[4:3] = 0b00100	-	58	-	
		IMP_CTRL[4:3] = 0b01100	-	70	-	
		IMP_CTRL[4:3] = 0b10100	-	85	-	
		IMP_CTRL[4:3] = 0b11100	-	100	-	
		IMP_CTRL[4:3] = 0b00101	-	68	-	
		IMP_CTRL[4:3] = 0b01101	-	79	-	
		IMP_CTRL[4:3] = 0b10101	-	90	-	
		IMP_CTRL[4:3] = 0b11101	-	100	-	
		IMP_CTRL[4:3] = 0b00110	-	64	-	
		IMP_CTRL[4:3] = 0b01110	-	76	-	
IMP_CTRL[4:3] = 0b10110	-	88	-			
IMP_CTRL[4:3] = 0b11110	-	100	-			
IMP_CTRL[4:3] = 0b00111	-	71	-			
IMP_CTRL[4:3] = 0b01111	-	80	-			
IMP_CTRL[4:3] = 0b10111	-	90	-			
IMP_CTRL[4:3] = 0b11111	-	100	-			
t _r /t _f	Rise and Fall time ^{(2) (3) (4)}		0.6	-	4	V/ns
V _{CROSS}	Absolute crossing point voltage ⁽⁵⁾⁽⁶⁾⁽⁷⁾		250	400	550	mV
ΔV _{CROSS}	Variation of V _{CROSS} over all rising clock edges ⁽⁵⁾⁽⁶⁾⁽⁸⁾		-	-	140	mV
Duty_Cycle	Duty cycle ⁽²⁾		40	50	60	%
Matching	Rising edge rate to falling edge rate matching ⁽⁵⁾⁽⁹⁾		-	-	20	%

1.

2. *PCIE_CLKOUTP and PCIE_CLKOUTN are to be measured at the load capacitors CL. Single ended probes must be used for measurements requiring single ended measurements. Either single ended probes with math or differential probe can be used for differential measurements. Test load CL = 2 pF.*
3. *Measured from -150 mV to +150 mV on the differential waveform (derived from PCIE_CLKOUTP minus PCIE_CLKOUTN). The signal must be monotonic through the measurement region for rise and fall time. The 300-mV measurement window is centered on the differential zero crossing.*
4. *Measurement taken from differential waveform.*
5. *Refers to the total variation from the lowest crossing point to the highest, regardless of which edge is crossing. Refers to all crossing points for this measurement.*
6. *Measured at crossing point where the instantaneous voltage value of the rising edge of PCIE_CLKOUTP equals the falling edge of PCIE_CLKOUTN.*
7. *Measurement taken from single ended waveform.*
8. *Defined as the total variation of all crossing voltages of rising PCIE_CLKOUTP and falling PCIE_CLKOUTN. This is the maximum allowed variance in V_{CROSS} for any system.*
9. *Matching applies to rising edge rate for PCIE_CLKOUTP and falling edge rate for PCIE_CLKOUTN. It is measured using a ± 75 mV window centered on the median cross point where PCIE_CLKOUTP rising meets PCIE_CLKOUTN falling. The median cross point is used to calculate the voltage thresholds the oscilloscope is to use for the edge rate calculations. The rise edge rate of PCIE_CLKOUTP must be compared to the fall edge rate of PCIE_CLKOUTN, the maximum allowed difference must not exceed 20% of the slowest edge rate.*

6.3.37.7 UCPDPHY characteristics

Table 128. UCPDPHY characteristics

Evaluated by characterization, not tested in production unless otherwise specified.

Symbol	Parameter	Conditions	Min	Typ	Max	Unit
f _{BITRATE}	Bit rate (ensured by adequate RCC and UCPD settings)		270	300	330	Kbps
C _{RECEIVER}	Local capacitance added on PCB on each CC line		200	470	600	pF
TRANSMITTER						
V _{SWING}	Voltage swing applies on CC pin to both no load condition and under the load condition.		1.05	1.125	1.2	V
Z _{DRIVER}	TX output impedance. Source output impedance at the Nyquist frequency of USB2.0 low speed (750 kHz) while the source is driving the CC line.		33	-	75	Ω
T _r / T _f	Rise / Fall Time. 10% to 90% / 90% to 10% amplitude points, minimum is under an unloaded condition. Maximum set by TX mask.		300	-	735	ns
DCYCLE	TX duty cycle at 0.5625 V (see Y5Tx , BMC Tx 'ONE' mask and BMC Tx 'ZERO' mask in the PD Specification) ⁽¹⁾		47	-	53	%
RECEIVER						
V _{IL}	Rx receive input thresholds. The position of the center line of the inner mask is dependent on whether the receiver is sourcing or sinking power or is power neutral ⁽¹⁾	sourcing power	-	-	0.4825	V
V _{IH}			0.8925	-	-	
V _{IL}		sinking power	-	-	0.2325	V
V _{IH}			0.6425	-	-	
Hysteresis	Rx receive input hysteresis		0.15	-	-	
N _{COUNT} ⁽²⁾	Number of transitions for signal detection (number to count to detect non-idle bus).		3	-	-	-
t _{TRANWIN} ⁽²⁾	Time window for detecting non-idle bus.		12	-	20	μs
Z _{BMCRX} ⁽³⁾	Receiver input impedance		1	-	-	MΩ

1. *Refer to the "USB Power Delivery (PD) Specification" Revision 3.1, Version 1.8.*
2. *BMC packet collision is avoided by the detection of signal transitions at the receiver. Detection is active when a minimum of N_{COUNT} transitions occur at the receiver within a time window of t_{TRANWIN}. After waiting t_{TRANWIN} without detecting N_{COUNT} transitions, the bus is declared idle. These times are informative for UCPDPHY as it is done digitally inside UCPD Peripheral.*
3. *Does not include pull-up or pull-down resistance from cable detect. Transmitter is Hi-Z.*

6.3.38 JTAG/SWD interface characteristics

Unless otherwise specified, the parameters given in Table 129 and Table 130 for JTAG/SWD are derived from tests performed under the ambient temperature, frequency and V_{DD} supply voltage summarized in Table 17. General operating conditions, with the following configuration:

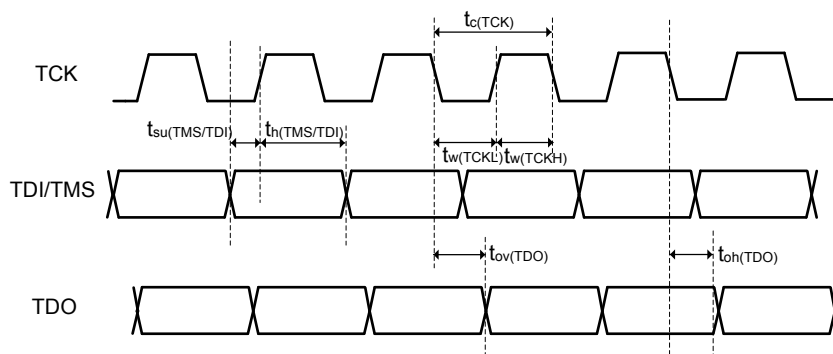
- Output speed is set to OSPEEDRy[1:0] = 01
- Capacitive load $C = 30$ pF
- Measurement points are done at CMOS levels: $0.5 \times V_{DD}$
- I/O compensation cell enabled
- VDDxVRSEL activated when $V_{DDx} \leq 2.7$ V

Refer to Section 6.3.16: I/O port characteristics for more details on the input/output characteristics.

Table 129. JTAG dynamic characteristics

Evaluated by characterization, not tested in production unless otherwise specified.

Symbol	Parameter	Conditions	Min	Typ	Max	Unit
F_{pp}	TCK clock frequency	-	-	-	45	MHz
$1/t_c(\text{TCK})$						
$t_{su}(\text{TMS})$	TMS input setup time	-	2	-	-	ns
$t_{ih}(\text{TMS})$	TMS input hold time	-	1	-	-	
$t_{su}(\text{TDI})$	TDI input setup time	-	3	-	-	
$t_{ih}(\text{TDI})$	TDI input hold time	-	0.5	-	-	
$t_{ov}(\text{TDO})$	TDO output valid time	-	-	9	11	
$t_{oh}(\text{TDO})$	TDO output hold time	-	7	-	-	

Figure 65. JTAG timing diagram


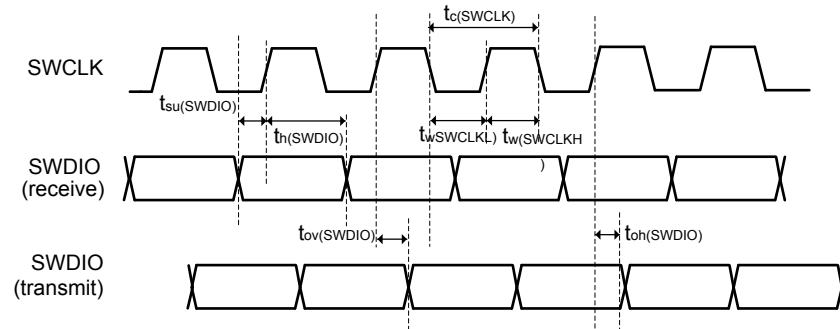
DT40458V1

Table 130. SWD dynamic characteristics

Evaluated by characterization, not tested in production unless otherwise specified.

Symbol	Parameter	Conditions	Min	Typ	Max	Unit
F_{pp}	SWCLK clock frequency	-	-	-	80	MHz
$1/t_c(\text{SWCLK})$						
$t_{su}(\text{SWDIO})$	SWDIO input setup time	-	1.5	-	-	ns
$t_{ih}(\text{SWDIO})$	SWDIO input hold time	-	2.5	-	-	
$t_{ov}(\text{SWDIO})$	SWDIO output valid time	-	-	9	12.5	
$t_{oh}(\text{SWDIO})$	SWDIO output hold time	-	5	-	-	

Figure 66. SWD timing diagram



DT40459V1

7 Package information

In order to meet environmental requirements, ST offers these devices in different grades of **ECOPACK** packages, depending on their level of environmental compliance. ECOPACK specifications, grade definitions and product status are available at: www.st.com. ECOPACK is an ST trademark.

7.1 Device marking

Refer to technical note "Reference device marking schematics for STM32 microcontrollers and microprocessors" (TN1433) available on www.st.com, for the location of pin 1 / ball A1 as well as the location and orientation of the marking areas versus pin 1 / ball A1.

Parts marked as "ES", "E" or accompanied by an engineering sample notification letter, are not yet qualified and therefore not approved for use in production. ST is not responsible for any consequences resulting from such use.

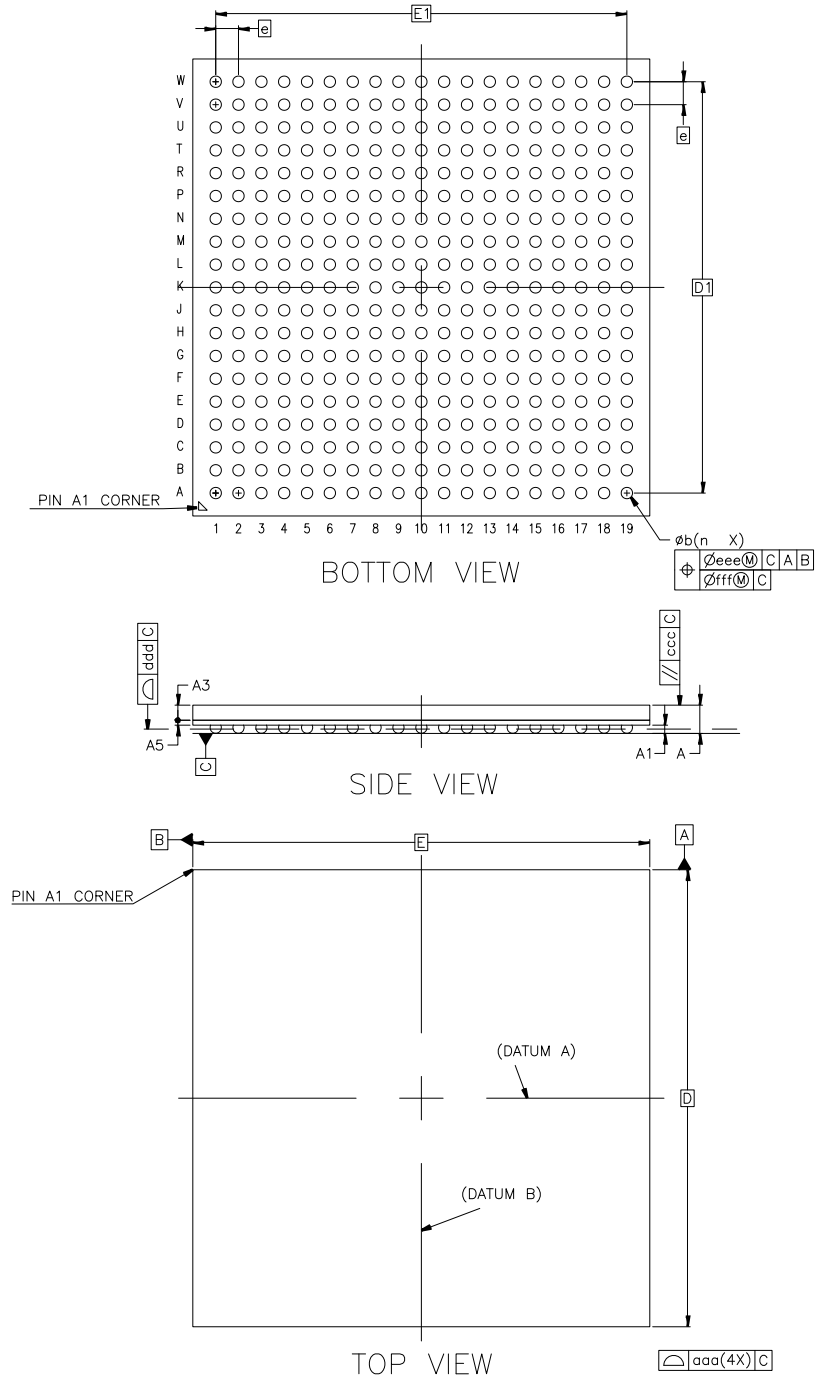
In no event will ST be liable for the customer using any of these engineering samples in production. ST's Quality department must be contacted prior to any decision to use these engineering samples to run a qualification activity.

A WLCSP simplified marking example (if any) is provided in the corresponding package information subsection.

7.2 TFBGA361 package information (B0N8)

This TFBGA is a 361-ball, 16 x 16 mm thin fine pitch ball grid array package.

Figure 67. TFBGA361 - Outline



B0N8_TFBGA361_ME_V1

1. Drawing is not to scale.

Table 131. TFBGA361 - Mechanical data

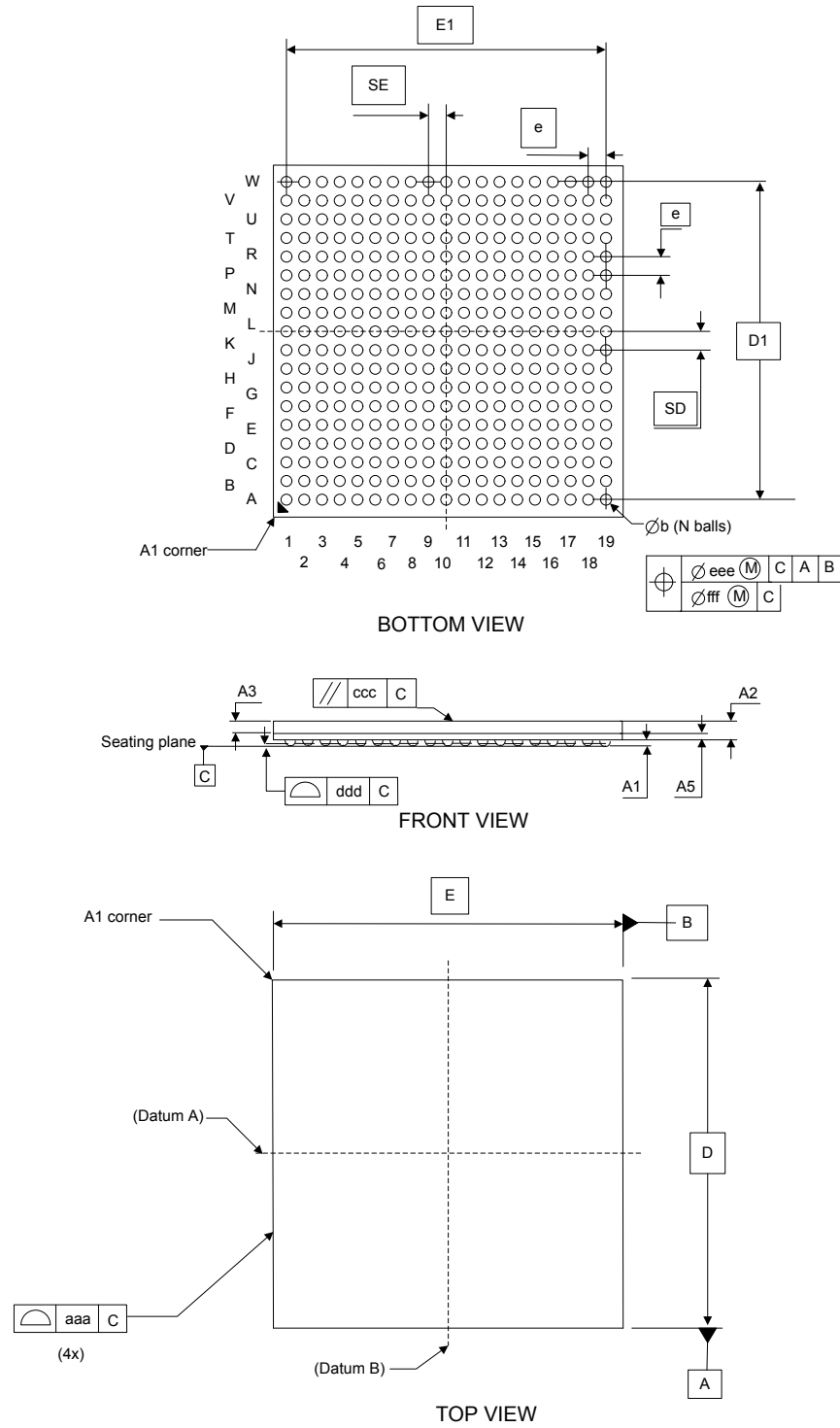
Symbol	millimeters			inches ⁽¹⁾		
	Min	Typ	Max	Min	Typ	Max
A ⁽²⁾	-	-	1.20	-	-	0.0472
A1 ⁽³⁾	0.24	-	-	0.0094	-	-
A2	-	0.70	-	-	0.0276	-
b ⁽⁴⁾	0.38	0.43	0.48	0.0150	0.0169	0.0189
D	16.00 BSC ⁽⁵⁾			0.6299 BSC		
D1	14.40 BSC			0.5669 BSC		
E	16.00 BSC			0.6299 BSC		
E1	14.40 BSC			0.5669 BSC		
e ⁽⁶⁾	0.80 BSC			0.0315 BSC		
N ⁽⁷⁾	361					
SD	0.80 BSC			0.0315 BSC		
SE	0.80 BSC			0.0315 BSC		
aaa ⁽⁸⁾	0.15 BSC			0.0059 BSC		
ccc ⁽⁸⁾	0.20 BSC			0.0079 BSC		
ddd ⁽⁸⁾	0.15 BSC			0.0059 BSC		
eee ⁽⁸⁾	0.15 BSC			0.0059 BSC		
fff ⁽⁸⁾	0.08 BSC			0.0031 BSC		

1. Values in inches are converted from mm and rounded to four decimal digits.
2. The profile height, A, is the distance from the seating plane to the highest point on the package. It is measured perpendicular to the seating plane.
3. A1 is defined as the distance from the seating plane to the lowest point on the package body.
4. Dimension b is measured at the maximum diameter of the terminal (ball) in a plane parallel to primary datum C.
5. BSC stands for BASIC dimensions. It corresponds to the nominal value and has no tolerance.
6. e represents the solder ball grid pitch.
7. N represents the total number of balls on the BGA.
8. Tolerance of form and position definitions.

7.3 VFBGA361 package information (B09U)

This VFBGA is a 361-ball, 10 x 10 mm, very thin fine pitch ball grid array package.

Figure 68. VFBGA361 - Outline



E09U_VFBGA361_ME_V1

Table 132. VFBGA361 - Mechanical data

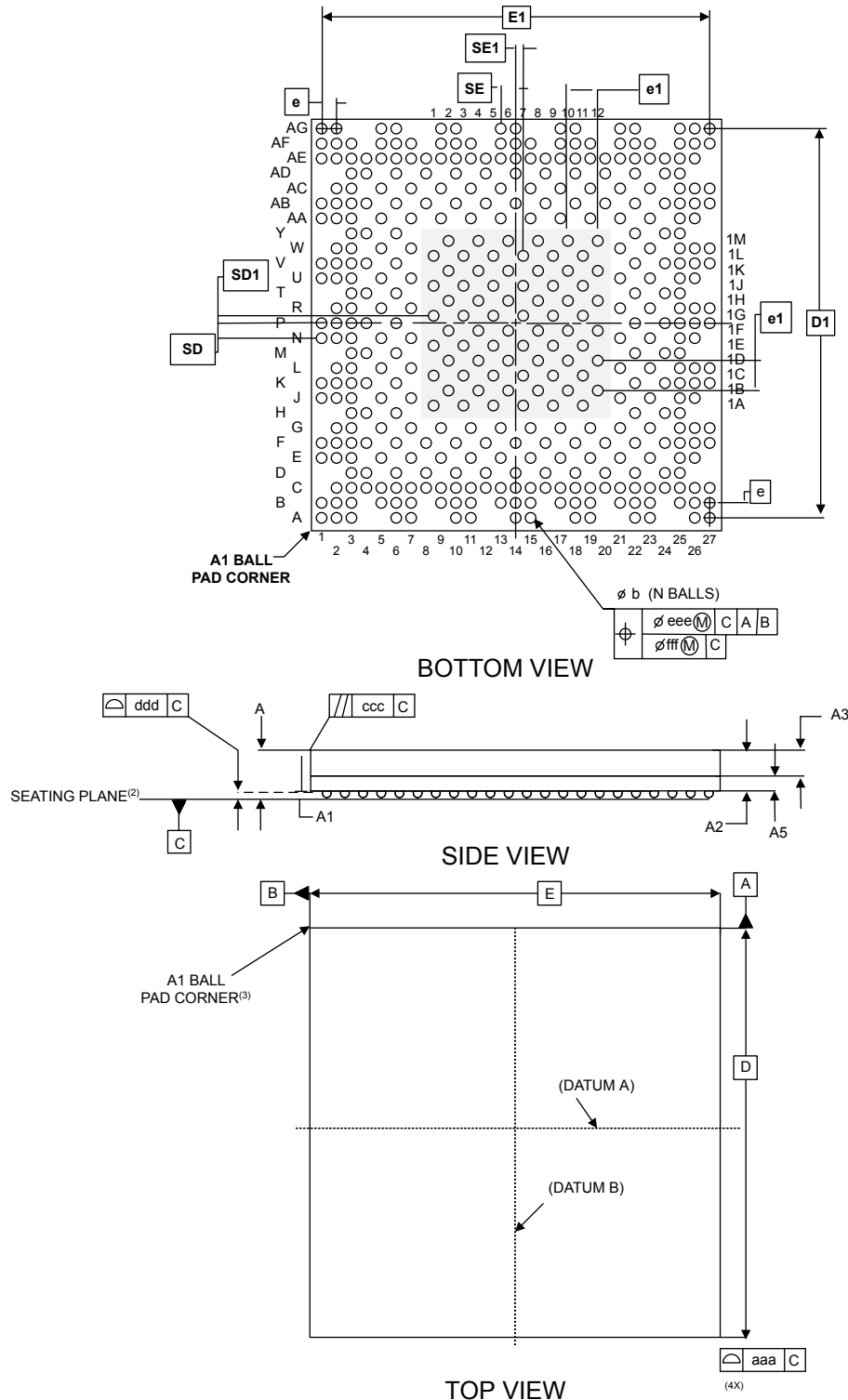
Symbol	millimeters			inches ⁽¹⁾		
	Min	Typ	Max	Min	Typ	Max
A ⁽²⁾	-	-	1.00	-	-	0.0394
A1 ⁽³⁾	0.155	-	-	0.0061	-	-
b ⁽⁴⁾	0.260	0.310	0.360	0.0102	0.0122	0.0142
D ⁽⁵⁾	10.00 BSC			0.3937 BSC		
D1	9.000 BSC			0.3543 BSC		
E	10.00 BSC			0.3937 BSC		
E1	9.000 BSC			0.3543 BSC		
e ⁽⁶⁾	0.500 BSC			0.0197 BSC		
N ⁽⁷⁾	361					
SD ⁽⁸⁾	0.500			0.0197		
SE ⁽⁸⁾	0.500			0.0197		
aaa ⁽⁹⁾	0.150			0.0059		
ccc ⁽⁹⁾	0.200			0.0079		
ddd ⁽⁹⁾	0.080			0.0031		
eee ⁽⁹⁾	0.150			0.0059		
fff ⁽⁹⁾	0.050			0.0020		

1. Values in inches are converted from mm and rounded to 4 decimal digits.
2. The profile height, A, is the distance from the seating plane to the highest point on the package. It is measured perpendicular to the seating plane
3. A1 is defined as the distance from the seating plane to the lowest point on the package body.
4. Dimension b is measured at the maximum diameter of the terminal (ball) in a plane parallel to primary datum C.
5. BSC stands for BASIC dimensions. It corresponds to the nominal value and has no tolerance. For tolerances refer to form and position table
6. e(x) represents the solder ball grid pitch(es).
7. N represents the total number of balls on the BGA.
8. Basic dimensions SD(x) & SE(y) are defined with respect to datums A and B. They define the position of the centre ball(s) of the ball matrix.
9. Tolerance of form and position drawing.

7.4 VFBGA424 package information (B0MP)

This VFBGA is a 424-ball, 14 x 14 mm, very thin fine pitch ball grid array package.

Figure 69. VFBGA424 - Outline



1. Drawing is not to scale.
2. Primary datum C is defined by the plane established by the contact points of three or more solder balls that support the device when it is placed on top of a planar surface.

B0MP_VFBGA424_ME_V1

- The terminal (ball) A1 corner must be identified on the top surface of the package by using a corner chamfer, ink or metallized markings, or other feature of package body or integral heat slug. A distinguish feature is allowable on the bottom surface of the package to identify the terminal A1 corner. Exact shape of each corner is optional.

Table 133. VFBGA424 - Mechanical data

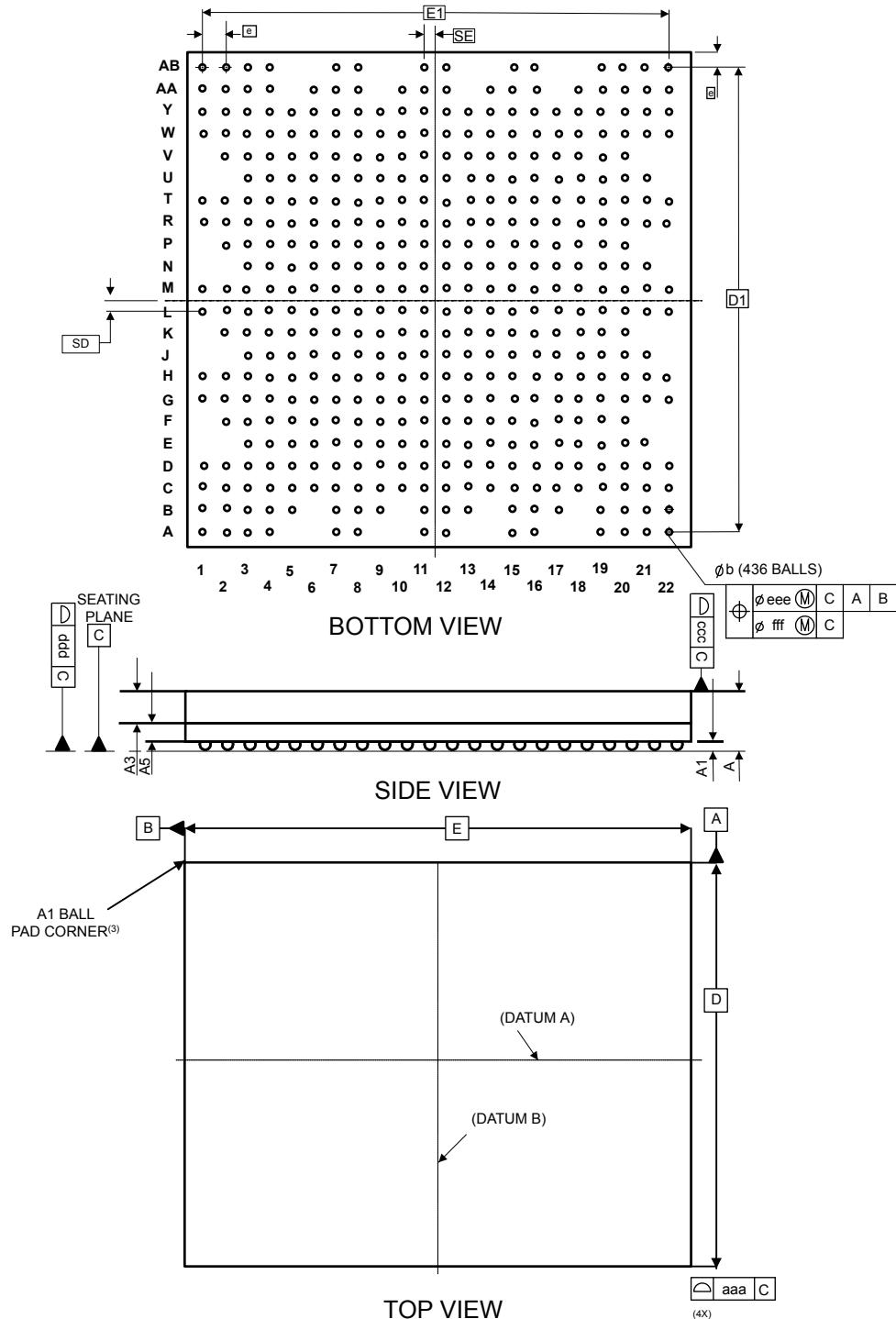
Symbol	millimeters			inches ⁽¹⁾		
	Min	Typ	Max	Min	Typ	Max
A ⁽²⁾	-	-	1.000	-	-	0.0394
A1 ⁽³⁾	0.155	-	-	0.0061	-	-
b ⁽⁴⁾	0.260	0.310	0.360	0.0102	0.0122	0.0142
D ⁽⁵⁾	14.000 BSC			0.5512 BSC		
D1 ⁽⁵⁾	13.000 BSC			0.5118 BSC		
E ⁽⁵⁾	14.000 BSC			0.5512 BSC		
E1 ⁽⁵⁾	13.000 BSC			0.5118 BSC		
e ⁽⁵⁾⁽⁶⁾	0.500 BSC			0.0197 BSC		
e1 ⁽⁵⁾⁽⁶⁾	1.000 BSC			0.0394 BSC		
N ⁽⁷⁾	424					
SD ⁽⁵⁾⁽⁸⁾	0.500 BSC			0.0197 BSC		
SE ⁽⁵⁾⁽⁸⁾	0.500 BSC			0.0197 BSC		
SD1 ⁽⁵⁾⁽⁸⁾	0.250 BSC			0.0098 BSC		
SE1 ⁽⁵⁾⁽⁸⁾	0.250 BSC			0.0098 BSC		
aaa ⁽⁹⁾	0.150			0.0059		
ccc ⁽⁹⁾	0.200			0.0079		
ddd ⁽⁹⁾	0.100			0.0031		
eee ⁽⁹⁾	0.150			0.0059		
fff ⁽⁹⁾	0.050			0.0020		

- Values in inches are converted from mm and rounded to 4 decimal digits.
- The profile height, A, is the distance from the seating plane to the highest point on the package. It is measured perpendicular to the seating plane
- A1 is defined as the distance from the seating plane to the lowest point on the package body.
- Dimension b is measured at the maximum diameter of the terminal (ball) in a plane parallel to primary datum C.
- BSC stands for BASIC dimensions. It corresponds to the nominal value and has no tolerance. For tolerances refer to form and position table
- e(x) represents the solder ball grid pitch(es).
- N represents the total number of balls on the BGA.
- Basic dimensions SD(x) & SE(y) are defined with respect to datums A and B. They define the position of the centre ball(s) of the ball matrix.
- Tolerance of form and position drawing.

7.5 TFBGA436 package information (B0MS)

This TFBGA is a 436-ball, 18 x 18 mm, thin fine pitch ball grid array package.

Figure 70. TFBGA436 - Outline



BOMS_TFBGA436_ME_V2_V3

1. Drawing is not to scale.
2. Primary datum C is defined by the plane established by the contact points of three or more solder balls that support the device when it is placed on top of a planar surface.
3. The terminal (ball) A1 corner must be identified on the top surface of the package by using a corner chamfer, ink or metallized markings, or other feature of package body or integral heat slug. A distinguish feature is allowable on the bottom surface of the package to identify the terminal A1 corner. Exact shape of each corner is optional.

Table 134. TFBGA436 - Mechanical data

Symbol	millimeters			inches ⁽¹⁾		
	Min	Typ	Max	Min	Typ	Max
A ⁽²⁾	-	-	1.20	-	-	0.0472
A1 ⁽³⁾	0.240	-	-	0.0094	-	-
b ⁽⁴⁾	0.380	0.430	0.480	0.0150	0.0169	0.0189
D ⁽⁵⁾	18.000 BSC			0.7087 BSC		
D1 ⁽⁵⁾	16.800 BSC			0.6614 BSC		
E ⁽⁵⁾	18.000 BSC			0.7087 BSC		
E1 ⁽⁵⁾	16.800 BSC			0.6614 BSC		
e ⁽⁵⁾⁽⁶⁾	0.800 BSC			0.0315 BSC		
N ⁽⁷⁾	436					
SD ⁽⁵⁾⁽⁸⁾	0.400 BSC			0.0157 BSC		
SE ⁽⁵⁾⁽⁸⁾	0.400 BSC			0.0157 BSC		
aaa ⁽⁹⁾	0.150			0.0059		
ccc ⁽⁹⁾	0.200			0.0079		
ddd ⁽⁹⁾	0.150			0.0059		
eee ⁽⁹⁾	0.150			0.0059		
fff ⁽⁹⁾	0.080			0.0031		

1. Values in inches are converted from mm and rounded to 4 decimal digits.
2. The profile height, A, is the distance from the seating plane to the highest point on the package. It is measured perpendicular to the seating plane
3. A1 is defined as the distance from the seating plane to the lowest point on the package body.
4. Dimension b is measured at the maximum diameter of the terminal (ball) in a plane parallel to primary datum C.
5. BSC stands for BASIC dimensions. It corresponds to the nominal value and has no tolerance. For tolerances refer to form and position table
6. e(x) represents the solder ball grid pitch(es).
7. N represents the total number of balls on the BGA.
8. Basic dimensions SD(x) & SE(y) are defined with respect to datums A and B. They define the position of the centre ball(s) of the ball matrix.
9. Tolerance of form and position drawing.

7.6 Package thermal characteristics

The maximum chip-junction temperature, $T_J \text{ max}$, in degrees Celsius, can be calculated using the following equation:

$$T_J \text{ max} = T_A \text{ max} + (P_D \text{ max} \times \Theta_{JA})$$

where:

- $T_A \text{ max}$ is the maximum ambient temperature in °C.
- Θ_{JA} is the package junction-to-ambient thermal resistance in °C/W.
- $P_D \text{ max}$ is the sum of $P_{INT} \text{ max}$ and $P_{I/O} \text{ max}$:

$$P_D \text{ max} = P_{INT} \text{ max} + P_{I/O} \text{ max}$$
- $P_{INT} \text{ max}$ is the product of I_{DD} and V_{DD} , expressed in Watts. This is the maximum chip internal power.

$P_{I/O}$ max represents the maximum power dissipation on output pins:

$$P_{I/O} \text{ max} = \sum (V_{OL} \times I_{OL}) + \sum ((V_{DDIOx} - V_{OH}) \times I_{OH})$$

considering the actual V_{OL}/I_{OL} and V_{OH}/I_{OH} of the I/Os at low and high level in the application.

Table 135. Package thermal characteristics

Symbol	Parameter	Package	Value	Unit
Θ_{JA}	Thermal resistance junction-ambient	TFBGA361 16×16 mm	20.2	°C/W
		VFBGA361 10×10 mm	23.1	
		VFBGA424 14×14 mm	20.9	
		TFBGA436 18×18 mm	19.5	
Θ_{JB}	Thermal resistance junction-board	TFBGA361 16×16 mm	11.7	
		VFBGA361 10×10 mm	9.5	
		VFBGA424 14×14 mm	11.8	
		TFBGA436 18×18 mm	11.6	
Θ_{JC}	Thermal resistance junction-top case	TFBGA361 16×16 mm	5.5	
		VFBGA361 10×10 mm	5.7	
		VFBGA424 14×14 mm	5.5	
		TFBGA436 18×18 mm	5.4	

7.6.1

Reference documents

- JESD51-2 Integrated Circuits Thermal Test Method Environment Conditions - Natural Convection (Still Air) available on www.jedec.org.
- For information on thermal management, refer to application note "*Guidelines for thermal management on STM32 applications*" (AN5036) available on www.st.com.



8 Ordering information

Example:

STM32 MP 257 F AI 3 _ T

Device family

STM32 = Arm®-based 32- or 64-bit processor

Product type

MP = MPU product

Device subfamily

251 = STM32MP251 line

253 = STM32MP253 line

255 = STM32MP255 line

257 = STM32MP257 line

Security option

C = Secure boot, cryptography hardware, 1.2 GHz CPU1, 800 MHz GPU⁽¹⁾

F = Secure boot, cryptography hardware, 1.5 GHz CPU1, 900 MHz GPU⁽¹⁾

Package and ball count

AJ = TFBGA361 16x16, 361 balls pitch 0.8 mm

AL = VFBGA361 10x10, 361 balls pitch 0.5 mm

AK = VFBGA424 14x14, 424 balls pitch 0.5 mm

AI = TFBGA436 18x18, 436 balls pitch 0.8 mm

Junction temperature range

3 = -40 °C < T_J < +125 °C

Options

_ (absent) = no options

Packing

T = Tape and reel

No character = tray or tube

1. GPU is absent in some devices (see [Section 2](#) for details).

Note: For a list of available options (such as speed and package) or for further information on any aspect of this device, contact your nearest ST sales office.

Important security notice

The STMicroelectronics group of companies (ST) places a high value on product security, which is why the ST product(s) identified in this documentation may be certified by various security certification bodies and/or may implement our own security measures as set forth herein. However, no level of security certification and/or built-in security measures can guarantee that ST products are resistant to all forms of attacks. As such, it is the responsibility of each of ST's customers to determine if the level of security provided in an ST product meets the customer needs both in relation to the ST product alone, as well as when combined with other components and/or software for the customer end product or application. In particular, take note that:

- ST products may have been certified by one or more security certification bodies, such as Platform Security Architecture (www.psacertified.org) and/or Security Evaluation standard for IoT Platforms (www.trustcb.com). For details concerning whether the ST product(s) referenced herein have received security certification along with the level and current status of such certification, either visit the relevant certification standards website or go to the relevant product page on www.st.com for the most up to date information. As the status and/or level of security certification for an ST product can change from time to time, customers should re-check security certification status/level as needed. If an ST product is not shown to be certified under a particular security standard, customers should not assume it is certified.
- Certification bodies have the right to evaluate, grant and revoke security certification in relation to ST products. These certification bodies are therefore independently responsible for granting or revoking security certification for an ST product, and ST does not take any responsibility for mistakes, evaluations, assessments, testing, or other activity carried out by the certification body with respect to any ST product.
- Industry-based cryptographic algorithms (such as AES, DES, or MD5) and other open standard technologies which may be used in conjunction with an ST product are based on standards which were not developed by ST. ST does not take responsibility for any flaws in such cryptographic algorithms or open technologies or for any methods which have been or may be developed to bypass, decrypt or crack such algorithms or technologies.
- While robust security testing may be done, no level of certification can absolutely guarantee protections against all attacks, including, for example, against advanced attacks which have not been tested for, against new or unidentified forms of attack, or against any form of attack when using an ST product outside of its specification or intended use, or in conjunction with other components or software which are used by customer to create their end product or application. ST is not responsible for resistance against such attacks. As such, regardless of the incorporated security features and/or any information or support that may be provided by ST, each customer is solely responsible for determining if the level of attacks tested for meets their needs, both in relation to the ST product alone and when incorporated into a customer end product or application.
- All security features of ST products (inclusive of any hardware, software, documentation, and the like), including but not limited to any enhanced security features added by ST, are provided on an "AS IS" BASIS. AS SUCH, TO THE EXTENT PERMITTED BY APPLICABLE LAW, ST DISCLAIMS ALL WARRANTIES, EXPRESS OR IMPLIED, INCLUDING BUT NOT LIMITED TO THE IMPLIED WARRANTIES OF MERCHANTABILITY OR FITNESS FOR A PARTICULAR PURPOSE, unless the applicable written and signed contract terms specifically provide otherwise.

Revision history

Table 136. Document revision history

Date	Revision	Changes
19-Mar-2024	1	Initial release.
27-Jun-2024	2	<ul style="list-style-type: none"> • Updated Communication peripherals, Camera interface #1 and Graphics in Section Features. • Updated Section 2: Description including Table 3. STM32MP25xC/F differences per packages and Figure 1. STM32MP25xC/F block diagram. • Updated Section 3.4: Graphic processing unit (GPU). • Updated Section 3.7: DDR3L/DDR4/LPDDR4 controller (DDRCTRL). • Updated Table 5. Boot sources. • Updated Section 3.35: Digital camera interface with pixel processing (DCMIPP). • Updated Section 3.37: LCD-TFT display controller (LTDC). • Updated Section 3.39: LVDS display interface (LVDS). • Updated Table 8. USART/UART features. • Updated Table 19. Embedded reset and power control block characteristics. • Updated Table 20. Embedded reference voltage characteristics. • Updated Table 21. Embedded reference voltage calibration value. • Updated Table 22 to Table 34 in Section 6.3.5.1: Typical and maximum current consumption. • Updated Table 35. D1 (CPU1) low-power mode wake-up timings. • Updated Table 36. D2 (CPU2) low-power mode wake-up timings. • Updated Table 40. Low-speed external (LSE) user clock characteristics (digital bypass). • Updated Section 6.3.7.3: High-speed external clock generated from a crystal/ceramic resonator including Table 42. High-speed external (HSE) oscillator characteristics. • Updated Table 43. Low-speed external (LSE) oscillator characteristics. • Updated Table 47. MSI oscillator characteristics. • Updated Table 48. LSI oscillator characteristics. • Updated Table 49. PLL1 to PLL8 characteristics. • Updated Table 62. Output voltage characteristics for all I/Os. • Updated Table 80. Synchronous multiplexed PSRAM write timings. • Updated Figure 30. NAND controller waveforms for read access. • Updated Figure 31. NAND controller waveforms for write access. • Updated Section 6.3.20: OCTOSPI interface characteristics including Table 83 to Table 85. • Updated Table 87. ADC characteristics. • Updated Table 88. ADC accuracy. • Updated Table 90. VREFBUF characteristics. • Updated Table 94. Voltage monitoring characteristics (V_{DDCORE}, V_{DDCPU}, V_{DDGPU}, PVD_IN, $V_{DDA18ADC}$, $V_{DDIO1/2/3/4}$, $V_{DD33USB}$, $V_{DD33UCPD}$). • Updated Table 95. Compensation cell characteristics. • Updated Section 6.3.29: Multi-function digital filter (MDF) characteristics including Table 96. MDF characteristics. • Updated Section 6.3.30: Audio digital filter (ADF) characteristics including Table 97. ADF characteristics. • Updated Section 6.3.31: Camera interface (DCMI) characteristics including Table 98. DCMI characteristics. • Updated Section 6.3.32: Camera interface (DCMIPP) characteristics. • Updated Section 6.3.33: Parallel interface (PSSI) characteristics including Table 100. PSSI transmit characteristics and Table 101. PSSI receive characteristics. • Updated Section 6.3.36.1: I2C interface characteristics including Table 105. I2C analog filter characteristics. • Updated Section 6.3.36.4: I2S interface characteristics including Table 109. I2S characteristics. • Updated Section 6.3.36.5: SAI interface characteristics including Table 110. SAI characteristics.

Date	Revision	Changes
		<ul style="list-style-type: none"> • Updated Section 6.3.36.8: Ethernet (ETH) characteristics including Table 115. Ethernet MAC timings for MDIO/SMA, Table 116. Ethernet MAC timings for RMII, Table 117. Ethernet MAC timings for MII. • Updated Section 6.3.36.9: USART (SPI mode) interface characteristics including Table 120. USART (SPI mode) characteristics. • Updated Section 6.3.37.2: DSI PHY characteristics. • Updated Section 6.3.37.4: LVDS PHY characteristics. • Updated Table 125. USB high-speed PHY characteristics. • Updated Table 126. COMBOPHY characteristics. • Updated Section 6.3.38: JTAG/SWD interface characteristics including Table 129. JTAG dynamic characteristics and Table 130. SWD dynamic characteristics. • Updated Section 7.6: Package thermal characteristics.
17-Oct-2024	3	<p>Added TFBGA361 package:</p> <ul style="list-style-type: none"> • Updated cover page. • Updated Table 1. STM32MP25xC/F features and peripheral counts. • Updated Table 3. STM32MP25xC/F differences per packages. • Added Figure 6. STM32MP25xC/F TFBGA361 ballout. • Updated Table 11. STM32MP25xC/F ball definitions. • Added Section 7.2: TFBGA361 package information (B0N8). • Updated Section 7.6: Package thermal characteristics. • Updated Section 8: Ordering information. <p>General updates:</p> <ul style="list-style-type: none"> • Updated Section 6.3.1: General operating conditions. • Updated Section 6.3.2: Operating conditions at power-up / power-down. • Updated Table 39. High-speed external (HSE) user clock characteristics (analog bypass). • Updated Section 6.3.7.3: High-speed external clock generated from a crystal/ceramic resonator. • Updated Table 46. HSI oscillator characteristics. • Updated Table 58. ESD absolute maximum ratings. • Updated Table 61. I/O static characteristics • Updated Section 6.3.19.2: Synchronous waveforms and timings. • Updated Table 77. Synchronous non-multiplexed NOR/PSRAM read timings. • Updated Figure 26. Synchronous non-multiplexed NOR/PSRAM read timings. • Updated Table 78. Synchronous non-multiplexed PSRAM write timings. • Updated Figure 27. Synchronous non-multiplexed PSRAM write timings. • Updated Table 79. Synchronous multiplexed NOR/PSRAM read timings. • Updated Figure 28. Synchronous multiplexed NOR/PSRAM read timings. • Updated Table 80. Synchronous multiplexed PSRAM write timings. • Updated Figure 29. Synchronous multiplexed PSRAM write timings. • Updated Table 90. VREFBUF characteristics. • Updated Table 99. DCMIPP characteristics. • Updated Table 108. SPI characteristics. • Updated Table 111. SDMMC GPIO OSPEEDR settings for timing measurements. • Updated Table 112. SDMMC characteristics for SD-Card or SDIO usage. • Updated Table 113. SDMMC characteristics for eMMC usage.
07-Jan-2025	4	<p>Master and slave terms in Section 3.52: Inter-integrated circuit interface (I2C1/2/3/4/5/6/7/8) replaced with controller and target, respectively.</p> <ul style="list-style-type: none"> • Speed updated to 12 Mbit/s in Section 3.54: Universal synchronous asynchronous receiver transmitter (USART1/2/3/6, UART4/5/7/8/9). • Added bullet in Section 6.3.16.1: Output driving current. • Added footnote to Table 62. Output voltage characteristics for all I/Os. • Added title note to Table 63. Output timing characteristics ($V_{DD} = 3.0 - 3.6$ V or $V_{DDIOx} = 2.7 - 3.6$ V, $V_{DDIOxVRSEL} = 0$). • Added title note to Table 64. Output timing characteristics ($V_{DD}/V_{DDIOx} = 1.71 - 1.89$ V, $V_{DDIOxVRSEL} = 1$).



Date	Revision	Changes
		<ul style="list-style-type: none">Added title note to Table 65. Output timing characteristics ($V_{DD}/V_{DDIOx} = 1.71 - 1.89$ V, $V_{DDIOxVRSEL} = 0$ degraded mode).Added Table 66. Output timing characteristics ($V_{SW} = 1.71 - 3.6$ V).Updated footnote 2 in Table 87. ADC characteristics.Updated Section 7.5: TFBGA436 package information (BOMS) including Figure 70. TFBGA436 - Outline.
24-Apr-2025	5	<p>Master and slave terms in Section 6.3.36.4: I2S interface characteristics replaced with controller and target, respectively.</p> <ul style="list-style-type: none">Updated Table 14. Voltage characteristics.Updated Section 6.3.36.8: Ethernet (ETH) characteristics.Added Table 114. GPIO advance configuration settings used for RGMII and RGMII-ID characterisation.Added Table 118. Ethernet MAC timings for RGMII.Added Figure 61. Ethernet RGMII timing diagram.Added Table 119. Ethernet MAC timings for RGMII_ID.Added Figure 62. Ethernet RGMII-ID timing diagram.Updated Section 7.2: TFBGA361 package information (B0N8).Updated Figure 67. TFBGA361 - Outline.Updated Table 131. TFBGA361 - Mechanical data.

Contents

1	Introduction	5
2	Description	6
3	Functional overview	13
3.1	Dual-core Arm Cortex-A35 subsystem (CA35SS)	13
3.1.1	Features	13
3.1.2	Overview	13
3.2	Arm Cortex-M33 core with TrustZone and FPU (CM33)	14
3.3	Arm Cortex-M0+ core (CM0P)	14
3.4	Graphic processing unit (GPU)	15
3.5	Neural processor unit (NPU)	15
3.6	Memories	15
3.6.1	External SDRAM	15
3.6.2	Embedded SRAM	16
3.7	DDR3L/DDR4/LPDDR4 controller (DDRCTRL)	16
3.8	Boot modes	16
3.9	Power supply management (PWR)	19
3.9.1	Power supply scheme	19
3.9.2	Power-supply supervisor	20
3.10	Low-power strategy	21
3.11	Resource isolation framework (RIF)	21
3.12	Reset and clock controller (RCC)	21
3.12.1	Features	22
3.12.2	Clock management	22
3.12.3	Reset sources	22
3.13	Hardware semaphore (HSEM)	23
3.14	Inter-processor communication controller (IPCC1/2)	23
3.14.1	Main features	23
3.15	General-purpose input/outputs (GPIO)	24
3.16	Bus-interconnect matrix	24
3.17	High-performance DMA controllers (HPDMA1/2/3)	26
3.18	Low-power DMA controller (LPDMA1)	27
3.19	Cortex-M33 nested vectored interrupt controller (NVIC)	27
3.20	Cortex-M0+ nested vectored interrupt controller (NVIC)	27
3.21	Extended interrupt and event controller (EXTI1/2)	27
3.22	Cyclic redundancy check calculation unit (CRC)	28

3.23	Flexible memory controller (FMC).....	28
3.24	Octo-SPI memory interface (OCTOSPI1/2).....	28
3.25	On-the-fly decoder (OTFDEC1/2).....	28
3.26	Octo-SPI I/O manager (OCTOSPIM).....	28
3.27	Analog-to-digital converters (ADC1/2/3).....	29
3.28	Digital temperature sensor (DTS).....	29
3.29	V _{BAT} operation.....	29
3.30	Voltage reference buffer (VREFBUF).....	29
3.31	Multifunction digital filter (MDF1).....	29
3.31.1	Features.....	30
3.32	Audio digital filter (ADF1).....	30
3.32.1	Features.....	30
3.33	Digital camera interface (DCMI).....	31
3.34	Parallel synchronous slave interface (PSSI).....	31
3.35	Digital camera interface with pixel processing (DCMIPP).....	31
3.36	Camera serial interface (CSI).....	32
3.37	LCD-TFT display controller (LTDC).....	32
3.38	Display serial interface (DSI).....	33
3.39	LVDS display interface (LVDS).....	33
3.40	Video encoder (VENC).....	34
3.41	Video decoder (VDEC).....	34
3.42	True random number generator (RNG).....	34
3.43	Hash processor (HASH).....	34
3.44	Cryptographic processor (CRYP1/2).....	35
3.45	Secure AES (SAES).....	35
3.46	Public key accelerator (PKA).....	35
3.47	Boot and security and OTP control (BSEC).....	35
3.48	Timers and watchdogs.....	35
3.48.1	Advanced-control timers (TIM1/8/20).....	36
3.48.2	General-purpose timers (TIM2/3/4/5/10/11/12/13/14/15/16/17).....	37
3.48.3	Basic timers (TIM6/TIM7).....	37
3.48.4	Low-power timer (LPTIM1/2/3/4/5).....	37
3.48.5	Independent watchdog (IWDG1/2/3/4/5).....	37
3.48.6	System window watchdog (WWDG1/2).....	37
3.48.7	SysTick timer.....	37
3.48.8	Cortex-A35 generic timers (CNT).....	38



3.49	System timer generation (STGEN)	38
3.50	Real-time clock (RTC)	38
3.51	Tamper and backup registers (TAMP)	39
3.52	Inter-integrated circuit interface (I2C1/2/3/4/5/6/7/8)	39
3.53	Improved inter-integrated circuit (I3C1/2/3/4)	39
3.54	Universal synchronous asynchronous receiver transmitter (USART1/2/3/6, UART4/5/7/8/9)	41
3.55	Low-power universal asynchronous receiver transmitter (LPUART1)	41
3.56	Serial peripheral interface (SPI1/2/3/4/5/6/7/8) inter-integrated sound interfaces (I2S1/2/3)	42
3.57	Serial audio interfaces (SAI1/2/3/4)	42
3.58	SPDIF receiver interface (SPDIFRX)	42
3.59	Secure digital input/output MultiMediaCard interface (SDMMC1/2/3)	43
3.60	Controller area network (FDCAN1/2/3)	43
3.61	Universal serial bus Hi-Speed host (USBH)	43
3.62	USB Type-C Power Delivery controller (UCPD1)	43
3.63	Universal serial bus 3.0 dual role data (USB3DR)	44
3.64	PCI Express interface (PCIE)	44
3.65	5-Gbit/s PHY controller (COMBOPHY)	45
3.66	Gigabit Ethernet MAC interface (ETH1/2)	45
3.67	Gigabit Ethernet switch (ETHSW)	46
3.68	Debug infrastructure	46
4	Pinouts/ballouts, pin description, and alternate functions	47
4.1	Ballout schematics	47
4.2	Ball description	52
4.3	Alternate functions	79
5	Memory mapping	97
6	Electrical characteristics	98
6.1	Parameter conditions	98
6.1.1	Minimum and maximum values	98
6.1.2	Typical values	98
6.1.3	Typical curves	98
6.1.4	Loading capacitor	98
6.1.5	Pin input voltage	98
6.1.6	Power supply scheme	99
6.1.7	Current consumption measurement	100
6.2	Absolute maximum ratings	100

6.3	Operating conditions	103
6.3.1	General operating conditions	103
6.3.2	Operating conditions at power-up / power-down	105
6.3.3	Embedded reset and power control block characteristics	106
6.3.4	Embedded reference voltage	107
6.3.5	Supply current characteristics	107
6.3.6	Wake-up time from low-power modes	135
6.3.7	External clock source characteristics	137
6.3.8	External clock source security characteristics	142
6.3.9	Internal clock source characteristics	142
6.3.10	PLL characteristics	143
6.3.11	PLL spread spectrum clock generation (SSCG) characteristics	145
6.3.12	Memory characteristics	145
6.3.13	EMC characteristics	145
6.3.14	Absolute maximum ratings (electrical sensitivity)	147
6.3.15	I/O current injection characteristics	147
6.3.16	I/O port characteristics	148
6.3.17	NRST pin characteristics	154
6.3.18	DDR IOs characteristics	155
6.3.19	FMC characteristics	155
6.3.20	OCTOSPI interface characteristics	169
6.3.21	Delay block (DLYB) characteristics	173
6.3.22	12-bit ADC characteristics	174
6.3.23	Voltage reference buffer (VREFBUF) characteristics	178
6.3.24	Digital Temperature Sensor (DTS) characteristics	178
6.3.25	V_{BAT} , V_{DDCPU} , V_{DDCORE} , V_{DDGPU} ADC measurement characteristics	179
6.3.26	Temperature and V_{BAT} monitoring characteristic for tamper detection	179
6.3.27	Voltage monitoring characteristics	180
6.3.28	Compensation cell characteristics	182
6.3.29	Multi-function digital filter (MDF) characteristics	182
6.3.30	Audio digital filter (ADF) characteristics	183
6.3.31	Camera interface (DCMI) characteristics	184
6.3.32	Camera interface (DCMIPP) characteristics	185
6.3.33	Parallel interface (PSSI) characteristics	186
6.3.34	LCD-TFT controller (LTDC) characteristics	188
6.3.35	Timer characteristics	190
6.3.36	Communications interfaces	191
6.3.37	Embedded PHYs characteristics	205



6.3.38	JTAG/SWD interface characteristics	216
7	Package information.....	218
7.1	Device marking	218
7.2	TFBGA361 package information (B0N8)	218
7.3	VFBGA361 package information (B09U)	220
7.4	VFBGA424 package information (B0MP).....	222
7.5	TFBGA436 package information (B0MS).....	224
7.6	Package thermal characteristics	226
7.6.1	Reference documents	227
8	Ordering information	228
	Important security notice	229
	Revision history	230
	List of tables	238
	List of figures.....	241



List of tables

Table 1.	STM32MP25xC/F features and peripheral counts	7
Table 2.	STM32MP25xC/F differences per product lines	9
Table 3.	STM32MP25xC/F differences per packages	10
Table 4.	Default interfaces.	16
Table 5.	Boot sources.	17
Table 6.	Minimum set of default pins used during boot ROM phase	17
Table 7.	Timer feature comparison	36
Table 8.	USART/UART features	41
Table 9.	I/O power domains.	51
Table 10.	Legend/abbreviations used in the ballout table.	52
Table 11.	STM32MP25xC/F ball definitions	53
Table 12.	Alternate functions AF0 to AF7	79
Table 13.	Alternate functions AF8 to AF15	88
Table 14.	Voltage characteristics	101
Table 15.	Current characteristics	101
Table 16.	Thermal characteristics.	102
Table 17.	General operating conditions.	103
Table 18.	Operating conditions at power-up / power-down.	105
Table 19.	Embedded reset and power control block characteristics.	106
Table 20.	Embedded reference voltage characteristics	107
Table 21.	Embedded reference voltage calibration value.	107
Table 22.	Current consumption (I_{DDCORE}) in Run modes.	109
Table 23.	Current consumption (I_{DDCPU}) in Run modes.	114
Table 24.	Current consumption (I_{DDGPU}) in Run modes.	118
Table 25.	Current consumption (I_{DD}) in Run modes	119
Table 26.	Current consumption (I_{DDA18}) in Run modes	121
Table 27.	Current consumption ($I_{DDA18AON}$) in Run modes	122
Table 28.	Current consumption (I_{BAT}) in Run modes.	123
Table 29.	Current consumption in Stop modes.	124
Table 30.	Current consumption in LPLV-Stop modes	127
Table 31.	Current consumption in Standby1 mode	130
Table 32.	Current consumption in Standby2 mode	132
Table 33.	Current consumption in VBAT1 mode	133
Table 34.	Current consumption in VBAT2 mode	134
Table 35.	D1 (CPU1) low-power mode wake-up timings	136
Table 36.	D2 (CPU2) low-power mode wake-up timings	137
Table 37.	Wake-up time using USART/LPUART.	137
Table 38.	High-speed external (HSE) user clock characteristics (digital bypass).	138
Table 39.	High-speed external (HSE) user clock characteristics (analog bypass)	138
Table 40.	Low-speed external (LSE) user clock characteristics (digital bypass)	139
Table 41.	Low-speed external (LSE) user clock characteristics (analog bypass).	140
Table 42.	High-speed external (HSE) oscillator characteristics.	140
Table 43.	Low-speed external (LSE) oscillator characteristics	141
Table 44.	High-speed external user clock security system (HSE CSS)	142
Table 45.	Low-speed external user clock security system (LSE CSS)	142
Table 46.	HSI oscillator characteristics	142
Table 47.	MSI oscillator characteristics	143
Table 48.	LSI oscillator characteristics	143
Table 49.	PLL1 to PLL8 characteristics	143
Table 50.	PLL_USB characteristics	144
Table 51.	PLL_DSI characteristics	144
Table 52.	PLL_LVDS characteristics.	144

Table 53.	PLL2 to PLL8 SSCG parameters constraints	145
Table 54.	OTP characteristics	145
Table 55.	EMS characteristics	146
Table 56.	EMI characteristics for $f_{HSE} = 40$ MHz and $F_{PLL1} = 1200$ MHz	146
Table 57.	EMI characteristics for $f_{HSE} = 40$ MHz and $F_{PLL1} = 1500$ MHz	147
Table 58.	ESD absolute maximum ratings	147
Table 59.	Electrical sensitivities	147
Table 60.	I/O current injection susceptibility	148
Table 61.	I/O static characteristics	148
Table 62.	Output voltage characteristics for all I/Os	150
Table 63.	Output timing characteristics ($V_{DD} = 3.0 - 3.6$ V or $V_{DDIOx} = 2.7 - 3.6$ V, $V_{DDIOxVRSEL} = 0$)	150
Table 64.	Output timing characteristics ($V_{DD}/V_{DDIOx} = 1.71 - 1.89$ V, $V_{DDIOxVRSEL} = 1$)	151
Table 65.	Output timing characteristics ($V_{DD}/V_{DDIOx} = 1.71 - 1.89$ V, $V_{DDIOxVRSEL} = 0$ degraded mode)	152
Table 66.	Output timing characteristics ($V_{SW} = 1.71 - 3.6$ V)	154
Table 67.	GPIO advance config delay characteristics	154
Table 68.	NRST pin characteristics.	154
Table 69.	Asynchronous non-multiplexed SRAM/PSRAM/NOR read timings	155
Table 70.	Asynchronous non-multiplexed SRAM/PSRAM/NOR read - NWAIT timings.	156
Table 71.	Asynchronous non-multiplexed SRAM/PSRAM/NOR write timings	157
Table 72.	Asynchronous non-multiplexed SRAM/PSRAM/NOR write - NWAIT timings	158
Table 73.	Asynchronous multiplexed PSRAM/NOR read timings	158
Table 74.	Asynchronous multiplexed PSRAM/NOR read - NWAIT timings	159
Table 75.	Asynchronous multiplexed PSRAM/NOR write timings	160
Table 76.	Asynchronous multiplexed PSRAM/NOR write - NWAIT timings.	160
Table 77.	Synchronous non-multiplexed NOR/PSRAM read timings	161
Table 78.	Synchronous non-multiplexed PSRAM write timings.	163
Table 79.	Synchronous multiplexed NOR/PSRAM read timings	164
Table 80.	Synchronous multiplexed PSRAM write timings	166
Table 81.	NAND flash read timings.	167
Table 82.	NAND flash write timings	168
Table 83.	OCTOSPI characteristics in SDR mode	169
Table 84.	OCTOSPI characteristics in DTR mode (without DQS)	170
Table 85.	OCTOSPI characteristics in DTR mode (with DQS or HyperBus)	171
Table 86.	DLYB characteristics	173
Table 87.	ADC characteristics	174
Table 88.	ADC accuracy	175
Table 89.	Minimum sampling time versus RAIN	176
Table 90.	VREFBUF characteristics	178
Table 91.	DTS characteristics	178
Table 92.	V_{BAT} , V_{DDCPU} , V_{DDCORE} , V_{DDGPU} ADC measurement characteristics.	179
Table 93.	TEMP and V_{BAT} Monitoring characteristics	179
Table 94.	Voltage monitoring characteristics (V_{DDCORE} , V_{DDCPU} , V_{DDGPU} , PVD_IN , $V_{DDA18ADC}$, $V_{DDIO1/2/3/4}$, $V_{DD33USB}$, $V_{DD33UCPD}$).	180
Table 95.	Compensation cell characteristics	182
Table 96.	MDF characteristics	182
Table 97.	ADF characteristics	183
Table 98.	DCMI characteristics	185
Table 99.	DCMIPP characteristics	186
Table 100.	PSSI transmit characteristics	186
Table 101.	PSSI receive characteristics	187
Table 102.	LTDC characteristics	188
Table 103.	TIMx characteristics	190
Table 104.	LPTIMx characteristics	190
Table 105.	I2C analog filter characteristics	191



Table 106.	I3C specific timings	191
Table 107.	I3C pin characteristics	191
Table 108.	SPI characteristics	192
Table 109.	I2S characteristics	194
Table 110.	SAI characteristics	196
Table 111.	SDMMC GPIO OSPEEDR settings for timing measurements	197
Table 112.	SDMMC characteristics for SD-Card or SDIO usage	198
Table 113.	SDMMC characteristics for eMMC usage	198
Table 114.	GPIO advance configuration settings used for RGMII and RGMII-ID characterisation	200
Table 115.	Ethernet MAC timings for MDIO/SMA	200
Table 116.	Ethernet MAC timings for RMII	201
Table 117.	Ethernet MAC timings for MII	201
Table 118.	Ethernet MAC timings for RGMII	202
Table 119.	Ethernet MAC timings for RGMII_ID	203
Table 120.	USART (SPI mode) characteristics	204
Table 121.	DDR PHY characteristics	205
Table 122.	DSI PHY characteristics	209
Table 123.	CSI PHY characteristics	209
Table 124.	LVDS PHY characteristics	210
Table 125.	USB high-speed PHY characteristics	211
Table 126.	COMBOPHY characteristics	212
Table 127.	PCIE REFCLKGEN characteristics	213
Table 128.	UCPDPHY characteristics	215
Table 129.	JTAG dynamic characteristics	216
Table 130.	SWD dynamic characteristics	216
Table 131.	TFBGA361 - Mechanical data	220
Table 132.	VFBGA361 - Mechanical data	222
Table 133.	VFBGA424 - Mechanical data	224
Table 134.	TFBGA436 - Mechanical data	226
Table 135.	Package thermal characteristics	227
Table 136.	Document revision history	230

List of figures

Figure 1.	STM32MP25xC/F block diagram	12
Figure 2.	AXI STNoC multi-frequency network	24
Figure 3.	MCU multi-Layer AHB 400 MHz	25
Figure 4.	MCU multi-Layer AHB 200 MHz	25
Figure 5.	SmartRun multi-Layer AHB matrix	26
Figure 6.	STM32MP25xC/F TFBGA361 ballout	47
Figure 7.	STM32MP25xC/F VFBGA361 ballout	48
Figure 8.	STM32MP25xC/F VFBGA424 ballout	49
Figure 9.	STM32MP25xC/F TFBGA436 ballout	50
Figure 10.	Pin loading conditions	98
Figure 11.	Pin input voltage	98
Figure 12.	Power supply scheme	99
Figure 13.	Current consumption measurement scheme	100
Figure 14.	High-speed external clock source AC timing diagram (digital bypass)	138
Figure 15.	High-speed external clock source AC timing diagram (analog bypass)	139
Figure 16.	Low-speed external clock source AC timing diagram (digital bypass)	139
Figure 17.	Low-speed external clock source AC timing diagram (analog bypass)	140
Figure 18.	Typical application with a 40 MHz crystal	141
Figure 19.	Typical application with a 32.768 kHz crystal	142
Figure 20.	V_{IL}/V_{IH} for TT I/Os.	149
Figure 21.	Recommended NRST pin protection	155
Figure 22.	Asynchronous non-multiplexed SRAM/PSRAM/NOR read waveforms	157
Figure 23.	Asynchronous non-multiplexed SRAM/PSRAM/NOR write waveforms	158
Figure 24.	Asynchronous multiplexed PSRAM/NOR read waveforms	159
Figure 25.	Asynchronous multiplexed PSRAM/NOR write waveforms	161
Figure 26.	Synchronous non-multiplexed NOR/PSRAM read timings	163
Figure 27.	Synchronous non-multiplexed PSRAM write timings	164
Figure 28.	Synchronous multiplexed NOR/PSRAM read timings	165
Figure 29.	Synchronous multiplexed PSRAM write timings	167
Figure 30.	NAND controller waveforms for read access	168
Figure 31.	NAND controller waveforms for write access	168
Figure 32.	OCTOSPI timing diagram - SDR mode	170
Figure 33.	OCTOSPI timing diagram - DTR mode	171
Figure 34.	OCTOSPI HyperBus clock	172
Figure 35.	OCTOSPI HyperBus read	172
Figure 36.	OCTOSPI HyperBus read with double latency	173
Figure 37.	OCTOSPI HyperBus write	173
Figure 38.	ADC accuracy characteristics	176
Figure 39.	Typical connection diagram using the ADC with TT pins featuring analog switch function	177
Figure 40.	MDF timing diagram	183
Figure 41.	ADF timing diagram	184
Figure 42.	DCMI timing diagram	185
Figure 43.	DCMIPP timing diagram	186
Figure 44.	PSSI transmit timing diagram	187
Figure 45.	PSSI receive timing diagram	188
Figure 46.	LCD-TFT horizontal timing diagram	189
Figure 47.	LCD-TFT vertical timing diagram	190
Figure 48.	SPI timing diagram - master mode	193
Figure 49.	SPI timing diagram - slave mode and CPHA = 0	193
Figure 50.	SPI timing diagram - slave mode and CPHA = 1	194
Figure 51.	I2S target timing diagram (Philips protocol)	195
Figure 52.	I2S controller timing diagram (Philips protocol)	195
Figure 53.	SAI master timing waveforms	197



Figure 54.	SAI slave timing waveforms	197
Figure 55.	SD high-speed mode	199
Figure 56.	SD default mode	199
Figure 57.	SDMMC DDR mode	199
Figure 58.	Ethernet MDIO/SMA timing diagram	201
Figure 59.	Ethernet RMII timing diagram	201
Figure 60.	Ethernet MII timing diagram	202
Figure 61.	Ethernet RGMII timing diagram	203
Figure 62.	Ethernet RGMII-ID timing diagram	204
Figure 63.	USART timing diagram in SPI master mode	205
Figure 64.	USART timing diagram in SPI slave mode	205
Figure 65.	JTAG timing diagram	216
Figure 66.	SWD timing diagram	217
Figure 67.	TFBGA361 - Outline	219
Figure 68.	VFBGA361 - Outline	221
Figure 69.	VFBGA424 - Outline	223
Figure 70.	TFBGA436 - Outline	225



IMPORTANT NOTICE – READ CAREFULLY

STMicroelectronics NV and its subsidiaries (“ST”) reserve the right to make changes, corrections, enhancements, modifications, and improvements to ST products and/or to this document at any time without notice. Purchasers should obtain the latest relevant information on ST products before placing orders. ST products are sold pursuant to ST’s terms and conditions of sale in place at the time of order acknowledgment.

Purchasers are solely responsible for the choice, selection, and use of ST products and ST assumes no liability for application assistance or the design of purchasers’ products.

No license, express or implied, to any intellectual property right is granted by ST herein.

Resale of ST products with provisions different from the information set forth herein shall void any warranty granted by ST for such product.

ST and the ST logo are trademarks of ST. For additional information about ST trademarks, refer to www.st.com/trademarks. All other product or service names are the property of their respective owners.

Information in this document supersedes and replaces information previously supplied in any prior versions of this document.

© 2025 STMicroelectronics – All rights reserved