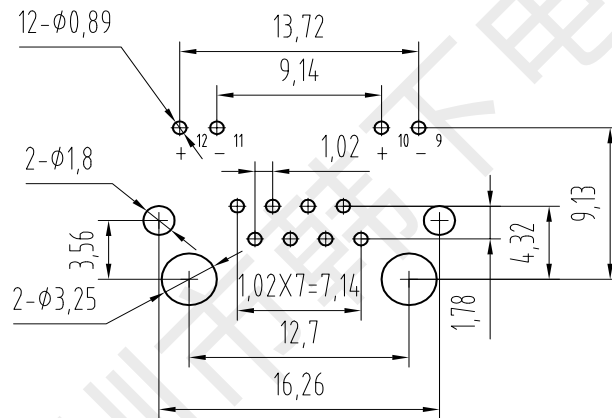
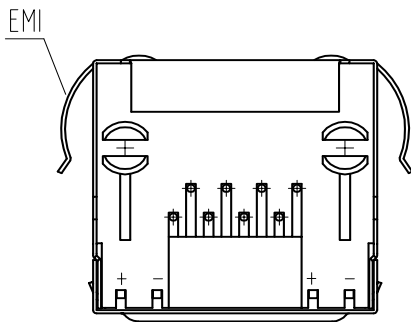
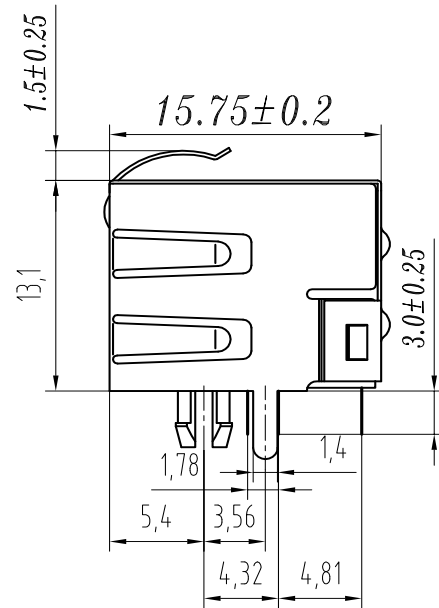
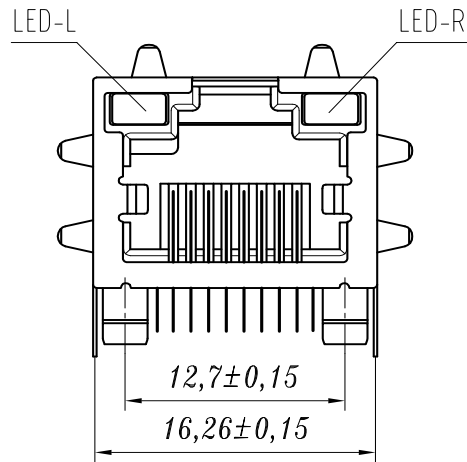


REVISION RECORD				
REV	ECO	DESCRIPTION	DRFT	CHKD



PC Board Layout
Component Side Shown

Specifications:

1. Electrical:

Rated voltage and current: 125V 1.5A Max
Contact resistance: 50mΩ Max Initial state
100mΩ Max End state

Insulation resistance: 500MΩ Min
Withstand Voltage: AC 1000V

2. Mechanical:

Durability: 750 Cycles 20-30Cycles/Min

3. Material:

Shell: 0.20mm Thickness Coper Alloy With Nikel Plated
Housing: Glass Filled Polyester UL94V-0
Contact: Phosphor Bronze
Plating: Gold Plating Fu" 50u" Over Nickel

4. Temperature Range: -25°C to +85°C.

5. Welding temperature: 260±5°C 3±0.5S

DIMENSIONS MM INCH TOLERANCES EXCEPT AS NOTED MM .0 ± 0.15 .00 ± 0.075 .000 ± 0.05 ANGLES ± 0.5 THIRD ANGLE PROJECTION	DFTO 黄彬 DATE	 TITLE HX-RJ45 90 5631-1x1T LED DRAWING NO. TESJA1002 SIZE A3 REV 0 /PART NO. SHEET X OF Y	
	CHKD 张伟 DATE		
	HFO DATE		
	APPL 罗小睿 DATE		
	MATERIAL :		
QT'Y :	FINISH :	DO NOT SCALE DRAWING	SHEET X OF Y
SCALE :			