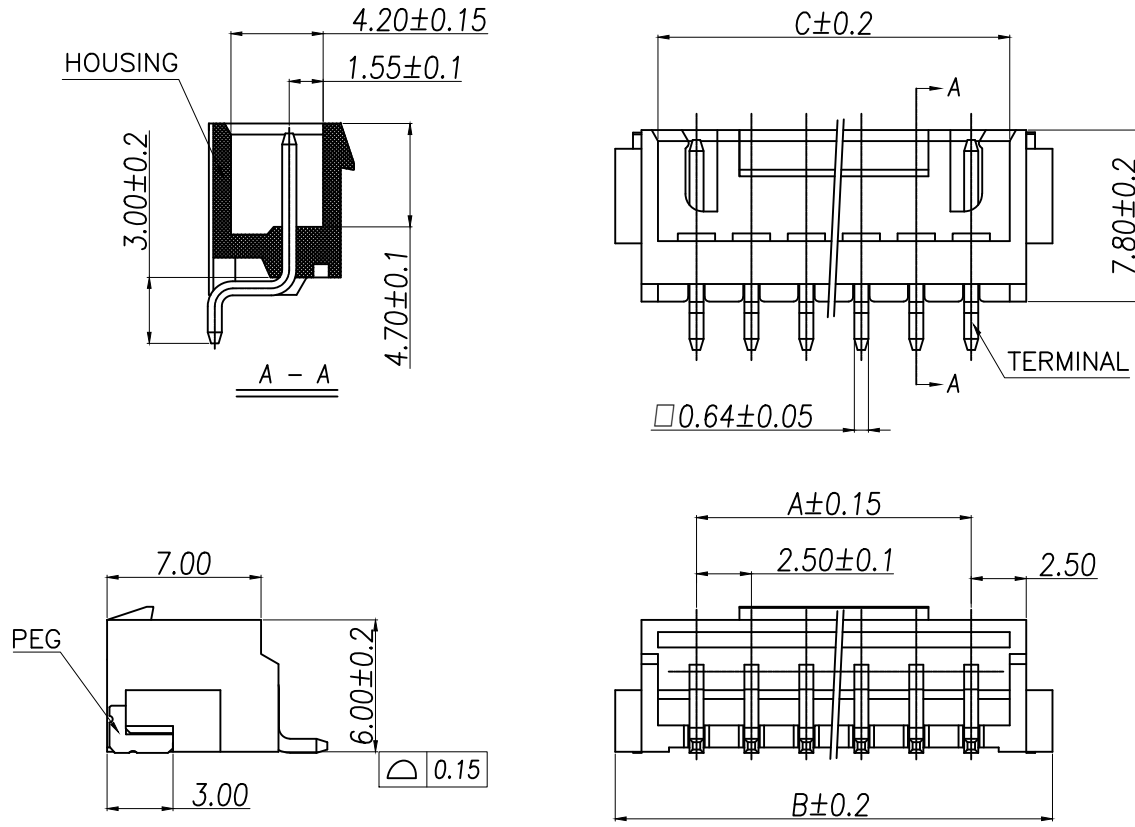
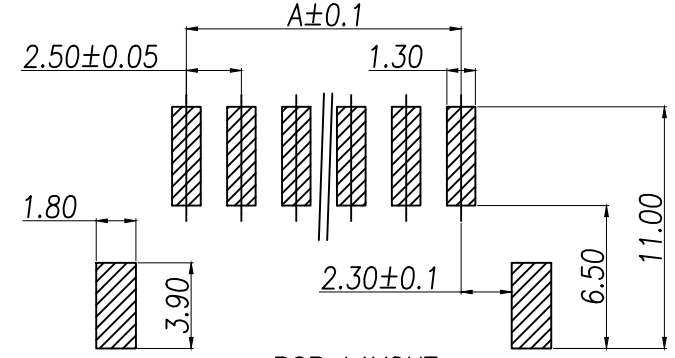


REV.	Q'TY	ECN. NO.	APR.	DATE



P/N	PIN	DIM A	DIM B	DIM C
XY-HA2.54-2PWT	2	2.50	9.90	5.90
XY-HA2.54-3PWT	3	5.00	12.40	8.40
XY-HA2.54-4PWT	4	7.50	14.90	10.90
XY-HA2.54-5PWT	5	10.00	17.40	13.40
XY-HA2.54-6PWT	6	12.50	19.90	15.90
XY-HA2.54-7PWT	7	15.00	22.40	18.40
XY-HA2.54-8PWT	8	17.50	24.90	20.90
XY-HA2.54-9PWT	9	20.00	27.40	23.40
XY-HA2.54-10PWT	10	22.50	29.90	25.90
XY-HA2.54-11PWT	11	25.00	32.40	28.40
XY-HA2.54-12PWT	12	27.50	34.90	30.90
XY-HA2.54-13PWT	13	30.00	37.40	33.40
XY-HA2.54-14PWT	14	32.50	39.90	35.90
XY-HA2.54-15PWT	15	35.00	42.40	38.40
XY-HA2.54-16PWT	16	37.50	44.90	40.90
XY-HA2.54-17PWT	17	40.00	47.40	43.40
XY-HA2.54-18PWT	18	42.50	49.90	45.90
XY-HA2.54-19PWT	19	45.00	52.40	48.40
XY-HA2.54-20PWT	20	47.50	54.90	50.90



PCB LAYOUT  
TOL.: ±0.05

- 说明:
1. 产品表面清洁, 无锈蚀, 氧化, 裂纹, 缺芯, 毛刺, 及其它机械损伤;
  2. 塑胶材料: LCP UL94V-0, 颜色: 本色;
  3. 焊片: 黄铜, 镀底30u"Min., 镀锡50u"Min.;
  4. 接触针: 黄铜, 镀底30u"Min., 镀锡50u"Min.;
  5. 满足灼热丝温度850度.
  6. 工作温度 -40~+85°C
  7. 额定电流: 3A AC/DC
  8. 额定电压: 250V AC/DC
  9. 接触电阻: 10mΩ Max.
  10. 绝缘电阻: 1000MΩ Min.
  11. 耐压: 1000V AC FOR 1 MINUTE

DIMENSION IN mm		厦门市辛译精密电子有限公司 Xiamen XinYi Xyconn Electronics Co.,Ltd		
TOLERANCE UNLESS OTHERWISE SPECIFIED		APR.	TITLE:	
.X±0.50	X.*± 5°	Alex	HA-SMT-AW带扣插座	
.XX±0.20	.X*± 3°	CHK. Jack	DWG NO. XY-HA2.54-NPWT	
.XXX±0.10	.XX*± 1°	DRA. Can	CUSTOMER DRAWING	
		SIZE A4	SCALE 1:1	SHEET 1/1
		REV. A		