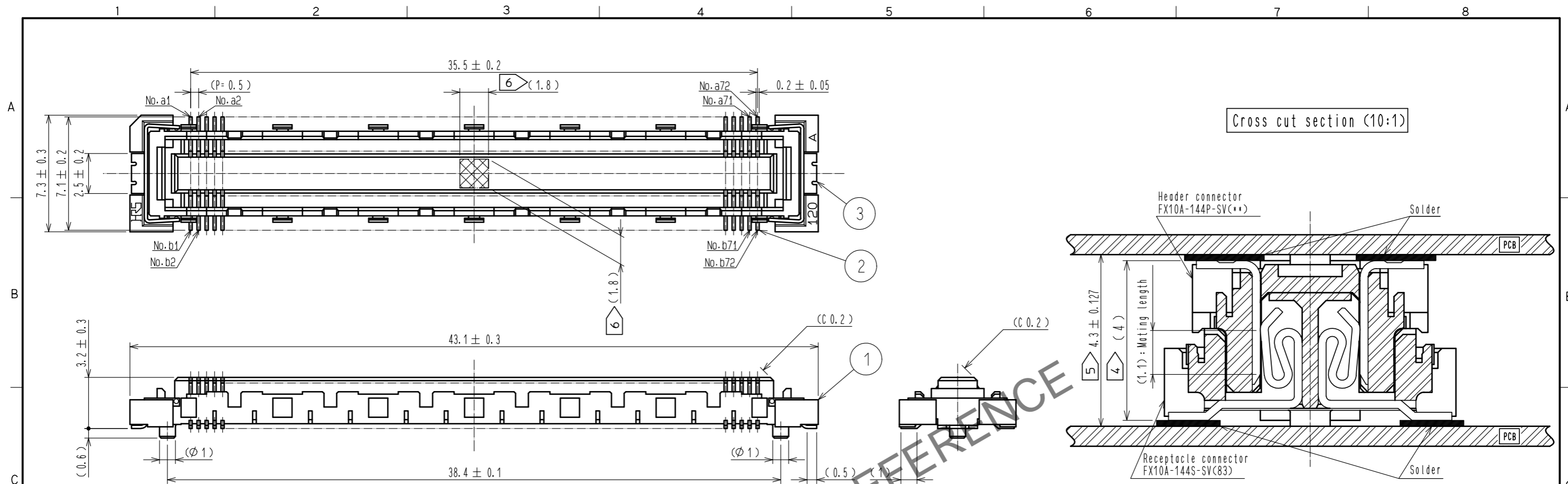
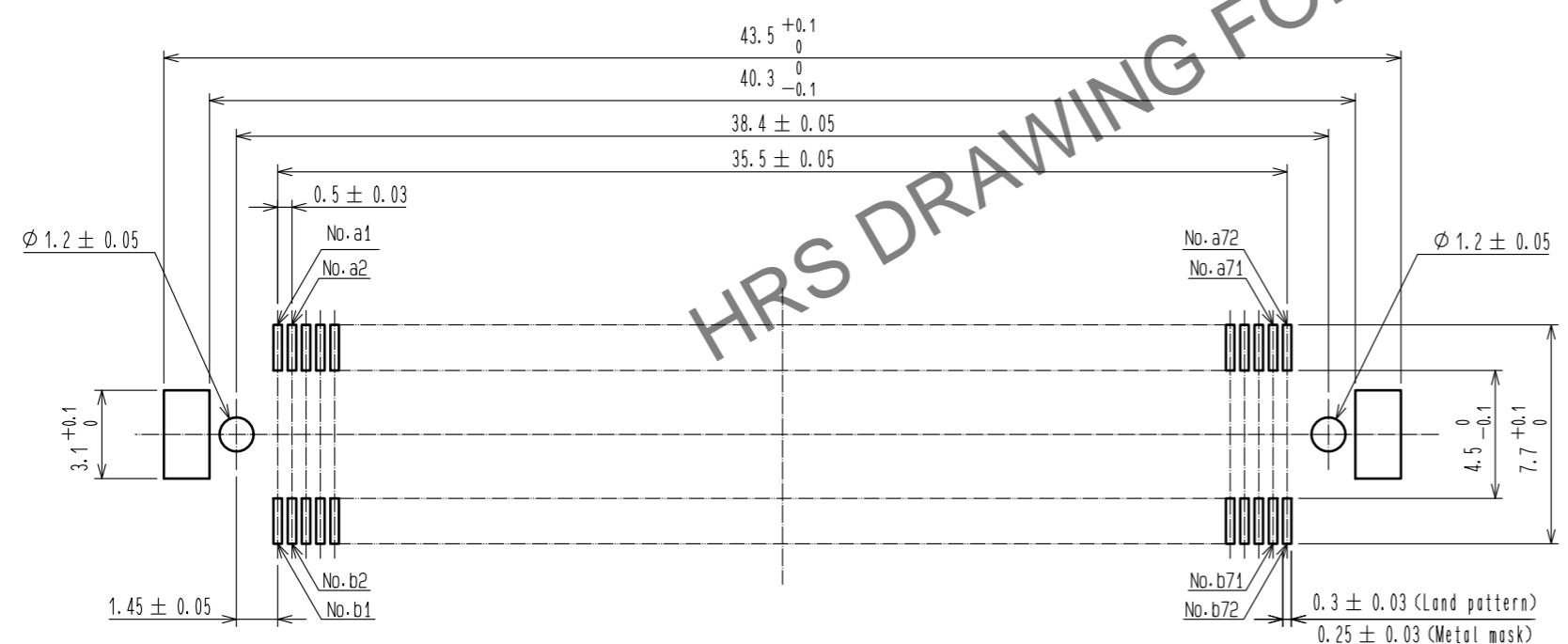


Sep.1.2025 Copyright 2025 HIROSE ELECTRIC CO., LTD. All Rights Reserved.
In case of consideration for using Automotive equipment / device which demand high reliability, kindly contact our sales window correspondents.



Recommended land pattern dimension of PCB
(Recommended metal mask thickness : 0.15mm)

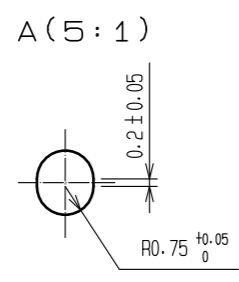
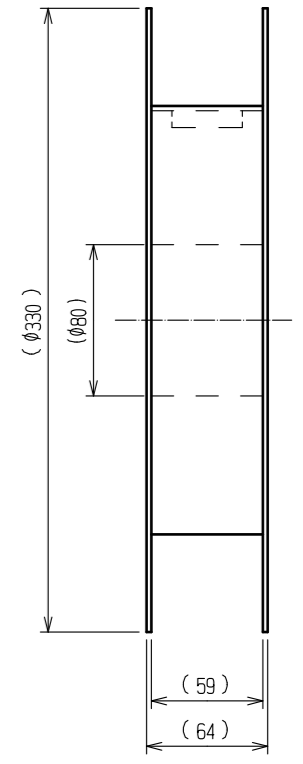
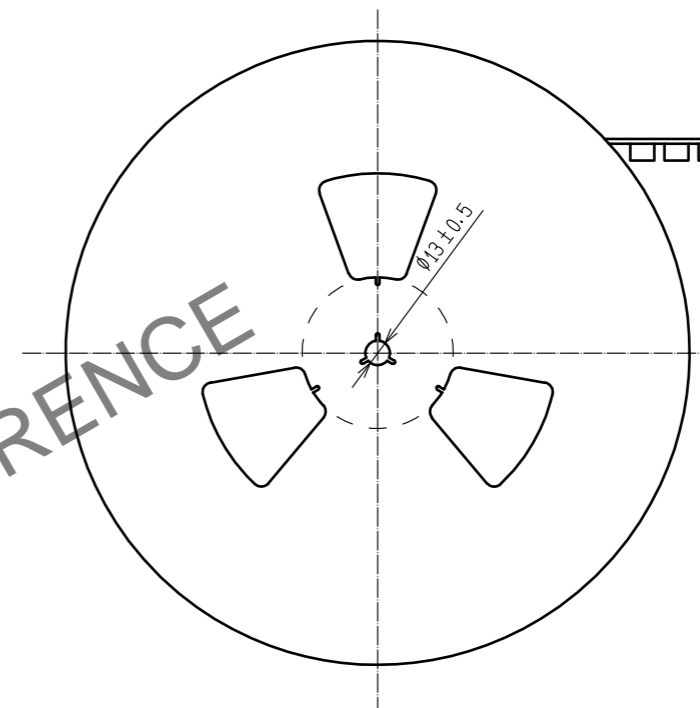
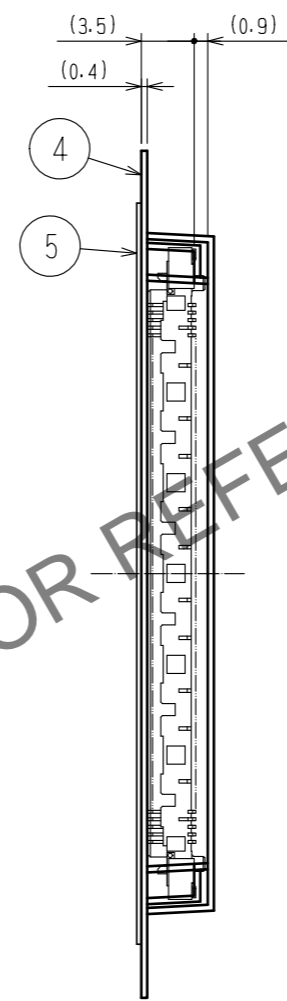
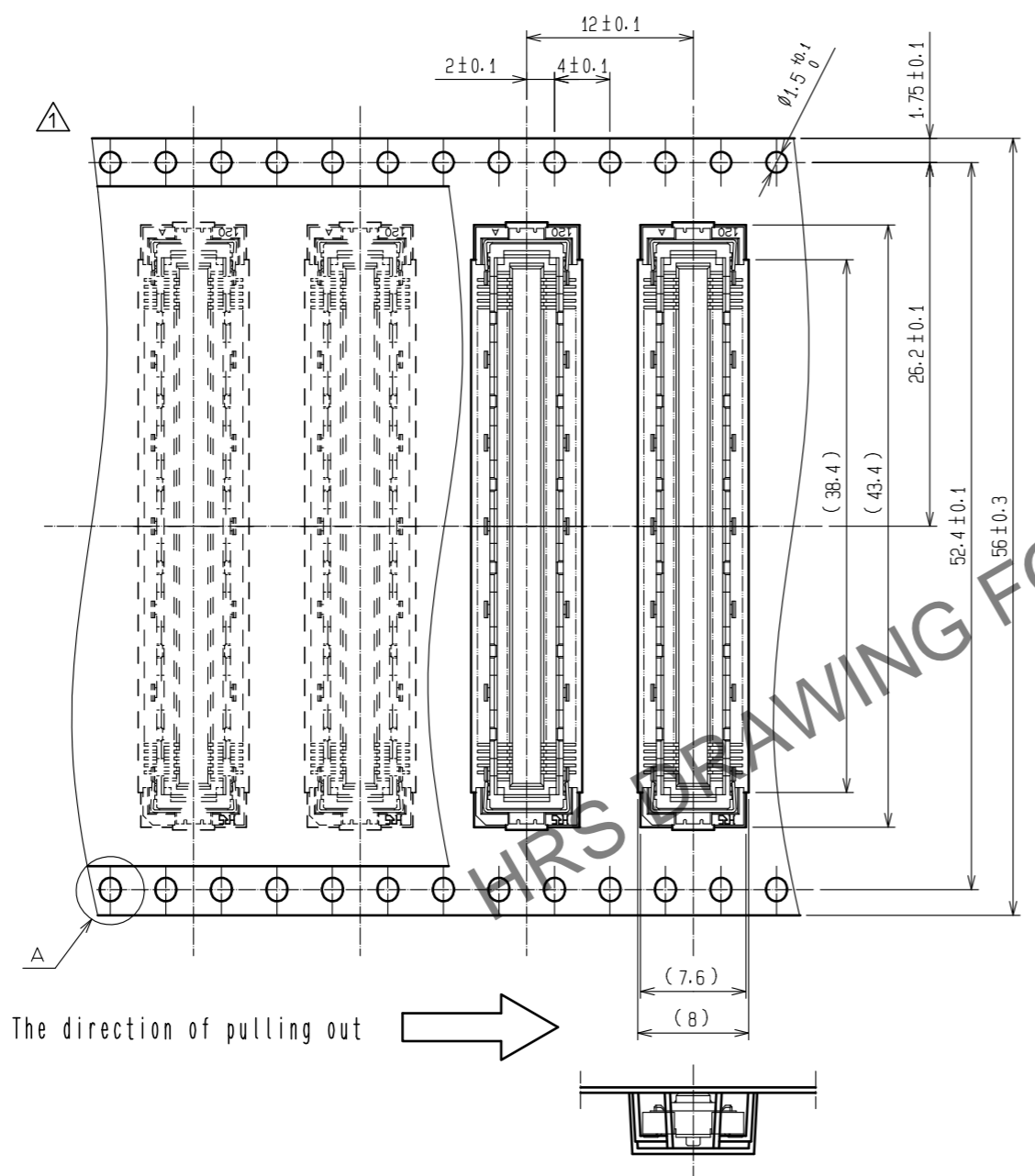


- Notes
- 1 SMT lead - coplanarity : 0.1 max.
 - 2 This product has no polarity to pattern for mounting.
 - 3 The dimensions in parentheses are for reference.
 - 4 Stacking height from lead to lead (reference dimensions).
 - 5 board distance.
 - 6 Area is vacuum pickup area for reference.
 - 7 Emboss carrier tape package is applied on this product. Please refer to the sheet 2/2 for the retails.

2	Phosphor blonze	Contact area : Gold 0.76μm min	5	Polyester	(Top cover tape)
		Lead area : Gold 0.03μm min	4	Polyethylene	(Emboss carrier tape)
		Under plating : Nickel 1.3μm min	3	Phosphor blonze	Surface area : Gold 0.03μm min
1	LCP	Beige UL94V-0			Under plating : Nickel 1.3μm min
NO.	MATERIAL	FINISH . REMARKS	NO.	MATERIAL	FINISH . REMARKS
UNITS mm		SCALE 4 : 1	COUNT 1	DESCRIPTION OF REVISIONS DIS-F-00011032	
DESIGNED MT. ITANO		CHECKED HT. YAMAGUCHI		DATE 20211007	
APPROVED : HS. OKAWA		20130111		DRAWING NO. EDC3-151986-23	
CHECKED : HT. YAMAGUCHI		20130111		PART NO. FX10A-144S-SV(83)	
DESIGNED : YJ. ASAO		20130111		CODE NO. CL0570-0243-4-83	
DRAWN : YJ. ASAO		20130111		1/2	

Sep.1.2025 Copyright 2025 HIROSE ELECTRIC CO., LTD. All Rights Reserved.
 In case of consideration for using Automotive equipment / device which demand high reliability, kindly contact our sales window correspondents.

Drawing for packing (2:1)



- Notes
- 8 1 reel : 1,000 connectors.
 - 9 Minimum 10 compartments from both reel ends remain empty.
 - 10 This product has no polarity to tape and reel packaging.
 - 11 The dimensions in parentheses are for reference.

HRS	DRAWING NO.	EDC3-151986-23	
	PART NO.	FX10A-144S-SV(83)	
	CODE NO.	CL0570-0243-4-83	