



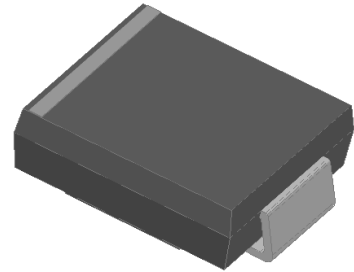
1. Features

- Glass passivated chip junction
- For surface mounted application.
- Low forward voltage drop.
- High current capability.
- High reliability.
- Super Fast reverse recovery time.
- Meets MSL level 1, per J-STD-020.

2. Mechanical Data

- Case:Molded Plastic,SMC(DO-214AB) .
- Epoxy:UL 94V-0 rate flame retardant.
- Terminals:Plated Leads Solderable per MIL-STD-750,Method-2026.
- Marking:marked on body.

SMC(DO-214AB)



3. Maximum Ratings and Electrical Characteristics

Electrical Characteristics Rating at 25°C ambient temperature unless otherwise specified.

PARAMETER	SYMBOL	MURS560U	Unit
Maximum Recurrent Peak Reverse Voltage	V _{RRM}	600	V
Maximum RMS Voltage	V _{RMS}	420	V
Maximum DC Blocking Voltage	V _{DC}	600	V
Average Rectified Output Current @T _L =110°C	I _{F(AV)}	5.0	A
Peak Forward Surge Current 8.3ms @T _j =25°C	I _{FSM}	200	A
Single half sine-wave superimposed @T _j =125°C on rated load (JEDEC Method)		160	
I ² t Rating for Fusing (t < 8.3ms)	I ² t	166	A ² S
Maximum Instantaneous Forward Voltage @I _F =5A	V _{FM}	1.35	V
Maximum DC reverse current @T _j =25°C	I _R	5.0	uA
at rated DC blocking voltage @T _j =125°C		100	
Maximum Reverse Recovery Time (Note 1)	T _{RR}	50	ns
Typical Junction Capacitance (Note 2)	C _j	50	pF
Typical Thermal Resistance	R _{θJA}	80	°C/W
	R _{θJL}	20	
	R _{θJC}	15	
Operating Temperature Range	T _j	-55 to+150	°C
Storage Temperature Range	T _{STG}	-55 to+150	°C

Note:

1. Reverse Recovery Test Conditions: I_F=0.5A, I_R=1.0A, I_{RR}=0.25A.
2. Measured at 1.0 MHz and Applied reverse Voltage of 4.0V D.C



4. Rating And Characteristic Curves

Fig. 1 Forward Current Derating Curve

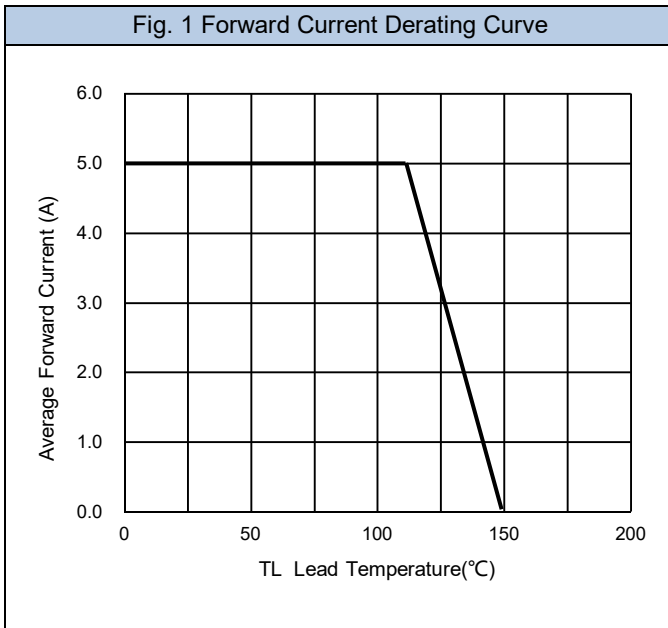


Fig. 2 Typical Forward Characteristics

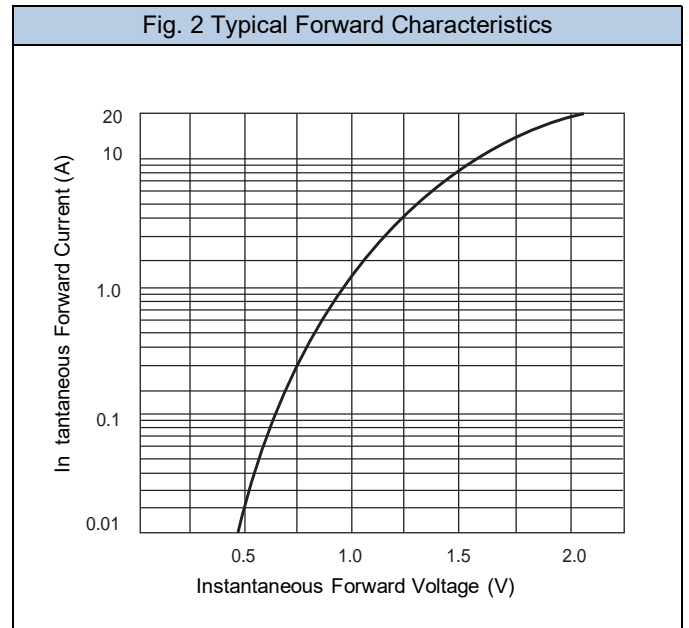


Fig. 3 Forward Surge Current Capability

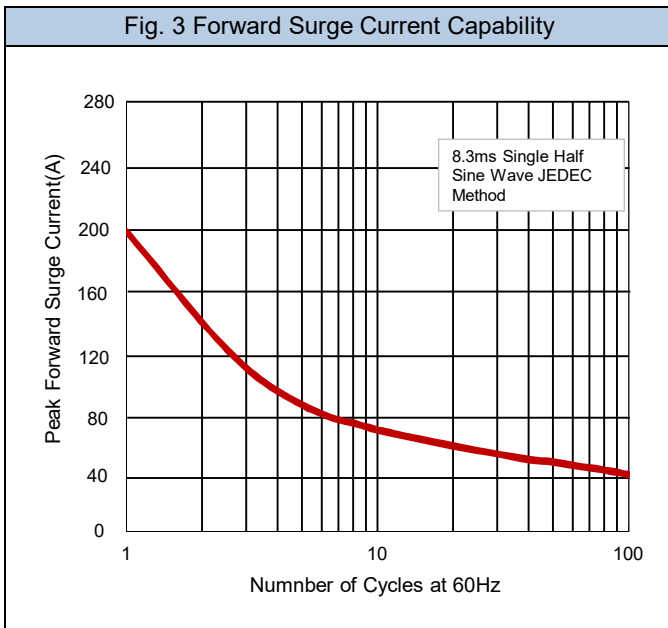
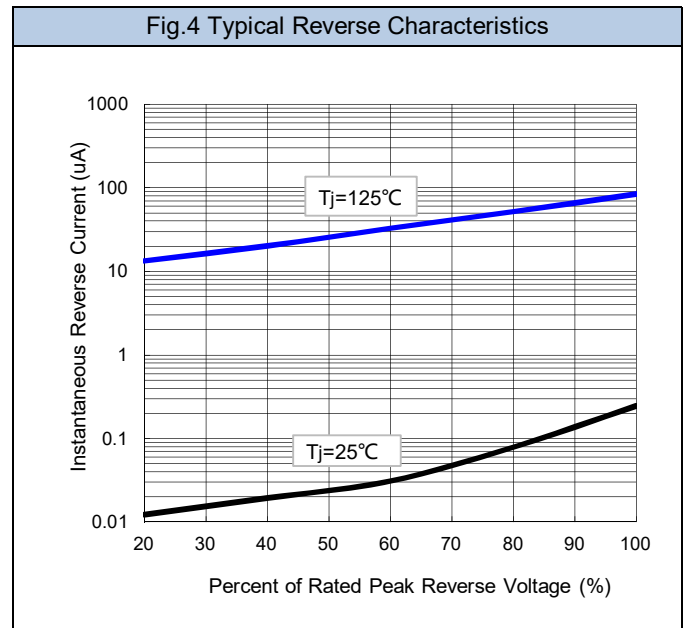
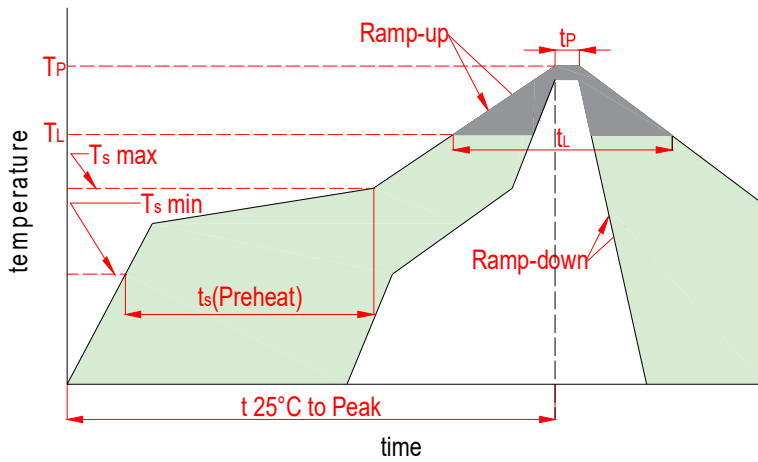


Fig.4 Typical Reverse Characteristics



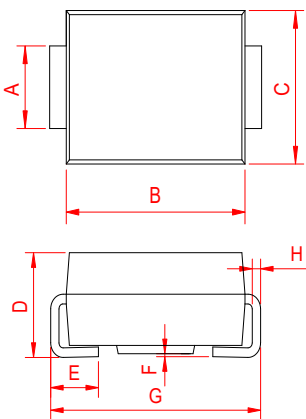


5. Soldering Parameters

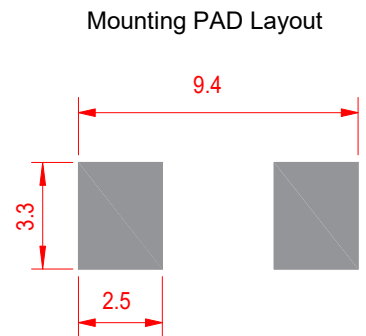


Reflow Condition		Lead-free
Pre Heat	Temp. min(T_s (min))	150°C
	Temp. max(T_s (min))	200°C
	Time(min to max)(t_s)	60~120s
Aver. ramp up rate(Liquidus Temp.)(T_L)to peak		3°C/s max
T_s (max) to T_L -Ramp-up Rate		3°C/s max
Reflow	Temp. (T_L)(Liquidus)	217°C
	Temp. (t_L)(Liquidus)	60~150s
Peak Temp. (T_p)		260 ^{+0/-5} °C
Time within actual peak Temp. (t_p)		30s max
Ramp-down Rate		6°C/s max
Time 25°C to peak Tempe. (T_p)		8 minutes max
Do not exceed		260°C

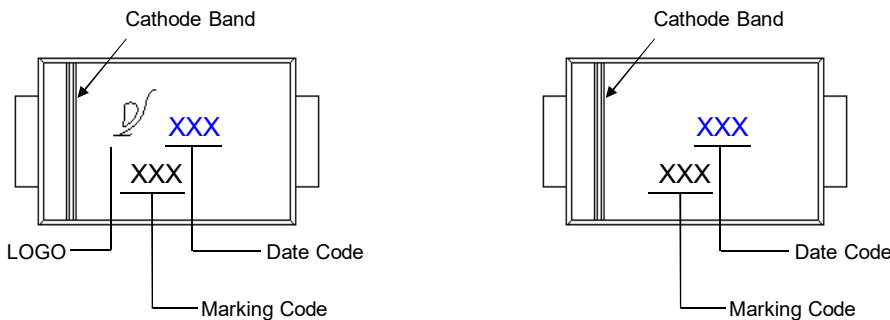
6. Dimensions



Dimensions	Inches		Millimeters	
	Min	Max	Min	Max
A	0.110	0.126	2.80	3.20
B	0.260	0.280	6.60	7.11
C	0.220	0.245	5.59	6.22
D	0.079	0.103	2.00	2.62
E	0.039	0.063	1.00	1.60
F	0.002	0.008	0.05	0.20
G	0.305	0.320	7.75	8.13
H	0.006	0.014	0.15	0.35



7. Part Marking System



8. Package Information

Package	Tape Width (mm)	Reel Size		Quantity(pcs)
		mm	inch	
SMC(DO-214AB)	16	330	13	3000



Important Notice and Disclaimer

- Reproducing and modifying information of the document is prohibited without from XINNUO.
- XINNUO reserves the right to make changes to this document and its products and specifications.
- XINNUO disclaims any and all liability arising out of the application or use of any product including damages incidentally and consequentially occurred.
- XINNUO does not assume any and all implied warranties, including warranties of fitness for particular purpose, non-infringement and merchantability.
- Applications shown on the here in document are examples of standard use and operation. Customers are responsible in comprehending the suitable use in particular applications.XINNUO makes no representation or warranty that such applications will be suitable for the specified use without further testing or modification.
- The products shown her are not designed and authorized for equipments requiring high level of reliability or relating to human life and for any applications concerning life-saving or life-sustaining, such as medical instruments, transportation equipment, aerospace machinery et cetera. Customers using or selling these products for use in such applications do so at their own risk and agree to fully indemnify XINNUO for any damages resulting from such improper use or sale.
- Since XINNUO uses lot number as the tracking base, please provide the lot number for tracking when complaining.