

深圳市晶科鑫实业有限公司



样品承认书

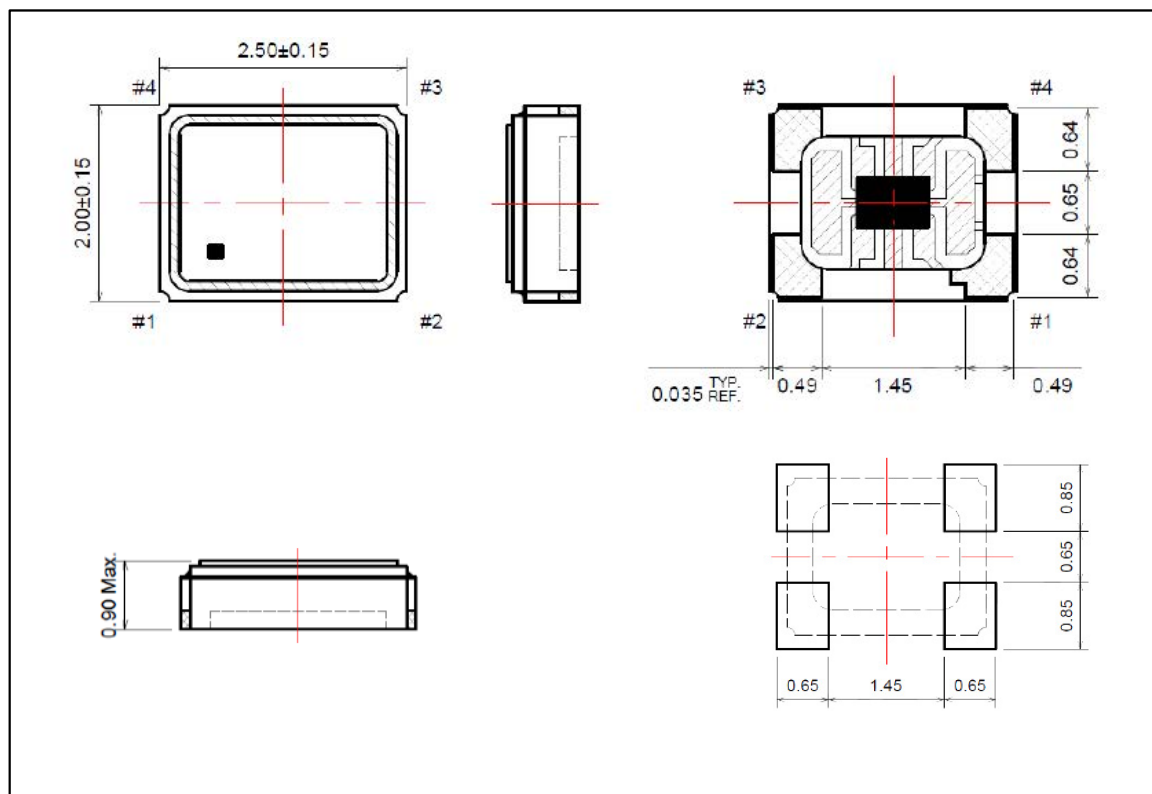
客户代码:	
物料名称:	温度补偿晶体振荡器TCXO
规格型号:	SMD2520 4pin 26.000MHz 1.8V~3.3V ±0.5PPM -30~85℃
P N/ SJK:	7W26000J13XFH
环保属性:	<input checked="" type="checkbox"/> RoHS <input checked="" type="checkbox"/> REACH <input checked="" type="checkbox"/> HF <input type="checkbox"/> PAHS <input type="checkbox"/> 其它
版 次:	A1 2025-11-5 初版 最小包装: 3000pcs/real
湿敏等级:	一级

承 认 签 章					
供 应 商 承 认			() 公 司		
制 定	审 核	核 准	工 程 师	审 核	批 准
贺丹斌	李相同	刘惠光			
SJK 支持			盖章签署		
FAE_EMAIL			日 期		
日 期			批示: <input type="checkbox"/> 接受 <input type="checkbox"/> 有条件接受		
备注:					

ELECTRICAL SPECIFICATIONS

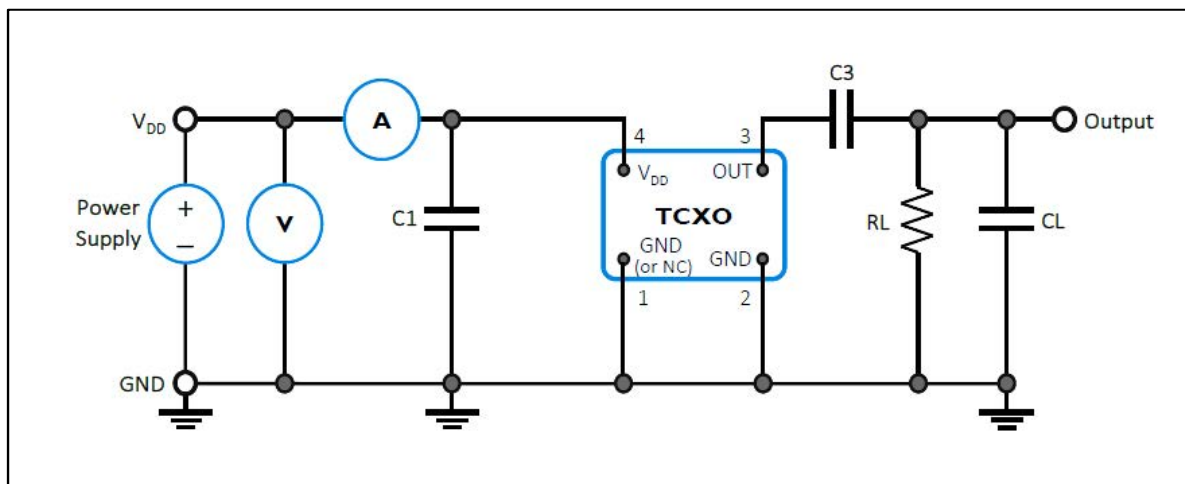
Parameters		Condition	Electrical Specifications			
			MIN	TYP	MAX	UNITS
Nominal Frequency			26.000			MHZ
Operating Temperature Range			-30		85	°C
Supply Voltage			1.68	-	3.63	V
Current Drain					1.5	MA
Output Level			0.8			Vp-p
Output Type			Clipped sine wave			
Output Load		Resistance		10		kΩ
		Capacitance		10		pF
Frequency Tolerance		After 2times reflow			±2.0	ppm
Frequency Stability	vs:Temperature	-30 ~ 85 °C			±0.5	ppm
	vs:Load	10kΩ/10pF ±10%			±0.1	ppm
	vs:Supply Voltage	V _{CC} ±5%			±0.1	ppm
Storage Temperature			-40		90	°C
Start-up Time	vs:Frequency	Within ±0.5ppm			2.0	ms
	vs:Output Level	To 90% of Vp-p			2.0	ms
Allan standard deviation					-1	ppb
G sensitivity					±1.0	ppb/G
Aging					±1.0	ppm/1year
Phase noise at 1KHz offset					-130	dBc/Hz

DIMENSION (Unit: mm)

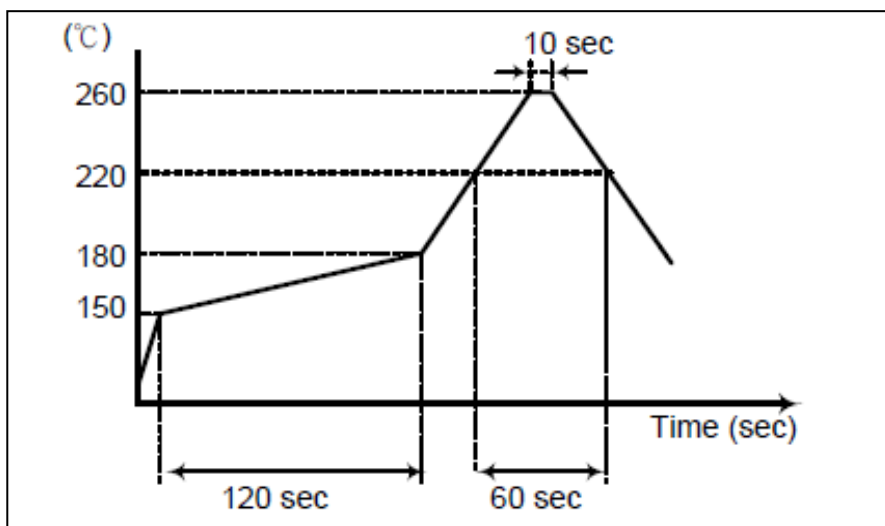


Pad	Function
1	N.C/Ground
2	Ground
3	Output
4	Supply Voltage

MEASUREMENT CIRCUIT

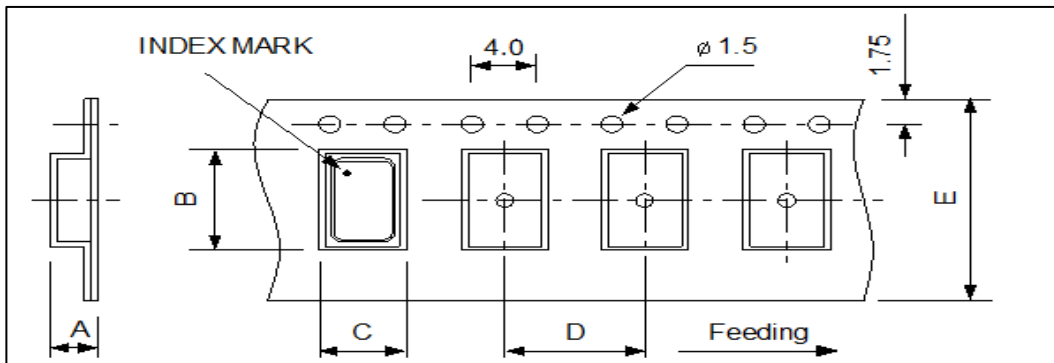


REFLOW CONDITION



The reflow temperature profile may vary depending on the product model, specifications and frequency range. Refer to the individual product specifications for details

CARRIER TYPE



REEL

