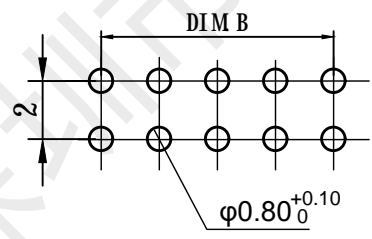
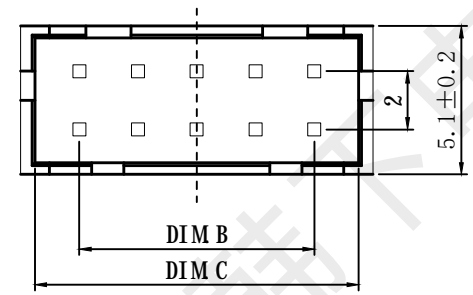
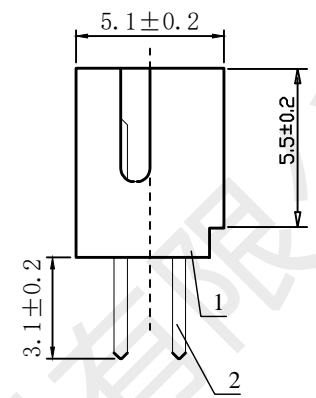
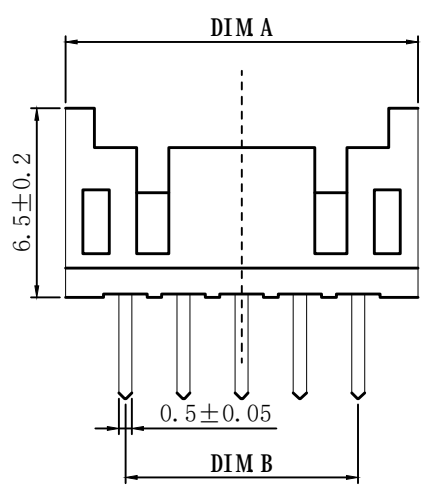


REV.	EC#	DESCRIPTION	DATE DRAWN	CHECK	APPROVED
1.00		初版发行	2020-8-28		



PCB LAYOUT

GENERAL TOLERANCES			
DIM	TOL	DIM	DEG
X.		X°	±3.00°
X.X	±0.35	X.X°	±2.00°
X.XX	±0.25	X.XX°	±1.00°
X.XXX	±0.15	X.XXX°	

NUMBER OF PINS	DIM.A	DIM.B	DIM.C
2x15P	32.0	28.0	30.9
2x14P	30.0	26.0	28.9
2x13P	28.0	24.0	26.9
2x12P	26.0	22.0	24.9
2x11P	24.0	20.0	22.9
2x10P	22.0	18.0	20.9
2x9P	20.0	16.0	18.9
2x8P	18.0	14.0	16.9
2x7P	16.0	12.0	14.9
2x6P	14.0	10.0	12.9
2x5P	12.0	8.0	10.9
2x4P	10.0	6.0	8.9
2x3P	8.0	4.0	6.9
2x2P	6.0	2.0	4.9

技术要求:

- 1) 材质:见附表;
- 2) 电镀:见附表;
- 3) 塑件表面平整、光洁、无毛刺、气泡、烧焦、变形、浇口无拉伤、多料或缺料等不良现象;
- 4) 端子表面无氧化、电镀不良等现象。

温度范围: -25°C~85°C
 额定电压: 250V AC/DC
 额定电流: 3A AC/DC
 接触电阻: ≤0.02Ω
 绝缘电阻: ≥1000MΩ
 耐压值: 800V AC/minute
 适用基板厚度: 1.6mm

2	PIN	n PCS	材质:黄铜,电镀:镀亮锡
1	Housing	1 PCS	材质:PA6T (耐温UL94V-0),颜色:米色
NO.	NAME	Q'TY	DESCRIPTION

韩下 HANXIA 深圳市韩下电子有限公司

DRAW :	黄彬	2020-8-28	TITLE:	针座	DRAW NAME:	HX-PHD2.0-2x2A
DESIGN:			SERIES:	PHD SERIES	DRAW NO.	
CHECK:	张伟	2020-8-28	P/N:		UNIT:	mm
APPROVED	罗小春	2020-8-28	REV. 1.00	SCALE N/A	SHEET:	1/1
CUSTOMER DRAWING						