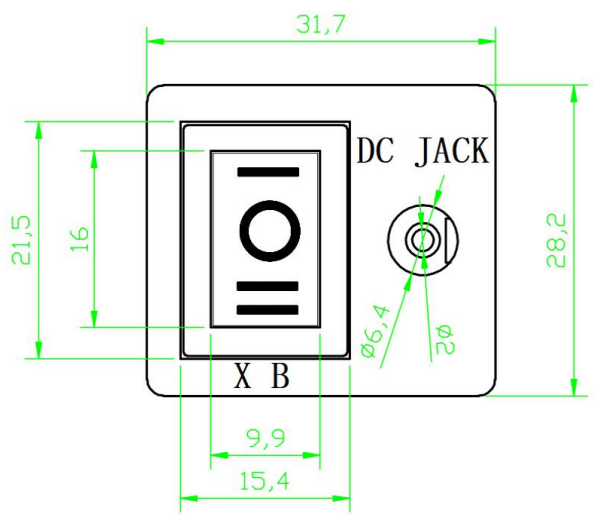
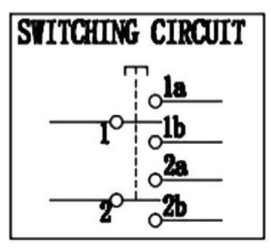
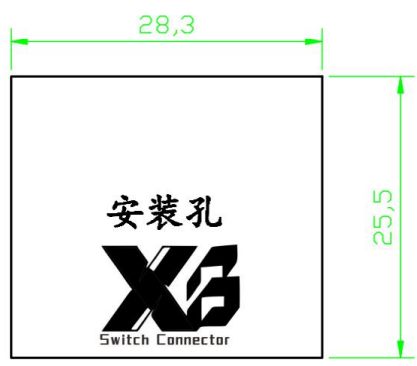
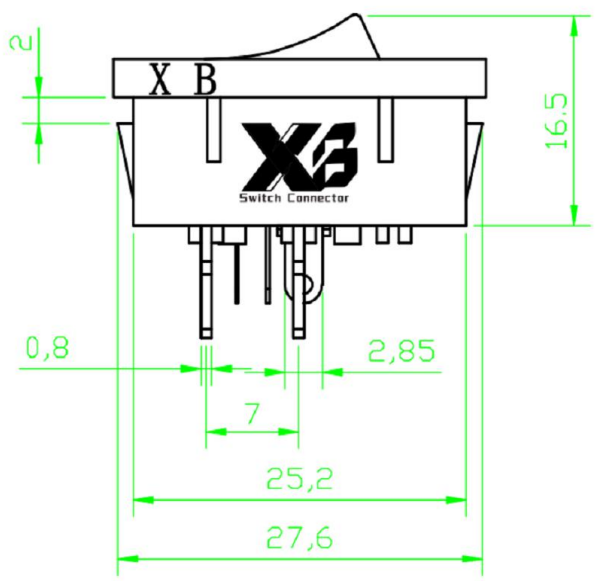
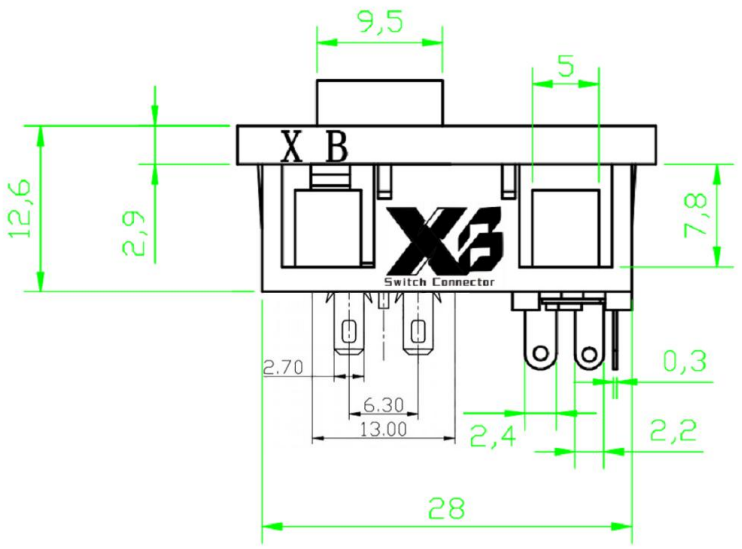


CAD FILE:

ROHS



SWITCH+DC SOCKET TWO IN ONE TECHNICAL PARAMETERS

一、ROCKER SWITCH & SPECIFICATION

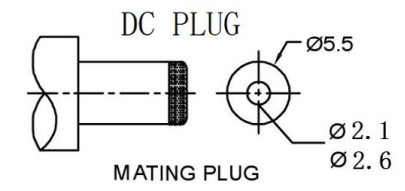
NOTES:

1. Rating: 6A 10A 125V 250V AC
CQC 6A 250VAC
6(8)A 250VAC
8A/128A 250VAC T105/55
UL CUL 10GPA 125VAC
6GPA 250VAC T105/55
VDE ENEC 6(4)A 250VAC T85/55
KC 6(4)A 250VAC T85/55
2. Circuit Diagram: 2P ON-OFF/3P ON-OFF-ON
3. Terminal Strength: ≥80N
4. Electrical life: ≥10000 cycles
5. Withstand Voltage: Withstand Voltage: 1500VAC 1min
Terminals to Button: 3000VAC 1min
6. Leakage Current: 1mA
7. Current resistance: ≤50mΩ (initial)
8. Insulation resistance: > 100M Ω
9. Body Material: NYLON 66 94V-2`0

二、DC JACK & SPECIFICATION

NOTES:

1. Rating : DC 12V 30V, 1A 3A
2. Contact resistance : ≤30MΩ
3. Insulation resistance : > 100MN
4. Withstand voltage : 500VAC
5. Insertion and extraction force : 3-20N
6. Electrical life : >10,000 cycles



DC JACK SCHEMATIC							
CENTER PIN	<table border="1"> <tr> <td>1</td> <td>Ø2.0mm</td> </tr> <tr> <td>2</td> <td>Ø2.5mm</td> </tr> <tr> <td>3</td> <td></td> </tr> </table>	1	Ø2.0mm	2	Ø2.5mm	3	
1	Ø2.0mm						
2	Ø2.5mm						
3							

8					TOLERANCE				
7					UNLESS SPECIFIED				
6					WITHIN 1.5mm : ±0.1mm	A	2012-9-25	初版	ZENQ. CHEN
5					OVER 1.5mm : ±0.2mm	ISSUE	DATE	DESCRIPTIONS OF REVISION	APPD.
4	CONTACT	SUS	1	Ag CLAD	TITLE : Rotary Switch			UNIT : mm	DRWG NO.: XB-RS-DC-12
3	CASE	PPA/BRASS SRTIP	1	BLACK/Ag PLATED	MODEL: XB-RS-DC-12			SCALE: 5:1	DWN. JUN. YANG 2012-9-25
2	COVER	STEEL STRIP	1	Ni PLATED	东莞市溪榜电子有限公司 DONG GUAN XI BANG ELECTRONI CS CO., LTD.			CHK'D	DONG. PANG 2012-9-25
1	KNOB	PPA	1	BLACK				APPD.	ZENQ. CHEN 2012-9-25
NO.	PARTS	MATERIALS	Q'TY	FINISH					