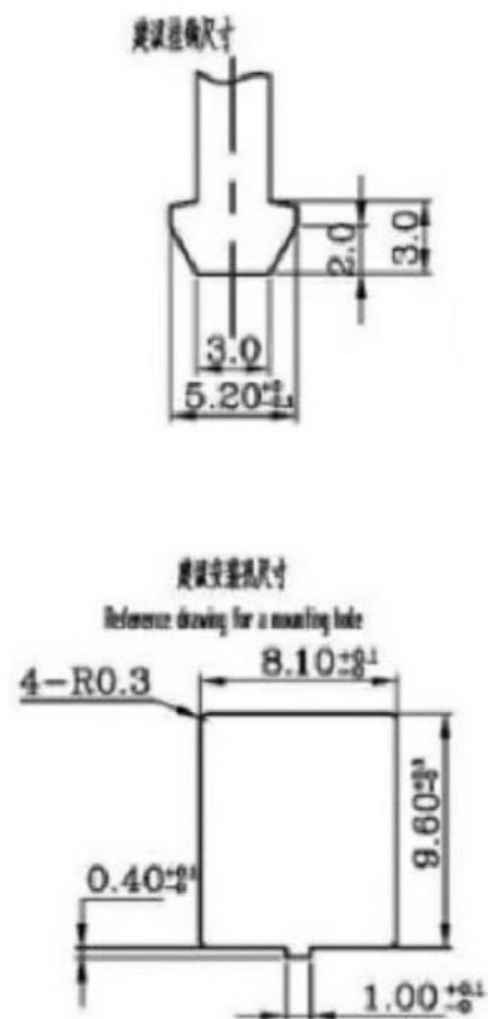
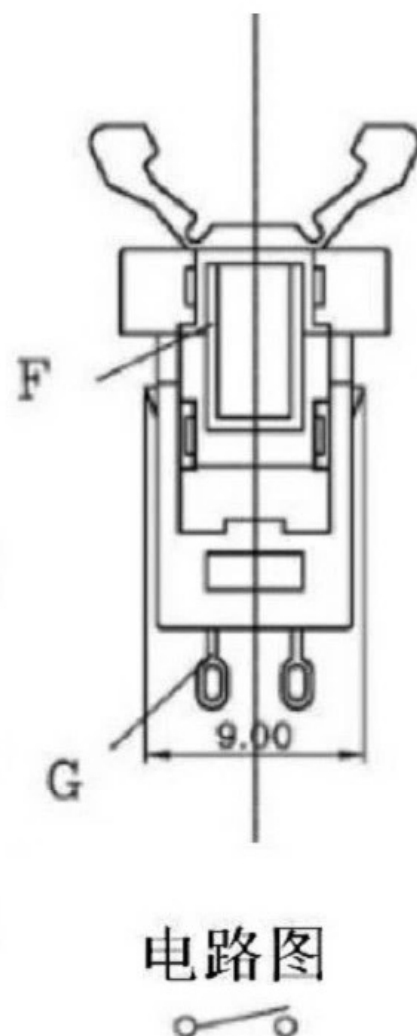
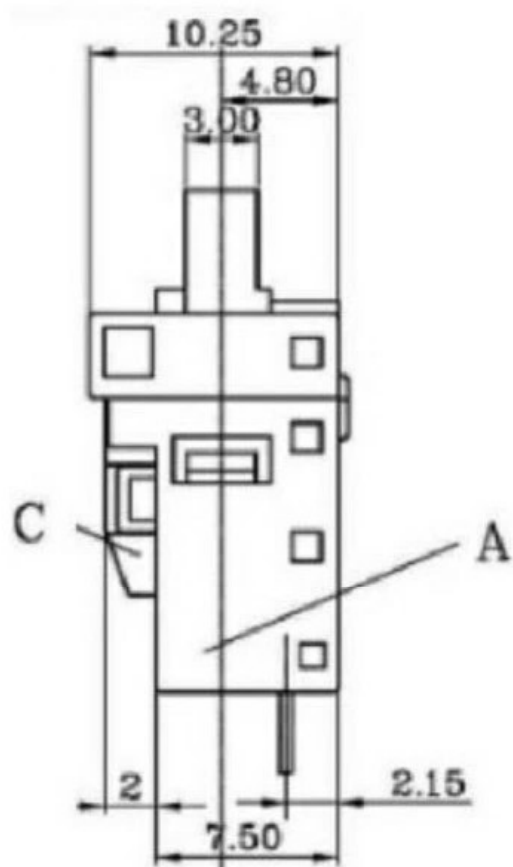
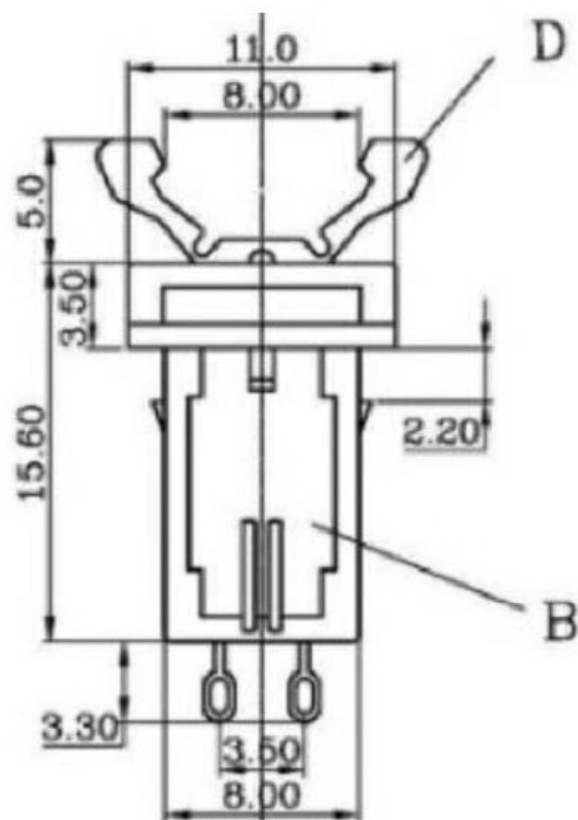


REVISION

A

RoHS



TITLE	DOOR LATCH SWITCH	DRAWN	TOLERANCE OTHERWISE UNLESS SPECIFIED	8				
PART NO.		CHECKED	UP TO 5	±0.2	6			
DRAW NO.	DL1	APPROVED	ABOVE 5 ~ 30	±0.3	5			
SCALE: 2:1	UNIT: mm	DATE:	ABOVE 30 ~ 50	±0.4	4			
			ABOVE 50	±0.5	3	SPRING	SUS	1 NI PLATED
			ANGLE	±3'	2	HOUSING	POM	1 BLACK
					1	SLIDER	PA12	1 BLACK
					NO.	PART'S	MATERIAL	QTY. FINISHING