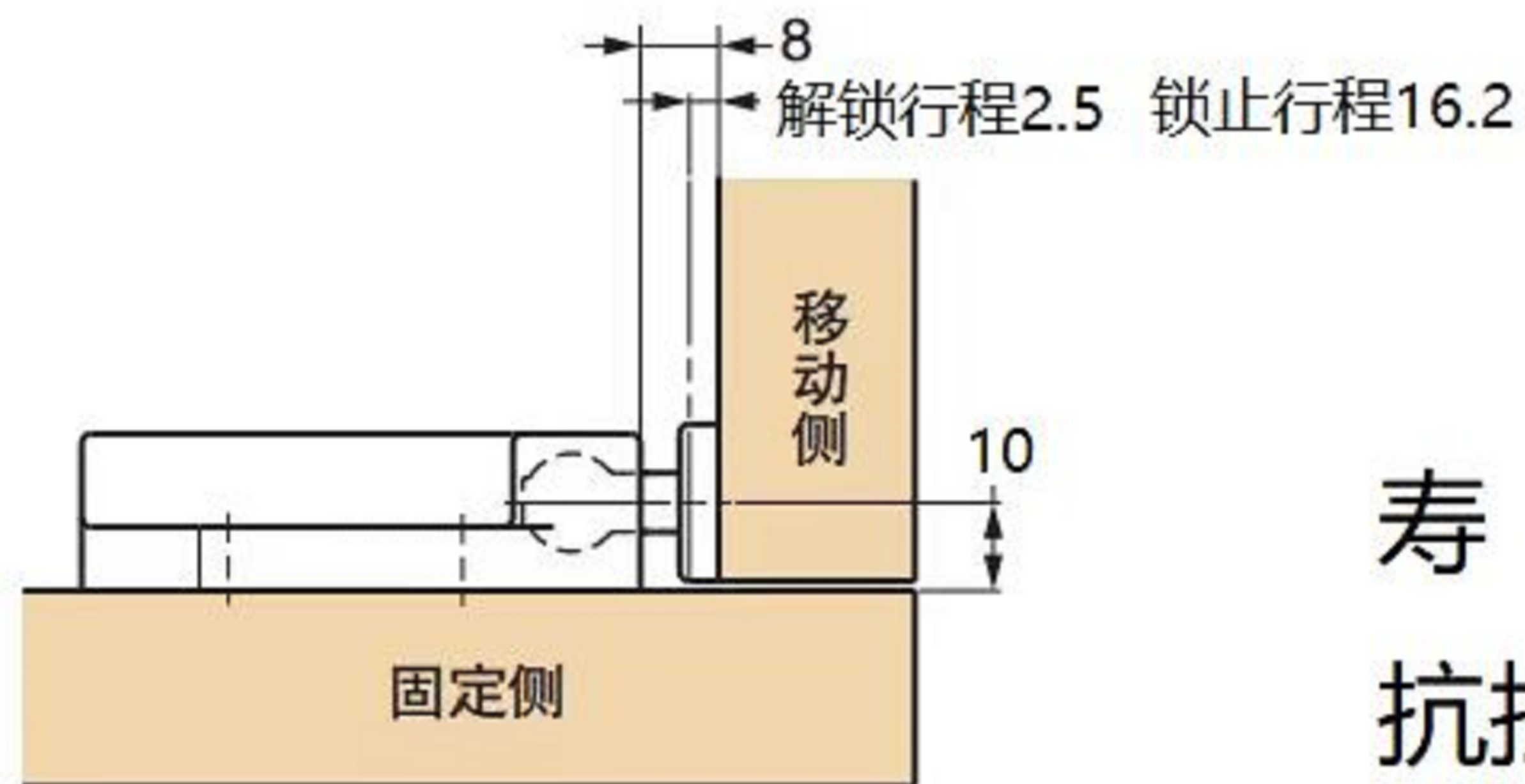
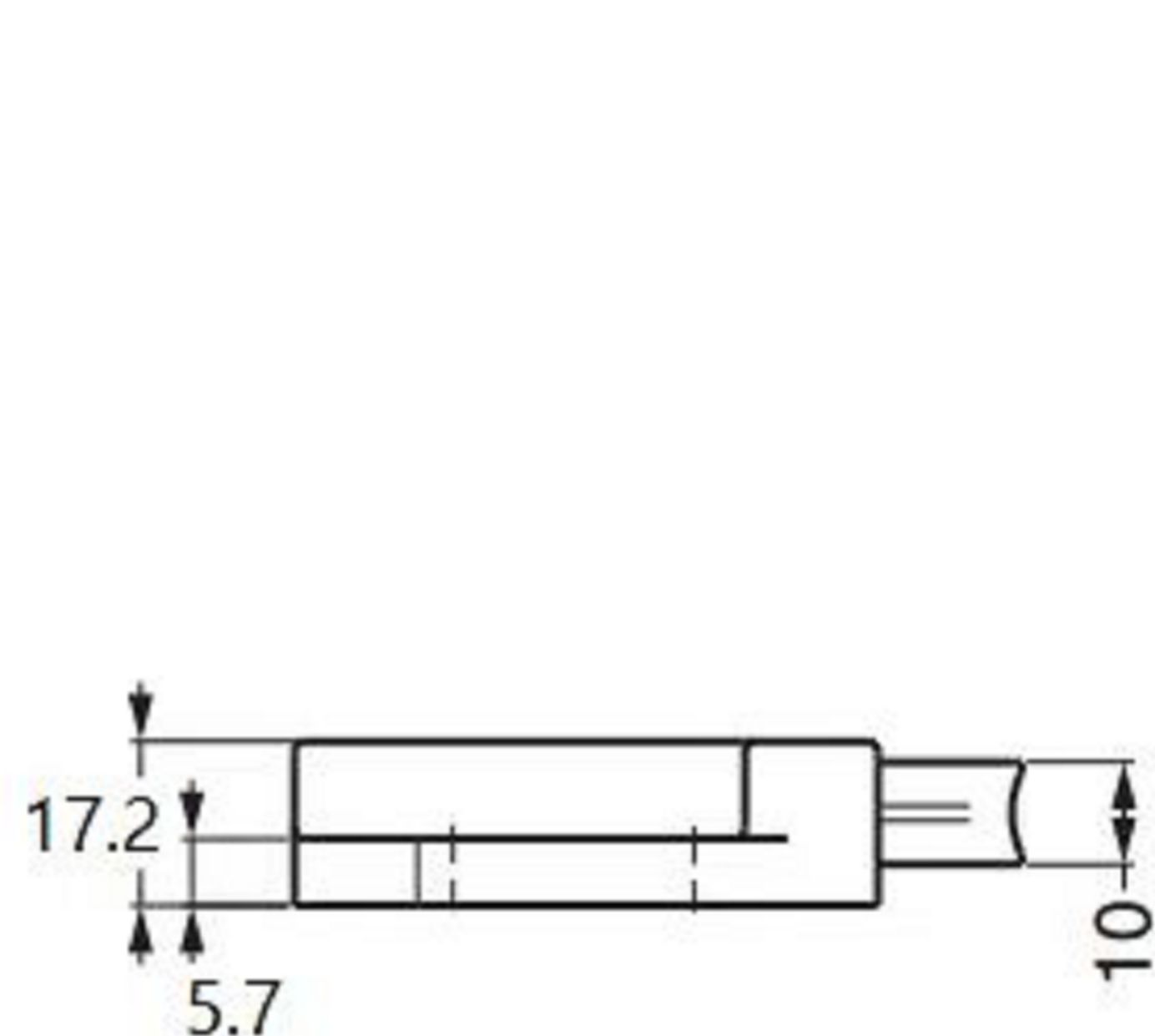
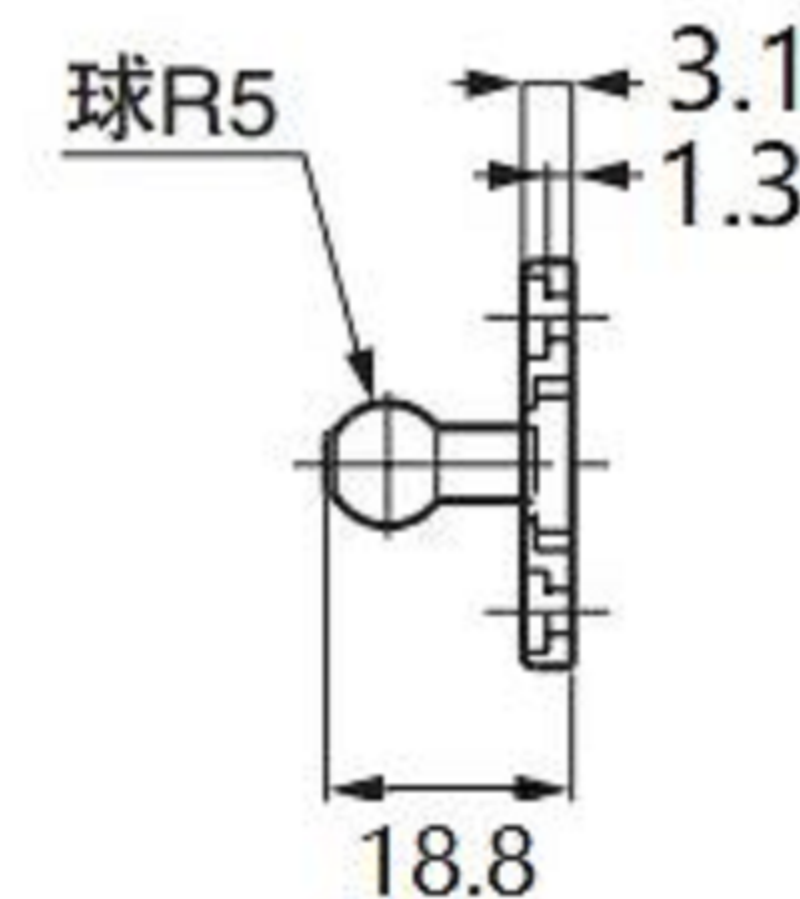
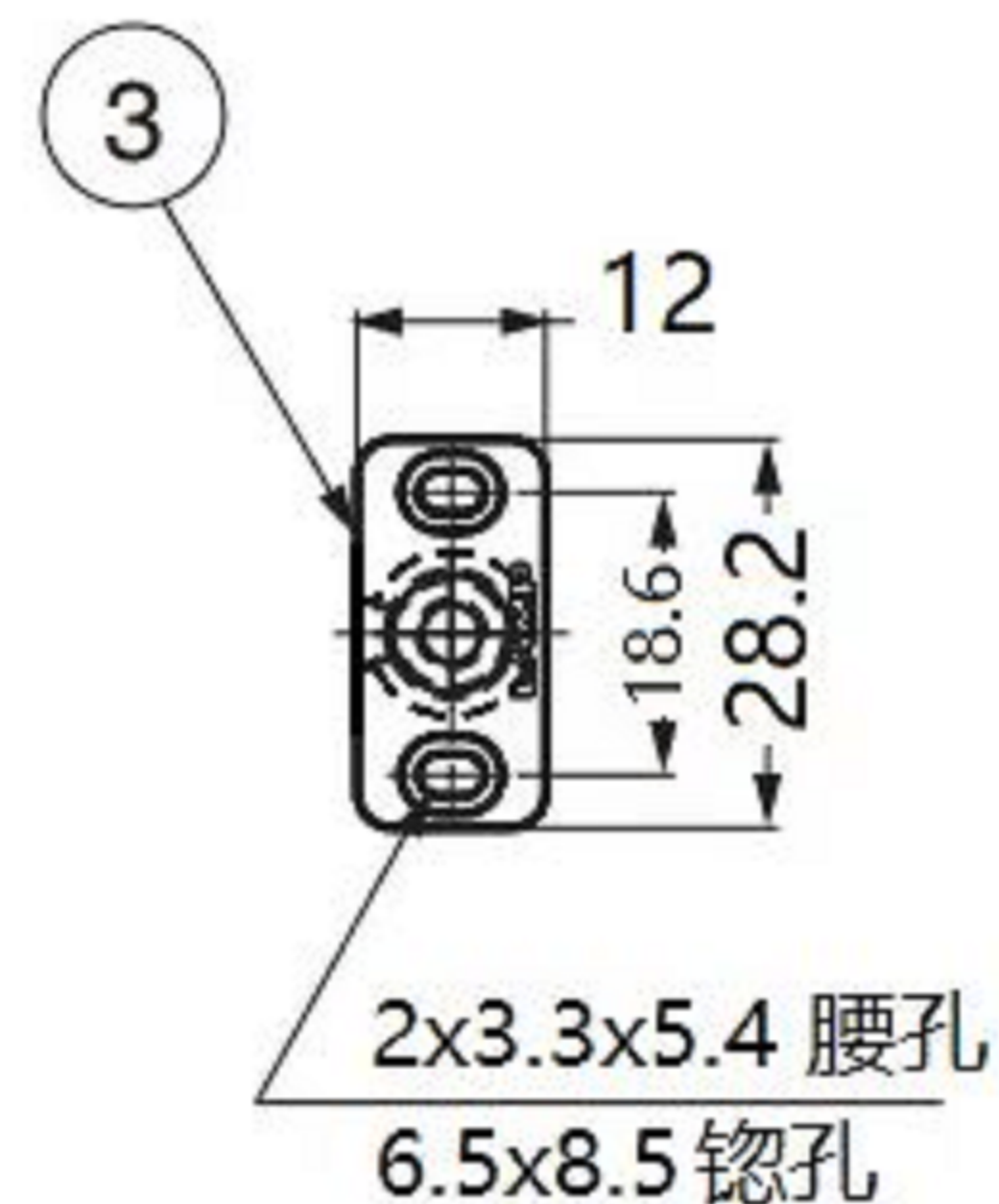
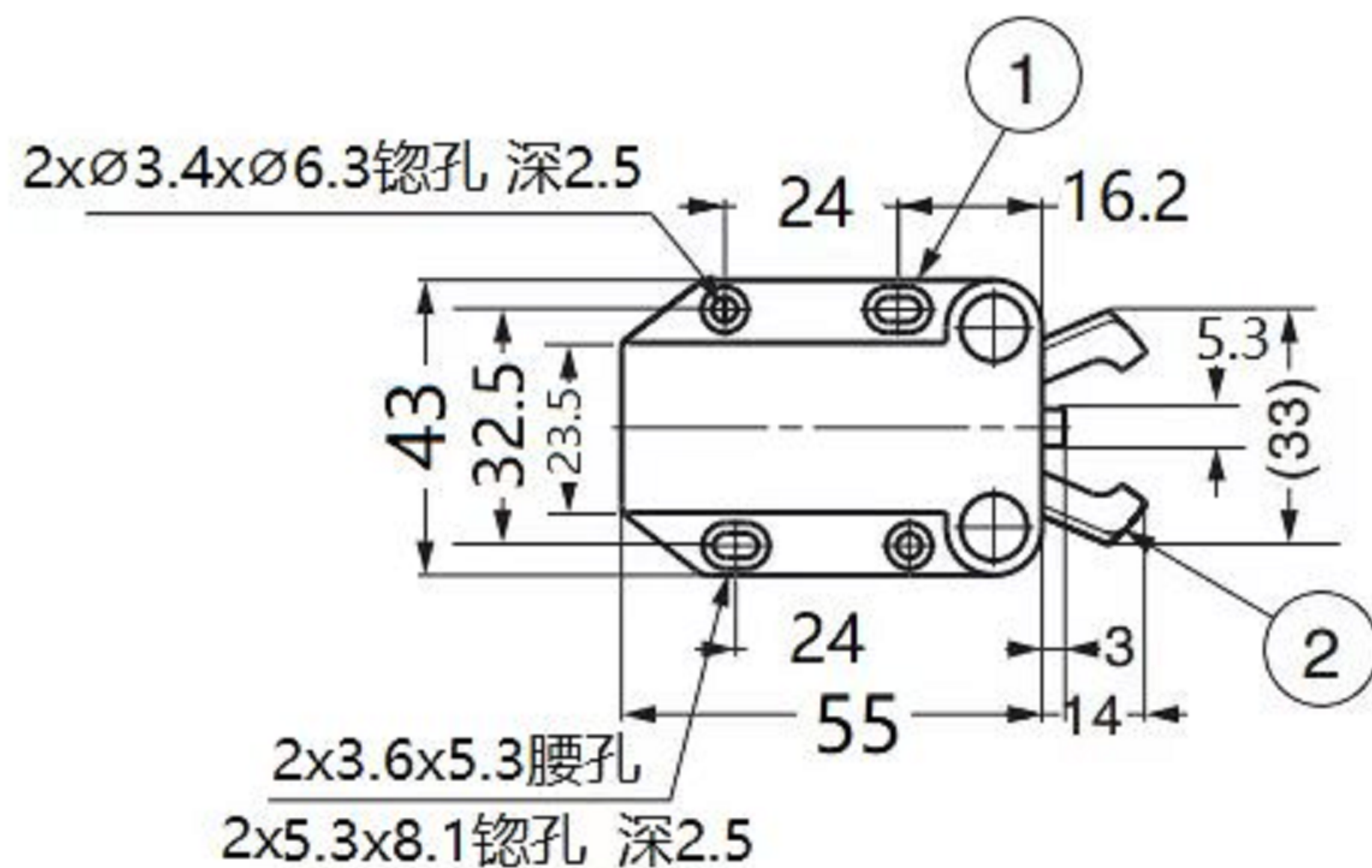


CAD FILE:



寿命: 1万次
抗拉力: 100N

注: "*"表示关键尺寸(3个).

NO.	PARTS	MATERIALS	Q'TY	FINISH	TOLERANCE UNLESS SPECIFIED						
8					WITHIN 1.5mm : ±0.1mm						
7					OVER 1.5mm : ±0.2mm						
6					A	27-Dec-2019	初版				
5					ISSUE	DATE	DESCRIPTIONS OF REVISION		APPD.		
4	LOCK NEEDLE	SUS	1	NATURAL	TITLE : DOOR LOCK SWITCH			UNIT : mm	DRWG NO.:		
3	SPRING	STEEL WIRE	1	TEMPER	MODEL:			SCALE: 3:1	DWN.	ZENQ. CHEN	27-Dec-2019
2	HOUSING	POM	1	WHITE	DONG GUAN XI BANG ELECTRONI CS CO., LTD.			CHK'D	JUN . PANG	27-Dec-2019	
1	KNOB	NYLON	1	WHITE				APPD.	LIANG . WU	27-Dec-2019	