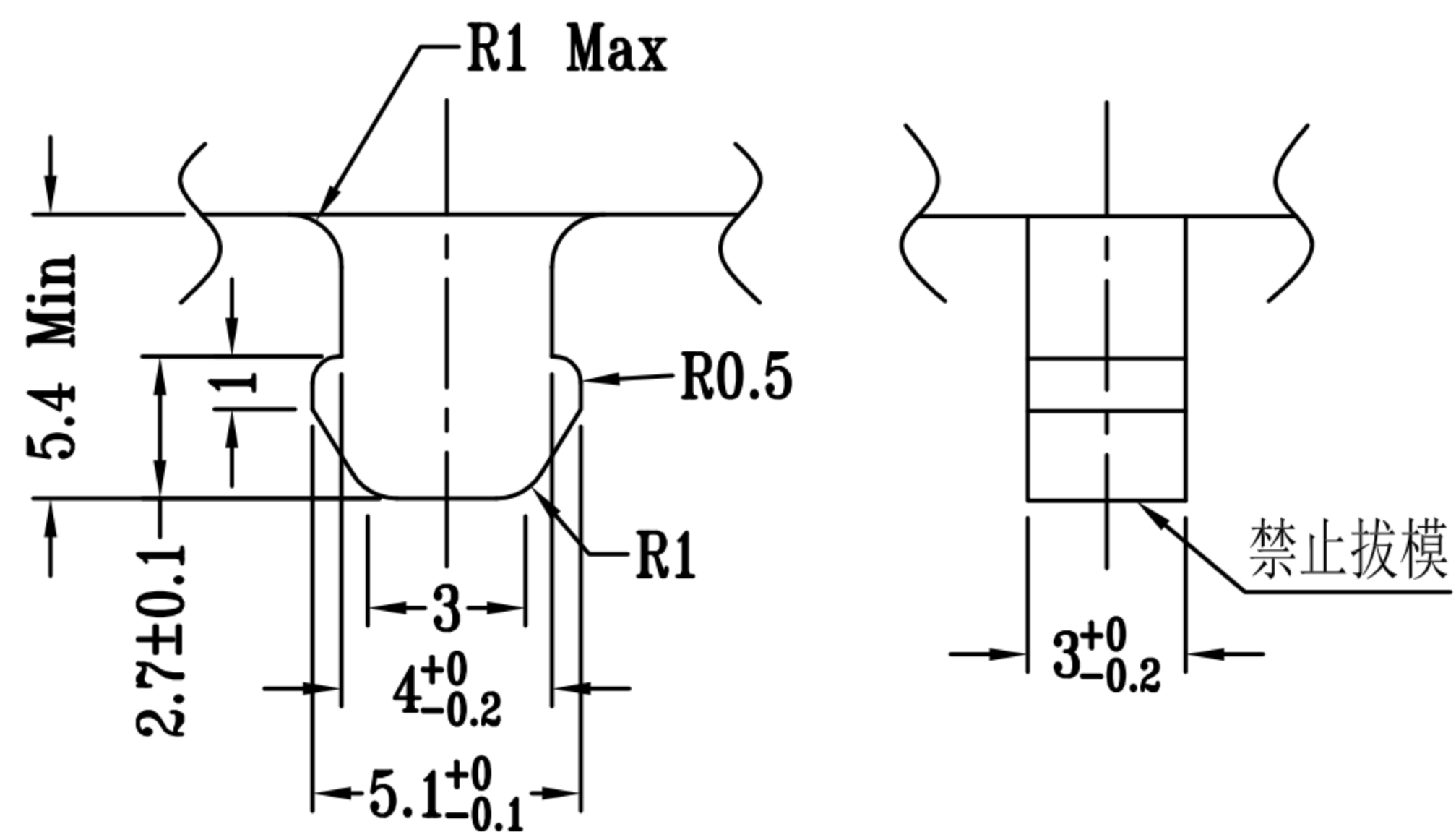
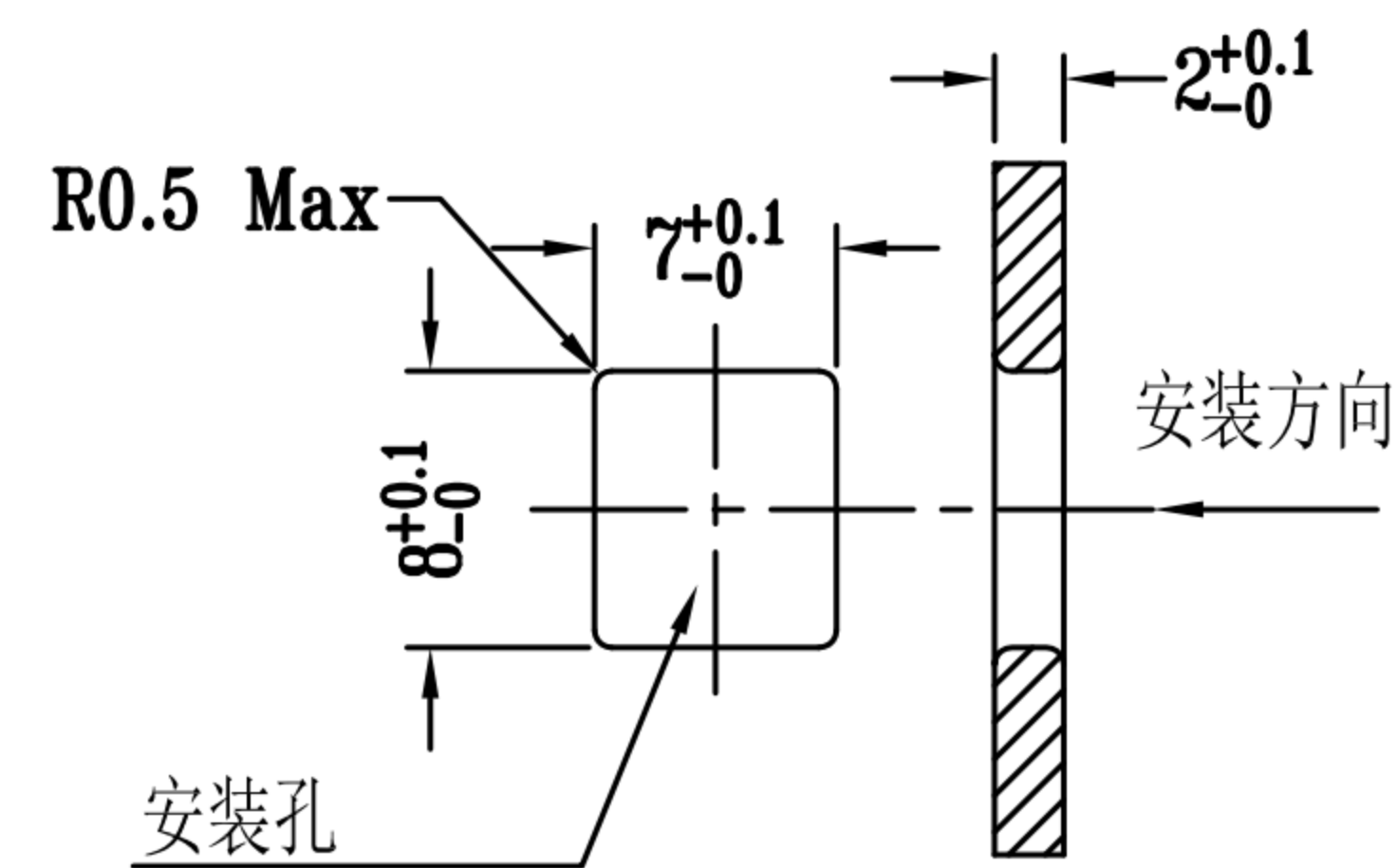
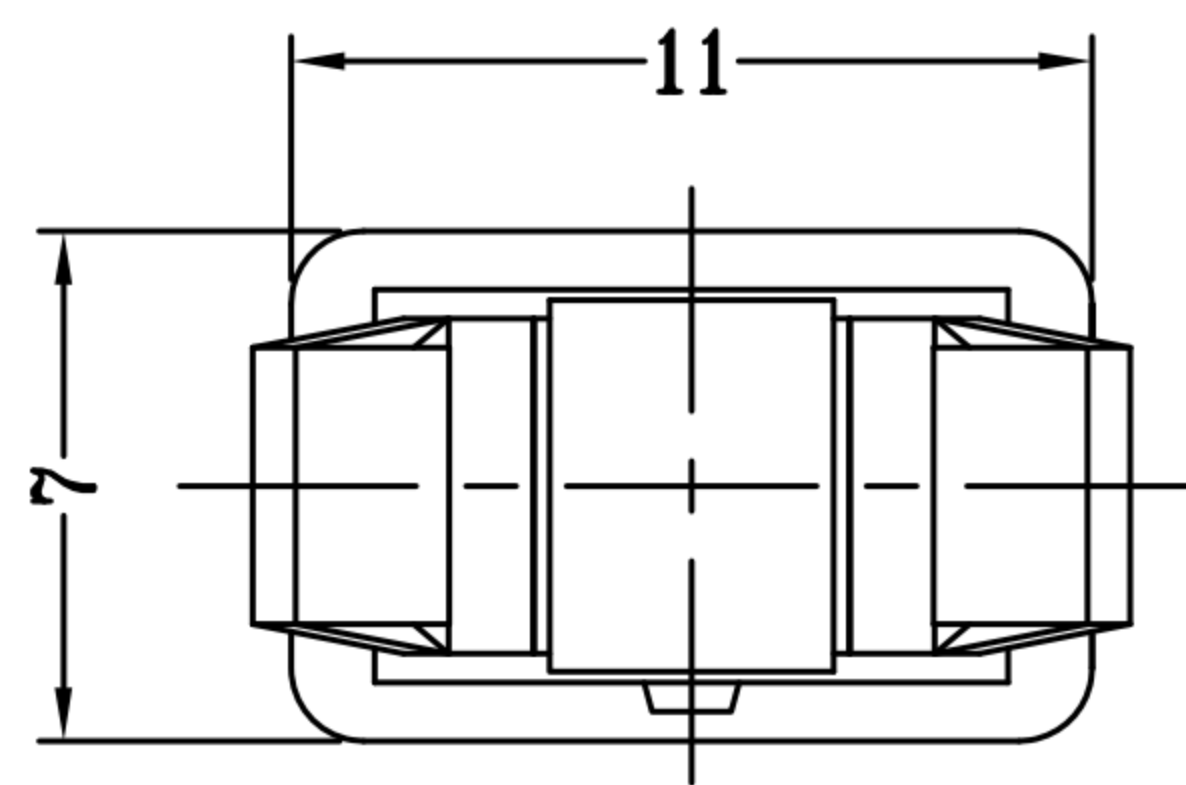


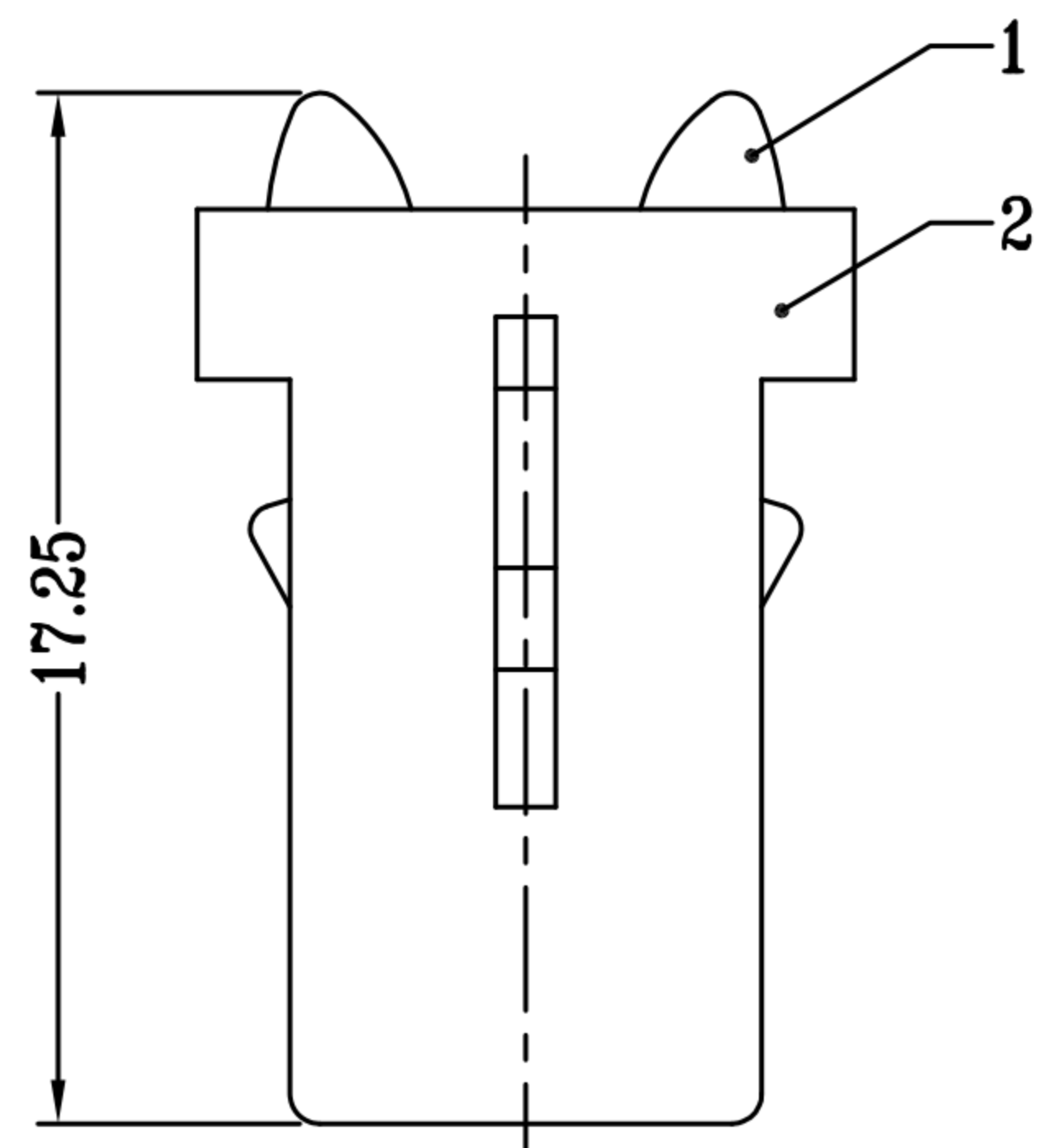
CAD FILE:



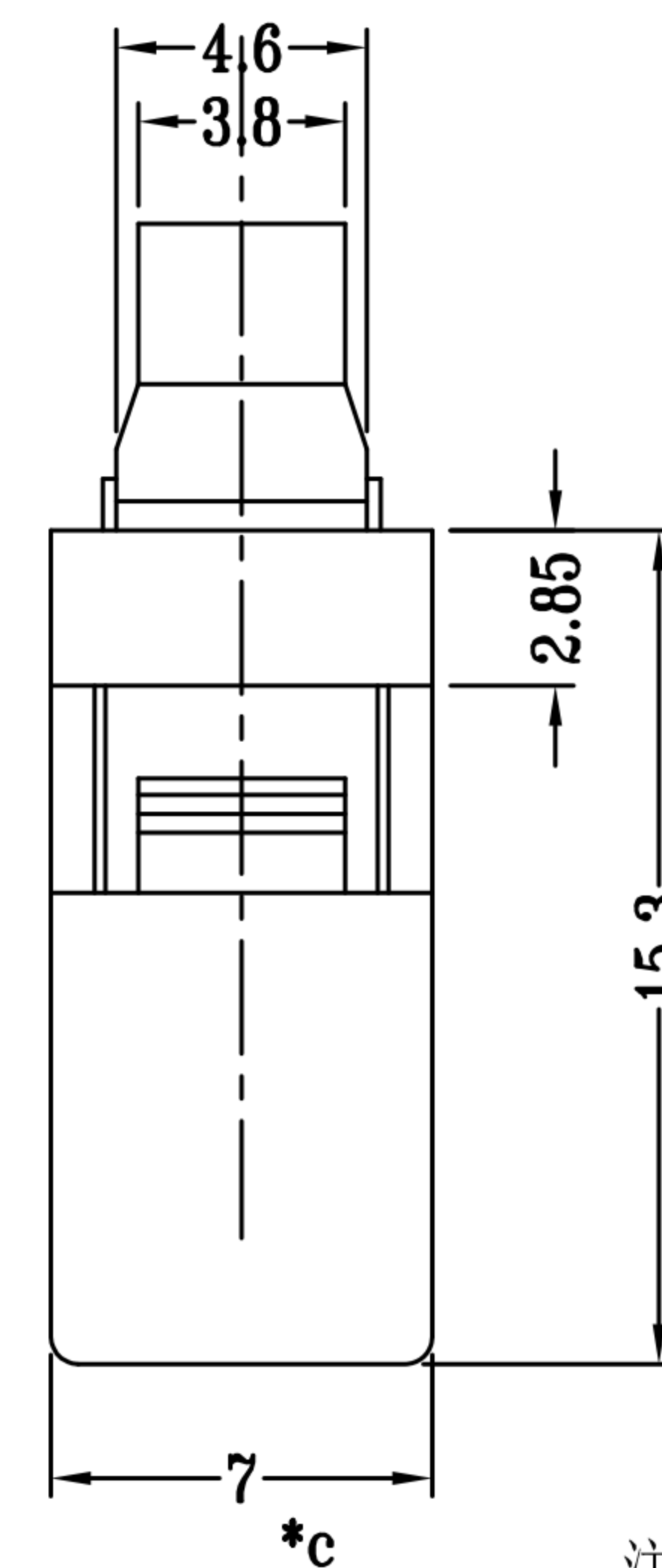
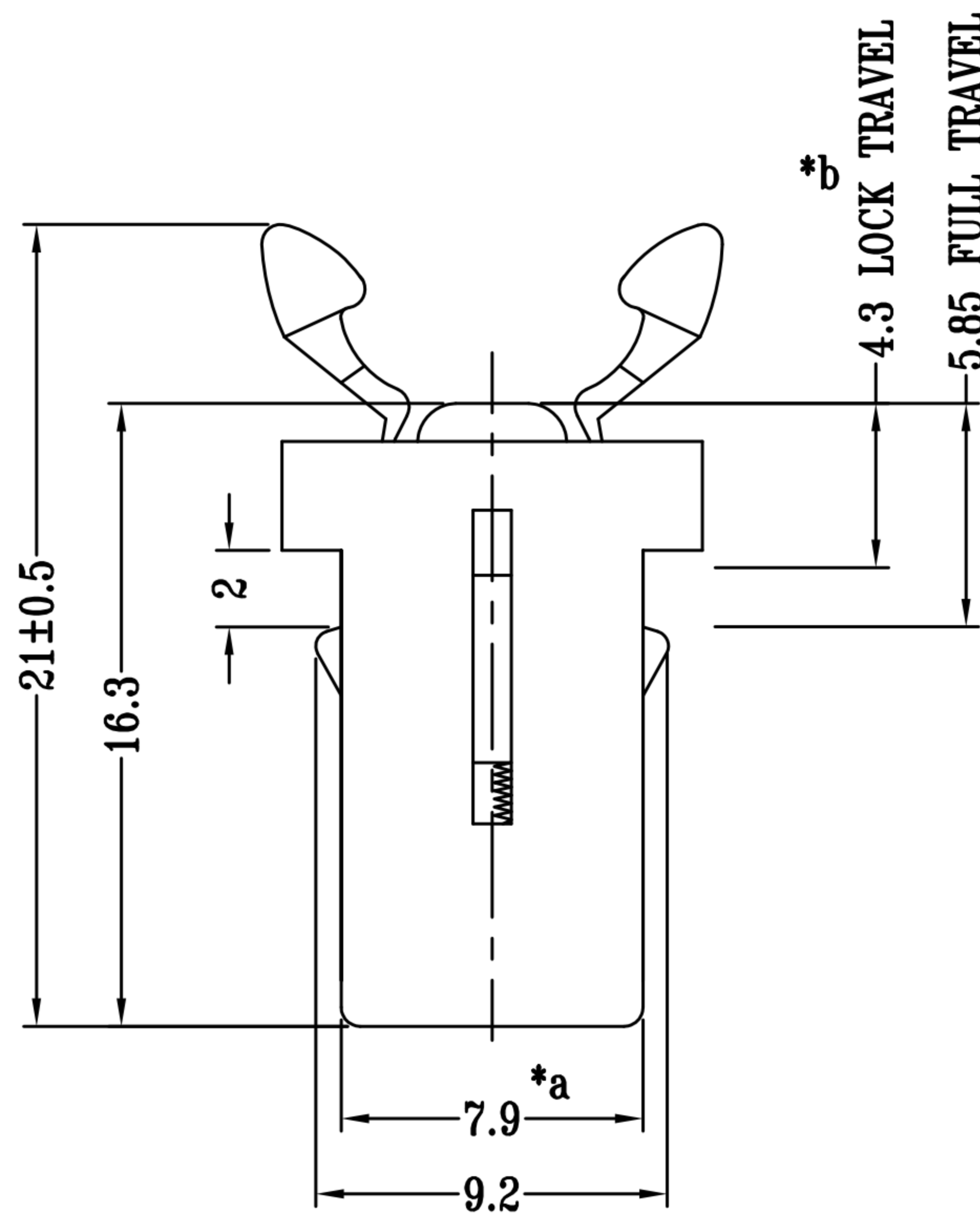
开关压头形状 (推荐使用)



安装板形状 (参考)
比例: 1:2



LOCKED



注: "*"表示关键尺寸(3个).

NO.	PARTS	MATERIALS	Q'TY	FINISH	TOLERANCE UNLESS SPECIFIED					
8					WITHIN 1.5mm	±0.1mm	A	27-Dec-2019	初版	
7					OVER 1.5mm	±0.2mm	ISSUE	DATE	DESCRIPTIONS OF REVISION	
6					TITLE : DOOR LOCK SWITCH			UNIT : mm		
5				MODEL: XB-PR-01						
4	LOCK NEEDLE	SUS	1				NATURAL	DONG GUAN XI BANG ELECTRONICS CO., LTD.		
3	SPRING	STEEL WIRE	1	TEMPER	CHK'D	陈远锋	27-Dec-2019			
2	HOUSING	POM	1	WHITE	APPD.	陈远锋	27-Dec-2019			
1	KNOB	NYLON	1	WHITE						