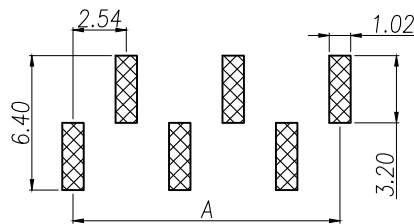
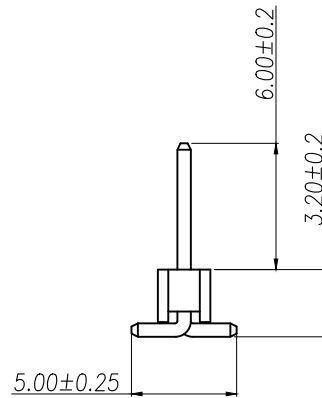
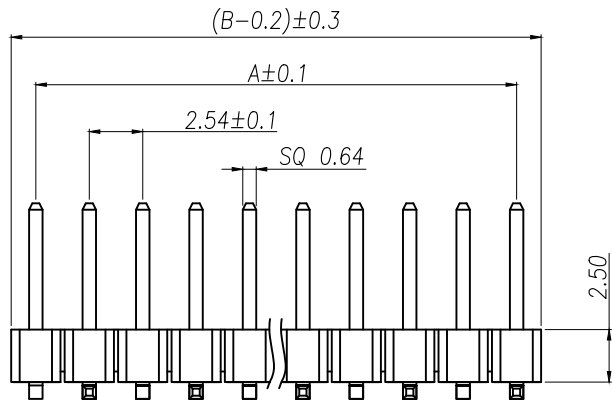
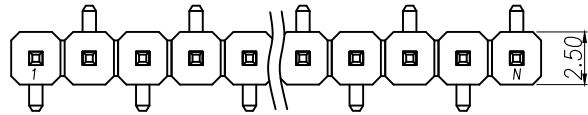


REV.	Q'TY	ECN. NO.	APR.	DATE

### SPECIFICATIONS

Current Rating: 3Amps  
 Insulation Resistance: 1000MΩ Min  
 Contact Resistance: 20mΩ Max  
 Withstanding Voltage: AC 1000V  
 Operation Temperature: -40° to +105°  
 Contact Material: Brass  
 Standard: PA6T  
 Insulator Material: Polyester(UL 94V-0)  
 Contact Plating: Gold Flash  
 Max.Processing Temp: 240°C for 30-60seconds  
 (260°C for 5seconds)



RECOMMEND P.C.B LAYOUT  
PCB TOLERANCE: ±0.05 (TOP VIEW)

P-B01/N	P-B01IN	DIM.A	DIM.B
XY-P-B01Z254VS-11-01P-B01	1	0.00	2.54
XY-P-B01Z254VS-11-02P-B01	2	2.54	5.08
XY-P-B01Z254VS-11-03P-B01	3	5.08	7.62
XY-P-B01Z254VS-11-04P-B01	4	7.62	10.16
XY-P-B01Z254VS-11-05P-B01	5	10.16	12.70
XY-P-B01Z254VS-11-06P-B01	6	12.70	15.24
XY-P-B01Z254VS-11-07P-B01	7	15.24	17.78
XY-P-B01Z254VS-11-08P-B01	8	17.78	20.32
XY-P-B01Z254VS-11-09P-B01	9	20.32	22.86
.....	.....	.....	.....
XY-P-B01Z254VS-11-40P-B01	40	(P-B01IN-1)X2.54	(P-B01IN)X2.54 4

DIMENSION IN mm		厦门市辛译精密电子有限公司 Xiamen XinYi Xyconn Electronics Co.,Ltd		
TOLERANCE UNLESS OTHERWISE SPECIFIED		APR. Alex	TITLE: 2.54PH H2.5 1xnPin SMT PC5.0 PA6.0 PB3.2 L11.0 6T	
.X±0.35	.X*± 5°	CHK. Jack	DWG NO. XY-PZ254VS-11-NP-B01	
.XX±0.25	.X*± 1	DRA. Can	PROJECT: CUSTOMER DRAWING	
.XXX±0.2	.XX*± 0.5	SIZE A4	SCALE 1:1	SHEET 1/1 REV. A