

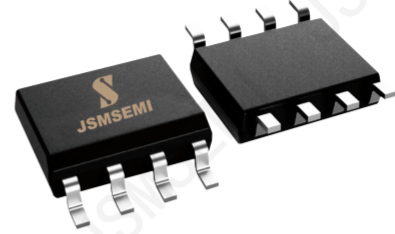
General Description

The LM2675MX regulator is monolithic integrated circuit ideally suited for easy and convenient design of a step-down switching regulator (buck converter). It is capable of driving a 1.0A load with excellent line and load regulation. This device is available in adjustable output version. It is internally compensated to minimize the number of external components to simplify the power supply design.

Since LM2675MX converts a switch-mode over supply, its efficiency is significantly higher in comparison with popular three-terminal linear regulators, especially with higher input voltages. The LM2675MX operates at a switching frequency of 300 kHz thus allowing smaller sized filter components than what would be needed with lower frequency switching regulators. Available in a standard SOP8 Surface Mount packages. The other features include a guaranteed $\pm 4\%$ tolerance on output voltage within specified input voltages and output load conditions, and $\pm 15\%$ on the oscillator frequency. External shutdown is included, featuring 50 μ A (typical) standby current. Self protection features include switch cycle-by-cycle current limit for the output switch, as well as thermal shutdown for complete protection under fault conditions.

Features

- ◆ Adjustable Output Voltage Range 1.23V~37V
- ◆ 3.3V, 5V, 12V, and adjustable versions
- ◆ Guaranteed 1.0 A Output Load Current
- ◆ Wide Input Voltage Range up to 40V
- ◆ 300kHz Fixed Frequency Internal Oscillator
- ◆ TTL Shutdown Capability
- ◆ Low Power Standby Mode, typ 50 μ A
- ◆ Thermal Shutdown and Current Limit Protection
- ◆ Internal Loop Compensation
- ◆ Moisture Sensitivity Level (MSL) Equals 1
- ◆ These are Pb-Free Devices

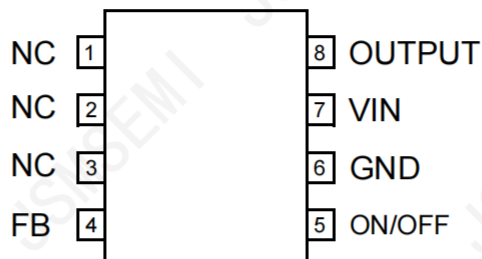


SOP-8

Applications

- ◆ Simple High-Efficiency Step-Down (Buck) Regulator
- ◆ Efficient Pre-Regulator for Linear Regulators
- ◆ On-Card Switching Regulators
- ◆ Positive to Negative Converter (Buck-Boost)
- ◆ Negative Step-Up Converters
- ◆ Power Supply for Battery Chargers

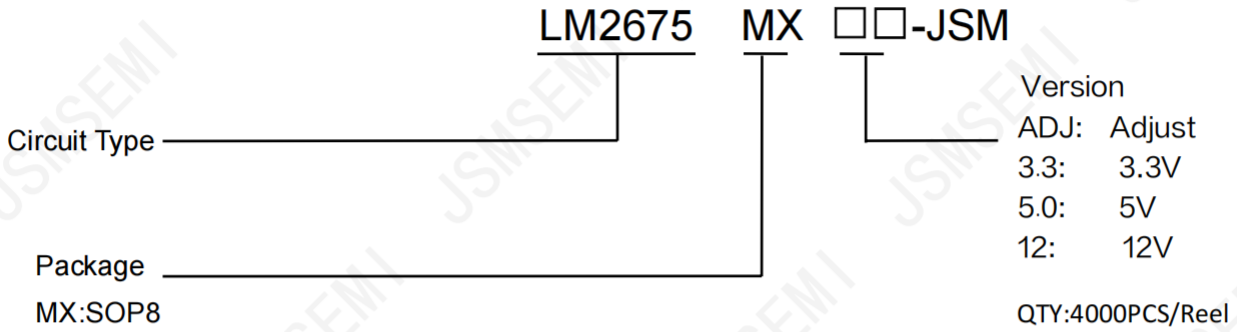
Pin Configurations



Pin Description

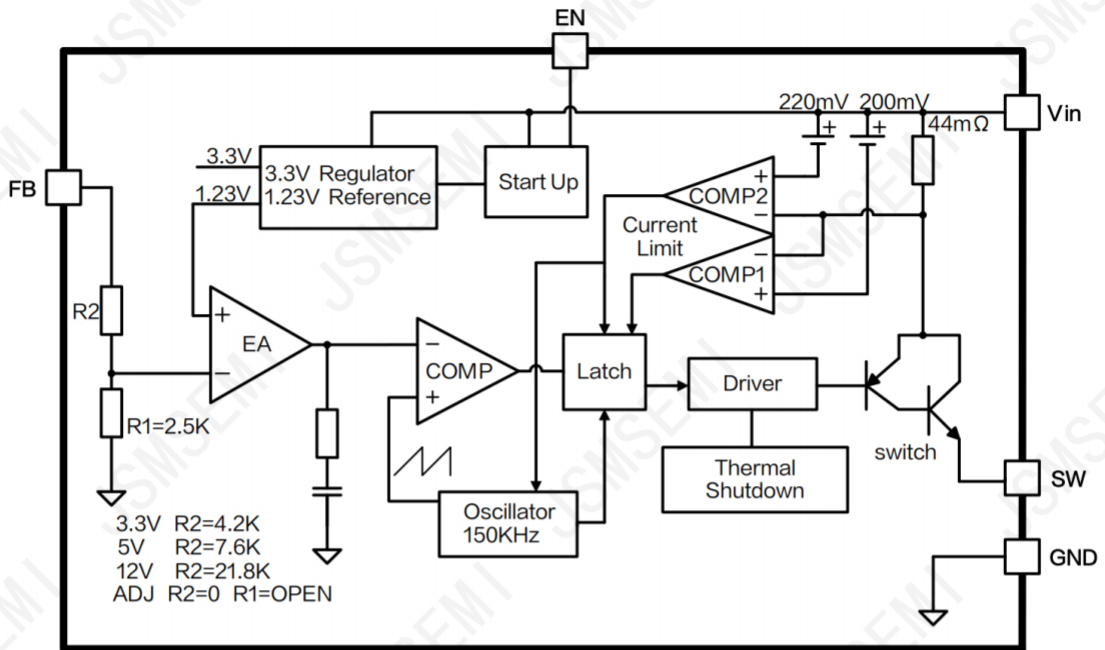
Pin Number	Pin Name	Description
1/2/3	NC	Not Connected
4	FB	This pin is the direct input of the error amplifier and the resistor network R2, R1 is connected externally to allow programming of the output voltage.
5	ON/OFF	Allows the switching regulator circuit to be shut down using logic levels, thus dropping the total input supply current to approximately 50 μ A. The threshold voltage is typical. 1.6 V. Applying a voltage above this value (up to VIN) shuts the regulator on. If the voltage applied to this pin is lower than 0.6 V or if this pin is left open, the regulator will be in the "off" condition.
6	GND	Circuit ground pin. See the information about the printed circuit board layout.
7	VIN	Positive input supply for LM2594 step-down switching regulator. In order to minimize voltage transients and to supply the switching currents needed by the regulator, a suitable input bypass capacitor must be present.
8	OUTPUT	Emitter of the internal switch. The saturation voltage V _{sat} of the output switch is typically 1 V. It should be kept in mind that PCB area connected to this pin should be kept to a minimum in order to minimize coupling to sensitive circuitry.

Ordering Information

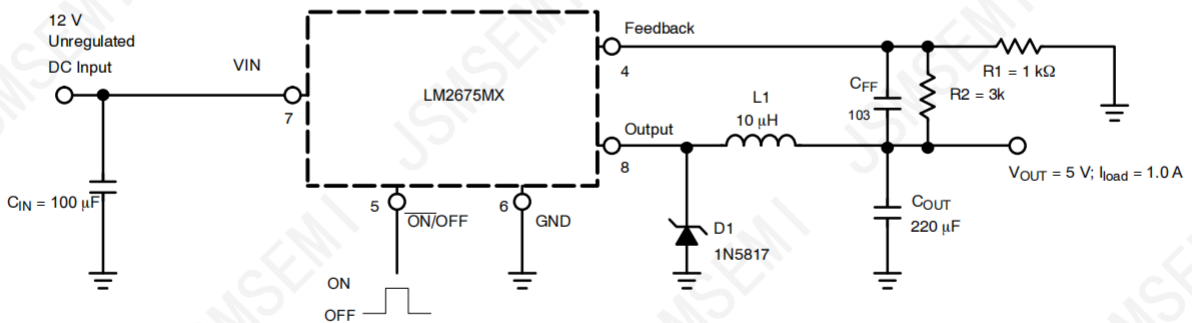


Order Information	Marking ID	Package Type	Eco Plan	Packing Type SuppliedAs
LM2675MX-ADJ-JSM	LM2675MX-ADJ	SOP8	RoHS&HF	4000 Units on Reel
LM2675MX-3.3-JSM	LM2675MX-3.3	SOP8	RoHS&HF	4000 Units on Reel
LM2675MX-5.0-JSM	LM2675MX-5.0	SOP8	RoHS&HF	4000 Units on Reel
LM2675MX-12-JSM	LM2675MX-12	SOP8	RoHS&HF	4000 Units on Reel

Function Block



Typical Application Circuit



VIN=8V~40V,VOUT=5V/1.0A)

Absolute Maximum Ratings

Note1: Stresses greater than those listed under Maximum Ratings may cause permanent damage to the device. This is a stress rating only and functional operation of the device at these or any other conditions above those indicated in the operation is not implied. Exposure to absolute maximum rating conditions for extended periods may affect reliability.

Parameter	Symbol	Value	Unit
Input Voltage	V_{IN}	-0.3 to 45	V
Feedback Pin Voltage	V_{FB}	-0.3 to V_{IN}	V
Enable Pin Voltage	V_{EN}	-0.3 to V_{IN}	V
Switch Pin Voltage	V_{SW}	-0.3 to V_{IN}	V
Power Dissipation	P_D	Internally limited	mW
Operating Junction Temperature	T_J	-40~125	°C
Storage Temperature	T_{STG}	-65 to 150	°C
Lead Temperature (Soldering, 10 sec)	T_{LEAD}	260	°C
ESD (HBM)		2000	V
MSL		Level3	
Thermal Resistance-Junction to Ambient	$R_{\theta JA}$	85	°C / W
Thermal Resistance-Junction to Case	$R_{\theta JC}$	45	°C / W

Electrical Characteristics (DC Parameters)

V_{in} = 12V for the 3.3V, 5V, and Adjustable versions and V_{in} =24V for the 12V version, $GND=0V$, V_{in} & GND parallel connect a 220 μ F/50V capacitor; I_{out} =500mA, T_a = 25°C; the others floating unless otherwise specified.

Parameters	Symbol	Test Condition	Min.	Typ.	Max.	Unit
Input operation voltage	V_{in}		4.5		40	V
Shutdown Supply Current	I_s	$V_{EN}=5V$		50	200	μ A
Quiescent Supply Current	I_q	$V_{EN}=0V$, $V_{FB}=V_{in}$		4.5	10	mA
Oscillator Frequency	F_{osc}		240	300	330	Khz
Switch Current Limit	I_L	$V_{FB}=0V$		2.0		A
EN Pin Threshold	V_{EN}	High (Regulator ON) Low (Regulator OFF)		1.4 0.8		V
EN Pin Input Leakage Current	I_H	$V_{EN}=2.5V$ (ON)		8	15	μ A
	I_L	$V_{EN}=0.5V$ (OFF)		0.5	5	μ A
Output Saturation Voltage	V_{CE}	$V_{FB}=0V$ $I_{out}=1A$		1.0	1.2	V
Max. Duty Cycle	D_{MAX}	$V_{FB}=0V$		95		%

LM2675MX-3.3 Electrical Characteristics

$T_a = 25^\circ\text{C}$; unless otherwise specified.

Symbol	Parameter	Test Condition	Min.	Typ.	Max.	Unit
System parameters test circuit figure6						
VOUT	Output Voltage	Vin = 8V to 40V Iload=0.1A to 1.0A	3.168	3.3	3.432	V
η	Efficiency	Vin=12V, Vout=3.3V Iout=1.0A	-	87	-	%

LM2675MX-5.0 Electrical Characteristics

$T_a = 25^\circ\text{C}$; unless otherwise specified.

Symbol	Parameter	Test Condition	Min.	Typ.	Max.	Unit
System parameters test circuit figure7						
VOUT	Output Voltage	Vin = 8V to 40V Iload=0.1A to 1.0A	4.8	5	5.2	V
η	Efficiency	Vin=12V, Vout=5V, Iout=1.0A	-	88	-	%

LM2675MX-12 Electrical Characteristics

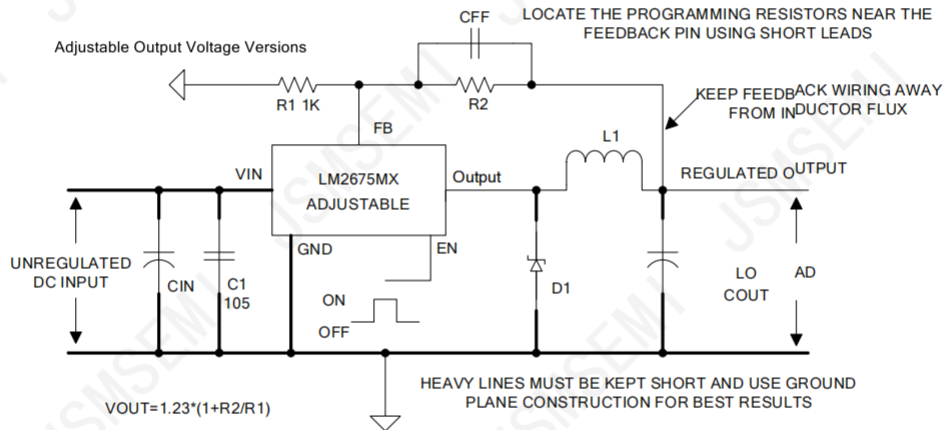
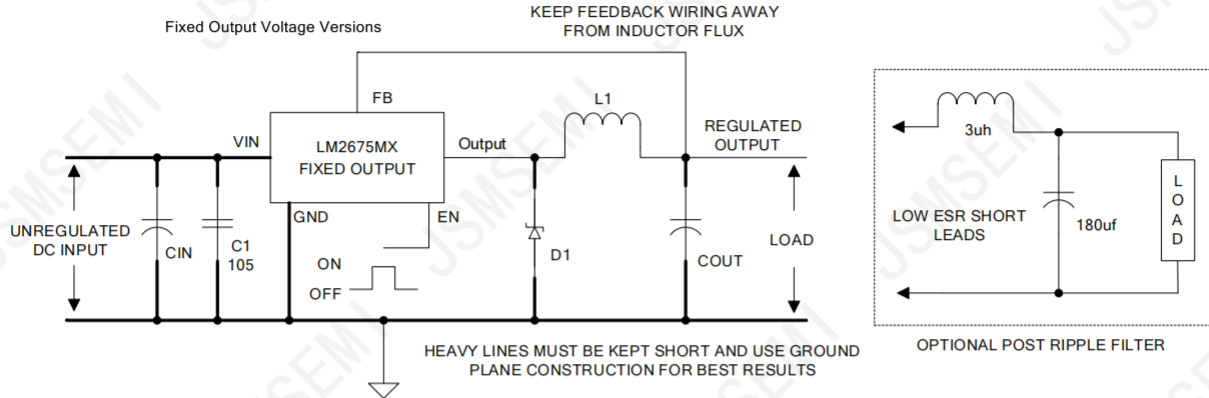
$T_a = 25^\circ\text{C}$; unless otherwise specified.

Symbol	Parameter	Test Condition	Min.	Typ.	Max.	Unit
System parameters test circuit figure8						
VOUT	Output Voltage	Vin = 15V to 40V, Iload=0.1A to 1.0A	11.52	12	12.48	V
η	Efficiency	Vin=25V, Vout=12V, Iout=1.0A	-	90	-	%

LM2675MX-ADJ Electrical Characteristics

$T_a = 25^\circ\text{C}$; unless otherwise specified.

Symbol	Parameter	Test Condition	Min.	Typ.	Max.	Unit
System parameters test circuit figure9						
VOUT	Output Voltage	Vin = 8V to 40V Iload=0.1A to 1.0A	1.193	1.23	1.267	V
η	Efficiency	Vin=12V, Vout=5V, Iout=1.0A	-	88	-	%

Test Circuit and Layout guidelines

Standard Test Circuits and Layout Guides

Select R1 to be approximately 1K, use a 1% resistor for best stability.

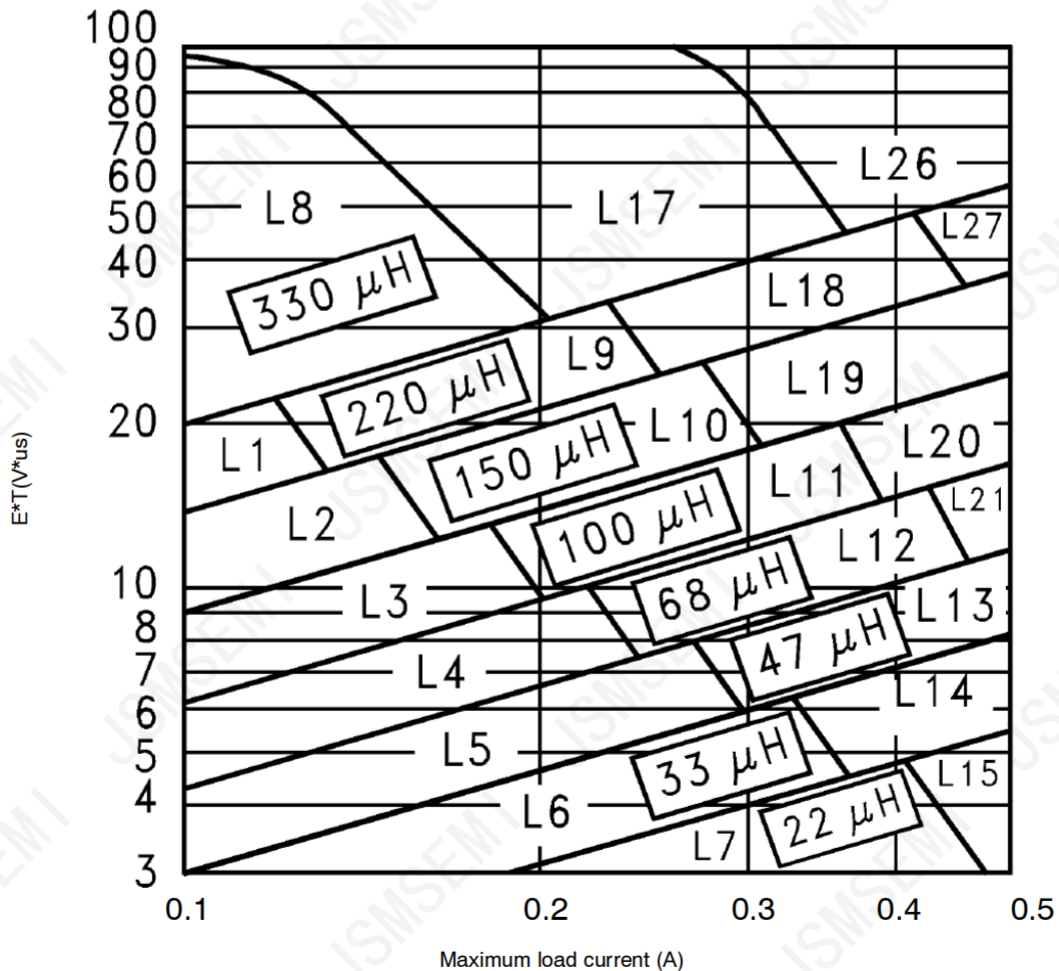
C1 and CFF are optional; in order to increase stability and reduce the input power line noise, C1 must be placed near to PIN1 and PIN3;

For output voltages greater than approximately 10V, an additional capacitor CFF is required. The compensation capacitor is typically between 100 pf and 33 nf, and is wired in parallel with the output voltage setting resistor, R2. It provides additional stability for high output voltage, low input-output voltages, and/or very low ESR output capacitors, such as solid tantalum capacitors.

$CFF=1/(31*1000*R2)$; This capacitor type can be ceramic, plastic, silver mica, etc. (Because of the unstable characteristics of ceramic capacitors made with Z5U material, they are not recommended.)

LM2594 Series Buck Regulator Design Procedure(Fixed Output)

Nichicon Pm Capacitors									
V_{in} (V)	Capacity/Voltage Range / ESR[μ F/V/m Ω]								
40	1000/10/60	680/250	470/10/140	470/10/140	330/10/160	220/25/110	220/110	180/25/140	180/35/100
35	1000/10/60	680/150	470/10/140	330/10/160	180/25/140	180/25/140	180/25/140	180/25/140	180/35/100
26	1000/10/60	470/10/140	330/10/160	220/25/110	180/25/140	180/25/140	100/25/240	180/25/140	
20	1000/10/60	470/10/140	220/25/110	220/25/110	100/25/240	100/25/240	100/25/240		
18	1000/10/60	470/10/140	220/25/110	220/25/110	100/25/240	100/25/240	100/25/240		
12	470/10/140	470/10/140	220/25/110	180/25/140	100/25/240				
10	470/10/140	470/10/140	220/25/110	180/25/140					
V_{out} (V)	2	3	4	6	9	12	15	24	28
C_{FF} (nF)	15	4.7	1.5	1.5	1.5	1.5	1	0.6	0.6



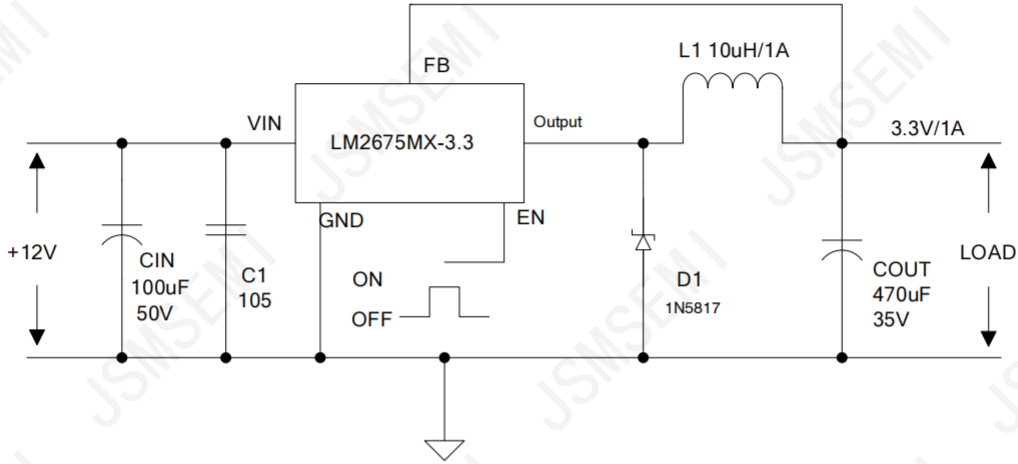
LM2594 Series Buck Regulator Design Procedure (Adjustable Output)

Output Voltage (V)	Through Hole Output Electrolytic			Surface Mount Output Capacitor		
	Panasonic HFQ Series (uF/V)	Nichicon PL Series (uF/V)	Feedforward Capacitor	AVX TPS Series (uF/V)	Sprague 595D Series (uF/V)	Feedforward Capacitor
2	820/35	820/35	33nF	330/6.3	470/4	33nF
4	560/35	470/35	10nF	330/6.3	390/6.3	10nF
6	470/25	470/35	3.3nF	220/10	330/10	3.3nF
9	330/25	330/25	1.5nF	100/16	180/16	1.5nF
12	330/25	330/25	1nF	100/16	180/16	1nF
15	220/25	220/35	680pF	68/20	120/20	680pF
24	220/35	150/35	560pF	33/25	33/25	220pF
28	100/50	100/50	390pF	10/35	15/50	220pF

Schottky Diode Selection Table

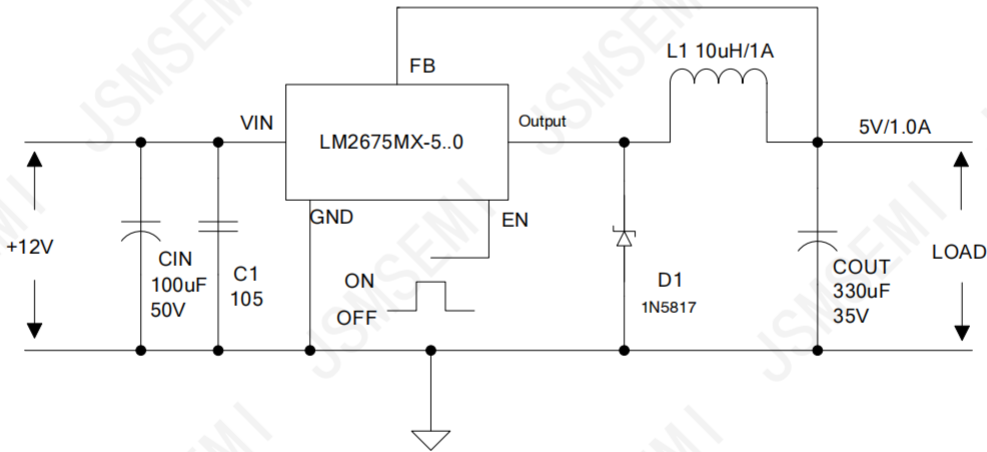
V _R	1A Diodes			
	Surface Mouns		Through Hole	
	Schottky	Ultra Fast Recovery	Schottky	Ultra FastRecovery
20 V	MBRS140	All of these diodes are rated to at least 60 V. MURS120 10BF10	1N5817	All of these diodes are rated to at least 60 V.MUR120 HER101 11DF1
30 V	10BQ040		SR102	
40 V	10MQ040		1N5818	
50 V or more	MBRS160		SR103	
	10BQ050		11DQ03	
	10MQ060		1N5819	
	MBRS1100		SR104	
	10MQ090		11DQ04	
	SGL41-60		SR105	
	SS16		MBR150	
	MBRS140	11DQ05		
	10BQ040	MBR160		

Typical System Application for 3.3V Version



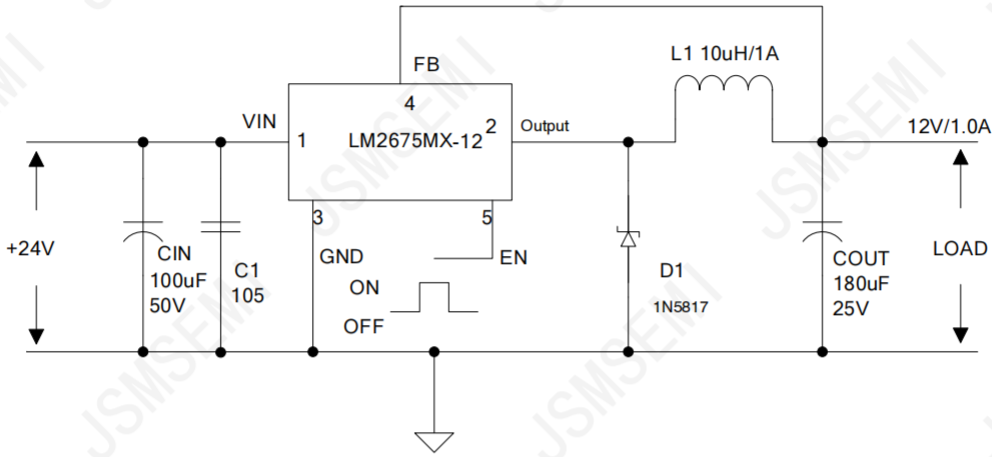
LM2675MX-3.3 System Parameters Test Circuit

Typical System Application for 5V Version



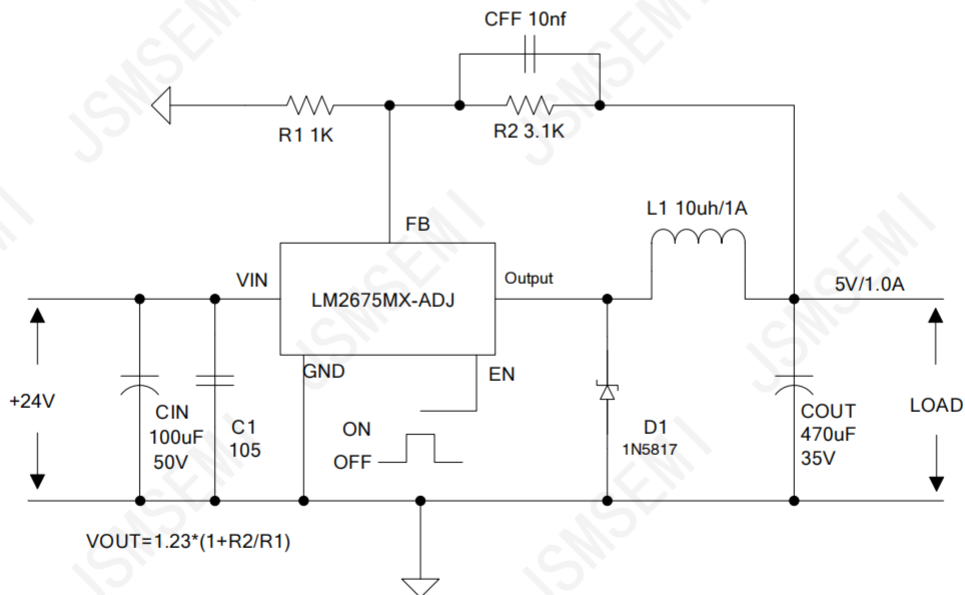
LM2675MX-5.0 System Parameters Test Circuit

Typical System Application for 12V Version



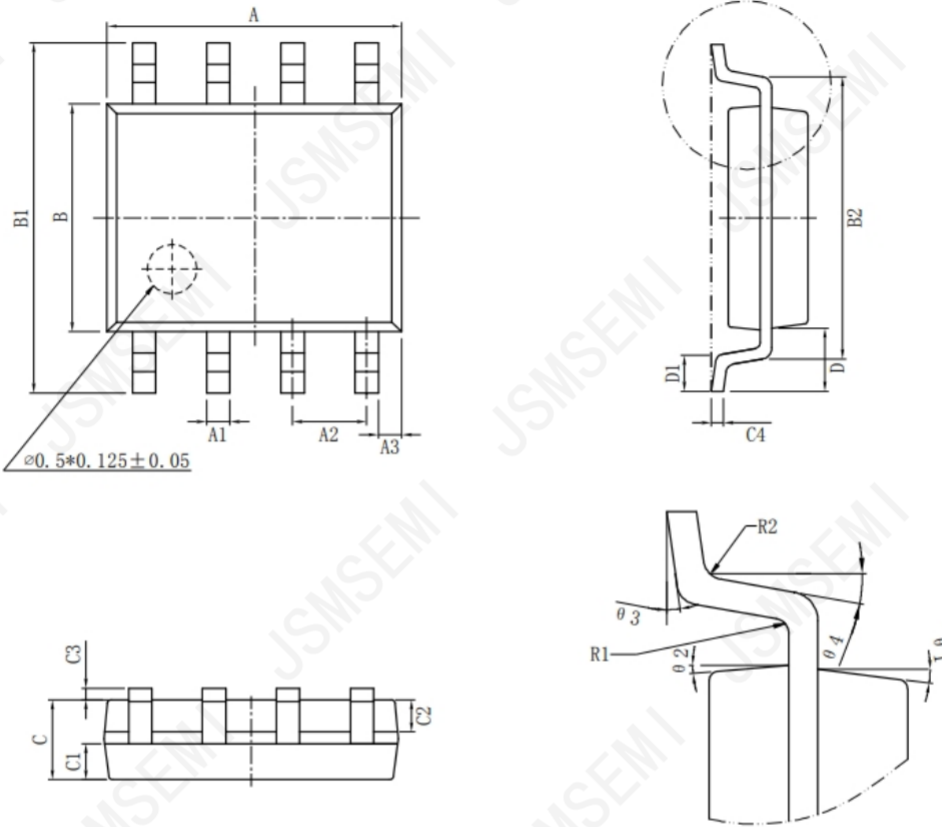
LM2675MX-12 System Parameters Test Circuit

Typical System Application for ADJ Version



LM2675MX-ADJ System Parameters Test Circuit

SOP8L Package Outline Dimensions



标注	尺寸	MIN (mm)	MAX (mm)	标注	尺寸	MIN (mm)	MAX (mm)
A		4.80	5.00	C3		0.05	0.20
A1		0.356	0.456	C4		0.203	0.233
A2		1.27TYP		D		1.05TYP	
A3		0.345TYP		D1		0.40	0.80
B		3.80	4.00	R1		0.20TYP	
B1		5.80	6.20	R2		0.20TYP	
B2		5.00TYP		$\theta 1$		17° TYP4	
C		1.30	1.60	$\theta 2$		13° TYP4	
C1		0.55	0.65	$\theta 3$		0° ~ 8°	
C2		0.55	0.65	$\theta 4$		4° ~ 12°	

Revision History

Rev.	Change	Date
V1.0	Initial version	2/23/2024

Important Notice

JSMSEMI Semiconductor (JSMSEMI) PRODUCTS ARE NEITHER DESIGNED NOR INTENDED FOR USE IN MILITARY AND/OR AEROSPACE, AUTOMOTIVE OR MEDICAL DEVICES OR SYSTEMS UNLESS THE SPECIFIC JSMSEMI PRODUCTS ARE SPECIFICALLY DESIGNATED BY JSMSEMI FOR SUCH USE. BUYERS ACKNOWLEDGE AND AGREE THAT ANY SUCH USE OF JSMSEMI PRODUCTS WHICH JSMSEMI HAS NOT DESIGNATED FOR USE IN MILITARY AND/OR AEROSPACE, AUTOMOTIVE OR MEDICAL DEVICES OR SYSTEMS IS SOLELY AT THE BUYER' S RISK.

JSMSEMI assumes no liability for application assistance or customer product design. Customers are responsible for their products and applications using JSMSEMI products.

Resale of JSMSEMI products or services with statements diferent from or beyond the parameters stated by JSMSEMI for that product or service voids all express and any implied warranties for the associated JSMSEMI product or s ervice. JSMSEMI is not responsible or liable for any such statements.

JSMSEMI All Rights Reserved. Information and data in this document are owned by JSMSEMI wholly and may not be edited, reproduced, or redistributed in any way without the express written consent from JSMSEMI.

Any and all information described or contained herein are subject to change without notice due to product/technology improvement, etc. When designing equipment, refer to the "Delivery Specification" for the JSMSEMI product that you intend to use.

For additional information please contact Kevin@jsmsemi.com or visit www.jsmsemi.com