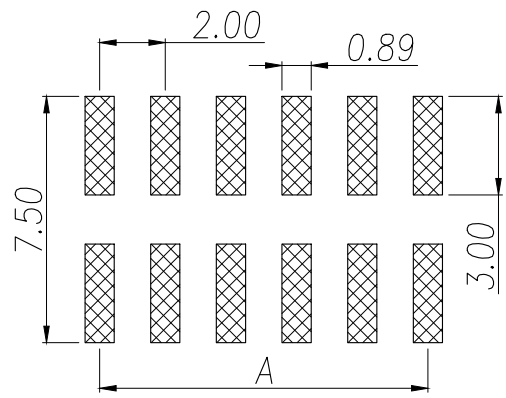
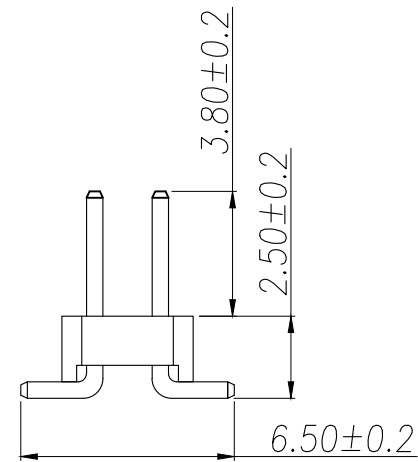
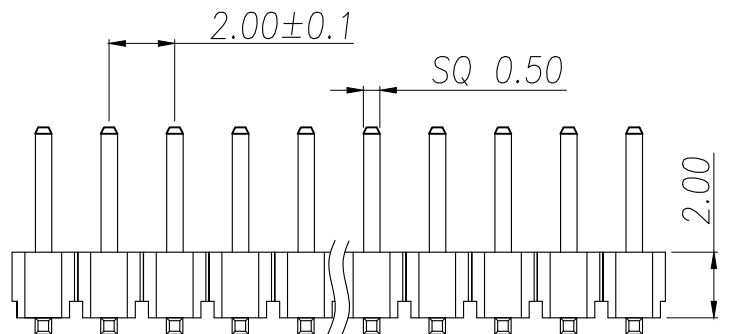


**SPECIFICATIONS**  
 Current Rating: 1.5 Amps  
 Insulation Resistance: 1000M $\Omega$  Min  
 Contact Resistance: 20m $\Omega$  Max  
 Withstanding Voltage: AC 500V  
 Operation Temperature: -40° to +105°  
 Contact Material: Brass  
 Standard: PA6T  
 Insulator Material: Polyester(UL 94V-0)  
 Contact Plating: Gold Flash  
 Max.Processing Temp: 240°C for 30-60seconds  
 (260°C for 5seconds)

P/N	PIN	DIM.A	DIM.B
XY-PZ200VS-12-01P	2*1	0.00	2.00
XY-PZ200VS-12-02P	2*2	2.00	4.00
XY-PZ200VS-12-03P	2*3	4.00	6.00
XY-PZ200VS-12-04P	2*4	6.00	8.00
XY-PZ200VS-12-05P	2*5	8.00	10.00
XY-PZ200VS-12-06P	2*6	10.00	12.00
XY-PZ200VS-12-07P	2*7	12.00	14.00
XY-PZ200VS-12-08P	2*8	14.00	16.00
XY-PZ200VS-12-09P	2*9	16.00	18.00
.....	.....	.....	.....
XY-PZ200VS-12-40P	2*40	(PIN-1)x2.0	(PIN)x2.0



RECOMMEND P.C.B LAYOUT  
 PCB TOLERANCE: ±0.05 (TOP VIEW)

DIMENSION IN mm		厦门市辛译精密电子有限公司 Xiamen XinYi Xyconn Electronics Co.,Ltd			
TOLERANCE UNLESS OTHERWISE SPECIFIED		APR.	Alex	TITLE: 2.0PH H2.0 2xnPin SMT PC6.5 PA3.8 PB2.5 L8.0 6T	
.X±0.35	X.*± 5'	CHK.	Jack	DWG NO. XY-PZ200VS-12-NP	
.XX±0.25	.X*± 1	DRA.	Can	PROJECT:  CUSTOMER DRAWING	
.XXX±0.2	.XX*± 0.5	SIZE	A4	SCALE	1:1
		SHEET	1/1	REV.	A